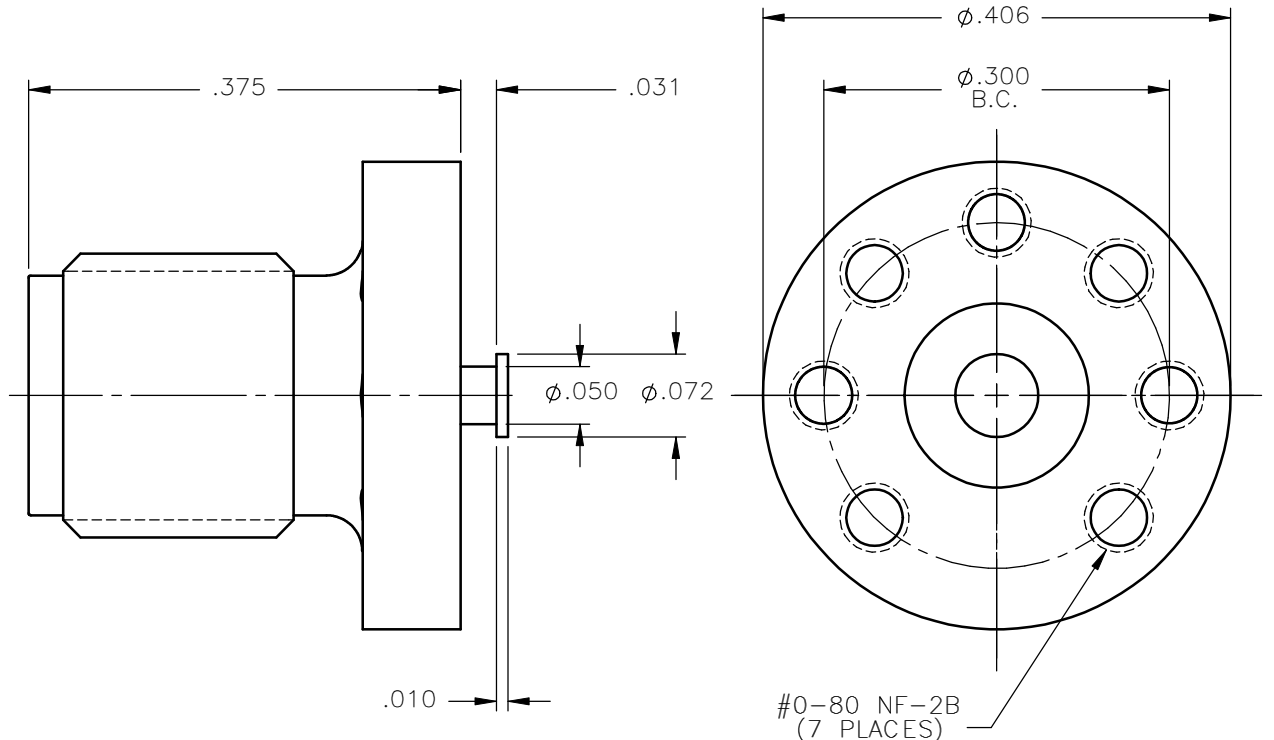


REVISIONS			
REV.	DESCRIPTION	DATE	APPROVED
A	INITIAL RELEASE	01/31/11	A.D.M.




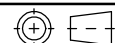
NOTES:

MATERIALS:

1. BODY = STAINLESS STEEL PER ASTM A582, ALLOY 303, CONDITION "A".
2. INSULATOR = VIRGIN WHITE TEFLON PER ASTM D1710, GRADE 1, TYPE I, CLASS "B".
3. CONTACT = BERYLLIUM COPPER PER ASTM B196, ALLOY C17300, TEMPER TD04.

FINISHES:

1. BODY = PASSIVATE PER QQ-P-35, TYPE VI.
2. CONTACT = GOLD PLATE PER MIL-G-45204, TYPE II, CLASS 1, GRADE C, OVER .00010 TO .00020 STRESS FREE SULFAMATE NICKEL PER QQ-N-290.

UNLESS OTHERWISE SPECIFIED DIMENSIONS ARE IN INCHES TOLERANCES ON	DWN:	DATE	 Property of Radiall This document cannot be reproduced or communicated to a third party without prior written permission of RADIALL.	
	A.D.M.	01/31/11		
	CHKD:	DATE		
DECIMAL	ANGLE	D.N.	01/31/11	SMA STRAIGHT JACK TO STRIPLINE NON-CAPTIVE CONTACT
		APVD:	DATE	
		J.M.	01/31/11	SIZE A FSCM NO. 19505 DWG NO. 9610-9213-001 REV A
REFERENCE:	MATERIALS & FINISHES:		SCALE 4:1	THIRD ANGLE PROJECTION 
ORIGINATED: A.D.M. DATE: 01/31/11	SEE NOTES			SHEET 1 OF 1

9610-9213-001