

# UTC-312

## 11.6" Ubiquitous Touch Computer UTC-312B with Intel® Atom™ D510 UTC-312D with Intel® Bay Trail J1900



### Features

- 43 mm thin all-in-one computer with high performance and low power consumption
- Fanless design provides quiet operation
- Provides natural viewing experience with 16:9 display
- True flat touchscreen, easy to clean
- Front panel complies with IP65 protection standard
- VESA 75 mm standard mounting holes for varied mounting demands
- Instant function key access via programmable touch hotkeys on front panel
- Rich peripheral options - Handset/ RFID/ Smart card reader/ Barcode Scanner/ MSR
- Supports Power over Ethernet function (PoE)
- Supports Windows, Android and Linux operating systems



### Introduction

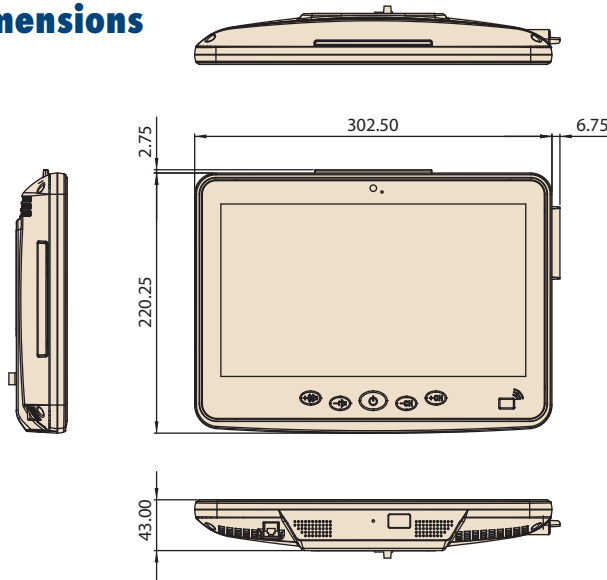
UTC-312 is the multi-purpose all-in-one computing system which equipped with wide format, touch based LCD panel and supports Windows, Android and Linux operating systems. It is easy to integrate key peripherals and display systems for diversified self-service and interactive signage deploy in different application areas. UTC series touch panel computers are the best investments to enhance user satisfaction, further brand equity, and maximize business profits. It is an exceptional choice for applications in all business sectors, such as retail stores, banks, hospitals, and medical centers.

### Specifications

|                 |                        | UTC-312B  | UTC-312D  |
|-----------------|------------------------|---|---|
| Hardware        | CPU                    | Intel Atom D510 (Default)/D525 (By Request) 1.6 GHz Processor | Intel BayTrail J1900  |
|                 | Front Side Bus         | Supports FSB 667 MHz  | Supports 2.0 GHz (Quad-Core)                                      |
|                 | System Chipset         | Intel D510 + ICH8M  | J1900   |
|                 | Memory                 | up to 2 GB  | up to 8 GB  |
|                 | Storage                | CF or SATA HDD interface                                      | 1 x 2.5" SATA SSD or mSATA  |
|                 | Camera                 | 5 megapixel CCD Module  | 5 megapixel CCD Module, Optional                                  |
|                 | Bus Expansion          |   | Mini PCIe x 2   |
| Display         | Size                   | 11.6" W TFT   | 11.6" W TFT   |
|                 | Max Resolution         | 1366 x 768  | 1366 x 768  |
|                 | Luminance              | 200 cd/m <sup>2</sup>   | 200 cd/m <sup>2</sup>   |
|                 | Contrast Ratio         | 500:1   | 500:1   |
| Touchscreen     | Type                   | Analog Resistive  | Projected Capacitive / Analog Resistive (By Request)              |
|                 | Light Transmission     | 80%   | 90%   |
|                 | Durability             | 30 million  | 30 million  |
| I/O Ports       | USB Port               | 3 (side x 2, rear x 1)  | 2 x USB 2.0 / 1 x USB 3.0   |
|                 | Smart Card Reader      |   | 1 (Removeable with Insert sealed by plastic changecord), Optional |
|                 | Line out               |   | 1   |
|                 | Microphone in          |   | 1   |
|                 | COM Port (Isolated)    |   | 1   |
| Audio           | Speaker                |   | 2 watt x 2  |
|                 | Microphone             |   | 1   |
| Network         | LAN                    | 10/100/1000 RJ-45 x 1   | 10/100/1000 RJ-45 x 1 (w/ PoE, IEEE 802.3AT, Optional)            |
|                 | WLAN                   | 802.11 b/g/n  | 802.11 a/b/g/n, BT 4.0, Optional                                  |
| Emergency Alarm | Hotkey                 |   | 5 programmable touch buttons with 2 types of artwork              |
|                 | LED Light Indicator    |   | 1   |
| Bus Expansion   | mini-PCI Slot          | 2 (1x Full Size, 1x Half Size)                                | 2 (1x Full Size, 1x Half Size)                                    |
| Software        | Operating System       | Support WES, WES7, Win7 / Linux: Fedora 13, Ubuntu            | Support WES7/8, Win7/8, Linux: Fedora 13, Ubuntu, Android 4.4     |
|                 | Mounting               | VESA 75 x 75 mm   | VESA 75 x 75 mm   |
| Mechanical      | Dimensions (W x H x D) | 302.5 x 220.25 x 43 mm  | 302.5 x 220.25 x 43 mm  |
|                 | Weight                 | 2.3 kg  | 2.3 kg  |
|                 |                        |   |   |
| Options         | TV Tuner               | Yes, Optional   | Yes, Optional (Digital / Analog Hybrid)                           |
|                 | Handset                | Yes, Optional   | Yes, Optional   |
|                 | Barcode Scanner        | Yes, Optional. 2D type  | Yes, Optional. 2D type  |
|                 | Table Stand            | Yes, Optional   | Yes, Optional   |
|                 | RFID                   | Yes   | Yes, Optional   |
| Power Supply    | AC/DC Adapter          |   |   |
|                 | Input Voltage          | 100 ~ 240 V <sub>AC</sub> , 1.1 ~ 0.45 A @ 47~ 63 Hz          | 100 ~ 240 V <sub>AC</sub> , 1.1 ~ 0.45 A @ 47~ 63 Hz              |
|                 | Output Voltage         | IT: 19 V <sub>DC</sub> , 3.42 A MAX                           | IT: 19 V <sub>DC</sub> , 3.42 A MAX                               |
| Environment     | Operating Temperature  | 0 ~ 40° C   | 0 ~ 40° C   |
|                 | IP Rating              | Front Panel: IP65; IPX1 All around                            | Front Panel: IP65; IPX1 All around                                |
|                 | Vibration              | 1 G   | 1 G   |
|                 | Shock                  | 50 G  | 50 G  |
|                 | Certifications         | CE, FCC, CCC, CB, ITE UL, EN 60950                            | CE, FCC, CCC, CB, ITE UL, EN 60950                                |

## Dimensions

Unit: mm



### Default Standard P-CAP T/S Buttons Artwork (5-key + 1 RFID Icon) :



### Optional\* Res. Or P-CAP T/S Buttons Artwork for Healthcare / Bedside. (5-key + 1 RFID Icon) :



\*by Project Inquiry

## Ordering Information

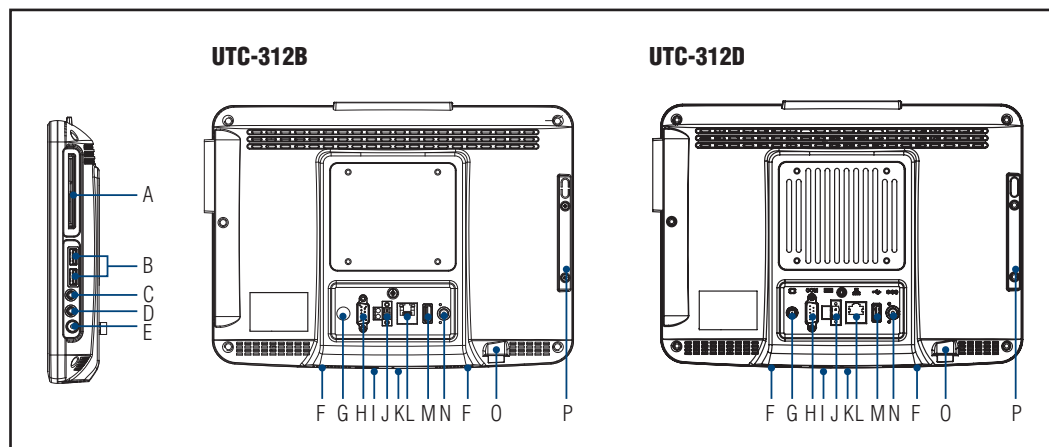
| Part No.        | Part No. Description  |
|-----------------|---|
| UTC-312DR-ATB1E | 11.6" W Full-Flat, Baytail, Res. T/S, Black, w/ 4G RAM, 32G SSD & ITE adapter   |
| UTC-312DP-ATW2E | 11.6" W Full-Flat, Baytail, PCAP T/S, White, w/ Full config (4G RAM, 64G SSD, Smart Card Reader, RFID Reader, 5M Camera, Wi-Fi + Bluetooth), PoE, & ITE adapter |
| UTC-312BR-ATW1E | 11.6" W Full-Flat, Atom D510, Res. T/S, White, w/ Full config (1G RAM, 500G HDD, Wi-Fi, 5M Camera, RFID Reader) & ITE adapter                                   |

## Accessories

| Part Number    | Description   |
|----------------|---|
| UTC-312-HSKE   | Handset Kit for UTC-312   |
| *UTC-312-MSR0E | UTC series standard accessory: MSR Add-on Module                    |
| *UTC-312-UST0E | UTC series standard accessory: US ATSC/NTSC Hybrid Tuner            |
| *UTC-312-EUT0E | UTC series standard accessory: EU DVB-T Analog/Digital Hybrid Tuner |

\*Identify as optional function

## Fully- Integrated I/O



- A Smart Card Insert Tray
- B USB 2.0 Port \*2
- C MIC In
- D Line Out
- E Power Switch
- F Speaker x 2
- G Reserved port
- H Isolated COM Port
- I Barcode Scanner (optional)
- J 2-PIN Connector
- K MIC
- L RJ-45 LAN port
- M USB 2.0/USB 3.0 (UTC-312D)
- N DC Inlet
- O RJ-12 Handset Connector
- P Handset/MSR Dock