





THIS DRAWING IS UNPUBLISHED. RELEASED FOR PUBLICATION 2000  
 © COPYRIGHT 2000 BY LL RIGHTS RESERVED.

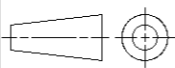
LOC	DIST	REVISIONS			
P	LTR	DESCRIPTION	DATE	DWN	APVD
		B3	REVISED PER ECO-11-005027	06APR11	RK HMR


CROSS REFERENCE LIST / UEBERSETZUNGSLISTE

TE CONNECTIVITY PART NO.	OLD PART NUMBER	SEE SHEET		TE CONNECTIVITY PART NO.	OLD PART NUMBER	SEE SHEET
1 393 546 - 1	C42315-A1347-A101	2		 <del>1 - 1 393 546 - 1</del>	C42315-A1347-A112	2
1 393 546 - 2	C42315-A1347-A102	2		 <del>1 - 1 393 546 - 2</del>	C42315-A1347-A116	2
1 393 546 - 3	C42315-A1347-A103	2		1 - 1 393 546 - 3	C42315-A1347-A124	2
1 393 546 - 4	C42315-A1347-A104	2		1 - 1 393 546 - 4	C42315-A1347-A201	3
1 393 546 - 5	C42315-A1347-A105	2		1 - 1 393 546 - 5	C42315-A1347-A202	3
 <del>1 393 546 - 6</del>	C42315-A1347-A106	2		1 - 1 393 546 - 6	C42315-A1347-A203	3
1 393 546 - 7	C42315-A1347-A107	2		1 - 1 393 546 - 7	C42315-A1347-A204	3
1 393 546 - 8	C42315-A1347-A108	2		 <del>1 - 1 393 546 - 8</del>	C42315-A1347-A205	3
1 393 546 - 9	C42315-A1347-A109	2		1 - 1 393 546 - 9	C42315-A1347-A208	3
1 - 1 393 546 - 0	C42315-A1347-A110	2		2 - 1 393 546 - 0	C42315-A1347-A212	3

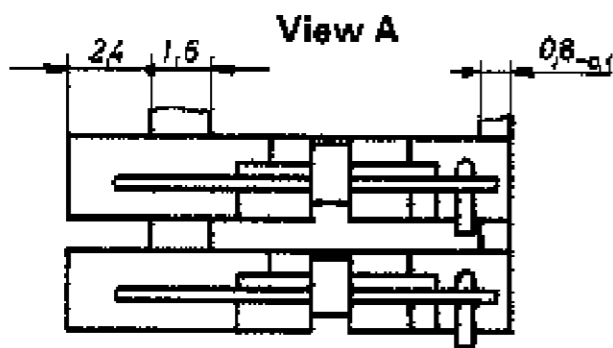
ERSETZT EC-ZEICHNUNG C42315-A1347-A1\*\*\*-27 BL. 1 UND 2  
 UND C42315-A1347-A2\*\*\*-27 BL. 1

 OBSOLETE PARTS: OBSOLETE CIS STREAMLINING PER D.RENAUD/D.SINISI

DIMENSIONS:	TOLERANCES UNLESS OTHERWISE SPECIFIED:
mm	
	0 PLC ±
	1 PLC ±
	2 PLC ±
	3 PLC ±
	4 PLC ±
	ANGLES ±°
MATERIAL -	FINISH -

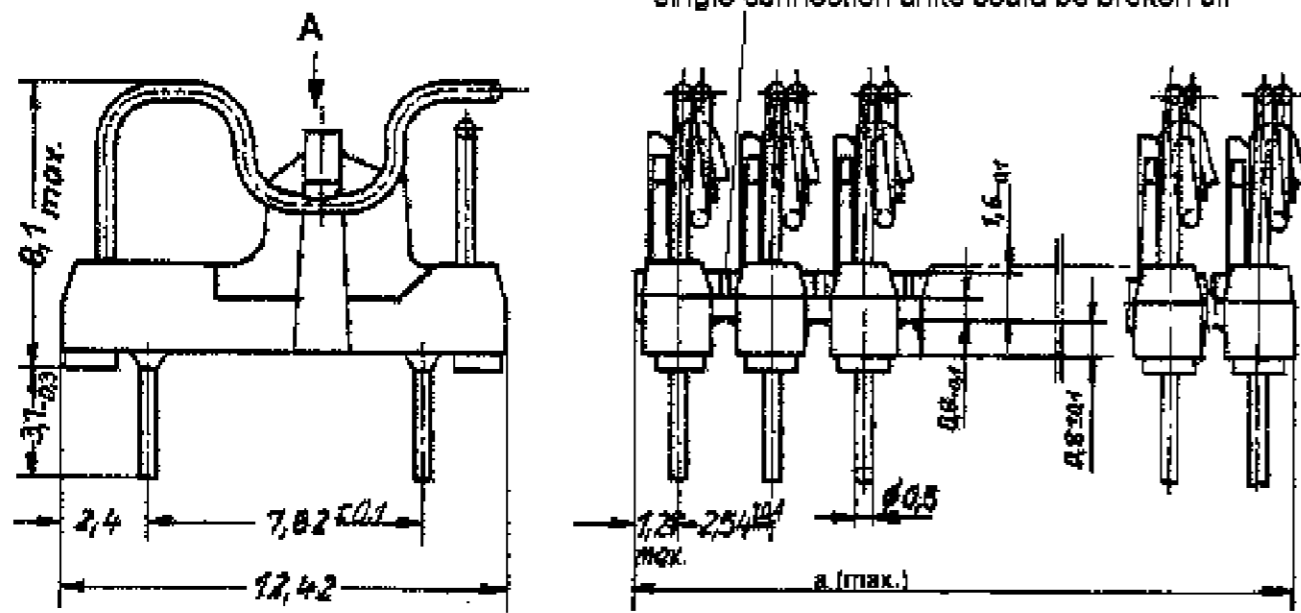
DWN 24 JAN 2001 G. ACKERMANN	
CHK M. SCHLEIHAUF	
APVD G. FELDMAYER	
PRODUCT SPEC	
APPLICATION SPEC	NAME
WEIGHT -	SIZE A3
CUSTOMER DRAWING	CAGE CODE 00779
SCALE 1:1	DRAWING NO C=1393546-1
SHEET 1 OF 3	RESTRICTED TO
REV B3	

LOC	DIST	REVISIONS					
		P	LTR	DESCRIPTION	DATE	DWN	APVD
A1	-	-	-	SEE SHEET 1	-	-	-



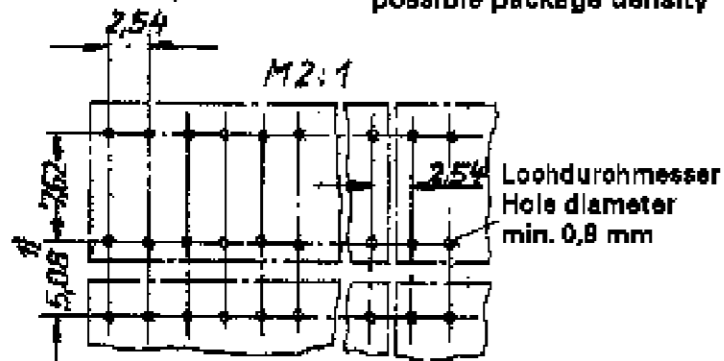
1) Beim Kleinmaß 5,08 müssen die Schalter spiegelbildlich montiert werden  
In the case of dim. 5,08 the switches have to be mounted rear side to rear side

Sollbruchstellen, einzelne Verbindungen abtrennbar  
Predetermined breaking point, single connection units could be broken off



Rasterlochung u. Packungsdichte

Mounting holes and possible package density



Schalterschema (Beispiel: B Verbindungsmöglichkeit)



Circuit schematic (example: B connections)



2

2

2

TE CONNECTIVITY PART NO.	OLD PART NUMBER	DIMENSION a	POSITION NUMBER POLZAHL
1 393 546 - 1	C 42315-A1347-A101	2.54	1
1 393 546 - 2	C 42315-A1347-A102	5.08	2
1 393 546 - 3	C 42315-A1347-A103	7.62	3
1 393 546 - 4	C 42315-A1347-A104	10.16	4
1 393 546 - 5	C 42315-A1347-A105	12.7	5
<del>1 393 546 - 6</del>	<del>C 42315-A1347-A106</del>	<del>15.24</del>	<del>6</del>
1 393 546 - 7	C 42315-A1347-A107	17.78	7
1 393 546 - 8	C 42315-A1347-A108	20.32	8
1 393 546 - 9	C 42315-A1347-A109	22.86	9
1 - 1 393 546 - 0	C 42315-A1347-A110	25.4	10
<del>1 - 1 393 546 - 1</del>	<del>C 42315-A1347-A112</del>	<del>30.48</del>	<del>12</del>
<del>1 - 1 393 546 - 2</del>	<del>C 42315-A1347-A116</del>	<del>40.64</del>	<del>16</del>
1 - 1 393 546 - 3	C 42315-A1347-A124	60.96	24

MATERIAL: PBTP-GF30; COLOUR: NATURE

ERSETZT EC-ZEICHNUNG C42315-A1347-A1\*\*-\*-27 BL. 1 UND 2

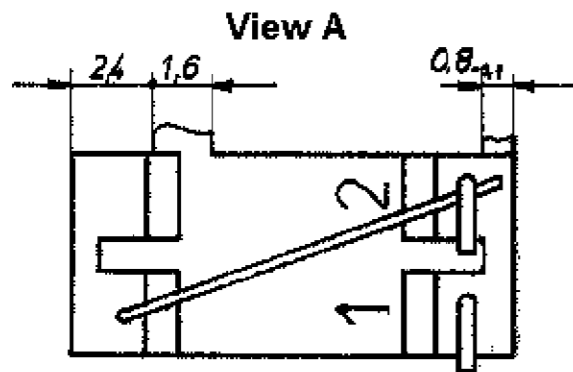
2 OBSOLETE PARTS: OBSOLETE CIS STREAMLINING PER D.RENAUD/D.SINISI

DIMENSIONS:	TOLERANCES UNLESS OTHERWISE SPECIFIED:
mm	
	PL ±
	1 P/C ±
	2 P/C ±0.15
	3 P/C ±
	PL ±
	ANGLES ±1°
MATERIAL	FINISH

DWN G. ACKERMANN 24 JAN 2001		TE Connectivity	
CHK M. SCHLEIHAUF		NAME DIPFIX - SCHALTER DIPFIX - SWITCH	
APVD G. FELDMEIER	PRODUCT SPEC		RESTRICTED TO
APPLICATION SPEC	SIZE A3	CAGE CODE 00779	DRAWING NO C=1393546-1
WEIGHT	SCALE 5:1, 2:1		SHEET 2 OF 3
CUSTOMER DRAWING		REV B3	

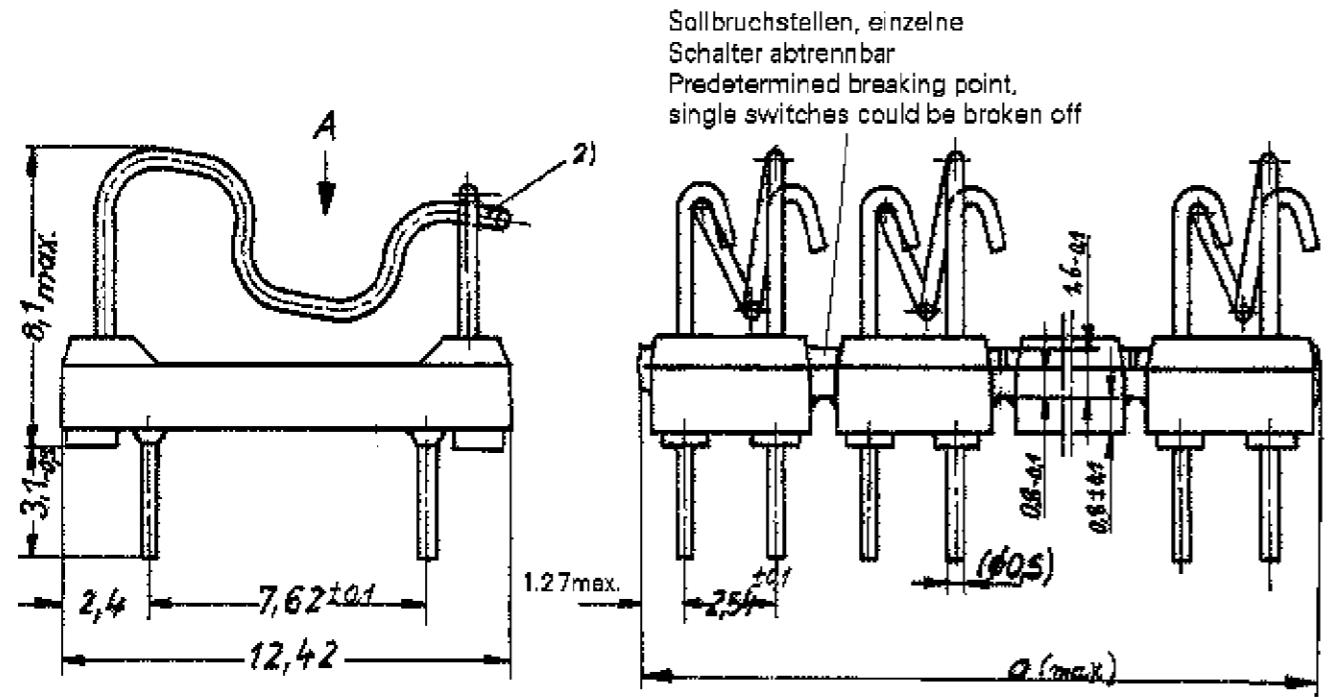
THIS DRAWING IS UNPUBLISHED. RELEASED FOR PUBLICATION 2000  
 © COPYRIGHT 2000 BY ALL RIGHTS RESERVED.

LOC	DIST	REVISIONS					
		P	LTR	DESCRIPTION	DATE	DWN	APVD
A1	-	-	-	SEE SHEET 1	-	-	-



1) Beim Kleinmaß 5,08 müssen die Schalter spiegelbildlich montiert werden  
 In the case of dim. 5,08 the switches have to be mounted rear side to rear side

2) ausgeliefert in ausgehaktm Zustand  
 delivered in unlocked condition

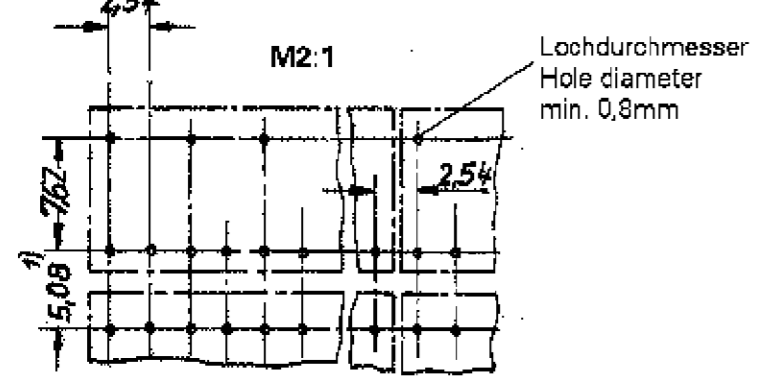


Sollbruchstellen, einzelne Schalter abtrennbar  
 Predetermined breaking point, single switches could be broken off

2

TE CONNECTIVITY PART NO.	OLD PART NUMBER	DIMENSION a	POSITION NUMBER POLZAHL
1 - 1 393 546 - 4	C42315-A1347-A201	5.08	1
1 - 1 393 546 - 5	C42315-A1347-A202	10.16	2
1 - 1 393 546 - 6	C42315-A1347-A203	15.24	3
1 - 1 393 546 - 7	C42315-A1347-A204	20.32	4
1 - 1 393 546 - 8	C42315-A1347-A205	25.4	5
1 - 1 393 546 - 9	C42315-A1347-A208	40.64	8
2 - 1 393 546 - 0	C42315-A1347-A212	60.96	12

Rasterlochung und Packungsdichte  
 Mounting holes and possible package density



Schaltschema (Beispiel: 4 Umschalter)



ERSETZT EC-ZEICHNUNG C42315-A1347-A2\*\*\*-27 BL.1

2 OBSOLETE PARTS: OBSOLETE CIS STREAMLINING PER D.RENAUD/D.SINISI

DIMENSIONS:	TOLERANCES UNLESS OTHERWISE SPECIFIED:
mm	
	0 PLC ±
	1 PLC ±
	2 PLC ±
	3 PLC ±
	4 PLC ±
	ANGLES ±°
MATERIAL	FINISH

DWN	24 JAN 2001
CHK	G. ACKERMANN
APVD	M. SCHLEIHAUF
PRODUCT SPEC	G. FELDMEIER
APPLICATION SPEC	-
WEIGHT	-
CUSTOMER DRAWING	

**TE** TE Connectivity

NAME: DIPFIX - SCHALTER  
DIPFIX - SWITCH

SIZE	CAGE CODE	DRAWING NO	RESTRICTED TO
A3	00779	C=1393546-1	-

SCALE: 5:1, 2:1 SHEET 3 OF 3 REV B3