

Customer Information Sheet

DRAWING No.: M20-996XXXX

IF IN DOUBT - ASK



NOT TO SCALE

THIRD ANGLE PROJECTION

ALL DIMENSIONS IN mm

NOTES:

1. RECOMMENDED PCB MOUNTING HOLE SIZE = $\varnothing 1.02 \pm 0.05$ mm.
2. ALL TOLERANCES ARE ± 0.25 mm UNLESS OTHERWISE STATED.
3. FOR COMPLETE SPECIFICATION, SEE COMPONENT SPECIFICATION C001XX (LATEST ISSUE).

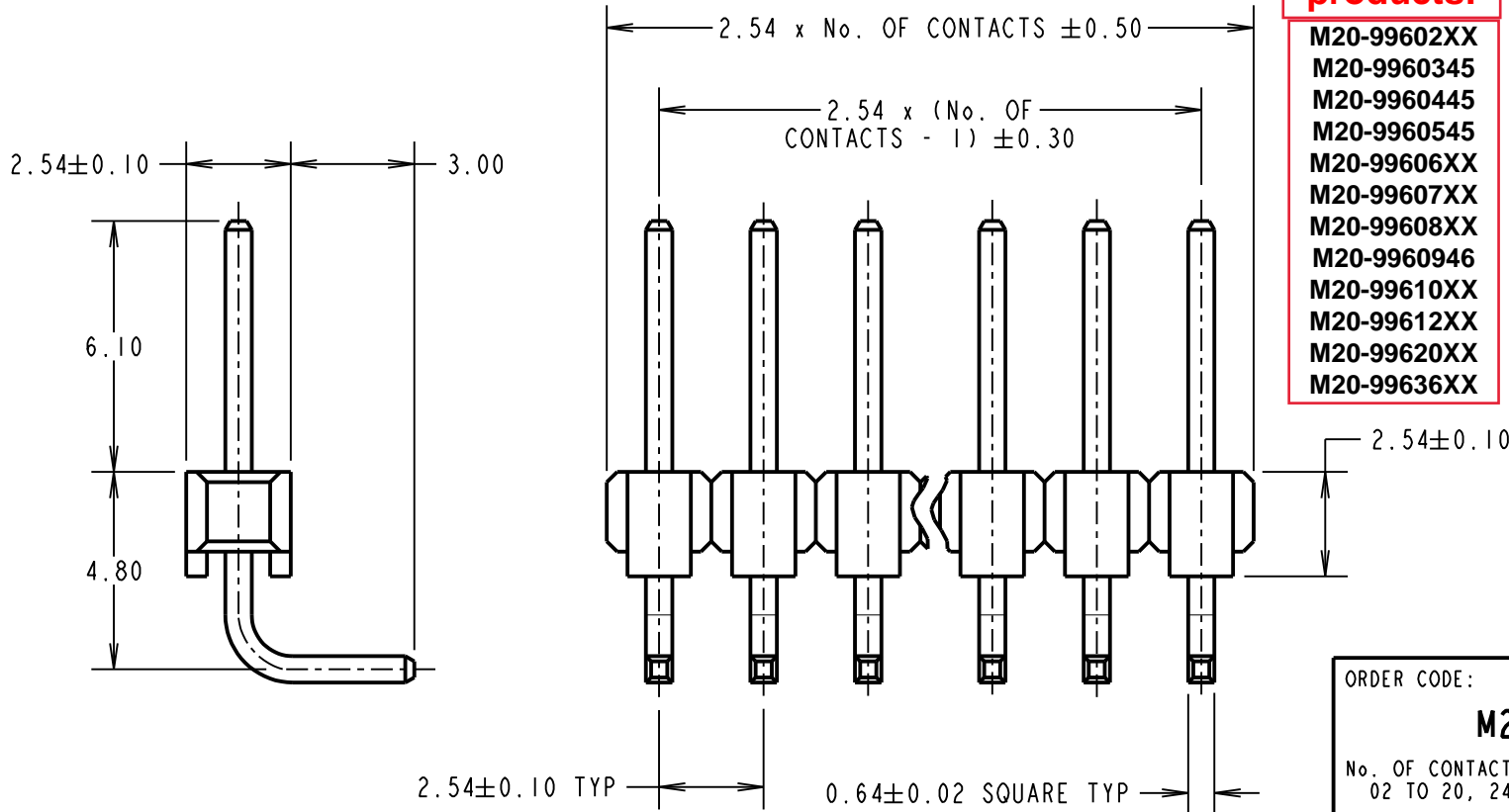
SPECIFICATION:

MATERIAL:
 MOULDING = PA6T UL94V-0, BLACK
 PINS = BRASS
FINISH:
 PINS (OVER NICKEL):
 45 = GOLD
 46 = 100% TIN
ELECTRICAL:
 CURRENT RATING = 3A MAX
 CONTACT RESISTANCE = $20m\Omega$ MAX
 INSULATION RESISTANCE = $1,000M\Omega$ MIN
 DIELECTRIC STRENGTH = 500V AC
MECHANICAL:
 DURABILITY = 300 OPERATIONS (GOLD),
 50 OPERATIONS (TIN)
ENVIRONMENTAL:
 TEMPERATURE RANGE = $-40^{\circ}C$ TO $+105^{\circ}C$
PACKING:
 BAG

Active products:

- M20-99602XX
- M20-9960345
- M20-9960445
- M20-9960545
- M20-99606XX
- M20-99607XX
- M20-99608XX
- M20-9960946
- M20-99610XX
- M20-99612XX
- M20-99620XX
- M20-99636XX

OBSOLETE
 All other size/finish combinations not listed above



ORDER CODE:
M20-996XXXX
 No. OF CONTACTS: _____
 02 TO 20, 24, 25, 36, 40
 FINISH: _____
 45 = GOLD
 46 = 100% TIN

MGP	24	17.12.18	21677
NAME	ISS.	DATE	C/NOTE
APPROVED: MGP			
CHECKED: SB			
DRAWN: J. CLAY			
CUSTOMER REF.:			
ASSEMBLY DRG:			

HARWIN

www.harwin.com
 technical@harwin.com

THIS DRAWING AND ANY INFORMATION OR DESCRIPTIVE MATTER SET OUT HEREON ARE CONFIDENTIAL AND COPYRIGHT PROPERTY OF THE HARWIN GROUP AND MUST NOT BE DISCLOSED, LOANED, COPIED OR USED FOR MANUFACTURING, TENDERING OR FOR ANY OTHER PURPOSE WITHOUT THEIR WRITTEN PERMISSION.

TOLERANCES
~~Y = ± 1 mm~~
~~X.X = ± 0.50 mm~~
~~X.XX = ± 0.10 mm~~
~~X.XXX = ± 0.01 mm~~
 ANGLES = $\pm 5^{\circ}$
 UNLESS STATED

MATERIAL:
 SEE ABOVE
FINISH: SEE ABOVE
S/AREA: mm²

TITLE: 2.54mm PITCH SIL HORIZONTAL PC TAIL PIN HEADER ASSEMBLY

DRAWING NUMBER:
M20-996XXXX

SHT
 2 OF 2