



SANYO Semiconductors

DATA SHEET

An ON Semiconductor Company

LV8416CB — Bi-CMOS LSI For DSC, and Cell Phone Camera Modules H-Bridge × 4-channel Motor Driver

Overview

The LV8416CB is an H-bridge×4-channel motor driver IC and is able to control 4 modes of forward, reverse, brake and standby.

This IC housed in a wafer level package (WLP) is optimum for use in a stepping motor driving system for DSC or a camera module of cell phones.

Functions

- Saturation drive H-bridge: 4-channels
- Various protection circuits (thermal protection, low voltage malfunction protection)

Specifications

Absolute Maximum Ratings at Ta = 25°C

Parameter	Symbol	Conditions	Ratings	Unit
Power supply voltage	V _{CC} max		6.0	V
Output peak current	I _O peak	Channels 1 to 4, t ≤ 10msec, ON-duty ≤ 20%	600	mA
Output continuous current	I _O max	Channels 1 to 4	400	mA
Allowable power dissipation	P _d max	Mounted on a circuit board*	1000	mW
Operating temperature	T _{opr}		-30 to +85	°C
Storage temperature	T _{stg}		-55 to +150	°C

- Specified circuit board : 60mm × 60mm × 1.7mm, glass epoxy two-layer board.

Recommended Operating Conditions at Ta = 25°C

Parameter	Symbol	Conditions	Ratings	Unit
Power supply voltage range	V _{CC} op		2.5 to 5.5	V
Logic input voltage range	V _{IN}		0 to V _{CC} +0.3	V
Input frequency	f _{IN}	IN1 to 8	to 100	kHz

■ Any and all SANYO Semiconductor Co.,Ltd. products described or contained herein are, with regard to "standard application", intended for the use as general electronics equipment (home appliances, AV equipment, communication device, office equipment, industrial equipment etc.). The products mentioned herein shall not be intended for use for any "special application" (medical equipment whose purpose is to sustain life, aerospace instrument, nuclear control device, burning appliances, transportation machine, traffic signal system, safety equipment etc.) that shall require extremely high level of reliability and can directly threaten human lives in case of failure or malfunction of the product or may cause harm to human bodies, nor shall they grant any guarantee thereof. If you should intend to use our products for applications outside the standard applications of our customer who is considering such use and/or outside the scope of our intended standard applications, please consult with us prior to the intended use. If there is no consultation or inquiry before the intended use, our customer shall be solely responsible for the use.

■ Specifications of any and all SANYO Semiconductor Co.,Ltd. products described or contained herein stipulate the performance, characteristics, and functions of the described products in the independent state, and are not guarantees of the performance, characteristics, and functions of the described products as mounted in the customer's products or equipment. To verify symptoms and states that cannot be evaluated in an independent device, the customer should always evaluate and test devices mounted in the customer's products or equipment.

SANYO Semiconductor Co., Ltd.

<http://semicon.sanyo.com/en/network>

LV8416CB

Electrical Characteristics at $T_a = 25^\circ\text{C}$, $V_{CC} = 5\text{V}$

Parameter	Symbol	Conditions	Ratings			Unit
			min	typ	max	
Standby mode current drain	Ist	IN1 to IN8 = "L"			1.0	μA
V_{CC} current drain	I_{CC1}	$V_{CC}=V_{IN1} = 3.3\text{V}$	40	80	160	μA
	I_{CC2}	$V_{CC}=V_{IN1} = 5.0\text{V}$	50	100	200	μA
V_{CC} low-voltage cutoff voltage	$V_{thV_{CC}}$		2.0	2.25	2.5	V
Low-voltage hysteresis voltage	V_{thHIS}		100	150	200	mV
Thermal shutdown temperature	TSD	Design guarantee value *	160	180	200	$^\circ\text{C}$
Thermal hysteresis width	ΔTSD	Design guarantee value *	10	30	50	$^\circ\text{C}$
Input pin						
Logic pin input current	IinL	$V_{IN} = 0\text{V}$, IN1 to IN8			1.0	μA
	IinH	$V_{IN} = 3.3\text{V}$, IN1 to IN8	8.3	16.5	33	μA
Logic input high-level voltage	Vinh	IN1 to IN8	$0.5 \times V_{CC}$			V
Logic input low-level voltage	Vinl	IN1 to IN8	$0.2 \times V_{CC}$			V
Input circuit current consumption	I_{CCin}	$V_{IN} = 3.3\text{V}$, power hit of IN1 to IN8 *1	30	80	250	μA
Motor driver						
Output on-resistance	RonU	$I_O = 100\text{mA}$, upper ON resistance		0.5	0.75	Ω
	RonD	$I_O = 100\text{mA}$, lower ON resistance		0.3	0.55	Ω
Output leakage current	I_{Oleak}				1.0	μA
Diode forward voltage	VD	$I_D = -100\text{mA}$	0.4	0.75	1.2	V
Turn-on time	Ton	Time of Input 50% \rightarrow Output 50% *2		0.10	0.50	μsec
Turn-off time	Toff	Time of Input 50% \rightarrow Output 50%		0.15	0.55	μsec
At the rise time	Tr	Time of Output 10% \rightarrow 90%		0.05	0.20	μsec
Standing fall time	Tf	Time of Output 90% \rightarrow 10%		0.05	0.20	μsec

*1: The input circuit current consumption in CMOS circuit composition of the input steps is generated though it is unquestionable for IC operation when impressing it to V_{IN} voltage that is lower than the V_{CC} voltage.

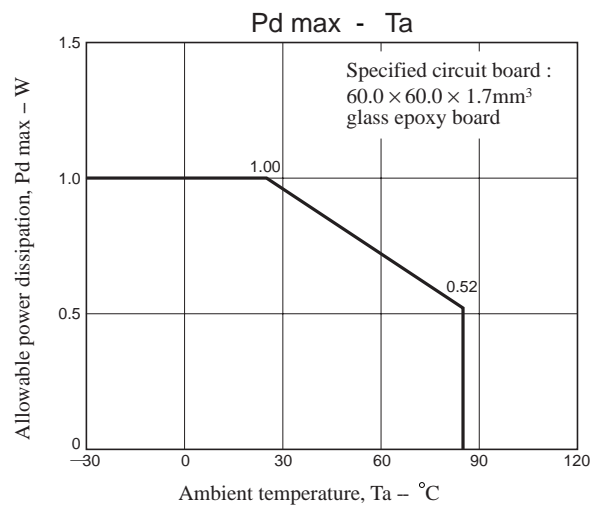
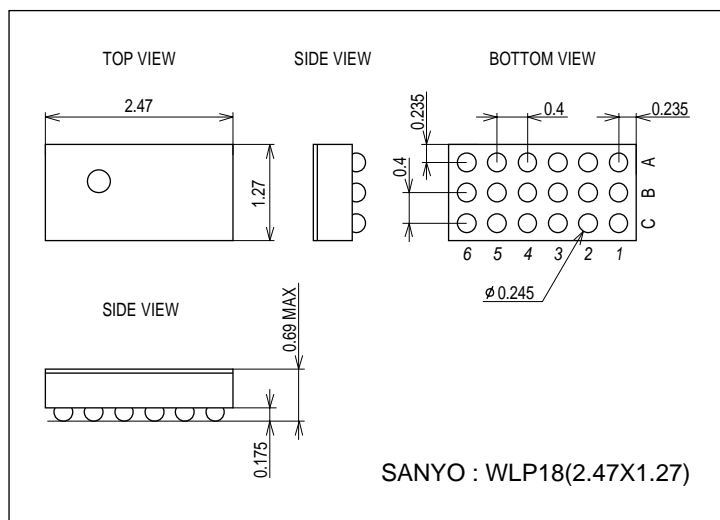
*2: Time from change edge to change edge ($0.5 \times V_{CC}$) of control input at output level.

It doesn't have an enable pin, and as for this IC, either in the input pin begins and the internal logic begins operation of "High". Therefore, the turn-on time becomes about three microseconds only at the initial motion work of the input terminal "High".

Package Dimensions

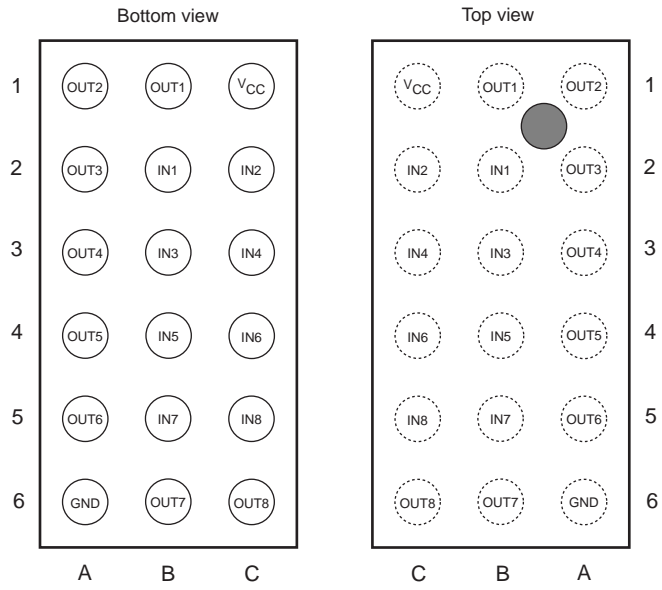
unit : mm (typ)

3401

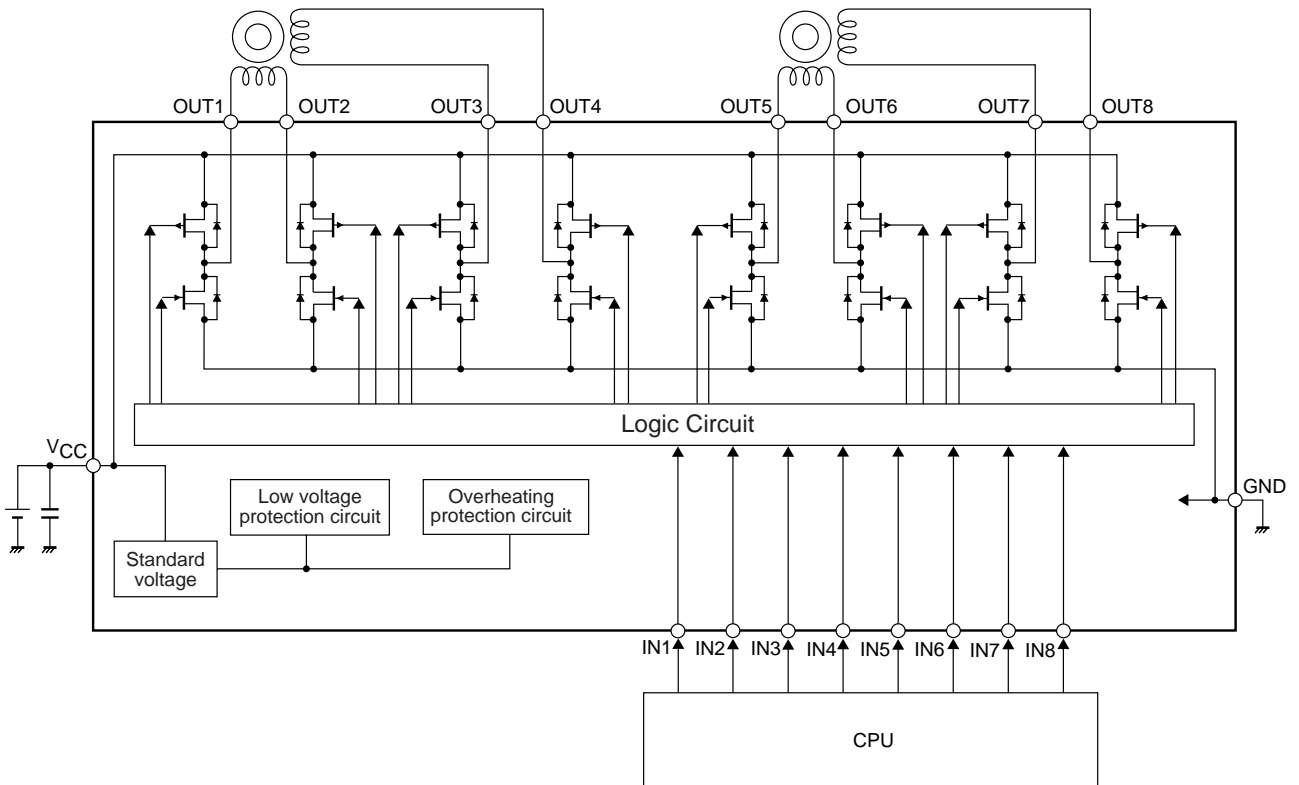


LV8416CB

Pin Assignment



Block Diagram



LV8416CB

Pin Functions

Pin No.	Pin name	Pin Function	Equivalent Circuit
B2 C2 B3 C3 B4 C4 B5 C5	IN1 IN2 IN3 IN4 IN5 IN6 IN7 IN8	Control signal input pin Control signal input pin Control signal input pin Control signal input pin Control signal input pin Control signal input pin Control signal input pin Control signal input pin	
B1 A1 A2 A3 A4 A5 B6 C6	OUT1 OUT2 OUT3 OUT4 OUT5 OUT6 OUT7 OUT8	Motor driver output pin Motor driver output pin Motor driver output pin Motor driver output pin Motor driver output pin Motor driver output pin Motor driver output pin Motor driver output pin	
C1	V _{CC}	Logic system power supply connection pin	
A6	GND	Signal ground	

Logic input specifications

- Common channels 1 to 4

ch1 : IN1 to IN2, OUT1 to OUT2

ch2 : IN3 to IN4, OUT3 to OUT4

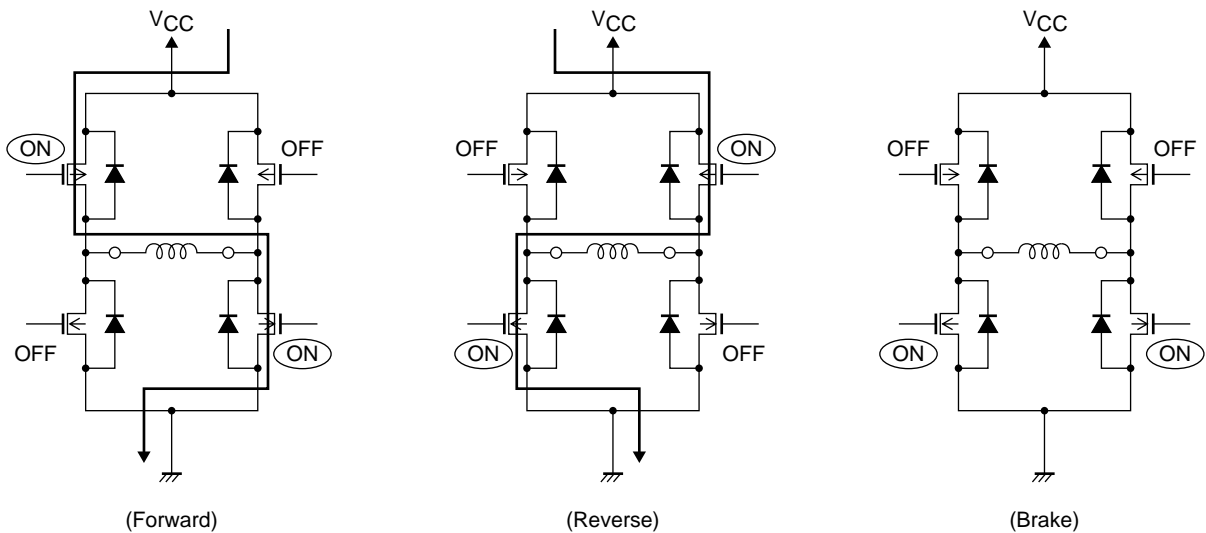
ch3 : IN5 to IN6, OUT5 to OUT6

ch4 : IN7 to IN8, OUT7 to OUT8

Input		Output		Operation mode
IN1	IN2	OUT1	OUT2	
L	L	OFF	OFF	Standby
H	L	H	L	CW (forward)
L	H	L	H	CCW (reverse)
H	H	L	L	Brake

LV8416CB

• Output stage transistor function



- SANYO Semiconductor Co.,Ltd. assumes no responsibility for equipment failures that result from using products at values that exceed, even momentarily, rated values (such as maximum ratings, operating condition ranges, or other parameters) listed in products specifications of any and all SANYO Semiconductor Co.,Ltd. products described or contained herein.
- SANYO Semiconductor Co.,Ltd. strives to supply high-quality high-reliability products, however, any and all semiconductor products fail or malfunction with some probability. It is possible that these probabilistic failures or malfunction could give rise to accidents or events that could endanger human lives, trouble that could give rise to smoke or fire, or accidents that could cause damage to other property. When designing equipment, adopt safety measures so that these kinds of accidents or events cannot occur. Such measures include but are not limited to protective circuits and error prevention circuits for safe design, redundant design, and structural design.
- In the event that any or all SANYO Semiconductor Co.,Ltd. products described or contained herein are controlled under any of applicable local export control laws and regulations, such products may require the export license from the authorities concerned in accordance with the above law.
- No part of this publication may be reproduced or transmitted in any form or by any means, electronic or mechanical, including photocopying and recording, or any information storage or retrieval system, or otherwise, without the prior written consent of SANYO Semiconductor Co.,Ltd.
- Any and all information described or contained herein are subject to change without notice due to product/technology improvement, etc. When designing equipment, refer to the "Delivery Specification" for the SANYO Semiconductor Co.,Ltd. product that you intend to use.
- Information (including circuit diagrams and circuit parameters) herein is for example only; it is not guaranteed for volume production.
- Upon using the technical information or products described herein, neither warranty nor license shall be granted with regard to intellectual property rights or any other rights of SANYO Semiconductor Co.,Ltd. or any third party. SANYO Semiconductor Co.,Ltd. shall not be liable for any claim or suits with regard to a third party's intellectual property rights which has resulted from the use of the technical information and products mentioned above.

This catalog provides information as of August, 2010. Specifications and information herein are subject to change without notice.