



**NEW**

# GTM-201-RS232 GTM-201-USB

Industrial Quad-band GPRS/GSM Modems

## Features

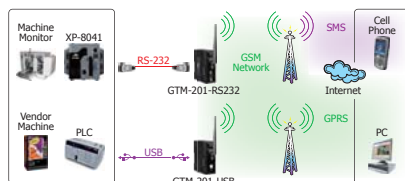
- Quad-band GSM/GPRS Modem Operating of 850/900/1800/1900 MHz
- Designed for GPRS, Data, Fax, SMS and Voice Applications
- Supports TCP Server, TCP Client, UDP Client Connection from GPRS
- Supports Standard AT Commands
- Includes a Digital Input Channel to reset the System
- Provide 3.5 mm stereo jack for Audio Interface
- LED Indicators for GSM and Power Indication
- High reliability in harsh environments
- The RS-232 Port supports 9600 to 115200 bps (GTM-201-RS232)
- USB Driver for Windows, WinPAC (WinCE5.0), LinPAC (Linux 2.6) (GTM-201-USB)
- DIN-Rail mountable



## Introduction

The GTM-201 is a series of industrial Quad-band GSM/GPRS modems with RS-232 and USB interfaces that work at frequencies of GSM 850 MHz, EGSM 900 MHz, DCS 1800 MHz and PCS 1900 MHz. The modems utilize the GSM/GPRS network for convenient and inexpensive data transfer from remote instruments, meters, computers or control systems in either live data or packet data acquisition. The GTM-201 series has an integrated TCP/IP stack so that even simple controllers with serial communications ports can be connected to the modem without the need for special installation of drivers. The features of the GTM-201 series allows a variety of PLC and PC applications to take advantage of SMS and GPRS connectivity. The voice interface allows these modems to be also applied to alarm systems with sounds.

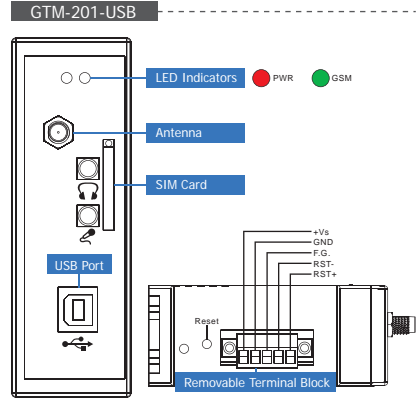
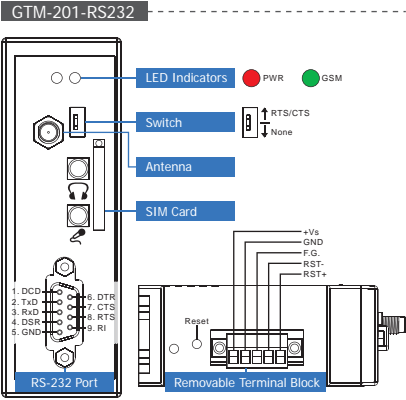
## Applications



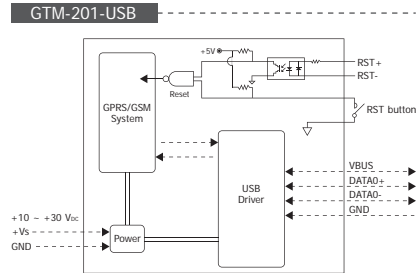
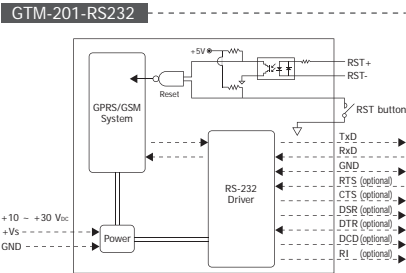
## Specifications

Models	GTM-201-RS232	GTM-201-USB
<b>GSM/GPRS System</b>		
GPRS/GSM Quad-band	850/900/1800/1900 MHz	
GPRS Multi-slot	Class 10/8	
GPRS Mobile Station	Class B	
GPRS Class 10	Max. download speed 85.6 kbps	
CSD	Up to 14.4 kbps	
Compliant with GSM Phase 2/2+	Class 4 (2 W @ 850/900 MHz); Class 1 (1 W @ 1800/1900 MHz)	
Coding Schemes	CS 1, CS 2, CS 3, CS 4	
SMS	Text and PDU Mode	
<b>Serial Ports</b>		
Serial Standards	RS-232 (DB-9 Female)	USB (B-TYPE) to RS232(VCP)
RS-232	TxD, RxD, RTS, CTS, DTR, DSR, DCD, RI, GND	TxD, RxD, DTR, DSR, DCD, RI, GND
Baud Rate	9600 bps ~ 115200 bps	
Include Cable	RS-232 9-Pin Female to Male cable (CA-0915)	USB Type A to Type B cable (CA-USB18)
Compatibility	-	USB 1.1 and 2.0 standard
USB Driver Support	-	Windows 98 and 2000 Windows XP and XP 64-bit Windows Vista and Vista 64-bit WinPAC (WinCE 5.0) LinPAC (Linux kernel 2.6)
<b>Reset Input</b>		
Input Type	Isolated, 3750 V <sub>rms</sub>	
On Voltage Level	+3.5 V <sub>DC</sub> ~ +30 V <sub>DC</sub>	
Off Voltage Level	+1V max.	
Input Impedance	3 kΩ, 0.25 W	
<b>LED Indicators</b>		
Power	Red	
GSM/GPRS	Green	
<b>Power</b>		
Protection	Power reverse polarity protection	
Frame Ground Protection	ESD, Surge, EFT, Hi-Pot	
Required Supply Voltage	+10 V <sub>DC</sub> ~ +30 V <sub>DC</sub>	
Power Consumption	Idle: 25 mA @ 24 V <sub>DC</sub> ; Data Link: 100 ~ 400 mA (peak) @ 24 V <sub>DC</sub>	
Connection	5-Pin 3.81 mm Removable Terminal Block	
<b>Mechanical</b>		
Casing	Plastic	
Flammability	UL 94V-0 materials	
Dimensions (W x L x H)	33 mm x 87 mm x 107 mm	
Installation	DIN-Rail	
<b>Environment</b>		
Operating Temperature	-25 °C ~ +55 °C	
Storage Temperature	-40 °C ~ +80 °C	
Humidity	5 ~ 95% RH, non-condensing	

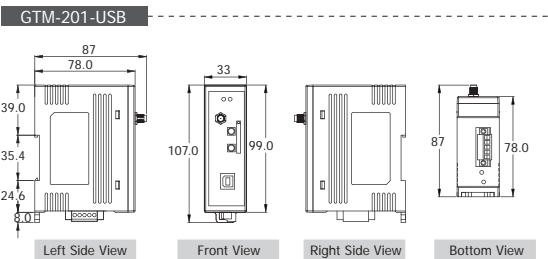
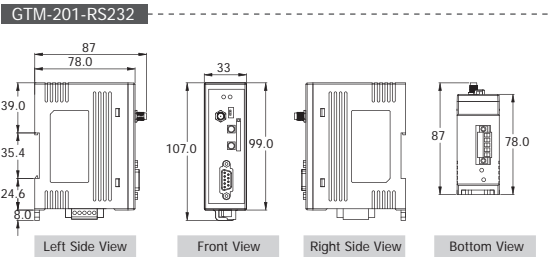
**Appearance**



**Internal I/O Structure**



**Dimensions (Unit: mm)**



**Ordering Information**

GTM-201-RS232 CR	Industrial Quad-band GPRS/GSM Modem with RS-232 Interface (RoHS)
GTM-201-USB CR	Industrial Quad-band GPRS/GSM Modem with USB Interface (RoHS)

**Accessories**

3S003	External GPRS/GSM Antenna
-------	---------------------------