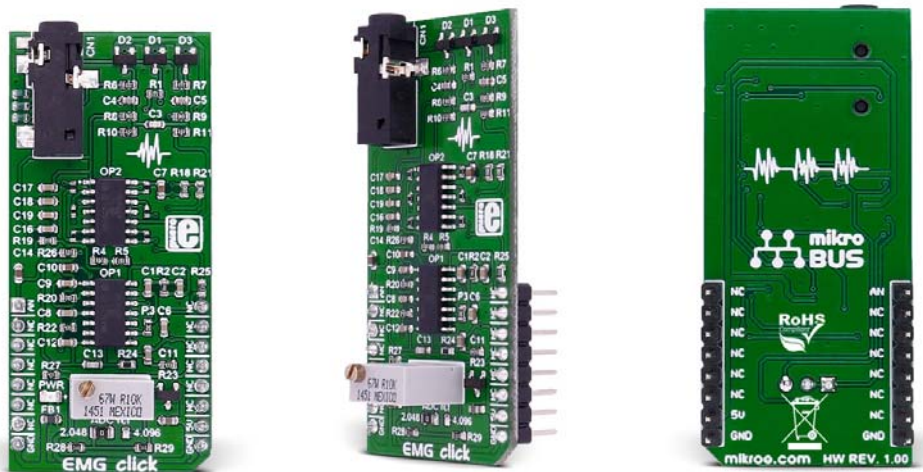


# EMG click

PID: MIKROE-2621



**EMG click** measures the electrical activity produced by the skeletal muscles. It carries MCP609 operational amplifier and MAX6106 micropower voltage reference. EMG click is designed to run on a 5V power supply. The click board™ has an analog output (AN pin).

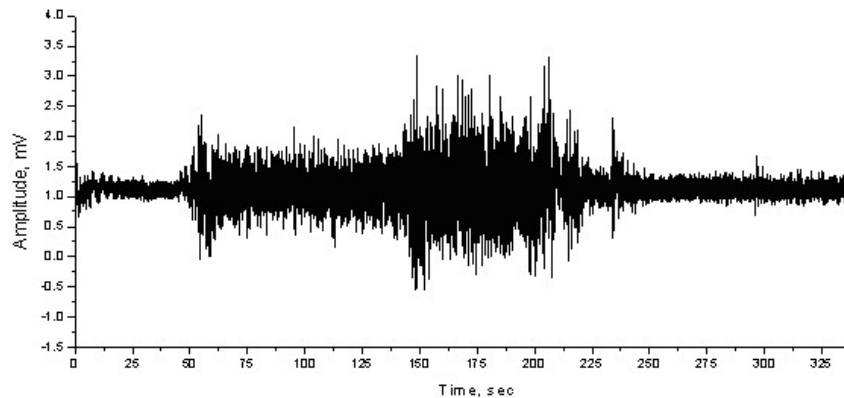


**Note:** EMG click is a prototyping tool, not a medical-grade device. Do not use it to diagnose patients.

## What is EMG?

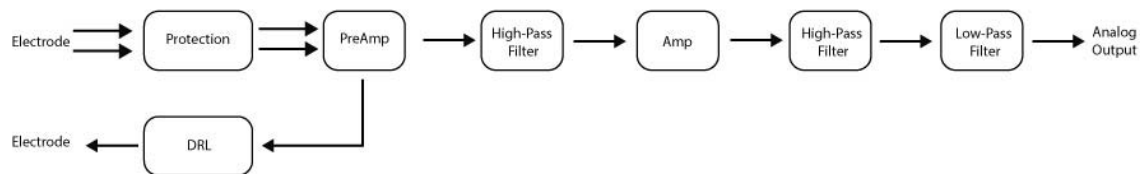
Electromyography or EMG is a **diagnostic technique for measuring the electrical activity of muscles**. It is often used to diagnose the health of these muscles, and the neurons that control them. These neurons are called motor neurons. They transmit electrical signals, and the muscles contract when this happens.

An EMG collects these signals and translates them into a graphical representation.



## How EMG click works

The onboard 3.5mm audio jack is used to connect cables/electrodes to the click board. The electrode collects voltage from the skin (few millivolts). And the signal from the jack is amplified and filtered. Therefore, EMG click can be divided into seven blocks.



## Setup guide

To record an EMG, you will need the following things:

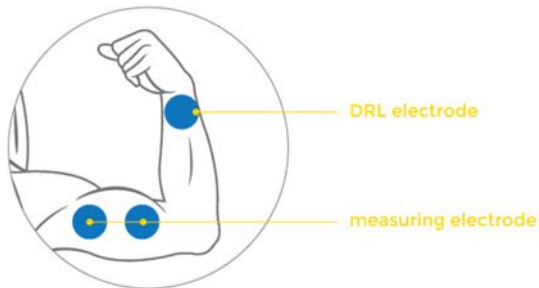
1. EMG click
2. ECG/EMG cable
3. Disposable adhesive pads (sold in packs of 30)

If you are starting out, the best offer is the **EMG click bundle** that contains all three.

Of course, you will also need a target board with an MCU with at least a 10-bit ADC (preferably powered

from an external battery). Sampling rate should be at least 256Hz.

The electrodes are connected to the board with a cable that plugs into the onboard 3.5mm phone jack.



For optimal results place the first DRL electrode on the wrist of the hand. Place the second and third electrode on the muscle you want to measure. See the image above.

### MikroPlot application

MikroPlot is a free data visualization tool (Windows) that can be used to generate an EMG graph. It's a simple tool to help you visualize sensor data recorded over time.

The graph is generated from data sent from the microcontroller. A UART-USB connection is required.

### MCP609 features

The MCP606/7/8/9 family of operational amplifiers (op amps) from Microchip Technology Inc. are unity-gain stable with low offset voltage (250  $\mu$ V, maximum). Performance characteristics include rail-to-rail output swing capability and low input bias current (80 pA at +85°C, maximum).

### MAX6106 features

The MAX6106 is a low-cost, low-dropout (LDO), micropower voltage reference. This three-terminal reference is available with output voltage options of 1.25V, 1.8V, 2.048V, 2.5V, 3V, 4.096V, 4.5V, and 5V. For this click, we used the 2.048V.

### Key features

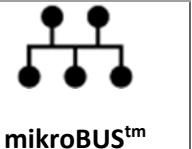
- MCP609 amplifier
- MAX6106 voltage reference
- 3.5mm audio jack
- Interface: AN pin
- 5V power supply

## SPECIFICATION

Type	Biomedical
Applications	Measuring the electrical activity produced by skeletal muscles.
On-board modules	MAX6106 voltage reference, 3.5mm audio jack
Key Features	ESD protection, Overvoltage protection, High-pass filter
Interface	Analog
Power Supply	5V
Compatibility	mikroBUS
Click board size	L (57.15 x 25.4 mm)

## Pinout diagram

This table shows how the pinout on **EMG click** corresponds to the pinout on the mikroBUS™ socket (the latter shown in the two middle columns).

Notes	Pin	 mikroBUS™				Pin	Notes
Analog output	<b>AN</b>	<b>1</b>	AN	PWM	<b>16</b>	NC	Not connected
Not connected	NC	<b>2</b>	RST	INT	<b>15</b>	NC	Not connected
Not connected	NC	<b>3</b>	CS	TX	<b>14</b>	NC	Not connected
Not connected	NC	<b>4</b>	SCK	RX	<b>13</b>	NC	Not connected
Not connected	NC	<b>5</b>	MISO	SCL	<b>12</b>	NC	Not connected
Not connected	NC	<b>6</b>	MOSI	SDA	<b>11</b>	NC	Not connected
Not connected	NC	<b>7</b>	3.3V	5V	<b>10</b>	<b>+5V</b>	Power supply
Ground	<b>GND</b>	<b>8</b>	GND	GND	<b>9</b>	<b>GND</b>	Ground

## Jumpers and settings

Designator	Name	Default Position	Default Option	Description
JP1	ADC ref.	Left	2.048	Output voltage range, left position 0-2.048V, right position 0-4.096V.

There is one SMD (0805) jumper that determines the output voltage range. When you connect all three electrodes to each other, the output should be constant voltage (1.024V or 2.048V depending on the jumper position). That constant voltage is zero-voltage on graphic, so the positive part of EMG waveform will go above zero and negative part of the EMG waveform will go below zero. There is also trimmer potentiometer which adjust the gain. So, if we set jumper to 2.048 position (zero is now 1.024V) that means that the gain should be set so that the EMG waveform is in the range of 0-2.048V. If we set jumper to 4.096 position (zero is now 2.048V) gain should be set so that the EMG waveform is in the range of 0-4.096V. So, jumper and trimmer potentiometer are used to make output voltage level from EMG click accommodate to the input voltage level of ADC which will be used.

## LEDs and buttons

Designator	Name	Type	Description
LD1	PWR	LED	Power Supply Indication LED

## How it works

- The onboard 3.5mm audio jack is used to connect cables/electrodes to the click board. The electrode collects voltage from the skin (few millivolts). And the signal from the jack is amplified and filtered. Therefore, EMG click can be divided into seven blocks.
- 1. Protection - Provides ESD protection (protects click), Overvoltage protection (protects respondents) and Overcurrent protection (protects respondents). In addition to protection, input block has the role of filter that prevents radio waves to “enter” the preamplifier.
- 2. Preamplifier – Is implemented through three operational amplifiers configured as instrumentation amplifier (IA – amplifies the voltage difference between “+” and “-” electrode) which at its output provides single-end signal.
- 3. High-Pass filter – Should eliminate the DC component of the signal ( $f_c=1.6\text{Hz}$ ). It is passive RC filter (first order).
- 4. Amplifier – Need to provide additional amplification that can be adjusted using trimmer potentiometer VR1 so the analog output could accommodate to the input voltage range of ADC. The amplifier is implemented using operational amplifier configured as non-inverting amplifier.
- 5. High-Pass filter – Should eliminate the DC component of the signal ( $f_c=0.16\text{Hz}$ ) this time after the amplifier. It is also passive RC filter (first order).
- 6. Low-Pass filter – Should limit frequency range to 60Hz. It is third order active filter with gain of 15 (second-order Sallen-Key filter topology + passive RC filter first order = third order filter).

- 7. DRL circuit (Driven Right Leg) – is an electronic circuit that is often added to biological signal amplifiers to reduce Common-mode interference. Biological signal amplifiers such as ECG (Electrocardiogram), EEG (Electroencephalogram) or EMG circuits measure very small electrical signals emitted by the body, often as small as several microvolts (millionths of a volt). Unfortunately, the patient's body can also act as an antenna which picks up electromagnetic interference, especially 50/60 Hz noise from electrical power lines. This interference can obscure the biological signals, making them very hard to measure. Right Leg Driver circuitry is used to eliminate interference noise by actively canceling the interference. That is selective amplifier stage that shifts phase of signal for 180° (inverting) and returns it to respondents in order to cancel.

## Programming

Code examples for EMG click, written for MikroElektronika hardware and compilers are available on Libstock.

### *Code snippet*

The following code snippet shows the state of waiting for a button press event by the user, in order to start the measuring of data. Data is sampled from ADC module every 3.3 ms and sent to mikroPlot, all in an endless loop.

```

01 while(1)
02     {
03         // If button PD10 is pressed, the measuring begins
04         if (Button( &GPIO_IDR, 10, 10, 1 ))
05         {
06             UART1_Write_Text( "START\r\n" );
07             InitTimer2();
08             EnableInterrupts();
09             delay_ms( 500 );
10         }
11
12         // Every 3.3 ms measure data and send them to mikroPlot
13         if ( read_flag == true )
14         {
15             read_flag = false;
16             DisableInterrupts();
17
18             temp_adc_read = ADC1_Get_Sample( 4 );
19             if (temp_adc_read > LIMIT_TOP )
20             {
21                 temp_adc_read = LIMIT_TOP;
22             }
23             if (temp_adc_read < LIMIT_BOTTOM )
24             {

```

```
25         temp_adc_read = LIMIT_BOTTOM;
26     }
27     temp_timer_read = interrupt_ctr * 2;
28     IntToStr(temp_adc_read, final_string);
29     sprintf(timer_read_string, "%.2f", temp_timer_read);
30     strcat(final_string, ",");
31     strcat(final_string, timer_read_string);
32     Ltrim(final_string);
33     UART1_Write_Text(final_string);
34     UART1_Write_Text("\r\n");
35
36     EnableInterrupts();
37 }
38 }
```