

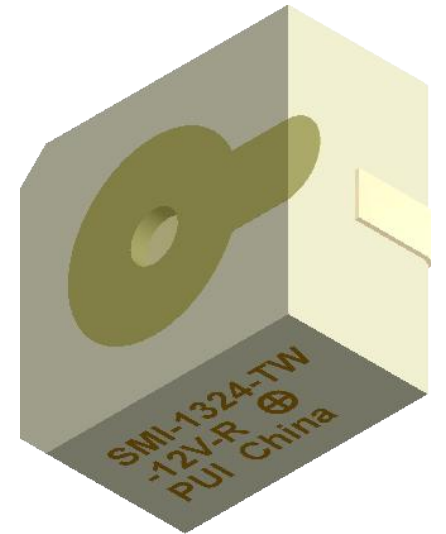
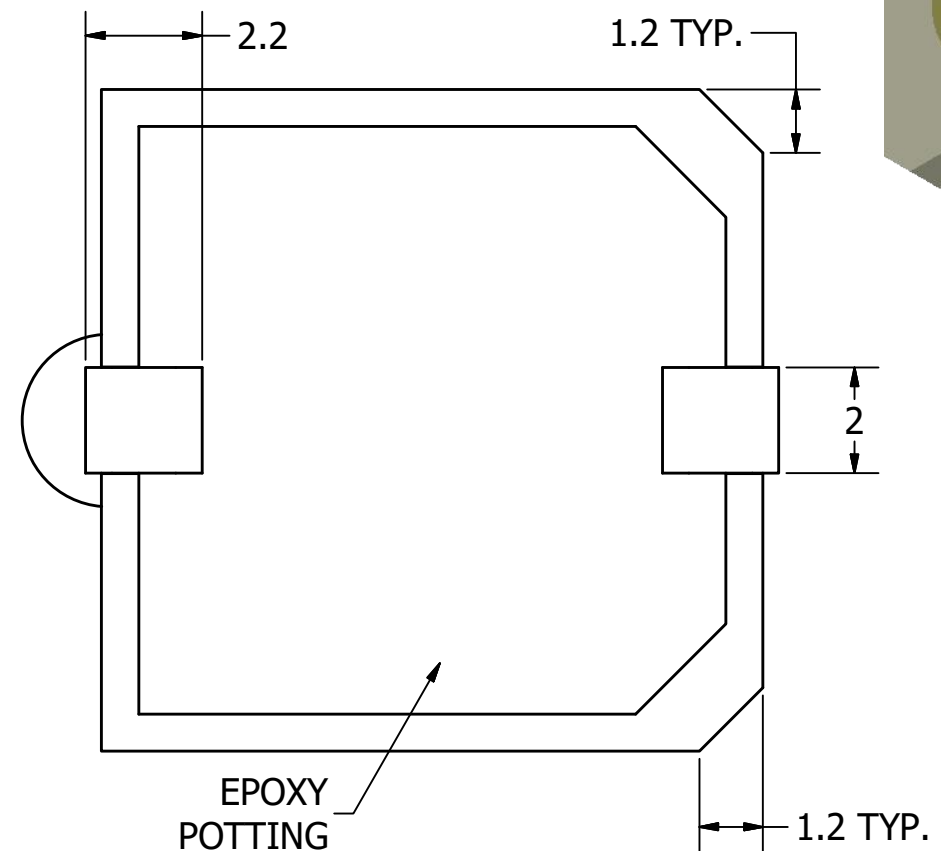
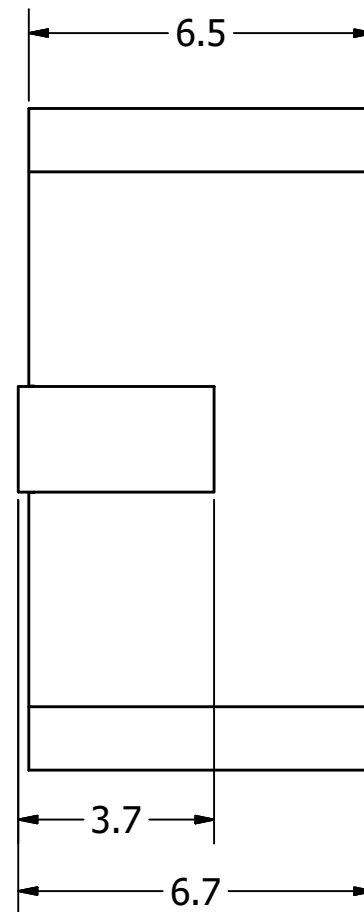
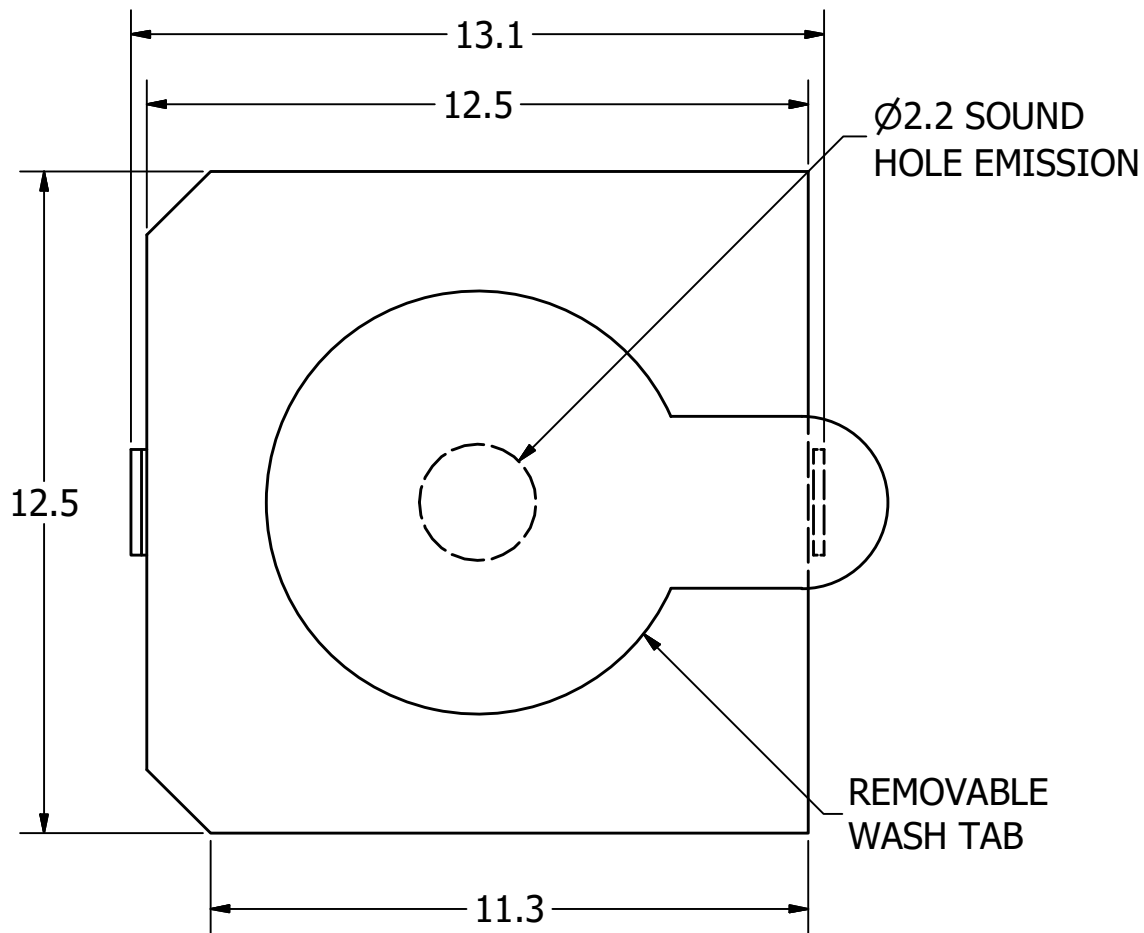
SPECIFICATIONS

| PARAMETERS | VALUES | UNITS |
|-------------------------|-----------------|-------------|
| RATED VOLTAGE | 12 | Vdc |
| OPERATING VOLTAGE RANGE | 8 ~ 15 | Vdc |
| RATED CURRENT (MAX) | 30 | mA |
| MINIMUM SPL @ 10 CM | 85 | dBA |
| RESONANT FREQUENCY | 2,400 ± 300 | Hz |
| TONE OR PULSE RATE | CONTINUOUS | 0 pulse/sec |
| OPERATING TEMPERATURE | -20 ~ +70 | °C |
| STORAGE TEMPERATURE | -30 ~ +85 | °C |
| HOUSING MATERIAL | PA46 | - |
| TERMINAL MATERIAL | Sn PLATED BRASS | - |
| WEIGHT | 5 | grams |

THIS DOCUMENT CONTAINS DATA PROPRIETARY TO PROJECTS UNLIMITED, INC. ANY USE OR REPRODUCTION, IN ANY FORM, WITHOUT PRIOR WRITTEN PERMISSION OF PROJECTS UNLIMITED, INC. IS PROHIBITED.
©2003, Projects Unlimited Inc.

REVISION HISTORY

| LTR | DESCRIPTION | DATE | APPROVED |
|-----|--|------------|----------|
| - | RELEASED FROM ENGINEERING | 10/13/2004 | |
| A | UPDATED HOUSING MATERIAL | 4/19/2005 | R.W. |
| B | ADDED RoHS COMPLIANCE NOTE | 8/10/2005 | |
| C | ADDED NOTE 4 | 11/2/2005 | B.R. |
| D | REVISED TERMINAL MATERIAL | 3/20/2006 | B.R. |
| E | REVISED TO INVENTOR 3-D DRAWING TEMPLATE | 5/28/2010 | B.R. |
| F | REVISED STORAGE TEMPERATURE | 2/27/2020 | M.V. |



NOTES:

1. ALL DIMENSIONS ARE IN MILLIMETERS.
2. SPECIFICATIONS SUBJECT TO CHANGE OR WITHDRAWL WITHOUT NOTICE.
3. THIS PART IS RoHS 2002/95/EC COMPLIANT.
4. MAXIMUM REFLOW TEMPERATURE IS 260°C.

| | | | | | | | | |
|--|-------------------|-------------|------------|---------------------------------------|------|-------------|------------|------------|
| UNLESS OTHERWISE SPECIFIED: DIMENSIONS ARE IN MILLIMETERS, TOLERANCES ARE ±0.5 AND ANGLES ARE ±3°. | SIZE A3 | Designed by | Date | Checked by | Date | Approved by | Date | Drawn Date |
| | | R.A.C. | 10/13/2004 | | | R.W. | 10/13/2004 | 5/28/2010 |
| SMI-1324-TW-12V-R.idw | | | | SMI-1324-TW-12V-R Indicator | | | | |
| | | | | Edition | | Sheet | | |
| | | | | - | | 1 / 1 | | |