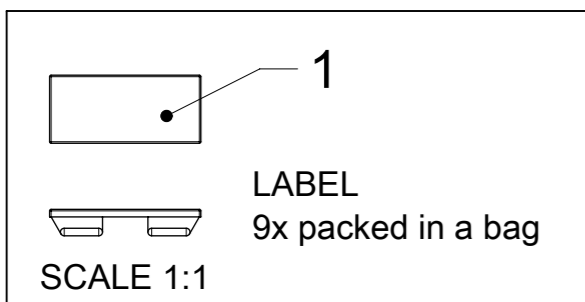


TABLE 1

MOLEX P/N	ENG. NO.	CABLE LENGTH (mm)	LED
1202510001	BKB8000-FBW-05	5000	NO
1202510002	BKB8000-FBW-10	10000	NO
1202510003	BKB8000-FBW-15	15000	NO
1202510004	BKB800P-FBW-05	5000	YES
1202510005	BKB800P-FBW-10	10000	YES
1202510006	BKB800P-FBW-15	15000	YES
1202510007	BKB800N-FBW-05	5000	YES
1202510008	BKB800N-FBW-10	10000	YES
1202510009	BKB800N-FBW-15	15000	YES

TABLE 2 BILL OF MATERIAL

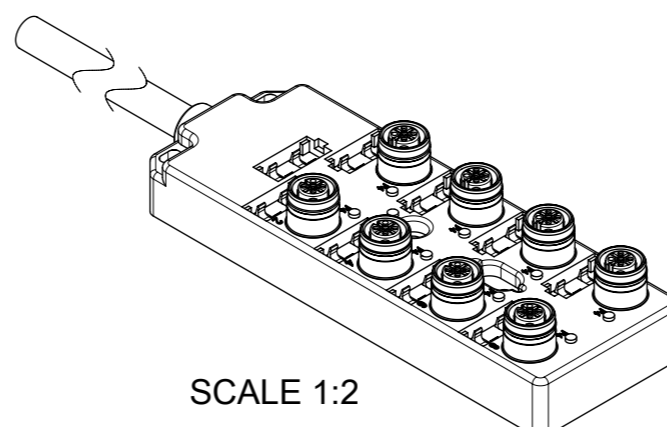
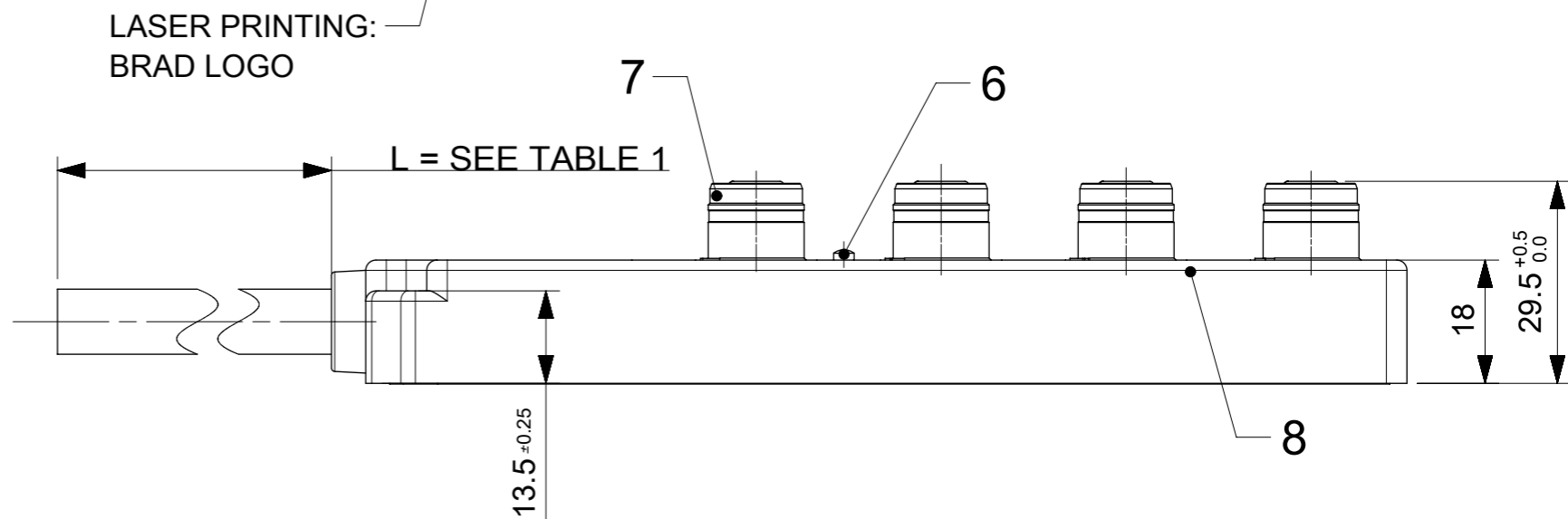
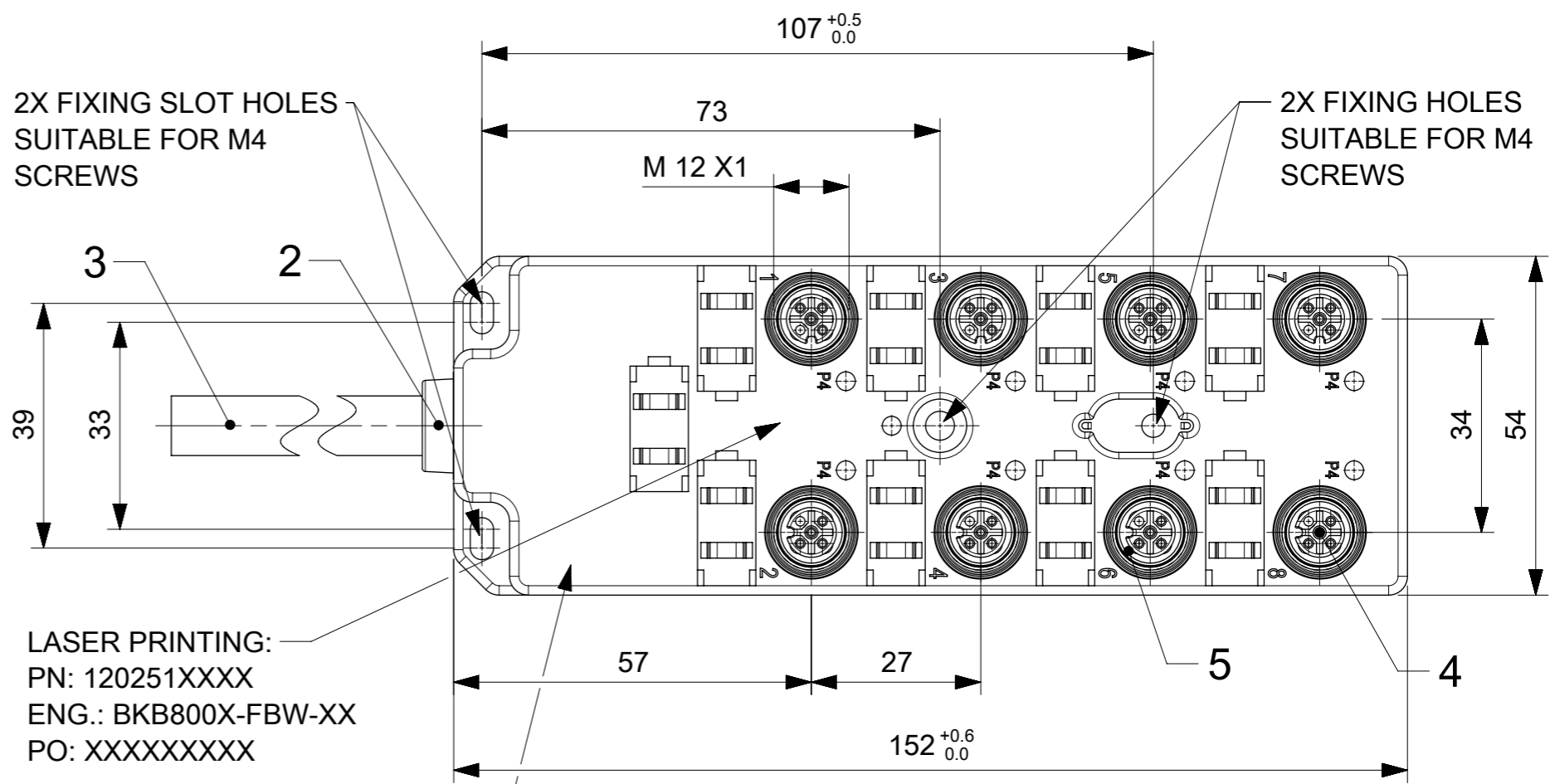
ITEM	DESCRIPTION	MATERIAL	FINISH
1	LABEL	ABS	WHITE
2	CABLE PLATE	PBT	BLACK
3	CABLE	TPU BASED	BLACK
4	CONTACT	BRONZE	GOLD OVER NICKEL
5	O-RING	FPM	RED
6	LED	NO LED = PA	BLACK
		WITH LED = PA	TRANSPARENT
7	SHELL	BRASS	NICKEL PLATED
8	HOUSING	PBT	BLACK



GENERAL CHARACTERISTICS:

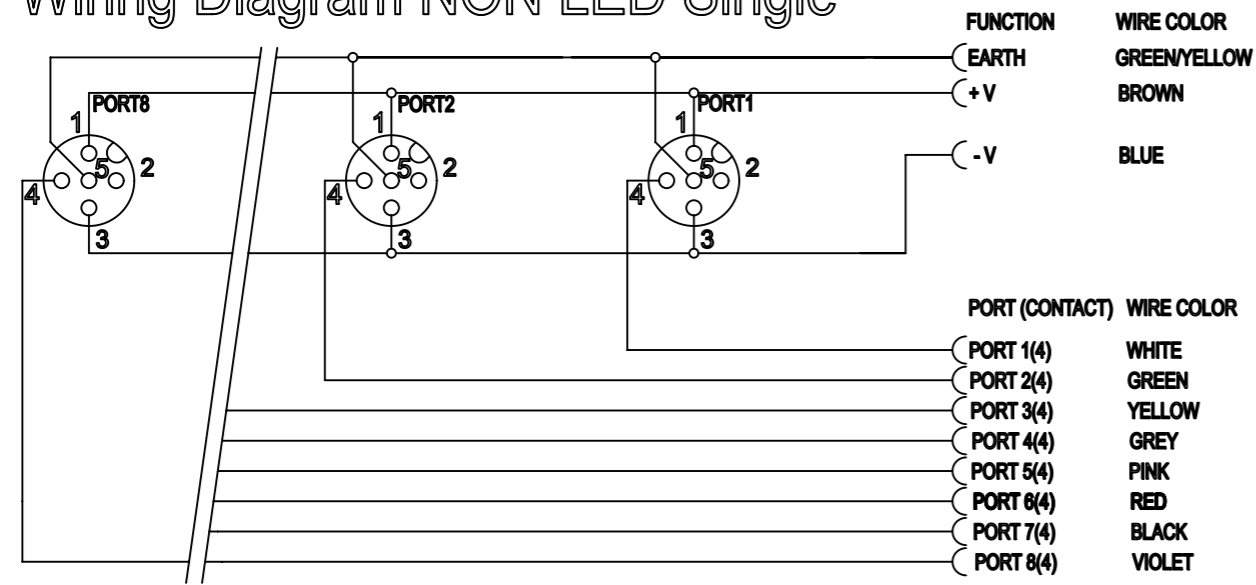
ELECTRICAL AND MECHANICAL DATA ACC. TO IEC 61076-2-101

NOMINAL VOLTAGE: 10-30 V DC
 AMPERE RATING: 4 A PER PORT / 12 A MAX
 AMPERE RATING WITH UL REGISTRATION: 3 A PER PORT / 9 A MAX
 IP DEGREE OF PROTECTION: IP 67
 TEMPERATURE RANGE: -25°C to + 85°C

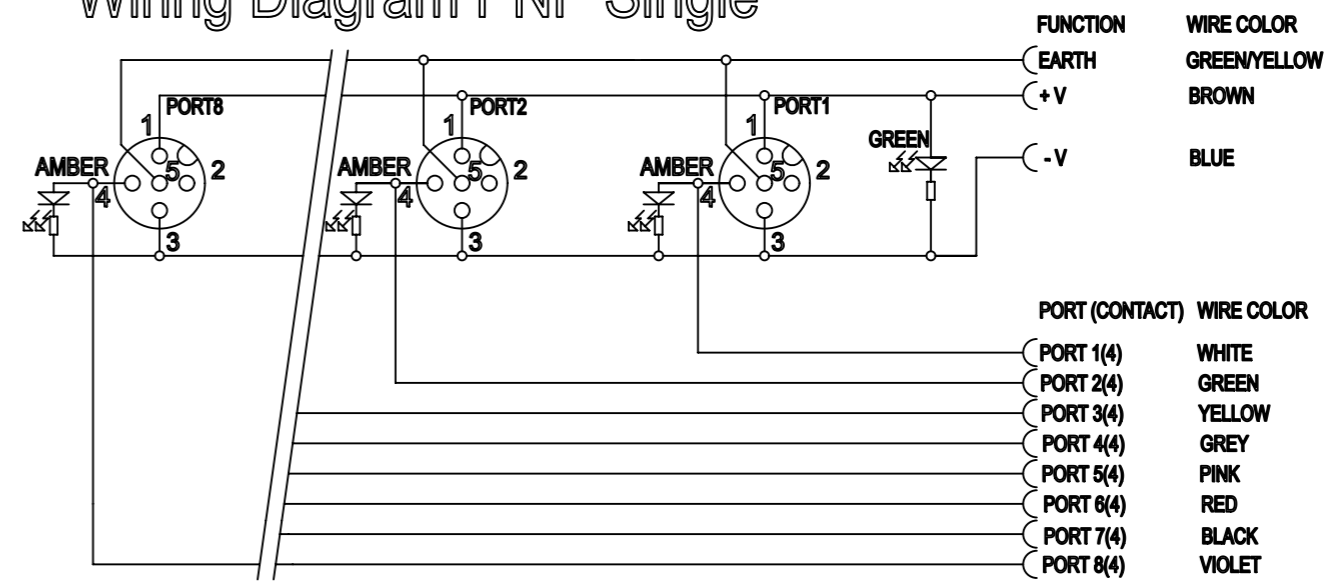


SYMBOLS		THIS DRAWING CONTAINS INFORMATION THAT IS PROPRIETARY TO MOLEX ELECTRONIC TECHNOLOGIES, LLC AND SHOULD NOT BE USED WITHOUT WRITTEN PERMISSION	
DIMENSION UNITS	SCALE	CURRENT REV DESC: INITIAL RELEASE	
mm	1:1	molex MPIS U12 NON PNP NPN 4P 8PT BK XM SINGLE	
GENERAL TOLERANCES (UNLESS SPECIFIED)			
ANGULAR TOL	± 1.0°	EC NO: 631635 DRWN: MDHARMANTI 2020/01/27 CHK'D: RSILLER 2020/02/05 APPR: RSILLER 2020/02/05	
4 PLACES	±	INITIAL REVISION: DRWN: SSM 2018/11/30 APPR: RSILLER 2020/01/17	
3 PLACES	±	DOCUMENT NUMBER: 1202510001 DOC TYPE: PSD DOC PART: 000 REVISION: A1	
2 PLACES	± 0.05	PRODUCT CUSTOMER DRAWING	
1 PLACE	± 0.3	MATERIAL NUMBER: SEE TABLE 1 CUSTOMER: GENERAL MARKET	
0 PLACES	± 0.5	SHEET NUMBER: 1 OF 2	
DRAFT WHERE APPLICABLE MUST REMAIN WITHIN DIMENSIONS		THIRD ANGLE PROJECTION	DRAWING: A3-SIZE
		SERIES: 120251	

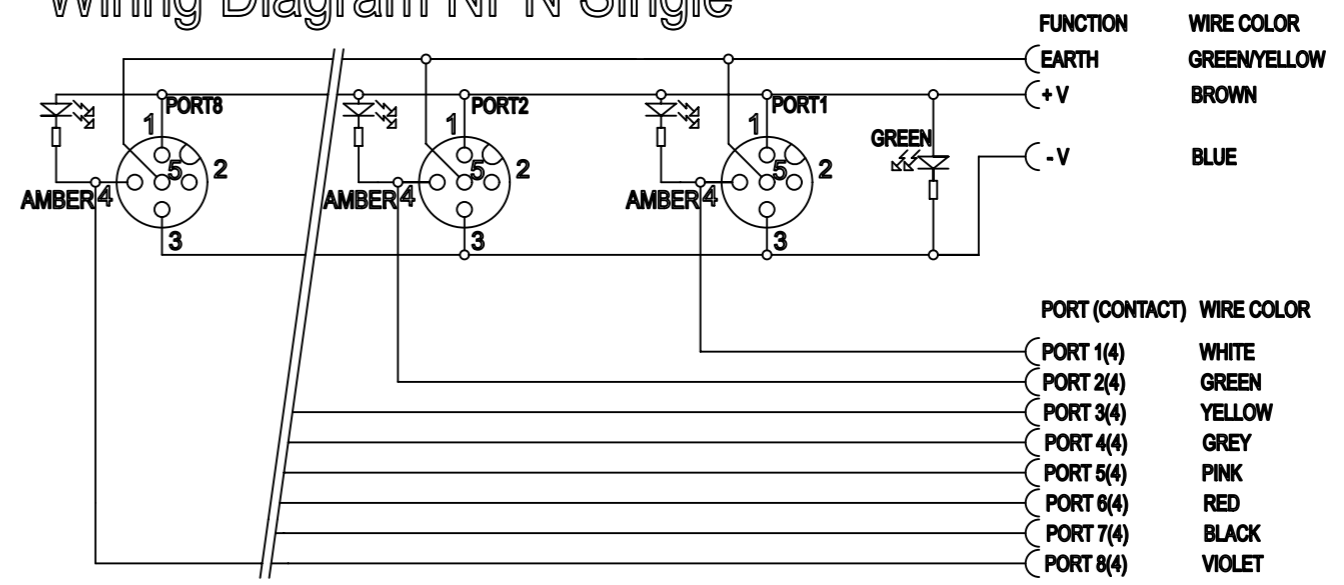
Wiring Diagram NON LED Single



Wiring Diagram PNP Single



Wiring Diagram NPN Single



CABLE LENGTH TOLERANCES

LENGTH [m]	TOLERANCE [mm]
0-1	+40
>1-5	+60
>5-10	+80
>10-20	+140
>20-30	+160
>30	+1% length

THIS DRAWING CONTAINS INFORMATION THAT IS PROPRIETARY TO MOLEX ELECTRONIC TECHNOLOGIES, LLC AND SHOULD NOT BE USED WITHOUT WRITTEN PERMISSION

SYMBOLS: DIMENSION UNITS: mm SCALE: 1:1

CURRENT REV DESC: INITIAL RELEASE

GENERAL TOLERANCES (UNLESS SPECIFIED): ANGULAR TOL ± 1.0°

EC NO: 631635
 DRWN: MDHARMANTI 2020/01/27
 CHK'D: RSILLER 2020/02/05
 APPR: RSILLER 2020/02/05

INITIAL REVISION:
 DRWN: SSM 2018/11/30
 APPR: RSILLER 2020/01/17

DRAFT WHERE APPLICABLE MUST REMAIN WITHIN DIMENSIONS

THIRD ANGLE PROJECTION

DRAWING: A3-SIZE SERIES: 120251 MATERIAL NUMBER: SEE TABLE 1 CUSTOMER: GENERAL MARKET SHEET NUMBER: 2 OF 2

molex

MPIS U12 NON PNP NPN 4P 8PT BK XM SINGLE

PRODUCT CUSTOMER DRAWING

DOCUMENT NUMBER: 1202510001 DOC TYPE: PSD DOC PART: 000 REVISION: A1