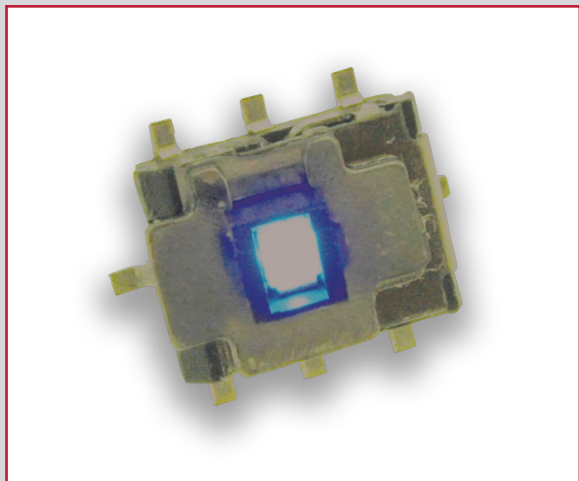
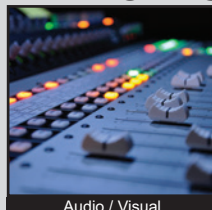


EGL2290 SERIES SLIDE SWITCH

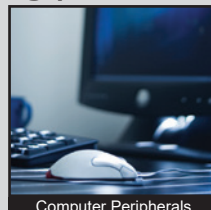
ANTI-VANDAL SWITCHES
 DETECTOR SWITCHES
 DIP SWITCHES
 KEYLOCK SWITCHES
 NAVIGATION SWITCHES
 PUSHBUTTON SWITCHES
 ROCKER SWITCHES
 ROTARY SWITCHES
 SLIDE SWITCHES
 SNAP ACTION SWITCHES
 TACTILE SWITCHES
 TOGGLE SWITCHES
 CAP OPTIONS



APPLICATIONS / MARKETS



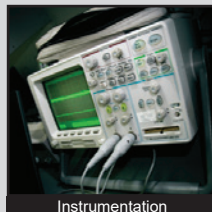
Audio / Visual



Computer Peripherals



Consumer Electronics



Instrumentation



Handheld Devices



Testing Equipment

RoHS

SPECIFICATIONS

Electrical Rating: 0.3A, 6VDC
Electrical Life: 10,000 Cycles
Contact Resistance: 50mΩ
Insulation Resistance: 100M Ω at 500VDC
Dielectric Strength: 500VAC
Operating Temperature: -40°C to 85°C
Storage Temperature: -40°C to 85°C
Actuation Force: 200 gf
Travel: 2.0mm
Contact Arrangement: DPDT

FEATURES & BENEFITS

- LED illumination
- SMT design
- DPDT circuit
- Compact design

PART NUMBER CONFIGURATOR

Series



EGL2290

LED Color



R = Red
 G = Green
 B = Blue
 Y = Yellow
 W = White
 RG = Red-Green Bi-color

Specifications subject to change without notice



E-SWITCH®

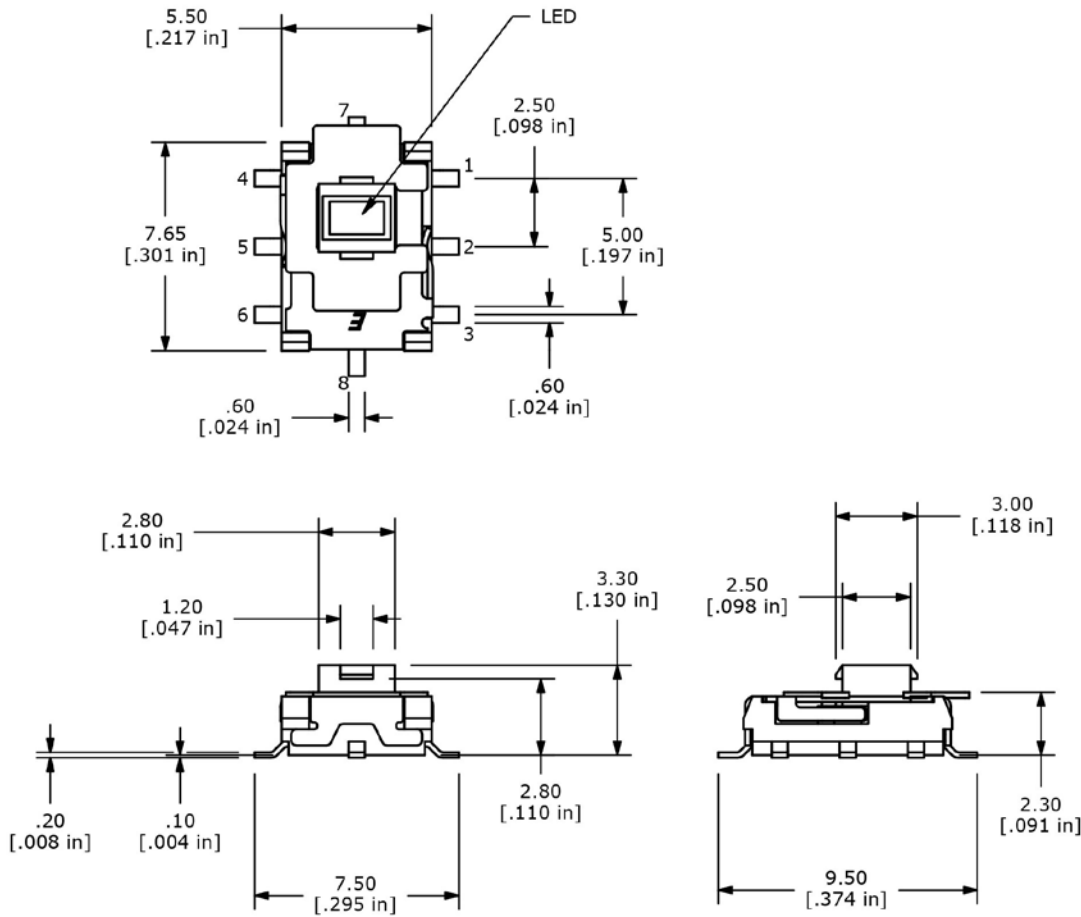
www.e-switch.com

800.867.2717

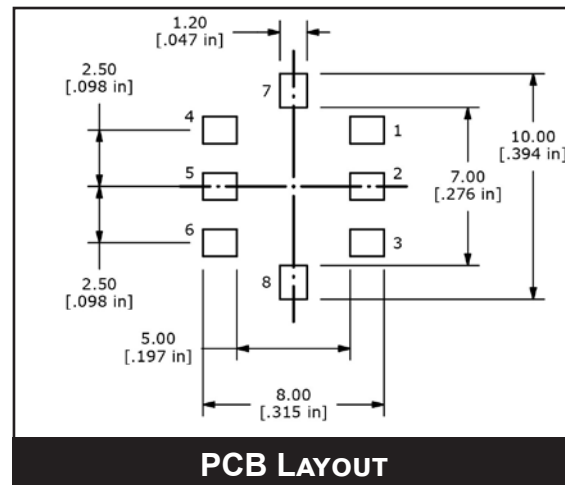
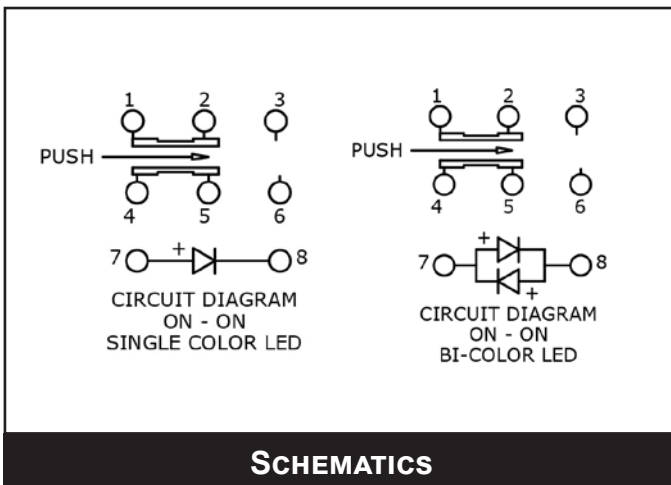
2

EGL2290 SERIES SLIDE SWITCH

BODY DIMENSIONS



LED SPECS			
LED COLOR	FORWARD CURRENT	FORWARD VOLTAGE @ 20mA	LUMINOUS INTENSITY @ 20mA
RED	20mA	1.95 typ.-2.5 max.	230 mcd typ.
GREEN	20mA	2.1 typ.- 2.5 max.	50 mcd typ.
BLUE	20mA	3.3 typ.- 4.0 max.	100 mcd typ.
YELLOW	20mA	2.0 typ.- 2.5 max.	150 mcd typ.
WHITE	20mA	3.3 typ.- 4.0 max.	200 mcd typ.
RED-GREEN	20mA	1.95 typ.-2.5 max. RED 2.1 typ.-2.5 max. GREEN	200 mcd typ. RED 50 mcd typ. GREEN



ANTI-VANDAL SWITCHES
DETECTOR SWITCHES
DIP SWITCHES
KEYLOCK SWITCHES
NAVIGATION SWITCHES
PUSHBUTTON SWITCHES
ROCKER SWITCHES
ROTARY SWITCHES
SLIDE SWITCHES
SNAP ACTION SWITCHES
TACTILE SWITCHES
TOGGLE SWITCHES
CAP OPTIONS