

TLP620X, TLP620-2X, TLP620-4X
TLP620, TLP620-2, TLP620-4



ISOCOM
COMPONENTS



**HIGH DENSITY A.C. INPUT
PHOTOTRANSISTOR OPTICALLY
COUPLED ISOLATORS**

APPROVALS

- UL recognised, File No. E91231
Package Code "EE"

'X' SPECIFICATION APPROVALS

- VDE 0884 in 3 available lead forms :-
- STD
- G form
- SMD approved to CECC 00802

DESCRIPTION

The TLP620, TLP620-2, TLP620-4 series of optically coupled isolators consist of two infrared light emitting diodes connected in inverse parallel and NPN silicon photo transistors in space efficient dual in line plastic packages.

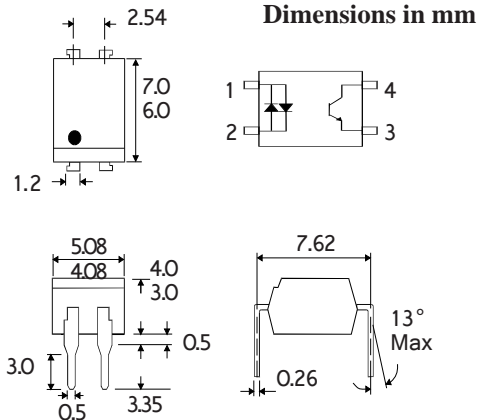
FEATURES

- Options :-
10mm lead spread - add G after part no.
Surface mount - add SM after part no.
Tape&reel - add SMT&R after part no.
- High Isolation Voltage (5.3kV_{RMS}, 7.5kV_{PK})
- AC or polarity insensitive input
- All electrical parameters 100% tested
- Custom electrical selections available

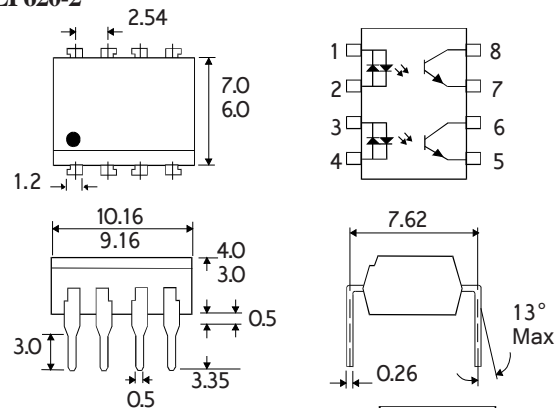
APPLICATIONS

- Computer terminals
- Industrial systems controllers
- Telephone sets, Telephone exchangers
- Signal transmission between systems of different potentials and impedances

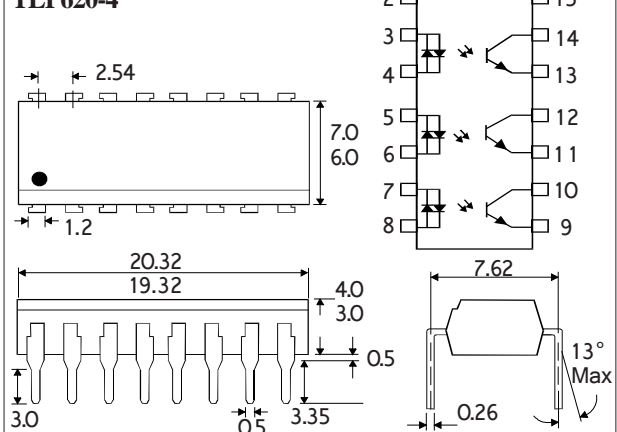
TLP620



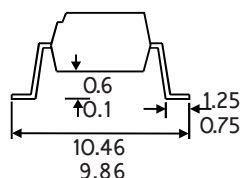
TLP620-2



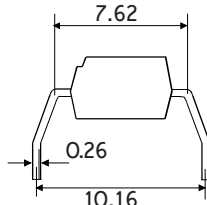
TLP620-4



**OPTION SM
SURFACE MOUNT**



OPTION G



ISOCOM COMPONENTS LTD

Unit 25B, Park View Road West,
Park View Industrial Estate, Brenda Road
Hartlepool, Cleveland, TS25 1UD
Tel: (01429) 863609 Fax: (01429) 863581

ABSOLUTE MAXIMUM RATINGS

(25°C unless otherwise specified)

| | |
|---|-----------------|
| Storage Temperature _____ | -55°C to +125°C |
| Operating Temperature _____ | -30°C to +100°C |
| Lead Soldering Temperature (1/16 inch (1.6mm) from case for 10 secs) | 260°C |

INPUT DIODE

| | |
|-------------------------|-------|
| Forward Current _____ | ±50mA |
| Power Dissipation _____ | 70mW |

OUTPUT TRANSISTOR

| | |
|--|-------|
| Collector-emitter Voltage BV_{CEO} _____ | 55V |
| Emitter-collector Voltage BV_{ECO} _____ | 6V |
| Collector Current _____ | 50mA |
| Power Dissipation _____ | 150mW |

POWER DISSIPATION

| | |
|--|-------|
| Total Power Dissipation _____ | 200mW |
| (derate linearly 2.67mW/°C above 25°C) | |

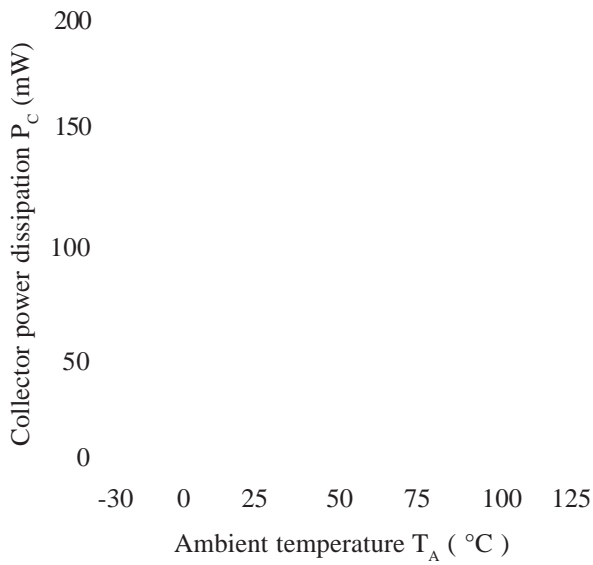
ELECTRICAL CHARACTERISTICS ($T_A = 25^\circ\text{C}$ Unless otherwise noted)

| PARAMETER | | MIN | TYP | MAX | UNITS | TEST CONDITION |
|---------------|---|--------------------|------|---------------|--|--|
| Input | Forward Voltage (V_F) | 1.0 | 1.15 | 1.3 | V | $I_F = \pm 10\text{mA}$ |
| Output | Collector-emitter Breakdown (BV_{CEO}) (Note 2) | 55 | | | V | $I_C = 0.5\text{mA}$ |
| | Emitter-collector Breakdown (BV_{ECO}) | 6 | | | V | $I_E = 100\mu\text{A}$ |
| | Collector-emitter Dark Current (I_{CEO}) | | | 100 | nA | $V_{CE} = 20\text{V}$ |
| Coupled | Current Transfer Ratio (CTR) (Note 2) TLP620, TLP620-2, TLP620-4 | 50 | | 600 | % | $\pm 5\text{mA} I_F, 5\text{V} V_{CE}$ |
| | CTR selection available GB | 100 | | 600 | % | $\pm 5\text{mA} I_F, 5\text{V} V_{CE}$ |
| | | 30 | | | % | $\pm 1\text{mA} I_F, 0.4\text{V} V_{CE}$ |
| | Collector-emitter Saturation Voltage $V_{CE(SAT)}$ GB | | | 0.4 | V | $\pm 8\text{mA} I_F, 2.4\text{mA} I_C$ |
| | | | | 0.4 | V | $\pm 1\text{mA} I_F, 0.2\text{mA} I_C$ |
| | Input to Output Isolation Voltage V_{ISO} | 5300 7500 | | | V_{RMS} V_{PK} | See note 1 See note 1 |
| | Input-output Isolation Resistance R_{ISO} | 5×10^{10} | | | Ω | $V_{IO} = 500\text{V}$ (note 1) |
| Rise Time, tr | | 4 | 18 | μs | $V_{CE} = 2\text{V},$ $I_C = 2\text{mA}, R_L = 100\Omega$ | |
| Fall Time, tf | | 3 | 18 | μs | | |

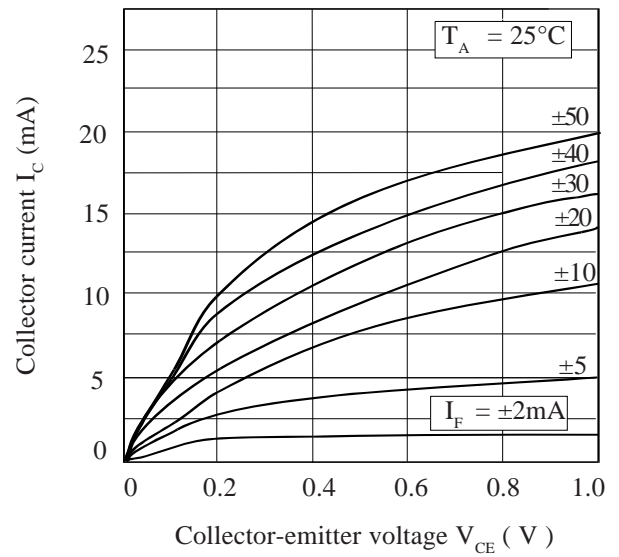
Note 1 Measured with input leads shorted together and output leads shorted together.

Note 2 Special Selections are available on request. Please consult the factory.

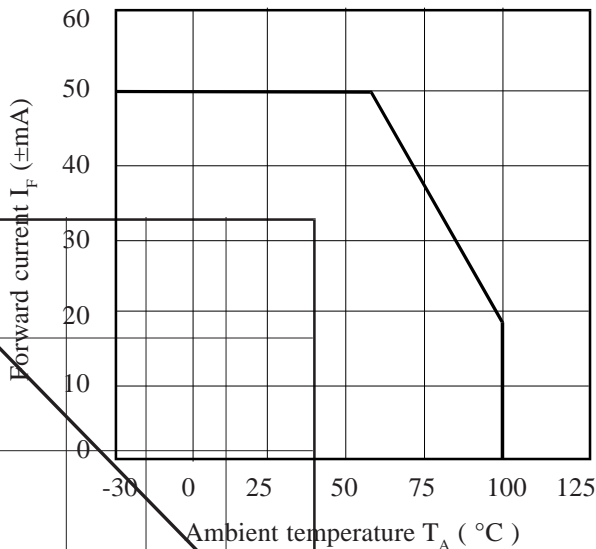
Collector Power Dissipation vs. Ambient Temperature



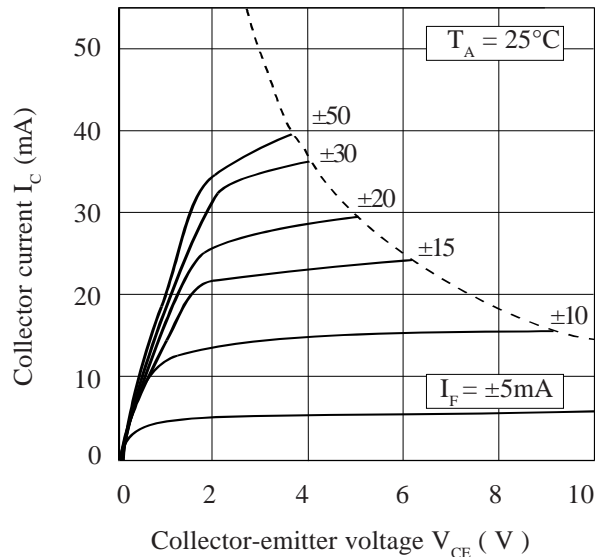
Collector Current vs. Low Collector-emitter Voltage



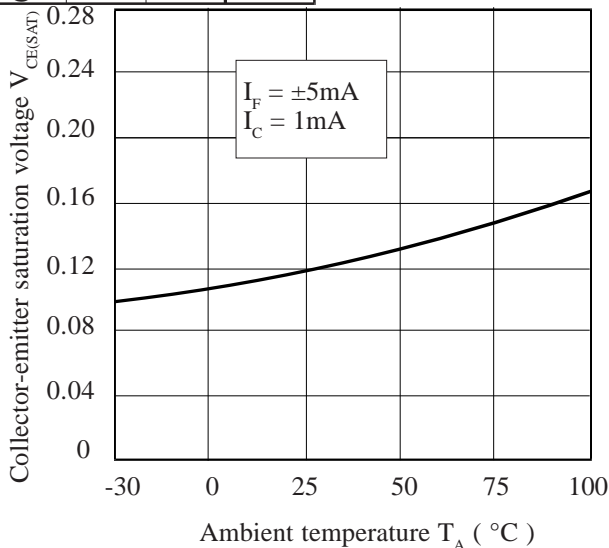
Forward Current vs. Ambient Temperature



Collector Current vs. Collector-emitter Voltage



Collector-emitter Saturation Voltage vs. Ambient Temperature



Current Transfer Ratio vs. Forward Current

