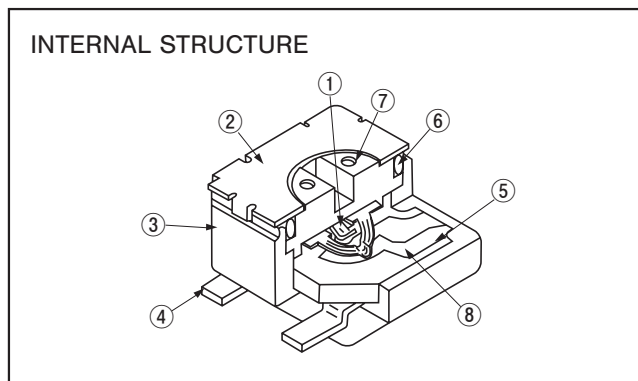


RoHS compliant

## FEATURES

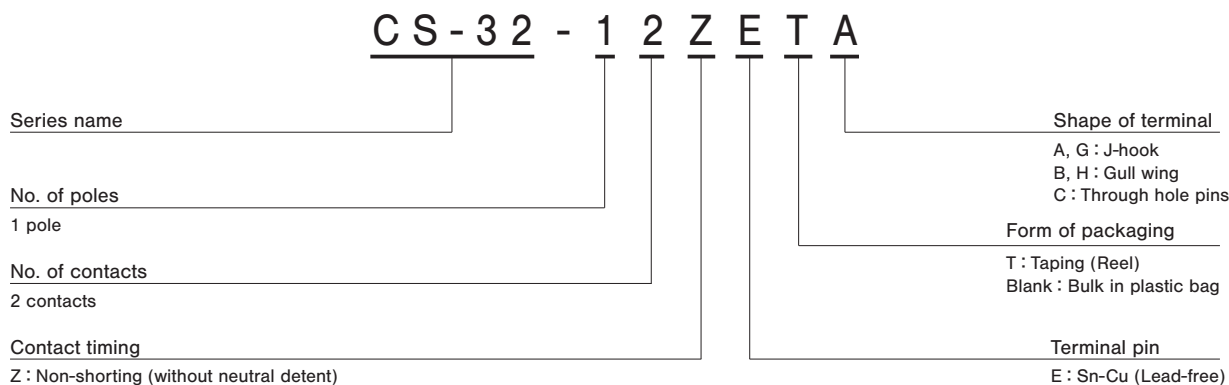
- RoHS compliant
- Optimum for high density board mounting applications
- Compatible with most automatic pick & place machinery
- Protection against dust and washable after soldering
- Top and side setting types are available
- Same dimensions as ST-32 trimmer and conveniently usable as a set
- Resin materials are UL Recognized 94V-0 or 94V-1 equivalent



INTERNAL STRUCTURE

Part name	Material
① Wiper	Multi metal alloy
② Cover	Stainless steel (SUS 304)
③ Housing	Epoxy
④ Terminal pin	Copper alloy, Sn-Cu-plated
⑤ Base element	Ceramic
⑥ "O" ring	Silicone rubber
⑦ Rotor	Polyphenylenesulphide
⑧ Electrode	Ag-Pd cermet

## PART NUMBER DESIGNATION




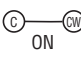
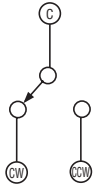


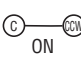
※ Please refer to the LIST OF PART NUMBERS when placing orders.

# CS-32

## ROTARY SELECTOR SWITCHES (SMD)

### SCHEMATICS DIAGRAMS

● 1 pole 2 contacts

Series	Switching specifications	Schematic
CS-32-12ZEA // 12ZEB // 12ZEC // 12ZEG // 12ZEH	  ON	
	 OFF	
	  ON	

### LIST OF PART NUMBERS

Circuit type		Setting position	Form of packaging	A, G J-hook	B, H Gull wing	C Through hole pins	Pieces in package
1 pole 2 contacts	Whitout neutral detent	Top setting	Taping	CS-32-12ZETA	CS-32-12ZETB		500 pcs. /reel
			Plastic bag	CS-32-12ZEA	CS-32-12ZEB	CS-32-12ZEC	100 pcs. /pack
		Side setting	Taping	CS-32-12ZETG	CS-32-12ZETH		500 pcs. /reel
			Plastic bag	CS-32-12ZEG	CS-32-12ZEH		100 pcs. /pack

※ Verify the above part numbers when placing orders.  
Taping version can be supplied only in reel unit.

### STANDARD SPECIFICATIONS

Circuit type	1 pole 2 contacts
Operating temperature range	-40 ~ 85 °C
Storage temperature range	
Sealing	Washable by "O" ring ※ Please refer to page 150, 151
Net weight	Approx. 0.05g (A, B) Approx. 0.06g (C) Approx. 0.11g (G, H)

### ELECTRICAL CHARACTERISTICS

Contact rating	0.5 VA
Maximum current	100 mA
Maximum voltage	16 V
Contact timing	Non-shorting
Contact resistance	2 Ω maximum
Insulation resistance	100 MΩ (DC500 V) minimum
Dielectric strength	AC250 V, 60 s

### MECHANICAL CHARACTERISTICS

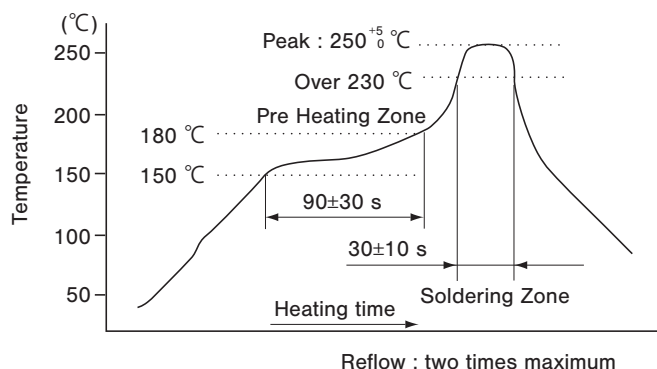
No. of positions	2
Adjustment torque	5 mN·m {51 gf·cm} maximum
Stopper strength	20 mN·m {204 gf·cm} minimum
Stepping angle	250° ± 15°
Solderability	Sn-Cu (lead-free) : 245 ± 3 °C, 2 ~ 3 s
Soldering heat	Sn-Cu (Lead-free) Flow : 260 ± 3 °C as the temperature in a pot of molten solder, immersion from head of terminal to backside of board, 5 ~ 6 s, two times maximum. Reflow : Peak temperature 255 °C (Please refer to the profile below.) Manual soldering : 350 ± 10 °C, 3 ~ 4 s
Shear (Adhesion)	5 N {0.51 kgf}, 10 s
Substrate bending	Width 90 mm, bend 3 mm, 5 s, 1 time
Pull-off strength	5 N {0.51 kgf}, 10 s

{ } : Reference only

### ENVIRONMENTAL CHARACTERISTICS

Vibration	(Amplitude) 1.5 mm or (Acceleration) 98 m/s <sup>2</sup> , 10-500-10 Hz, 3 directions for 3 times each
Shock	490 m/s <sup>2</sup> , 11 ms 6 directions for 3 times each
Load life	50 cycles minimum DC16 V 30 mA
Humidity (Steady state)	Relative humidity 90 ~ 95 %, 240 h
High temperature exposure	85 °C, 96 h
Low temperature exposure	-40 °C, 96 h
Thermal shock	-40 (0.5 h) ~ 85 °C (0.5 h), 5 cycles

### <Reflow profile for soldering heat evaluation>



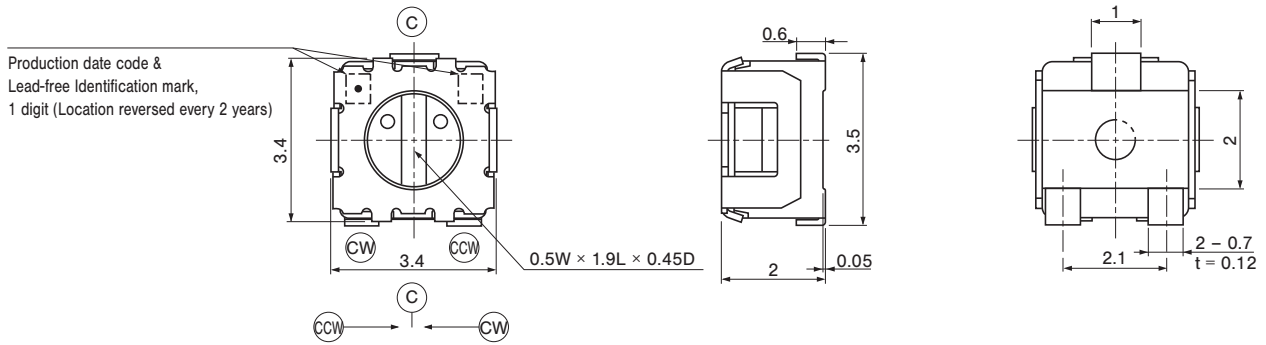
# CS-32

## ROTARY SELECTOR SWITCHES (SMD)

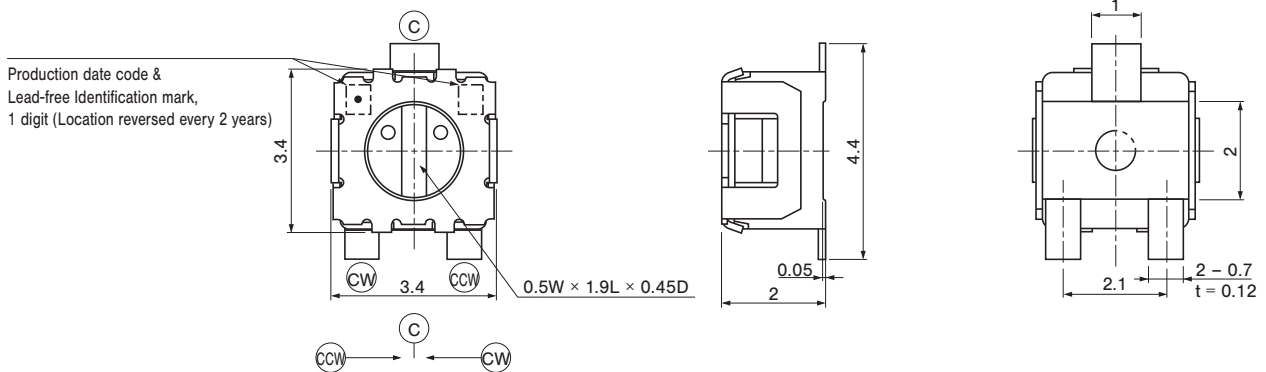
### OUTLINE DIMENSIONS

Unless otherwise specified, tolerance:  $\pm 0.3$  (Unit: mm)

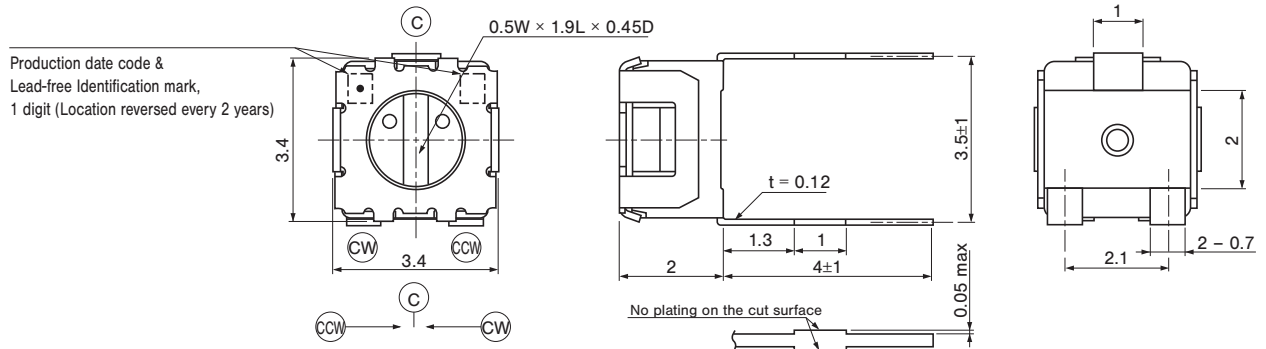
#### CS-32-12ZEA



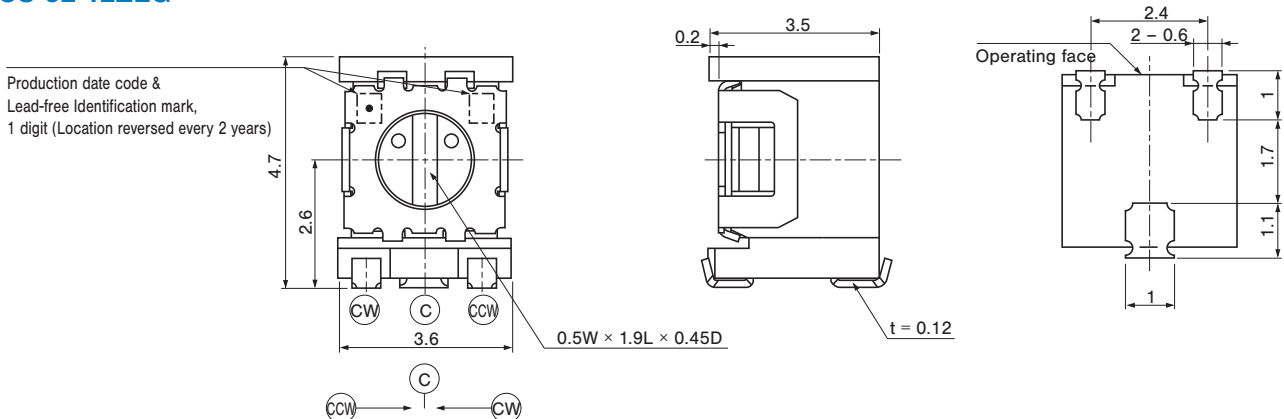
#### CS-32-12ZEB



#### CS-32-12ZEC



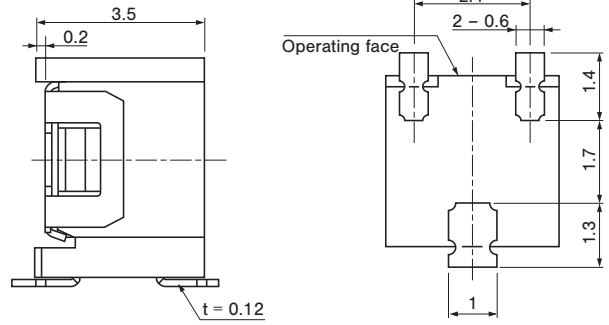
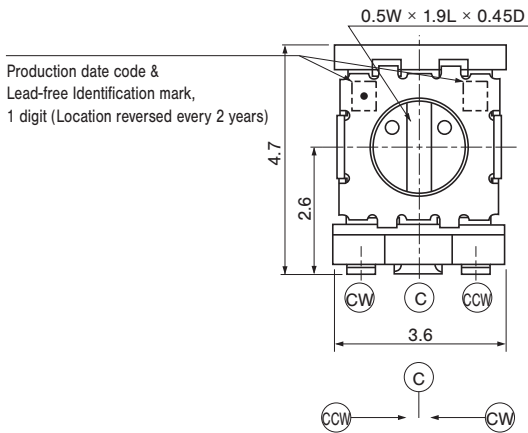
#### CS-32-12ZEG



### OUTLINE DIMENSIONS

#### CS-32-12ZEH

Unless otherwise specified, tolerance:  $\pm 0.3$  (Unit: mm)

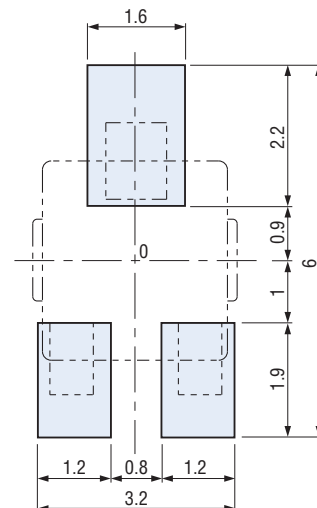
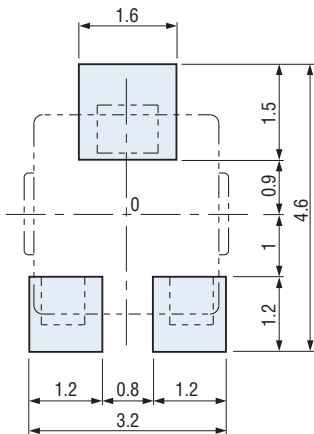


### RECOMMENDED P.C.B. PAD OUTLINE DIMENSIONS

#### CS-32-12ZEA, 12ZEG

#### CS-32-12ZEB, 12ZEH

(Unit: mm)



- Note 1) The zero point is the center of mounting.
- Note 2) The land patterns conform to EIAJ RC2161.
- Note 3) The land patterns are for reflow soldering.

# CS-32

## ROTARY SELECTOR SWITCHES (SMD)

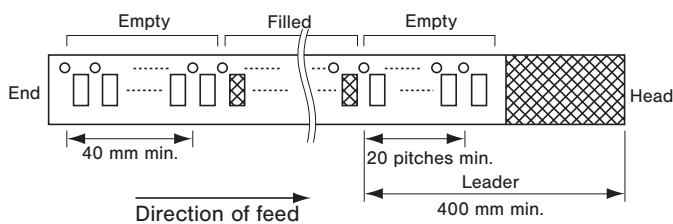
### PACKAGING SPECIFICATIONS

#### <Taping packaging specifications>

- Taping version is packaged in 500 pcs. per reel.  
Orders will be accepted for units of 500 pcs., i.e., 500, 1000, 1500 pcs., etc.
- CS-32ZETA and ZETB versions are boxed with 4 reels (2000 pcs.). CS-32ZETG and ZETH versions are boxed with one reel (500 pcs.)

Maximum number of consecutive missing pieces = 2  
Leader length and reel dimension are shown in the diagrams below:

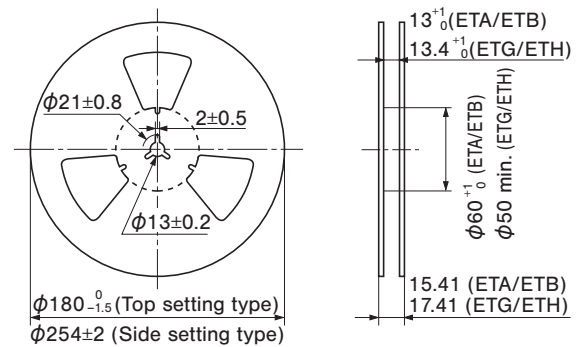
#### ● Embossed tape dimensions



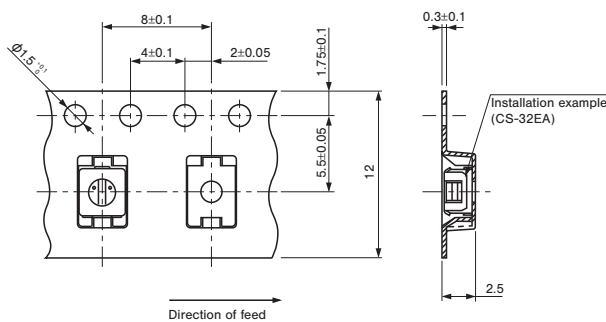
#### ● Reel dimensions

(Conforms to JIS C 0806-3)  
(In accordance with EIAJ ET-7200A)

(Unit: mm)

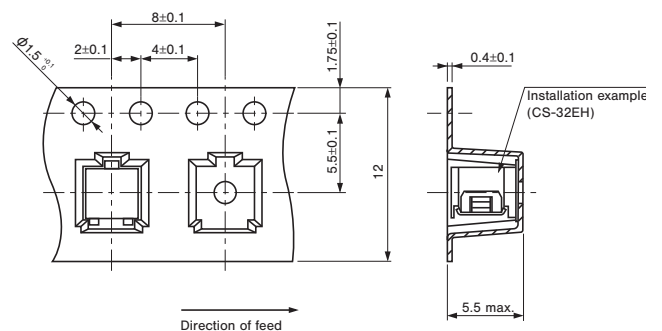


#### ● CS-32-12ZETA/CS-32-12ZETB



#### ● CS-32-12ZETG/CS-32-12ZETH

(Unit: mm)  
(Conforms to JIS C 0806)



#### <Bulk pack specifications>

- The smallest unit of bulk pack in a plastic bag is 10 pcs. per pack. Orders will be accepted for unit of minimum 10 pcs., i.e., 10, 20, 30 pcs., etc.
- Boxing of bulk in a plastic bag is performed with 100 pcs. (standard 500 pcs.) per box.