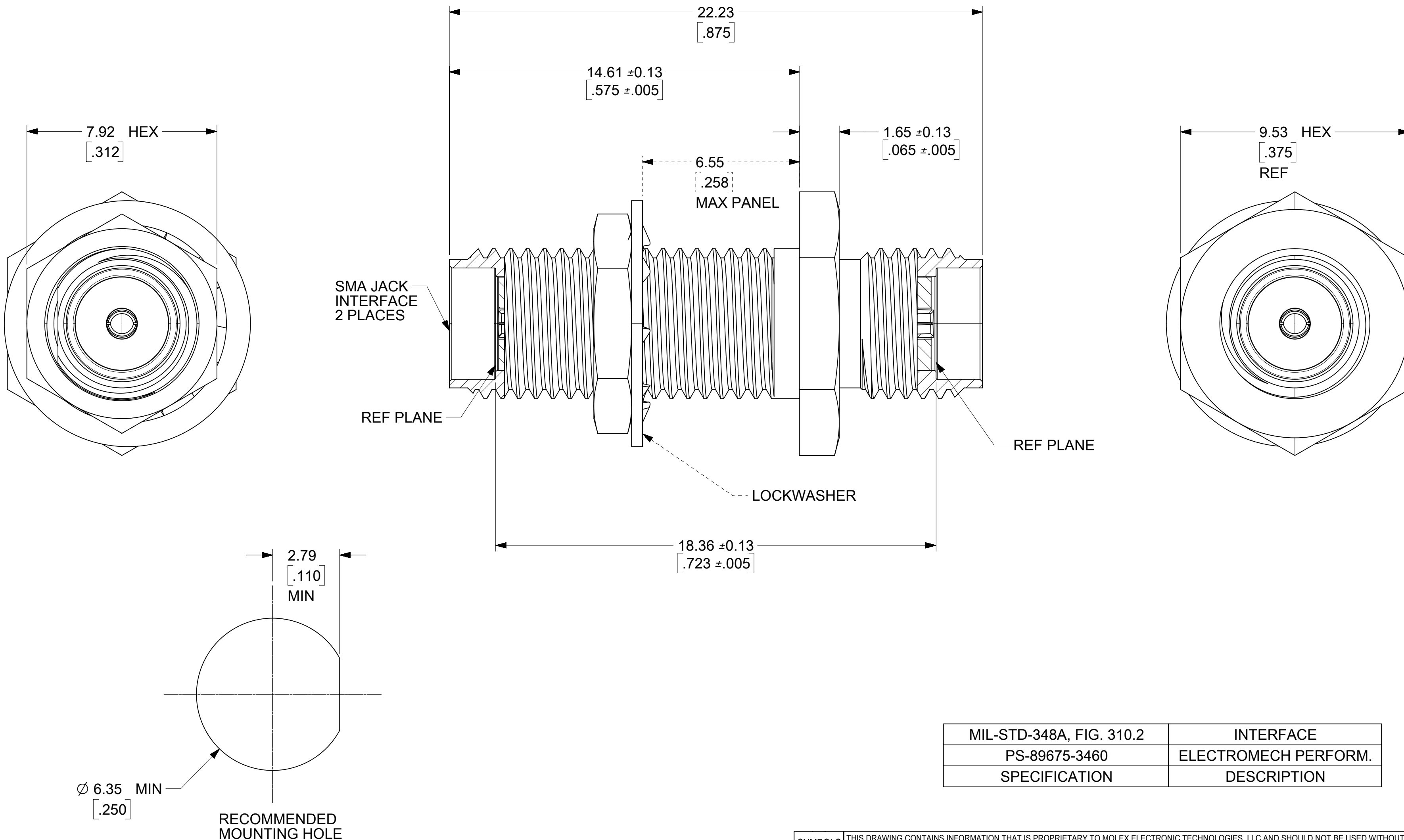
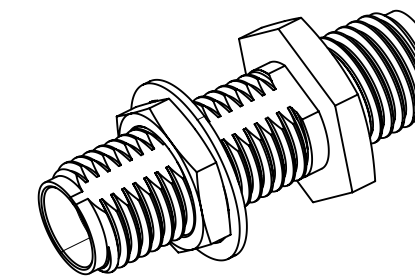


MATERIALS AND FINISHES

BODY, NUT AND WASHER STAINLESS STEEL
PASSIVATED

CENTER CONTACT BERYLLIUM COPPER
PLATED GOLD (50 MICROINCHES MIN)

INSULATOR TEFLON



MIL-STD-348A, FIG. 310.2	INTERFACE
PS-89675-3460	ELECTROMECH PERFORM.
SPECIFICATION	DESCRIPTION

73251-0361	ONE PIECE 73251-0360 PER BAG
73251-0360	STANDARD PACKAGING
PART NO.	PACKAGING

SYMBOLS		THIS DRAWING CONTAINS INFORMATION THAT IS PROPRIETARY TO MOLEX ELECTRONIC TECHNOLOGIES, LLC AND SHOULD NOT BE USED WITHOUT WRITTEN PERMISSION	
▽ = 0	DIMENSION UNITS	SCALE	CURRENT REV DESC: MIGRATED TO NX
▽ = 0	MM/IN		
▽ = 0	GENERAL TOLERANCES (UNLESS SPECIFIED)		
▽ = 0	ANGULAR TOL	± 2.0°	
▽ = 0	4 PLACES	±	EC NO: 177040
▽ = 0	3 PLACES	±	DRWN: SMAHESHBABU 2018/02/22
▽ = 0	2 PLACES	±	CHK'D: CWEI02 2018/05/22
▽ = 0	1 PLACE	±	APPR: YCHENG 2018/05/23
▽ = 0	0 PLACES	±	INITIAL REVISION:
▽ = 0	DRAFT WHERE APPLICABLE MUST REMAIN WITHIN DIMENSIONS		DRWN: EDC 1997/12/05
▽ = 0	THIRD ANGLE PROJECTION		APPR: GMH 1998/01/09
▽ = 0	DRAWING	SERIES	
▽ = 0	C-SIZE	73251	
DOCUMENT STATUS		DOC TYPE	DOC PART
P1	RELEASE DATE	PSD	001
2018/05/23	07:33:24	SD-73251-036	A5
MATERIAL NUMBER		CUSTOMER	SHEET NUMBER
SEE TABLE		GENERAL MARKET	1 OF 1

DOCUMENT STATUS	P1	RELEASE DATE	2018/05/23	07:33:24
-----------------	----	--------------	------------	----------