

Preliminary Technical Document**Evaluation Board for AD5676R, Dual, 12-Bit, Serial Voltage-Output DAC****FEATURES**

- Full-featured evaluation board for the [AD5697R](#)
- On-board reference
- Various link options
- PC control in conjunction with Analog Devices System development platform (SDP)
- PC software for control of DACs
- On-board ADC for voltage readback

PACKAGE CONTENTS

- AD5697R evaluation board
- AD5697R device
- CD that includes
 - Self-installing software that allows users to control the board and exercise all functions of the device
 - Electronic version of the datasheet
 - Electronic version of EVAL-AD5697RSDZ application note

GENERAL DESCRIPTION

The Analog Devices, Inc., AD5697R evaluation board is designed to help customers quickly prototype new AD5697R circuits and reduce design time. The AD5697R operates from a single 2.7 V to 5.5 V supply. The part incorporates an internal 2.5 V on-board reference to give an output voltage span of 2.5 V or 5 V. The on-chip reference is on at power-up. The part must be written to after power-up to turn off the internal reference.

Full data on the AD5697R may be found in the data sheet available from Analog Devices and should be consulted in conjunction with this data sheet when using the evaluation board.

The evaluation board interfaces to the USB port of an IBM compatible PC via the SDP board. Software is available with the evaluation board which allows the user to easily program the AD5697R.

The software has a simulation mode option to mimic the operation of the DAC without the use of the evaluation board. The System Demonstration Platform board can be ordered separately via www.analog.com.

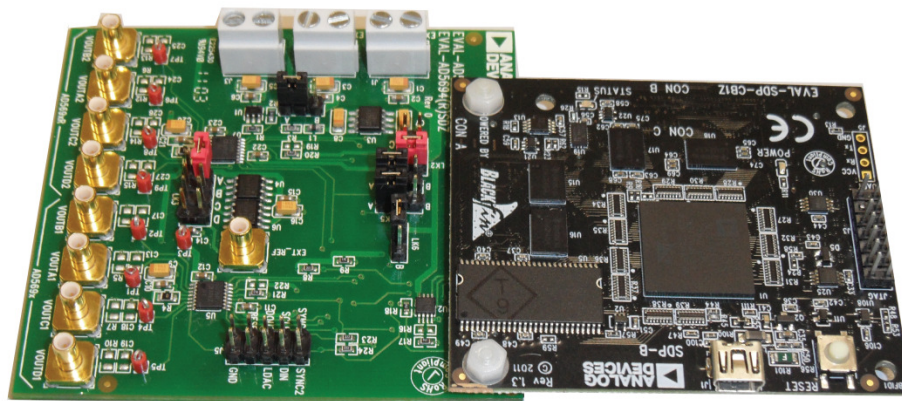


Figure 1. Universal Evaluation Board

EVALUATION BOARD HARDWARE

POWER SUPPLIES

To power the AD5697R evaluation board supply 6V between the 6V terminal and GND inputs for the analog supply.

All supplies are decoupled to ground with 10 μ F tantalum and 0.1 μ F ceramic capacitors.

Table 1. Power Supply Connector

Connector No.	Voltage
J1	External Logic/Digital positive power supply, VDD.
J2	Analog positive power supply, VDD.
J3	Analog positive power supply, to ADP3331. For single-supply operation, supply 6V.

LINK OPTIONS

A number of link and switch options are incorporated in the evaluation board and should be set for the required operating setup before using the board. The functions of these link options are described in detail in Table 3. Table 2 describes the positions of the different links to control the evaluation board by PC, via the USB port, using the AD5669 is single-supply mode.

Table 2. Link Options Setup for SDP Control (Default)

Link No.	Options
LK1	A
LK2	A
LK3	DESERTED
LK4	A
LK5	A
LK6	A

Table 3. Link Functions

Link No.	Option
LK1	This selects the power source for the AD5697R: <ul style="list-style-type: none"> Position A selects internal VDD coming from the ADP3331 Position B selects the use of an external supply(J2).
LK2	This link selects the logics source for the AD5697R: <ul style="list-style-type: none"> Position A selects VIO, the voltage supply from the System Demonstration Platform. Position B selects EXT_VLOGIC(J1). Position C selects VDD power source(See LK1).
LK3	This link selects the reference source for AD5697R: <ul style="list-style-type: none"> Position A selects the AD5696R's(U7) 2.5V on-chip reference. Position B selects the ADR431. Position C selects the REF195. Position D selects the external SMB connector EXT_REF.
LK4	This link selects the Gain pin of the AD5697R: <ul style="list-style-type: none"> Position A selects Logic HIGH and a gain of 2 (0V to 5V output voltage range). Position B selects Logic LOW and a gain of 1 (0V to 2.5V output voltage range).
LK5	This link selects the RSTSEL pin on the AD5697R: <ul style="list-style-type: none"> Position A selects reset to midscale. Position B selects reset to zero-scale.
LK6	This link selects the pull-up voltage for the i2C interface: <ul style="list-style-type: none"> Position A selects the AVDD analog circuitry power supply source. Position B selects the on-board 5 V reference as the power supply source.

EVALUATION BOARD SOFTWARE

INSTALLING THE SOFTWARE

The EVAL-AD5696RSDZ/ EVAL-AD5694RSDZ evaluation kit includes self-installing software on CD. The software is compatible with Windows® XP, Windows Vista (32-/64-bits) and Windows 7 (32-/64-bits).

Install the software before connecting the SDP board to the USB port of the PC. This ensures that the SDP board is recognized when it connects to the PC.

1. Start the Windows® operating system and insert CD.
2. The installation software must open automatically. If it does not, run the **setup.exe** file from the CD.
3. After installation is completed, power-up the evaluation board as described in the Power Supplies section
4. Plug the EVAL-AD5696RSDZ/ EVAL-AD5694RSDZ into the SDP board and the SDP board into the PC using the USB cable included in the box.
5. When the software detects the evaluation board, proceed through any dialog boxes that appear to finalize the installation.

RUNNING THE SOFTWARE

To run the program, do the following:

1. Click **Start > All Programs > Analog Devices > AD5696R/ AD56964R > AD5696R/ AD5694R Evaluation Software**. To uninstall the program, click **Start > Control Panel > Add or Remove Programs > AD5696R/ AD5694R Evaluation Software**.
2. If the SDP board is not connected to the USB port when the software is launched, a connectivity error is displayed (see Figure 2). Simply connect the evaluation board to the USB port of the PC, wait a few seconds, click **Rescan**, and follow the instructions.

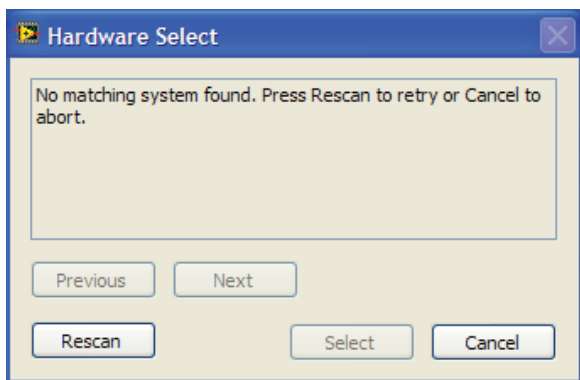


Figure 2. Pop-Up Window Error

3. If the SDP board is not connected to the evaluation boards a message box appears as shown in Figure 3. Check the connection between the SDP and EVAL-AD5696SDZ/ EVAL-AD5694SDZ boards and or use simulation mode.

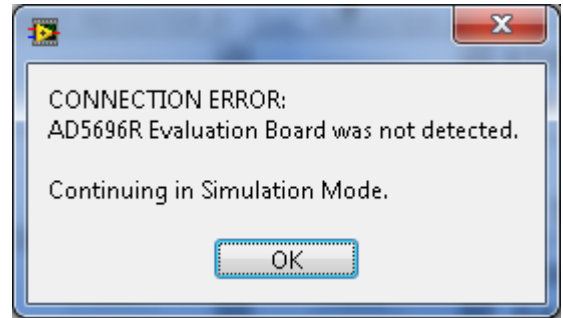


Figure 3. Simulation Mode Message

4. If the SDP board is connect the System Development Platform will connect for a brief period.

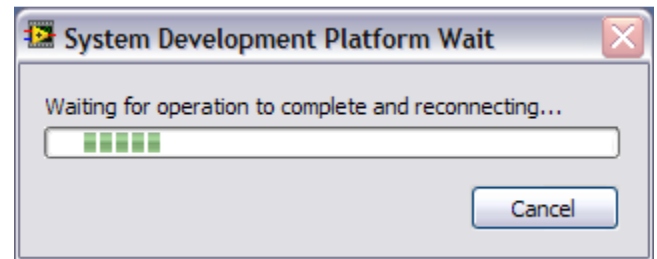


Figure 4. System Develop Platform Wait Window

5. The main window of the AD5696R evaluation software then opens, as shown in Figure 5.

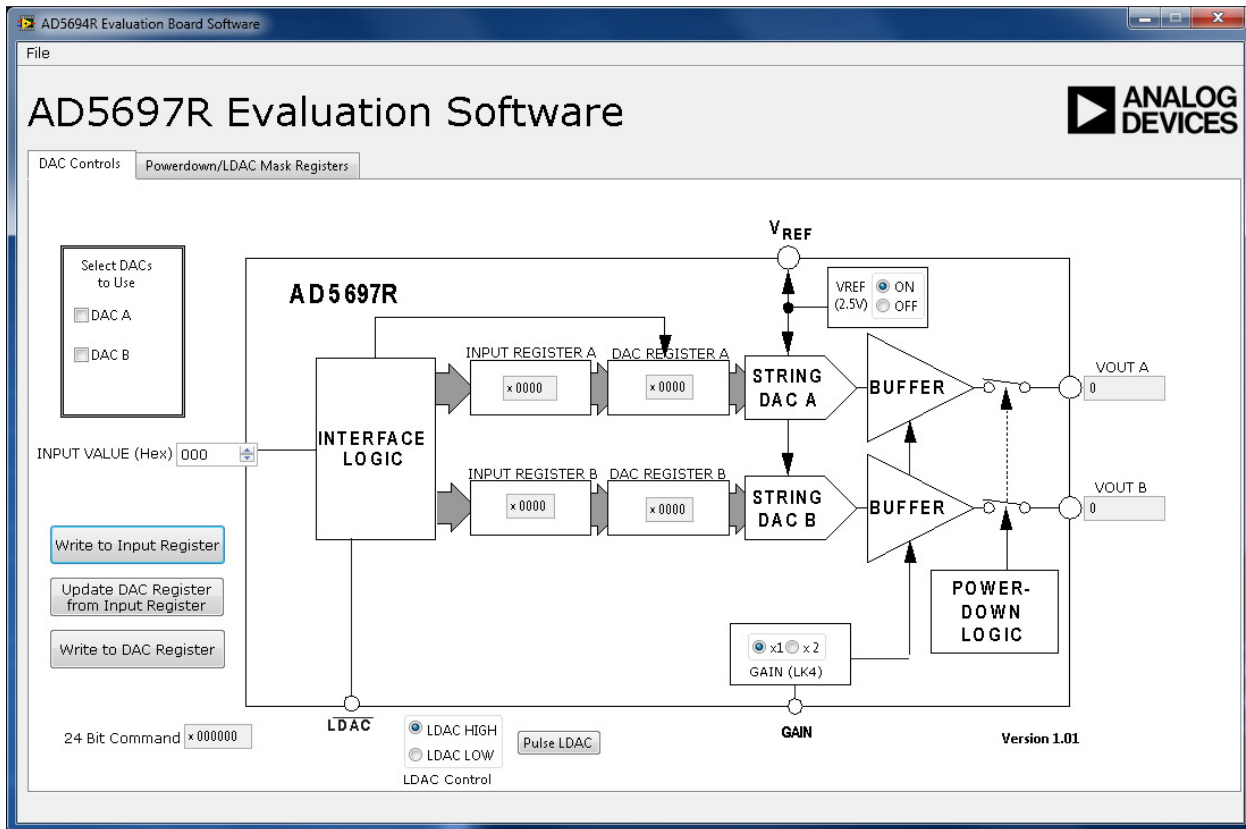


Figure 5. AD5697R Evaluation Board Main Window

SOFTWARE OPERATION

From the **Analog Devices** menu, click **Start > All Programs > Analog Devices > AD5697R > AD5697R SDP Evaluation Software**.

For older PCs, click **Start > Programs > Analog Devices > AD5697R > AD5697R SDP Evaluation Software**.

The AD5696R/AD5694R main window opens, as shown in Figure 5. The data programmed into the 24 bit input shift register is displayed. You can select the different write commands by clicking on the buttons.

To select a command with which to program the part, select the appropriate channel in the **Select DACs to Use** section.

Under **Data Bits**, type the data in decimal format. To execute click **Write to Part**. You must click **Write to Part** to execute all writes to the part.

The AD5697R evaluation board lets you set up the power down.

DAC bits, the clear code register bits and the LDAC register bits, by selecting the appropriate option from the drop down menu under **Command Menu** and clicking **Write to Part**. You can also set the register bits for the required mode of operation. Consult the AD5697R datasheet for details.

Set /LDAC and /RESET to High or Low by clicking the corresponding checkbox under **Hardware Pins**. This command is executed immediately so there is no need to click **Write to**

Part

EVALUATION BOARD SCHEMATICS AND ARTWORK

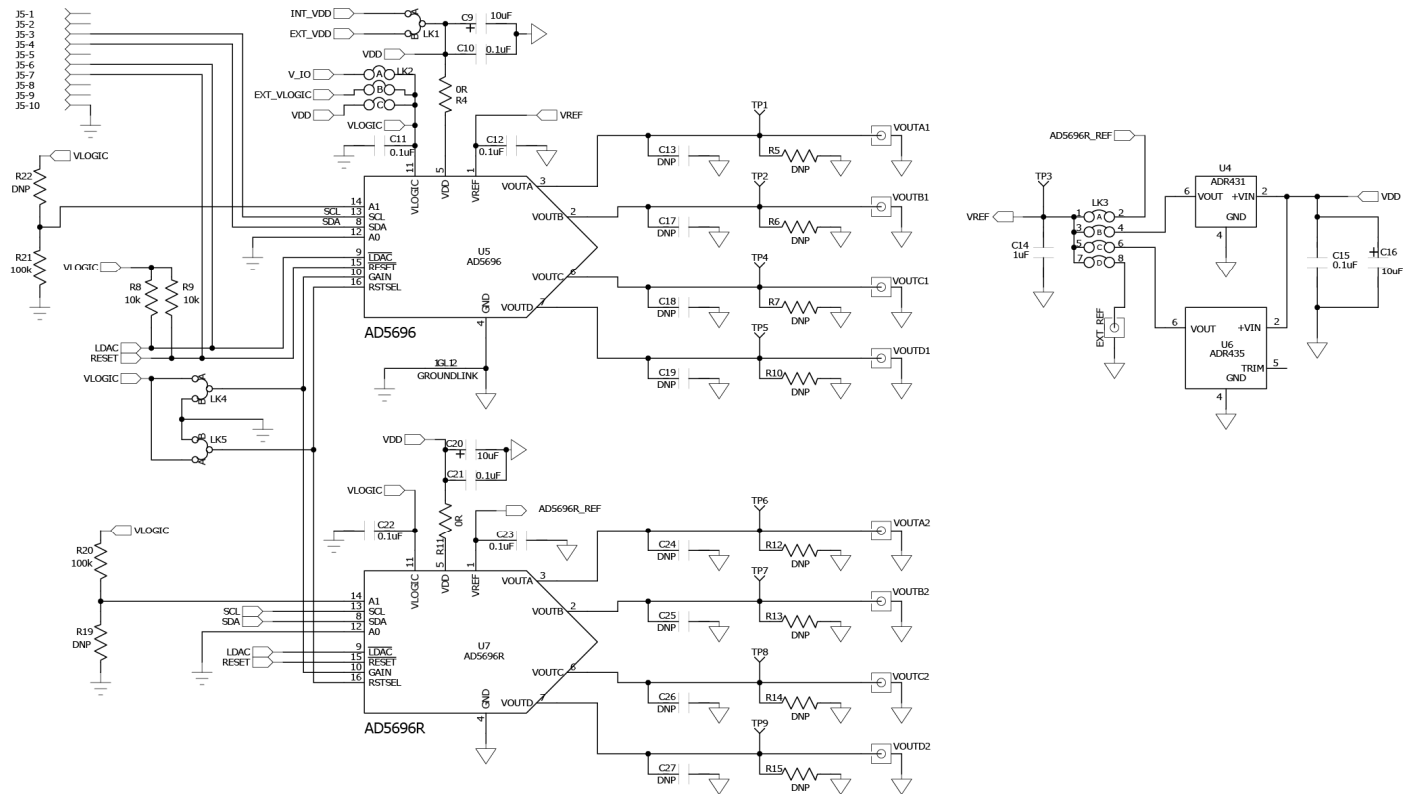


Figure 6. Schematic of AD5669 Evaluation Circuitry

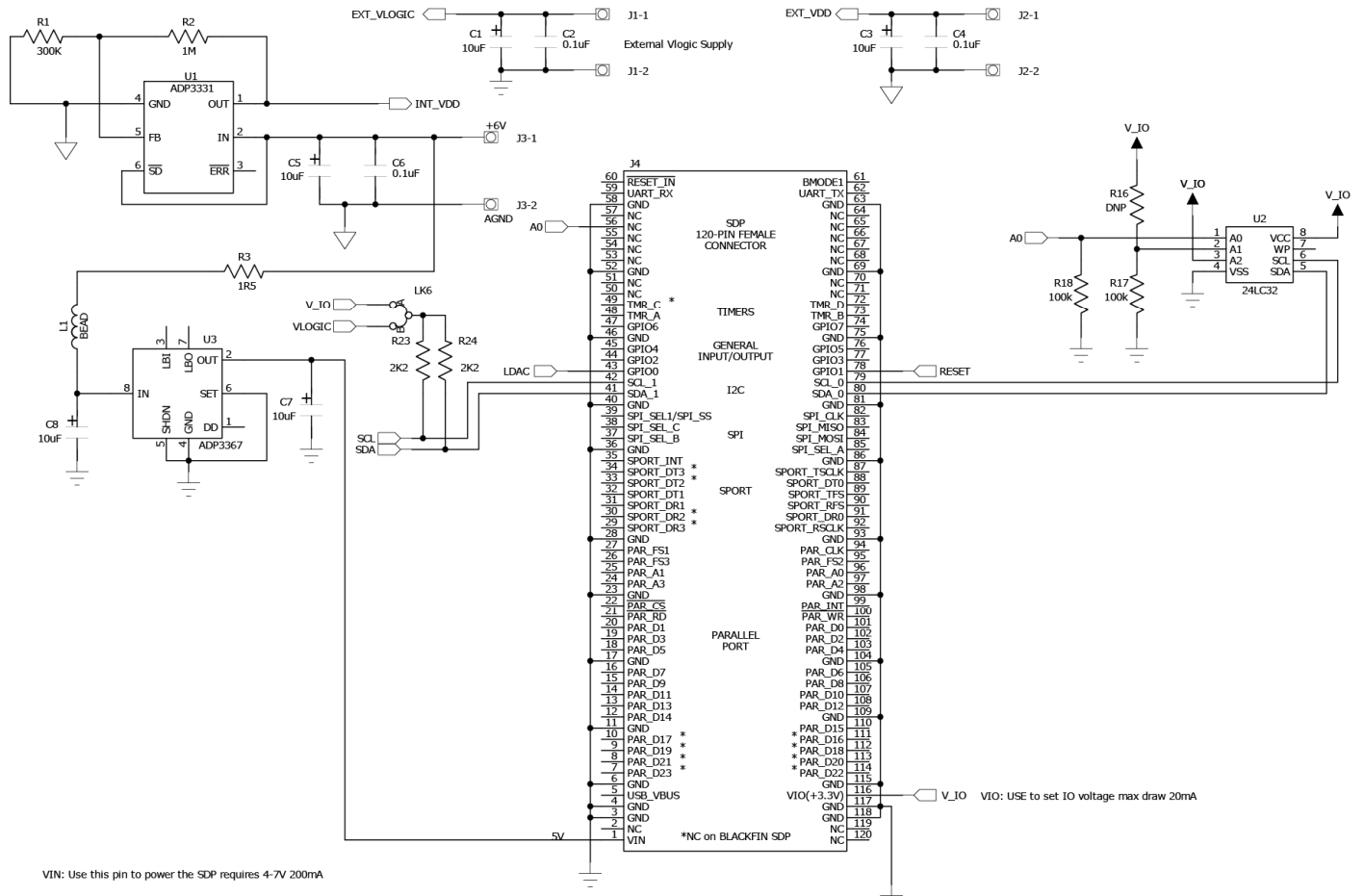


Figure 7. Schematic of SDP Connector

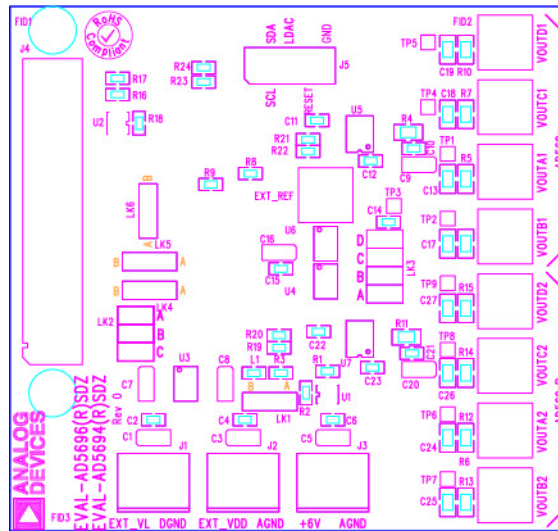


Figure 8. Component Placement Drawing

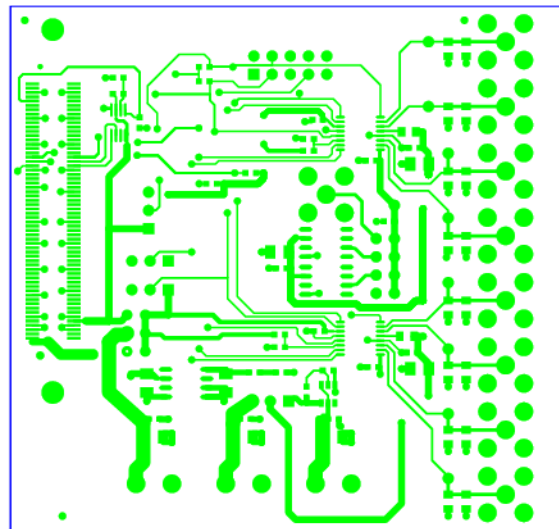


Figure 9. Component Side PCB Drawing

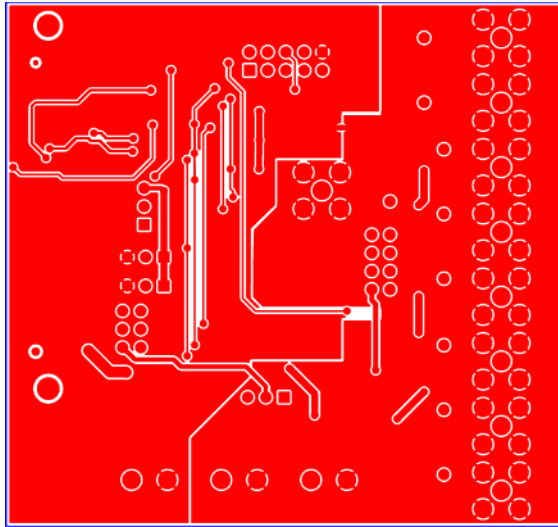


Figure 10. Solder Side PCB Drawing

ORDERING INFORMATION

COMPONENTS LIST

Table 4.

Qty	Reference Designator	Description	Supplier/Part Number
1	U5	Quad, 16bit, DAC	AD5694BUZ/AD5696BUZ
1	U7	Quad, 16bit, DAC	AD5694BRUZ/AD5696BRUZ
10	C2,C4,C6,C10,C11,C12,C15,C21,C22,C23	0.1µF Capacitor	FEC 8820023
2	R4, R11	0Ω Resistor	FEC 9333681
4	R17, R18, R20, R21	100kΩ Resistor	FEC 9330402
2	R8, R9	10kΩ Resistor	FEC 933-0399
8	C1, C3, C5, C7, C8, C9, C16, C20	10 µF Capacitor	FEC 197-130
1	R2	1M Ω Resistor	Digikey RMCF1/161MFRCT-ND
1	R3	1.5Ω Resistor	FEC 9331832
1	C14	1µF Capacitor	FEC 318-8840
2	R23, R24	2.2kΩ Resistor	FEC 157 7611
1	R1	300kΩ Resistor	Digikey 541-300KHCT-ND
1	L1	Inductor, 600 ohms @ 100MHz	Digikey 490-1024-1-ND
9	EXT_REF, VOUTA1, VOUTA2, VOUTB1, VOUTB2, VOUTC1, VOUTC2, VOUTD1, VOUTD2	PCB Mount SMB Jack	FEC 1206013
3	J1-3	2 Pin Terminal Block (5mm Pitch)	FEC 151789
2	Lk2, Lk3	6/8 Pin 0.1" Header & Shorting Block	FEC 150-411
1	J4	120-Way Female Connector, 0.6mm Pitch	FEC 1324660
1	J5	10 Pin (2x5) 0.1" Pitch SMT Header	FEC 1022244
	Lk4, Lk5, Lk6	JUMPER BLOCK USING 3 PIN SIP HEADER	FEC 1022248
9	TP1-9	Test Point	FEC 8731144 (Pack)
1	U1	Adjustable LDO Regulator	ADP3331ARTZ
1	U2	32K I2C Serial EEPROM	FEC 1331330
1	U3	+5V Fixed, Adjustable Voltage Regulator	ADP3367ARZ
1	U6	XREF Voltage Reference	ADR435ARZ

NOTES



ESD Caution

ESD (electrostatic discharge) sensitive device. Charged devices and circuit boards can discharge without detection. Although this product features patented or proprietary protection circuitry, damage may occur on devices subjected to high energy ESD. Therefore, proper ESD precautions should be taken to avoid performance degradation or loss of functionality.

Legal Terms and Conditions

By using the evaluation board discussed herein (together with any tools, components documentation or support materials, the "Evaluation Board"), you are agreeing to be bound by the terms and conditions set forth below ("Agreement") unless you have purchased the Evaluation Board, in which case the Analog Devices Standard Terms and Conditions of Sale shall govern. Do not use the Evaluation Board until you have read and agreed to the Agreement. Your use of the Evaluation Board shall signify your acceptance of the Agreement. This Agreement is made by and between you ("Customer") and Analog Devices, Inc. ("ADI"), with its principal place of business at One Technology Way, Norwood, MA 02062, USA. Subject to the terms and conditions of the Agreement, ADI hereby grants to Customer a free, limited, personal, temporary, non-exclusive, non-sublicensable, non-transferable license to use the Evaluation Board FOR EVALUATION PURPOSES ONLY. Customer understands and agrees that the Evaluation Board is provided for the sole and exclusive purpose referenced above, and agrees not to use the Evaluation Board for any other purpose. Furthermore, the license granted is expressly made subject to the following additional limitations: Customer shall not (i) rent, lease, display, sell, transfer, assign, sublicense, or distribute the Evaluation Board; and (ii) permit any Third Party to access the Evaluation Board. As used herein, the term "Third Party" includes any entity other than ADI, Customer, their employees, affiliates and in-house consultants. The Evaluation Board is NOT sold to Customer; all rights not expressly granted herein, including ownership of the Evaluation Board, are reserved by ADI. CONFIDENTIALITY. This Agreement and the Evaluation Board shall all be considered the confidential and proprietary information of ADI. Customer may not disclose or transfer any portion of the Evaluation Board to any other party for any reason. Upon discontinuation of use of the Evaluation Board or termination of this Agreement, Customer agrees to promptly return the Evaluation Board to ADI. ADDITIONAL RESTRICTIONS. Customer may not disassemble, decompile or reverse engineer chips on the Evaluation Board. Customer shall inform ADI of any occurred damages or any modifications or alterations it makes to the Evaluation Board, including but not limited to soldering or any other activity that affects the material content of the Evaluation Board. Modifications to the Evaluation Board must comply with applicable law, including but not limited to the RoHS Directive. TERMINATION. ADI may terminate this Agreement at any time upon giving written notice to Customer. Customer agrees to return to ADI the Evaluation Board at that time. LIMITATION OF LIABILITY. THE EVALUATION BOARD PROVIDED HEREUNDER IS PROVIDED "AS IS" AND ADI MAKES NO WARRANTIES OR REPRESENTATIONS OF ANY KIND WITH RESPECT TO IT. ADI SPECIFICALLY DISCLAIMS ANY REPRESENTATIONS, ENDORSEMENTS, GUARANTEES, OR WARRANTIES, EXPRESS OR IMPLIED, RELATED TO THE EVALUATION BOARD INCLUDING, BUT NOT LIMITED TO, THE IMPLIED WARRANTY OF MERCHANTABILITY, TITLE, FITNESS FOR A PARTICULAR PURPOSE OR NON-INFRINGEMENT OF INTELLECTUAL PROPERTY RIGHTS. IN NO EVENT WILL ADI AND ITS LICENSORS BE LIABLE FOR ANY INCIDENTAL, SPECIAL, INDIRECT, OR CONSEQUENTIAL DAMAGES RESULTING FROM CUSTOMER'S POSSESSION OR USE OF THE EVALUATION BOARD, INCLUDING BUT NOT LIMITED TO LOST PROFITS, DELAY COSTS, LABOR COSTS OR LOSS OF GOODWILL. ADI'S TOTAL LIABILITY FROM ANY AND ALL CAUSES SHALL BE LIMITED TO THE AMOUNT OF ONE HUNDRED US DOLLARS (\$100.00). EXPORT. Customer agrees that it will not directly or indirectly export the Evaluation Board to another country, and that it will comply with all applicable United States federal laws and regulations relating to exports. GOVERNING LAW. This Agreement shall be governed by and construed in accordance with the substantive laws of the Commonwealth of Massachusetts (excluding conflict of law rules). Any legal action regarding this Agreement will be heard in the state or federal courts having jurisdiction in Suffolk County, Massachusetts, and Customer hereby submits to the personal jurisdiction and venue of such courts. The United Nations Convention on Contracts for the International Sale of Goods shall not apply to this Agreement and is expressly disclaimed.