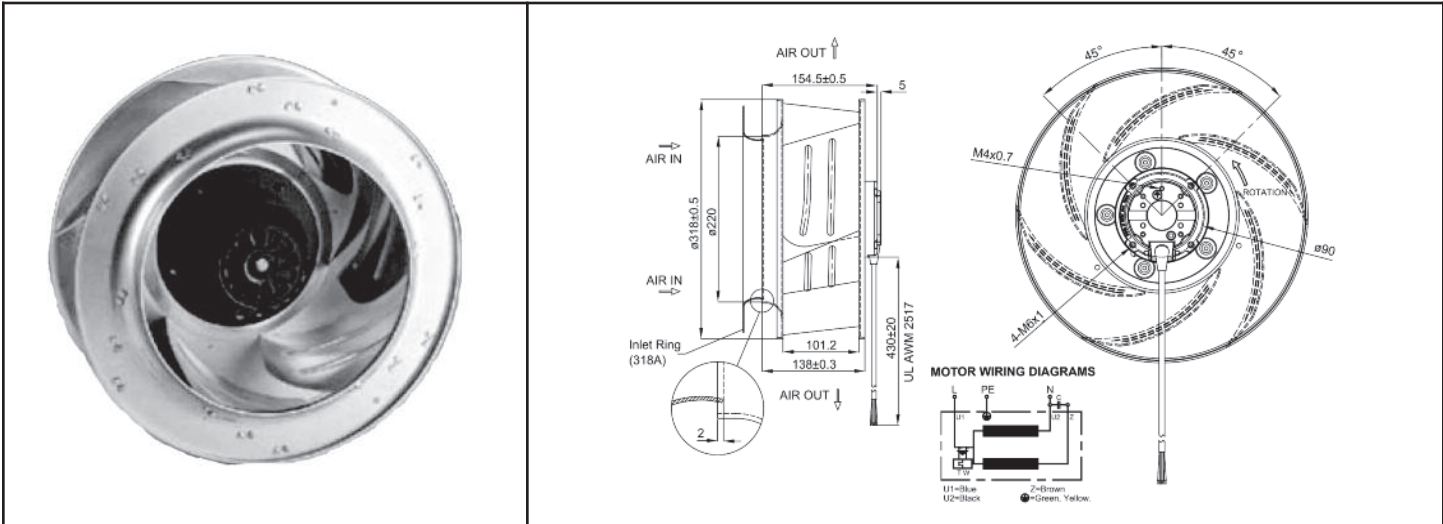


# OAB318 Series



AC Blower - 115V, 230V  
318 x 154.5mm (12.5"x 6.1")



Frame	Diecast Aluminum	<b>Notes:</b> Date: 030112M2  *CAPACITORS (uF/VDB) 115V - 16/250 230V - 4/450 (Capacitor Included)  Weight: ~ 8.6 lbs.	
Impeller	Metal alloy		
Connection	4x Lead Wires		
Motor	AC capacitor drive*, impedance and thermally protected		
Bearing System	Ball Bearing		
Insulation Resistance	10M ohm between lead wire and frame (500VDC)		
Dielectric Strength	1 second at 500VAC, max. leakage < 500 MicroAmp		
Temperature Range	-20C ~ +80C (ball)		
Life Expectancy	60,000 hours L10 (40C)		

Model Number	OAB318-11-1B	OAB318-22-1B
Nominal Voltage	115VAC	230VAC
Voltage Range	108 ~ 125VAC	210 ~ 240VAC
Nominal Current (Amps)	1.10 / 1.40 [ 50/60Hz ]	0.60 / 0.68 [ 50/60Hz ]
Locked Current (Amps)	2.60 / 2.40 [ 50/60Hz ]	1.43 / 1.31 [ 50/60Hz ]
Input Power (Watts)	115 / 155	115 / 155
Rated Speed (RPM)	1390 / 1580	1390 / 1580
Airflow (CFM)	1015 / 1165	1015 / 1165
Max. Static Pressure	1.2 / 1.6" H <sub>2</sub> O	1.2 / 1.6" H <sub>2</sub> O
Noise Level (dB)	63 / 66	63 / 66