

Precision Micropower Shunt Voltage Reference

General Description

Ideal for space critical applications, the LM4040 precision voltage reference is available in the sub-miniature SC70 and SOT-23 surface-mount package. The LM4040's advanced design eliminates the need for an external stabilizing capacitor while ensuring stability with any capacitive load, thus making the LM4040 easy to use. Further reducing design effort is the availability of several fixed reverse breakdown voltages: 2.048V, 2.500V, 3.000V, 4.096V, 5.000V, 8.192V, and 10.000V. The minimum operating current increases from 60 μ A for the LM4040-2.5 to 100 μ A for the LM4040-10.0. All versions have a maximum operating current of 15 mA.

The LM4040 utilizes fuse and zener-zap reverse breakdown voltage trim during wafer sort to ensure that the prime parts have an accuracy of better than $\pm 0.1\%$ (A grade) at 25°C. Bandgap reference temperature drift curvature correction and low dynamic impedance ensure stable reverse breakdown voltage accuracy over a wide range of operating temperatures and currents.

Also available is the LM4041 with two reverse breakdown voltage versions: adjustable and 1.2V. Please see the LM4041 data sheet.

Features

- 2.5V/SOT-23 AEC Q-100 Grades 1 and 3 available
- Small packages: SOT-23, TO-92 and SC70
- No output capacitor required
- Tolerates capacitive loads
- Fixed reverse breakdown voltages of 2.048V, 2.500V, 3.000V, 4.096V, 5.000V, 8.192V, and 10.000V

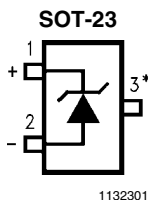
Key Specifications (LM4040-2.5)

■ Output voltage tolerance (A grade, 25°C)	$\pm 0.1\%$ (max)
■ Low output noise (10 Hz to 10 kHz)	35 μ V _{rms} (typ)
■ Wide operating current range	60 μ A to 15 mA
■ Industrial temperature range	-40°C to +85°C
■ Extended temperature range	-40°C to +125°C
■ Low temperature coefficient	100 ppm/°C (max)

Applications

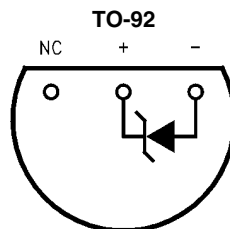
- Portable, Battery-Powered Equipment
- Data Acquisition Systems
- Instrumentation
- Process Control
- Energy Management
- Product Testing
- Automotive
- Precision Audio Components

Connection Diagrams

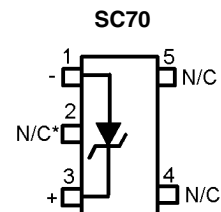


*This pin must be left floating or connected to pin 2.

Top View
See NS Package Number MF03A
(JEDEC Registration TO-236AB)



Bottom View
See NS Package Number Z03A



*This pin must be left floating or connected to pin 1.

Top View
See NS Package Number MAA05A

Ordering Information for Industrial (I) and Extended (E) Temperature Grades

V _R Tolerance at 25°C and Average V _R Temperature Coefficient	Package				
	SOT-23 (MF03A)		SC70 (MAA05A)		TO-92 (Z03A)
	Reel of 1000 Units	Reel of 3000 Units	Reel of 1000 Units	Reel of 3000 Units	Box of 1800 Units
±0.1% 100 ppm/°C max -40°C to +85°C (A grade) (I temperature)	LM4040AIM3-2.0	LM4040AIM3X-2.0	—	—	—
	LM4040AIM3-2.5	LM4040AIM3X-2.5	—	—	LM4040AIZ-2.5
	LM4040AIM3-3.0	LM4040AIM3X-3.0	—	—	—
	LM4040AIM3-4.1	LM4040AIM3X-4.1	—	—	LM4040AIZ-4.1
	LM4040AIM3-5.0	LM4040AIM3X-5.0	—	—	LM4040AIZ-5.0
	—	—	—	—	—
	LM4040AIM3-10.0	LM4040AIM3X-10.0	—	—	LM4040AIZ-10.0
±0.2% 100 ppm/°C max -40°C to +85°C (B grade) (I temperature)	LM4040BIM3-2.0	LM4040BIM3X-2.0	LM4040BIM7-2.0	—	—
	LM4040BIM3-2.5	LM4040BIM3X-2.5	LM4040BIM7-2.5	LM4040BIM7X-2.5	LM4040BIZ-2.5
	LM4040BIM3-3.0	LM4040BIM3X-3.0	—	—	—
	LM4040BIM3-4.1	LM4040BIM3X-4.1	—	—	LM4040BIZ-4.1
	LM4040BIM3-5.0	LM4040BIM3X-5.0	LM4040BIM7-5.0	—	LM4040BIZ-5.0
	LM4040BIM3-8.2	—	—	—	—
	LM4040BIM3-10.0	LM4040BIM3X-10.0	—	—	LM4040BIZ-10.0
±0.5% 100 ppm/°C max -40°C to +125°C (C grade) (E temperature)	LM4040CEM3-2.5	—	—	—	—
	LM4040CEM3-3.0	LM4040CEM3X-3.0	—	—	—
	—	—	—	—	—
	LM4040CEM3-5.0	LM4040CEM3X-5.0	—	—	—
±0.5% 100 ppm/°C max -40°C to +85°C (C grade) (I temperature)	LM4040CIM3-2.0	LM4040CIM3X-2.0	LM4040CIM7-2.0	—	—
	LM4040CIM3-2.5	LM4040CIM3X-2.5	LM4040CIM7-2.5	LM4040CIM7X-2.5	LM4040CIZ-2.5
	LM4040CIM3-3.0	LM4040CIM3X-3.0	—	—	—
	LM4040CIM3-4.1	LM4040CIM3X-4.1	—	—	LM4040CIZ-4.1
	LM4040CIM3-5.0	LM4040CIM3X-5.0	—	—	LM4040CIZ-5.0
	LM4040CIM3-8.2	—	—	—	—
	LM4040CIM3-10.0	LM4040CIM3X-10.0	—	—	LM4040CIZ-10.0
±1.0% 150 ppm/°C max -40°C to +125°C (D grade) (E temperature)	LM4040DEM3-2.0	LM4040DEM3X-2.0	—	—	—
	LM4040DEM3-2.5	LM4040DEM3X-2.5	—	—	—
	LM4040DEM3-3.0	LM4040DEM3X-3.0	—	—	—
	—	—	—	—	—
	LM4040DEM3-5.0	LM4040DEM3X-5.0	—	—	—
±1.0% 150 ppm/°C max -40°C to +85°C (D grade) (I temperature)	LM4040DIM3-2.0	LM4040DIM3X-2.0	LM4040DIM7-2.0	—	—
	LM4040DIM3-2.5	LM4040DIM3X-2.5	LM4040DIM7-2.5	—	LM4040DIZ-2.5
	LM4040DIM3-3.0	LM4040DIM3X-3.0	—	—	—
	LM4040DIM3-4.1	LM4040DIM3X-4.1	—	—	LM4040DIZ-4.1
	LM4040DIM3-5.0	LM4040DIM3X-5.0	LM4040DIM7-5.0	—	LM4040DIZ-5.0
	LM4040DIM3-8.2	—	—	—	—
	LM4040DIM3-10.0	LM4040DIM3X-10.0	—	—	LM4040DIZ-10.0
±2.0% 150 ppm/°C max -40°C to +125°C (E grade) (E temperature)	—	—	—	—	—
	LM4040EEM3-2.5	LM4040EEM3X-2.5	—	—	—
	LM4040EEM3-3.0	LM4040EEM3X-3.0	—	—	—
±2.0% 150 ppm/°C max -40°C to +85°C (E grade) (I temperature)	—	—	LM4040EIM7-2.0	—	—
	LM4040EIM3-2.5	LM4040EIM3X-2.5	—	—	—
	LM4040EIM3-3.0	LM4040EIM3X-3.0	—	—	—

Ordering Information for Automotive AEC Q-100 (Q) Grade 1 and Grade 3

V_R Tolerance at 25°C and Average V_R Temperature Coefficient	Temperature Range (T_J)	Reel of 1000 Units	Reel of 3000 Units	Package
±0.1% 100 ppm/°C max (A grade)	-40 °C to +85°C AEC Grade 3	— LM4040QAIM3-2.5 —	— LM4040QAIM3X2.5 —	SOT-23 (MF03A)
±0.2% 100 ppm/°C max (B grade)	-40 °C to +85°C AEC Grade 3	— LM4040QBIM3-2.5 —	— LM4040QBIM3X2.5 —	SOT-23 (MF03A)
±0.5% 100 ppm/°C max (C grade)	-40 °C to +125°C AEC Grade 1	— LM4040QCEM3-2.5 —	— — —	SOT-23 (MF03A)
	-40 °C to +85°C AEC Grade 3	— LM4040QCIM3-2.5 —	— LM4040QCIM3X2.5 —	SOT-23 (MF03A)
±1.0% 150 ppm/°C max (D grade)	-40 °C to +125°C AEC Grade 1	— LM4040QDEM3-2.5 —	— — —	SOT-23 (MF03A)
	-40 °C to +85°C AEC Grade 3	— LM4040QDIM3-2.5 —	— LM4040QDIM3X-2.5 —	SOT-23 (MF03A)
±2.0% 150 ppm/°C max (E grade)	-40 °C to +125°C AEC Grade 1	— LM4040QEEM3-2.5 —	— — —	SOT-23 (MF03A)
	-40 °C to +85°C AEC Grade 3	— LM4040QEIM3-2.5 —	— LM4040QEIM3X2.5 —	SOT-23 (MF03A)

SOT-23 AND SC70 Package Marking Information

Only three fields of marking are possible on the SOT-23's and SC70's small surface. This table gives the meaning of the three fields.

First Field: R = Reference	
Second Field: Voltage Option J = 2.048V Voltage Option 2 = 2.500V Voltage Option K = 3.000V Voltage Option 4 = 4.096V Voltage Option 5 = 5.000V Voltage Option 8 = 8.192V Voltage Option 0 = 10.000V Voltage Option	
Third Field: Initial Reverse Breakdown Voltage or Reference Voltage Tolerance A = $\pm 0.1\%$ B = $\pm 0.2\%$ C = $+0.5\%$ D = $\pm 1.0\%$ E = $\pm 2.0\%$	
Part Marking	Field Definition
RJA (SOT-23 only)	Reference, 2.048V, $\pm 0.1\%$
R2A (SOT-23 only)	Reference, 2.500V, $\pm 0.1\%$
RKA (SOT-23 only)	Reference, 3.000V, $\pm 0.1\%$
R4A (SOT-23 only)	Reference, 4.096V, $\pm 0.1\%$
R5A (SOT-23 only)	Reference, 5.000V, $\pm 0.1\%$
R8A (SOT-23 only)	Reference, 8.192V, $\pm 0.1\%$
R0A (SOT-23 only)	Reference, 10.000V, $\pm 0.1\%$
RJB	Reference, 2.048V, $\pm 0.2\%$
R2B	Reference, 2.500V, $\pm 0.2\%$
RKB	Reference, 3.000V, $\pm 0.2\%$
R4B	Reference, 4.096V, $\pm 0.2\%$
R5B	Reference, 5.000V, $\pm 0.2\%$
R8B (SOT-23 only)	Reference, 8.192V, $\pm 0.2\%$
R0B (SOT-23 only)	Reference, 10.000V, $\pm 0.2\%$
RJC	Reference, 2.048V, $\pm 0.5\%$
R2C	Reference, 2.500V, $\pm 0.5\%$
RKC	Reference, 3.000V, $\pm 0.5\%$
R4C	Reference, 4.096V, $\pm 0.5\%$
R5C	Reference, 5.000V, $\pm 0.5\%$
R8C (SOT-23 only)	Reference, 8.192V, $\pm 0.5\%$
R0C (SOT-23 only)	Reference, 10.000V, $\pm 0.5\%$
RJD	Reference, 2.048V, $\pm 1.0\%$
R2D	Reference, 2.500V, $\pm 1.0\%$
RKD	Reference, 3.000V, $\pm 1.0\%$
R4D	Reference, 4.096V, $\pm 1.0\%$
R5D	Reference, 5.000V, $\pm 1.0\%$
R8D (SOT-23 only)	Reference, 8.192V, $\pm 1.0\%$
R0D (SOT-23 only)	Reference, 10.000V, $\pm 1.0\%$
RJE	Reference, 2.048V, $\pm 2.0\%$
R2E	Reference, 2.500V, $\pm 2.0\%$
RKE	Reference, 3.000V, $\pm 2.0\%$

Absolute Maximum Ratings *(Note 1)*

If Military/Aerospace specified devices are required, please contact the Texas Instruments Sales Office/ Distributors for availability and specifications.

Reverse Current	20 mA
Forward Current	10 mA
Power Dissipation ($T_A = 25^\circ\text{C}$) <i>(Note 2)</i>	
SOT-23 (M3) Package	306 mW
TO-92 (Z) Package	550 mW
SC-70 (M7) Package	241 mW
Storage Temperature	-65°C to $+150^\circ\text{C}$
Soldering Temperature <i>(Note 9)</i>	
SOT-23 (M3) Package	
Peak Reflow (30 sec)	$+260^\circ\text{C}$
TO-92 (Z) Package	
Soldering (10 sec)	$+260^\circ\text{C}$
SC-70 (M7) Package	
Peak Reflow (30 sec)	$+260^\circ\text{C}$
ESD Susceptibility	
Human Body Model <i>(Note 3)</i>	2 kV
Machine Model <i>(Note 3)</i>	200V

Operating Ratings *(Note 1, Note 2)*

Temperature Range	$(T_{\min} \leq T_A \leq T_{\max})$
Industrial Temperature Range	$-40^\circ\text{C} \leq T_A \leq +85^\circ\text{C}$
Extended Temperature Range	$-40^\circ\text{C} \leq T_A \leq +125^\circ\text{C}$
Reverse Current	
LM4040-2.0	60 μA to 15 mA
LM4040-2.5	60 μA to 15 mA
LM4040-3.0	62 μA to 15 mA
LM4040-4.1	68 μA to 15 mA
LM4040-5.0	74 μA to 15 mA
LM4040-8.2	91 μA to 15 mA
LM4040-10.0	100 μA to 15 mA

LM4040-2.0 Electrical Characteristics

V_R Tolerance Grades 'A' and 'B'; Temperature Grade 'I'

Boldface limits apply for $T_A = T_J = T_{\min}$ to T_{\max} ; all other limits $T_A = T_J = 25^\circ\text{C}$. The grades A and B designate initial Reverse Breakdown Voltage tolerances of $\pm 0.1\%$ and $\pm 0.2\%$, respectively.

Symbol	Parameter	Conditions	Typical <i>(Note 4)</i>	LM4040AIM3 LM4040AIZ — Limits <i>(Note 5)</i>	LM4040BIM3 LM4040BIZ LM4040BIM7 Limits <i>(Note 5)</i>	Units
V_R	Reverse Breakdown Voltage	$I_R = 100 \mu\text{A}$	2.048			V
	Reverse Breakdown Voltage Tolerance <i>(Note 6)</i>	$I_R = 100 \mu\text{A}$		± 2.0	± 4.1	mV (max)
				± 15	± 17	mV (max)
$I_{R\min}$	Minimum Operating Current		45			μA
				60	60	μA (max)
				65	65	μA (max)
$\Delta V_R/\Delta T$	Average Reverse Breakdown Voltage Temperature Coefficient <i>(Note 6)</i>	$I_R = 10 \text{ mA}$	± 20			ppm/ $^\circ\text{C}$
		$I_R = 1 \text{ mA}$	± 15	± 100	± 100	ppm/ $^\circ\text{C}$ (max)
		$I_R = 100 \mu\text{A}$	± 15			ppm/ $^\circ\text{C}$

Symbol	Parameter	Conditions	Typical (Note 4)	LM4040AIM3 LM4040AIZ — Limits (Note 5)	LM4040BIM3 LM4040BIZ LM4040BIM7 Limits (Note 5)	Units
$\Delta V_R/\Delta I_R$	Reverse Breakdown Voltage Change with Operating Current Change (Note 7)	$I_{RMIN} \leq I_R \leq 1 \text{ mA}$	0.3			mV
				0.8	0.8	mV (max)
				1.0	1.0	mV (max)
		$1 \text{ mA} \leq I_R \leq 15 \text{ mA}$	2.5			mV
				6.0	6.0	mV (max)
				8.0	8.0	mV (max)
Z_R	Reverse Dynamic Impedance	$I_R = 1 \text{ mA}$, $f = 120 \text{ Hz}$, $I_{AC} = 0.1 I_R$	0.3			Ω
				0.8	0.8	Ω (max)
e_N	Wideband Noise	$I_R = 100 \mu\text{A}$ $10 \text{ Hz} \leq f \leq 10 \text{ kHz}$	35			μV_{rms}
ΔV_R	Reverse Breakdown Voltage Long Term Stability	$t = 1000 \text{ hrs}$ $T = 25^\circ\text{C} \pm 0.1^\circ\text{C}$ $I_R = 100 \mu\text{A}$	120			ppm
V_{HYST}	Thermal Hysteresis (Note 8)	$\Delta T = -40^\circ\text{C}$ to $+125^\circ\text{C}$	0.08			%

LM4040-2.0 Electrical Characteristics

V_R Tolerance Grades 'C', 'D', and 'E'; Temperature Grade 'I'

Boldface limits apply for $T_A = T_J = T_{\text{MIN}}$ to T_{MAX} ; all other limits $T_A = T_J = 25^\circ\text{C}$. The grades C, D and E designate initial Reverse Breakdown Voltage tolerances of $\pm 0.5\%$, $\pm 1.0\%$ and $\pm 2.0\%$, respectively.

Symbol	Parameter	Conditions	Typical (Note 4)	LM4040CIM3 LM4040CIZ LM4040CIM7 Limits (Note 5)	LM4040DIM3 LM4040DIZ LM4040DIM7 Limits (Note 5)	— LM4040EIZ LM4040EIM7 Limits (Note 5)	Units
V_R	Reverse Breakdown Voltage	$I_R = 100 \mu\text{A}$	2.048				V
	Reverse Breakdown Voltage Tolerance (Note 6)	$I_R = 100 \mu\text{A}$		± 10	± 20	± 41	mV (max)
I_{RMIN}	Minimum Operating Current		45				μA
				60	65	65	μA (max)
				65	70	70	μA (max)
$\Delta V_R/\Delta T$	Average Reverse Breakdown Voltage Temperature Coefficient (Note 6)	$I_R = 10 \text{ mA}$	± 20				ppm/ $^\circ\text{C}$
		$I_R = 1 \text{ mA}$	± 15	± 100	± 150	± 150	ppm/ $^\circ\text{C}$ (max)
		$I_R = 100 \mu\text{A}$	± 15				ppm/ $^\circ\text{C}$
$\Delta V_R/\Delta I_R$	Reverse Breakdown Voltage Change with Operating Current Change (Note 7)	$I_{RMIN} \leq I_R \leq 1 \text{ mA}$	0.3				mV
				0.8	1.0	1.0	mV (max)
				1.0	1.2	1.2	mV (max)
		$1 \text{ mA} \leq I_R \leq 15 \text{ mA}$	2.5				mV
				6.0	8.0	8.0	mV (max)
				8.0	10.0	10.0	mV (max)
Z_R	Reverse Dynamic Impedance	$I_R = 1 \text{ mA}$, $f = 120 \text{ Hz}$ $I_{AC} = 0.1 I_R$	0.3				Ω
				0.9	1.1	1.1	Ω (max)
e_N	Wideband Noise	$I_R = 100 \mu\text{A}$ $10 \text{ Hz} \leq f \leq 10 \text{ kHz}$	35				μV_{rms}

Symbol	Parameter	Conditions	Typical (Note 4)	LM4040CIM3 LM4040CIZ LM4040CIM7 Limits (Note 5)	LM4040DIM3 LM4040DIZ LM4040DIM7 Limits (Note 5)	— LM4040EIZ LM4040EIM7 Limits (Note 5)	Units
ΔV_R	Reverse Breakdown Voltage Long Term Stability	t = 1000 hrs T = 25°C ±0.1°C I _R = 100 μA	120				ppm
V _{HYST}	Thermal Hysteresis (Note 8)	ΔT = -40°C to +125°C	0.08				%

LM4040-2.0 Electrical Characteristics

V_R Tolerance Grades 'C', 'D', and 'E'; Temperature Grade 'E'

Boldface limits apply for T_A = T_J = T_{MIN} to T_{MAX}; all other limits T_A = T_J = 25°C. The grades C, D and E designate initial Reverse Breakdown Voltage tolerances of ±0.5%, ±1.0% and ±2.0%, respectively.

Symbol	Parameter	Conditions	Typical (Note 4)	LM4040CEM3 Limits (Note 5)	LM4040DEM3 Limits (Note 5)	LM4040EEM3 Limits (Note 5)	Units
V _R	Reverse Breakdown Voltage	I _R = 100 μA	2.048				V
	Reverse Breakdown Voltage Tolerance (Note 6)	I _R = 100 μA		±10 ±30	±20 ±50	±41 ±70	mV (max) mV (max)
I _{RMIN}	Minimum Operating Current		45				μA
				60	65	65	μA (max)
				68	73	73	μA (max)
ΔV _R /ΔT	Average Reverse Breakdown Voltage Temperature Coefficient (Note 6)	I _R = 10 mA	±20				ppm/°C
		I _R = 1 mA	±15	±100	±150	±150	ppm/°C (max)
		I _R = 100 μA	±15				ppm/°C
ΔV _R /ΔI _R	Reverse Breakdown Voltage Change with Operating Current Change (Note 7)	I _{RMIN} ≤ I _R ≤ 1 mA	0.3				mV
				0.8	1.0	1.0	mV (max)
		1 mA ≤ I _R ≤ 15 mA		1.0	1.2	1.2	mV (max)
			2.5				mV
				6.0	8.0	8.0	mV (max)
				8.0	10.0	10.0	mV (max)
Z _R	Reverse Dynamic Impedance	I _R = 1 mA, f = 120 Hz, I _{AC} = 0.1 I _R	0.3				Ω
				0.9	1.1	1.1	Ω (max)
e _N	Wideband Noise	I _R = 100 μA 10 Hz ≤ f ≤ 10 kHz	35				μV _{rms}
ΔV _R	Reverse Breakdown Voltage Long Term Stability	t = 1000 hrs T = 25°C ±0.1°C I _R = 100 μA	120				ppm
V _{HYST}	Thermal Hysteresis (Note 8)	ΔT = -40°C to +125°C	0.08				%

LM4040-2.5 Electrical Characteristics

V_R Tolerance Grades 'A' and 'B'; Temperature Grade 'I' (AEC Grade 3)

Boldface limits apply for $T_A = T_J = T_{MIN}$ to T_{MAX} ; all other limits $T_A = T_J = 25^\circ\text{C}$. The grades A and B designate initial Reverse Breakdown Voltage tolerances of $\pm 0.1\%$ and $\pm 0.2\%$, respectively.

Symbol	Parameter	Conditions	Typical (Note 4)	LM4040AIM3 LM4040AIZ — LM4040QAIM3 Limits (Note 5)	LM4040BIM3 LM4040BIZ LM4040BIM7 LM4040QBIM3 Limits (Note 5)	Units
V_R	Reverse Breakdown Voltage	$I_R = 100 \mu\text{A}$	2.500			V
	Reverse Breakdown Voltage Tolerance (Note 6)	$I_R = 100 \mu\text{A}$		± 2.5	± 5.0	mV (max)
I_{RMIN}	Minimum Operating Current		45			μA
				60	60	μA (max)
				65	65	μA (max)
$\Delta V_R/\Delta T$	Average Reverse Breakdown Voltage Temperature Coefficient (Note 6)	$I_R = 10 \text{ mA}$	± 20			ppm/ $^\circ\text{C}$
		$I_R = 1 \text{ mA}$	± 15	± 100	± 100	ppm/ $^\circ\text{C}$ (max)
		$I_R = 100 \mu\text{A}$	± 15			ppm/ $^\circ\text{C}$
$\Delta V_R/\Delta I_R$	Reverse Breakdown Voltage Change with Operating Current Change (Note 7)	$I_{RMIN} \leq I_R \leq 1 \text{ mA}$	0.3			mV
				0.8	0.8	mV (max)
		$1 \text{ mA} \leq I_R \leq 15 \text{ mA}$		1.0	1.0	mV (max)
			2.5			mV
				6.0	6.0	mV (max)
		8.0	8.0	mV (max)		
Z_R	Reverse Dynamic Impedance	$I_R = 1 \text{ mA}$, $f = 120 \text{ Hz}$, $I_{AC} = 0.1 I_R$	0.3			Ω
				0.8	0.8	Ω (max)
e_N	Wideband Noise	$I_R = 100 \mu\text{A}$ $10 \text{ Hz} \leq f \leq 10 \text{ kHz}$	35			μV_{rms}
ΔV_R	Reverse Breakdown Voltage Long Term Stability	$t = 1000 \text{ hrs}$ $T = 25^\circ\text{C} \pm 0.1^\circ\text{C}$ $I_R = 100 \mu\text{A}$	120			ppm
V_{HYST}	Thermal Hysteresis (Note 8)	$\Delta T = -40^\circ\text{C}$ to $+125^\circ\text{C}$	0.08			%

LM4040-2.5 Electrical Characteristics

V_R Tolerance Grades 'C', 'D', and 'E'; Temperature Grade 'I' (AEC Grade 3)

Boldface limits apply for $T_A = T_J = T_{MIN}$ to T_{MAX} ; all other limits $T_A = T_J = 25^\circ\text{C}$. The grades C, D and E designate initial Reverse Breakdown Voltage tolerances of $\pm 0.5\%$, $\pm 1.0\%$ and $\pm 2.0\%$, respectively.

Symbol	Parameter	Conditions	Typical (Note 4)	LM4040CIZ LM4040CIM3 LM4040CIM7 LM4040QCIM3	LM4040DIZ LM4040DIM3 LM4040DIM7 LM4040QDIM3	LM4040EIZ LM4040EIM3 LM4040EIM7 LM4040QEIM3	Units
				Limits (Note 5)	Limits (Note 5)	Limits (Note 5)	
V_R	Reverse Breakdown Voltage	$I_R = 100 \mu\text{A}$	2.500				V
	Reverse Breakdown Voltage Tolerance (Note 6)	$I_R = 100 \mu\text{A}$		± 12	± 25	± 50	mV (max)
I_{RMIN}	Minimum Operating Current		45				μA
				60	65	65	μA (max)
				65	70	70	μA (max)
$\Delta V_R/\Delta T$	Average Reverse Breakdown Voltage Temperature Coefficient (Note 6)	$I_R = 10 \text{ mA}$	± 20				ppm/ $^\circ\text{C}$
		$I_R = 1 \text{ mA}$	± 15	± 100	± 150	± 150	ppm/ $^\circ\text{C}$ (max)
		$I_R = 100 \mu\text{A}$	± 15				ppm/ $^\circ\text{C}$
$\Delta V_R/\Delta I_R$	Reverse Breakdown Voltage Change with Operating Current Change (Note 7)	$I_{RMIN} \leq I_R \leq 1 \text{ mA}$	0.3				mV
				0.8	1.0	1.0	mV (max)
		$1 \text{ mA} \leq I_R \leq 15 \text{ mA}$		1.0	1.2	1.2	mV (max)
			2.5				mV
				6.0	8.0	8.0	mV (max)
	8.0	10.0	10.0	mV (max)			
Z_R	Reverse Dynamic Impedance	$I_R = 1 \text{ mA}$, $f = 120 \text{ Hz}$ $I_{AC} = 0.1 I_R$	0.3				Ω
				0.9	1.1	1.1	Ω (max)
e_N	Wideband Noise	$I_R = 100 \mu\text{A}$ $10 \text{ Hz} \leq f \leq 10 \text{ kHz}$	35				μV_{rms}
ΔV_R	Reverse Breakdown Voltage Long Term Stability	$t = 1000 \text{ hrs}$ $T = 25^\circ\text{C} \pm 0.1^\circ\text{C}$ $I_R = 100 \mu\text{A}$	120				ppm
V_{HYST}	Thermal Hysteresis (Note 8)	$\Delta T = -40^\circ\text{C}$ to $+125^\circ\text{C}$	0.08				%

LM4040-2.5 Electrical Characteristics

V_R Tolerance Grades 'C', 'D', and 'E'; Temperature Grade 'E' (AEC Grade 1)

Boldface limits apply for $T_A = T_J = T_{MIN}$ to T_{MAX} ; all other limits $T_A = T_J = 25^\circ\text{C}$. The grades C, D and E designate initial Reverse Breakdown Voltage tolerances of $\pm 0.5\%$, $\pm 1.0\%$ and $\pm 2.0\%$, respectively.

Symbol	Parameter	Conditions	Typical (Note 4)	LM4040CEM3 LM4040QCEM3 Limits (Note 5)	LM4040DEM3 LM4040QDEM3 Limits (Note 5)	LM4040EEM3 LM4040QEEM3 Limits (Note 5)	Units
V_R	Reverse Breakdown Voltage	$I_R = 100 \mu\text{A}$	2.500				V
	Reverse Breakdown Voltage Tolerance (Note 6)	$I_R = 100 \mu\text{A}$		± 12 ± 38	± 25 ± 63	± 50 ± 88	mV (max) mV (max)
I_{RMIN}	Minimum Operating Current		45				μA
				60	65	65	μA (max)
				68	73	73	μA (max)
$\Delta V_R/\Delta T$	Average Reverse Breakdown Voltage Temperature Coefficient (Note 6)	$I_R = 10 \text{ mA}$	± 20				ppm/ $^\circ\text{C}$
		$I_R = 1 \text{ mA}$	± 15	± 100	± 150	± 150	ppm/ $^\circ\text{C}$ (max)
		$I_R = 100 \mu\text{A}$	± 15				ppm/ $^\circ\text{C}$
$\Delta V_R/\Delta I_R$	Reverse Breakdown Voltage Change with Operating Current Change (Note 7)	$I_{RMIN} \leq I_R \leq 1 \text{ mA}$	0.3				mV
				0.8	1.0	1.0	mV (max)
		$1 \text{ mA} \leq I_R \leq 15 \text{ mA}$		1.0	1.2	1.2	mV (max)
			2.5				mV
				6.0	8.0	8.0	mV (max)
		8.0	10.0	10.0	mV (max)		
Z_R	Reverse Dynamic Impedance	$I_R = 1 \text{ mA}$, $f = 120 \text{ Hz}$, $I_{AC} = 0.1 I_R$	0.3				Ω
				0.9	1.1	1.1	Ω (max)
e_N	Wideband Noise	$I_R = 100 \mu\text{A}$ $10 \text{ Hz} \leq f \leq 10 \text{ kHz}$	35				μV_{rms}
ΔV_R	Reverse Breakdown Voltage Long Term Stability	$t = 1000 \text{ hrs}$ $T = 25^\circ\text{C} \pm 0.1^\circ\text{C}$ $I_R = 100 \mu\text{A}$	120				ppm
V_{HYST}	Thermal Hysteresis (Note 8)	$\Delta T = -40^\circ\text{C}$ to $+125^\circ\text{C}$	0.08				%

LM4040-3.0 Electrical Characteristics

V_R Tolerance Grades 'A' and 'B'; Temperature Grade 'I'

Boldface limits apply for $T_A = T_J = T_{MIN}$ to T_{MAX} ; all other limits $T_A = T_J = 25^\circ\text{C}$. The grades A and B designate initial Reverse Breakdown Voltage tolerances of $\pm 0.1\%$ and $\pm 0.2\%$, respectively.

Symbol	Parameter	Conditions	Typical (Note 4)	LM4040AIM3 LM4040AIZ — Limits (Note 5)	LM4040BIM3 LM4040BIZ LM4040BIM7 Limits (Note 5)	Units
V_R	Reverse Breakdown Voltage	$I_R = 100 \mu\text{A}$	3.000			V
	Reverse Breakdown Voltage Tolerance (Note 6)	$I_R = 100 \mu\text{A}$		± 3.0	± 6.0	mV (max)
				± 22	± 26	mV (max)
I_{RMIN}	Minimum Operating Current		47			μA
				62	62	μA (max)
				67	67	μA (max)
$\Delta V_R/\Delta T$	Average Reverse Breakdown Voltage Temperature Coefficient (Note 6)	$I_R = 10 \text{ mA}$	± 20			ppm/ $^\circ\text{C}$
		$I_R = 1 \text{ mA}$	± 15	± 100	± 100	ppm/ $^\circ\text{C}$ (max)
		$I_R = 100 \mu\text{A}$	± 15			ppm/ $^\circ\text{C}$
$\Delta V_R/\Delta I_R$	Reverse Breakdown Voltage Change with Operating Current Change (Note 7)	$I_{RMIN} \leq I_R \leq 1 \text{ mA}$	0.6			mV
				0.8	0.8	mV (max)
				1.1	1.1	mV (max)
		$1 \text{ mA} \leq I_R \leq 15 \text{ mA}$	2.7			mV
				6.0	6.0	mV (max)
		9.0	9.0	mV (max)		
Z_R	Reverse Dynamic Impedance	$I_R = 1 \text{ mA}$, $f = 120 \text{ Hz}$, $I_{AC} = 0.1 I_R$	0.4			Ω
				0.9	0.9	Ω (max)
e_N	Wideband Noise	$I_R = 100 \mu\text{A}$ $10 \text{ Hz} \leq f \leq 10 \text{ kHz}$	35			μV_{rms}
ΔV_R	Reverse Breakdown Voltage Long Term Stability	$t = 1000 \text{ hrs}$ $T = 25^\circ\text{C} \pm 0.1^\circ\text{C}$ $I_R = 100 \mu\text{A}$	120			ppm
V_{HYST}	Thermal Hysteresis (Note 8)	$\Delta T = -40^\circ\text{C}$ to $+125^\circ\text{C}$	0.08			%

LM4040-3.0 Electrical Characteristics

V_R Tolerance Grades 'C', 'D', and 'E'; Temperature Grade 'I'

Boldface limits apply for $T_A = T_J = T_{MIN}$ to T_{MAX} ; all other limits $T_A = T_J = 25^\circ\text{C}$. The grades C, D and E designate initial Reverse Breakdown Voltage tolerances of $\pm 0.5\%$, $\pm 1.0\%$ and $\pm 2.0\%$, respectively.

Symbol	Parameter	Conditions	Typical (Note 4)	LM4040CIM3 LM4040CIZ LM4040CIM7 Limits (Note 5)	LM4040DIM3 LM4040DIZ LM4040DIM7 Limits (Note 5)	LM4040EIM7 LM4040EIZ — Limits (Note 5)	Units
V_R	Reverse Breakdown Voltage	$I_R = 100 \mu\text{A}$	3.000				V
	Reverse Breakdown Voltage Tolerance (Note 6)	$I_R = 100 \mu\text{A}$		± 15 ± 34	± 30 ± 59	± 60 ± 89	mV (max) mV (max)
I_{RMIN}	Minimum Operating Current		45				μA
				60	65	65	μA (max)
				65	70	70	μA (max)
$\Delta V_R/\Delta T$	Average Reverse Breakdown Voltage Temperature Coefficient (Note 6)	$I_R = 10 \text{ mA}$	± 20				ppm/ $^\circ\text{C}$
		$I_R = 1 \text{ mA}$	± 15	± 100	± 150	± 150	ppm/ $^\circ\text{C}$ (max)
		$I_R = 100 \mu\text{A}$	± 15				ppm/ $^\circ\text{C}$
$\Delta V_R/\Delta I_R$	Reverse Breakdown Voltage Change with Operating Current Change (Note 7)	$I_{RMIN} \leq I_R \leq 1 \text{ mA}$	0.4				mV
				0.8	1.1	1.1	mV (max)
		$1 \text{ mA} \leq I_R \leq 15 \text{ mA}$		1.1	1.3	1.3	mV (max)
				2.7			mV
				6.0	8.0	8.0	mV (max)
		9.0	11.0	11.0	mV (max)		
Z_R	Reverse Dynamic Impedance	$I_R = 1 \text{ mA}$, $f = 120 \text{ Hz}$ $I_{AC} = 0.1 I_R$	0.4				Ω
				0.9	1.2	1.2	Ω (max)
e_N	Wideband Noise	$I_R = 100 \mu\text{A}$ $10 \text{ Hz} \leq f \leq 10 \text{ kHz}$	35				μV_{rms}
ΔV_R	Reverse Breakdown Voltage Long Term Stability	$t = 1000 \text{ hrs}$ $T = 25^\circ\text{C} \pm 0.1^\circ\text{C}$ $I_R = 100 \mu\text{A}$	120				ppm
V_{HYST}	Thermal Hysteresis (Note 8)	$\Delta T = -40^\circ\text{C}$ to $+125^\circ\text{C}$	0.08				%

LM4040-3.0 Electrical Characteristics

V_R Tolerance Grades 'C', 'D', and 'E'; Temperature Grade 'E'

Boldface limits apply for $T_A = T_J = T_{MIN}$ to T_{MAX} ; all other limits $T_A = T_J = 25^\circ\text{C}$. The grades C, D and E designate initial Reverse Breakdown Voltage tolerances of $\pm 0.5\%$, $\pm 1.0\%$ and $\pm 2.0\%$, respectively.

Symbol	Parameter	Conditions	Typical (Note 4)	LM4040CEM3 Limits (Note 5)	LM4040DEM3 Limits (Note 5)	LM4040EEM3 Limits (Note 5)	Units
V_R	Reverse Breakdown Voltage	$I_R = 100 \mu\text{A}$	3.000				V
	Reverse Breakdown Voltage Tolerance (Note 6)	$I_R = 100 \mu\text{A}$		± 15 ± 45	± 30 ± 75	± 60 ± 105	mV (max) mV (max)
I_{RMIN}	Minimum Operating Current		47				μA
				62	67	67	μA (max)
				70	75	75	μA (max)
$\Delta V_R/\Delta T$	Average Reverse Breakdown Voltage Temperature Coefficient (Note 6)	$I_R = 10 \text{ mA}$	± 20				ppm/ $^\circ\text{C}$
		$I_R = 1 \text{ mA}$	± 15	± 100	± 150	± 150	ppm/ $^\circ\text{C}$ (max)
		$I_R = 100 \mu\text{A}$	± 15				ppm/ $^\circ\text{C}$
$\Delta V_R/\Delta I_R$	Reverse Breakdown Voltage Change with Operating Current Change (Note 7)	$I_{RMIN} \leq I_R \leq 1 \text{ mA}$	0.4				mV
			0.8	1.1	1.1	mV (max)	
		$1 \text{ mA} \leq I_R \leq 15 \text{ mA}$	1.1	1.3	1.3	mV (max)	
			2.7			mV	
			6.0	8.0	8.0	mV (max)	
		9.0	11.0	11.0	mV (max)		
Z_R	Reverse Dynamic Impedance	$I_R = 1 \text{ mA}$, $f = 120 \text{ Hz}$, $I_{AC} = 0.1 I_R$	0.4				Ω
				0.9	1.2	1.2	Ω (max)
e_N	Wideband Noise	$I_R = 100 \mu\text{A}$ $10 \text{ Hz} \leq f \leq 10 \text{ kHz}$	35				μV_{rms}
ΔV_R	Reverse Breakdown Voltage Long Term Stability	$t = 1000 \text{ hrs}$ $T = 25^\circ\text{C} \pm 0.1^\circ\text{C}$ $I_R = 100 \mu\text{A}$	120				ppm
V_{HYST}	Thermal Hysteresis (Note 8)	$\Delta T = -40^\circ\text{C}$ to $+125^\circ\text{C}$	0.08				%

LM4040-4.1 Electrical Characteristics

V_R Tolerance Grades 'A' and 'B'; Temperature Grade 'I'

Boldface limits apply for $T_A = T_J = T_{MIN}$ to T_{MAX} ; all other limits $T_A = T_J = 25^\circ\text{C}$. The grades A and B designate initial Reverse Breakdown Voltage tolerances of $\pm 0.1\%$ and $\pm 0.2\%$, respectively.

Symbol	Parameter	Conditions	Typical (Note 4)	LM4040AIM3 LM4040AIZ — Limits (Note 5)	LM4040BIM3 LM4040BIZ LM4040BIM7 Limits (Note 5)	Units
V_R	Reverse Breakdown Voltage	$I_R = 100 \mu\text{A}$	4.096			V
	Reverse Breakdown Voltage Tolerance (Note 6)	$I_R = 100 \mu\text{A}$		± 4.1	± 8.2	mV (max)
				± 31	± 35	mV (max)
I_{RMIN}	Minimum Operating Current		50			μA
				68	68	μA (max)
				73	73	μA (max)
$\Delta V_R/\Delta T$	Average Reverse Breakdown Voltage Temperature Coefficient (Note 6)	$I_R = 10 \text{ mA}$	± 30			ppm/ $^\circ\text{C}$
		$I_R = 1 \text{ mA}$	± 20	± 100	± 100	ppm/ $^\circ\text{C}$ (max)
		$I_R = 100 \mu\text{A}$	± 20			ppm/ $^\circ\text{C}$
$\Delta V_R/\Delta I_R$	Reverse Breakdown Voltage Change with Operating Current Change (Note 7)	$I_{RMIN} \leq I_R \leq 1 \text{ mA}$	0.5			mV
				0.9	0.9	mV (max)
				1.2	1.2	mV (max)
		$1 \text{ mA} \leq I_R \leq 15 \text{ mA}$	3.0			mV
				7.0	7.0	mV (max)
		10.0	10.0	mV (max)		
Z_R	Reverse Dynamic Impedance	$I_R = 1 \text{ mA}$, $f = 120 \text{ Hz}$, $I_{AC} = 0.1 I_R$	0.5			Ω
				1.0	1.0	Ω (max)
e_N	Wideband Noise	$I_R = 100 \mu\text{A}$ $10 \text{ Hz} \leq f \leq 10 \text{ kHz}$	80			μV_{rms}
ΔV_R	Reverse Breakdown Voltage Long Term Stability	$t = 1000 \text{ hrs}$ $T = 25^\circ\text{C} \pm 0.1^\circ\text{C}$ $I_R = 100 \mu\text{A}$	120			ppm
V_{HYST}	Thermal Hysteresis (Note 8)	$\Delta T = -40^\circ\text{C}$ to $+125^\circ\text{C}$	0.08			%

LM4040-4.1 Electrical Characteristics

V_R Tolerance Grades 'C' and 'D'; Temperature Grade 'I'

Boldface limits apply for $T_A = T_J = T_{MIN}$ to T_{MAX} ; all other limits $T_A = T_J = 25^\circ\text{C}$. The grades C and D designate initial Reverse Breakdown Voltage tolerances of $\pm 0.5\%$ and $\pm 1.0\%$, respectively.

Symbol	Parameter	Conditions	Typical (Note 4)	LM4040CIM3 LM4040CIZ LM4040CIM7 Limits (Note 5)	LM4040DIM3 LM4040DIZ LM4040DIM7 Limits (Note 5)	Units
V_R	Reverse Breakdown Voltage	$I_R = 100 \mu\text{A}$	4.096			V
	Reverse Breakdown Voltage Tolerance (Note 6)	$I_R = 100 \mu\text{A}$		± 20 ± 47	± 41 ± 81	mV (max) mV (max)
I_{RMIN}	Minimum Operating Current		50			μA
				68	73	μA (max)
				73	78	μA (max)
$\Delta V_R / \Delta T$	Average Reverse Breakdown Voltage Temperature Coefficient (Note 6)	$I_R = 10 \text{ mA}$	± 30			ppm/ $^\circ\text{C}$
		$I_R = 1 \text{ mA}$	± 20	± 100	± 150	ppm/ $^\circ\text{C}$ (max)
		$I_R = 100 \mu\text{A}$	± 20			ppm/ $^\circ\text{C}$
$\Delta V_R / \Delta I_R$	Reverse Breakdown Voltage Change with Operating Current Change (Note 7)	$I_{RMIN} \leq I_R \leq 1 \text{ mA}$	0.5			mV
			0.9	1.2	mV (max)	
			1.2	1.5	mV (max)	
		$1 \text{ mA} \leq I_R \leq 15 \text{ mA}$	3.0			mV
			7.0	9.0	mV (max)	
		10.0	13.0	mV (max)		
Z_R	Reverse Dynamic Impedance	$I_R = 1 \text{ mA}$, $f = 120 \text{ Hz}$, $I_{AC} = 0.1 I_R$	0.5			Ω
				1.0	1.3	Ω (max)
e_N	Wideband Noise	$I_R = 100 \mu\text{A}$ $10 \text{ Hz} \leq f \leq 10 \text{ kHz}$	80			μV_{rms}
ΔV_R	Reverse Breakdown Voltage Long Term Stability	$t = 1000 \text{ hrs}$ $T = 25^\circ\text{C} \pm 0.1^\circ\text{C}$ $I_R = 100 \mu\text{A}$	120			ppm
V_{HYST}	Thermal Hysteresis (Note 8)	$\Delta T = -40^\circ\text{C}$ to $+125^\circ\text{C}$	0.08			%

LM4040-5.0 Electrical Characteristics

V_R Tolerance Grades 'A' and 'B'; Temperature Grade 'I'

Boldface limits apply for $T_A = T_J = T_{MIN}$ to T_{MAX} ; all other limits $T_A = T_J = 25^\circ\text{C}$. The grades A and B designate initial Reverse Breakdown Voltage tolerances of $\pm 0.1\%$ and $\pm 0.2\%$, respectively.

Symbol	Parameter	Conditions	Typical (Note 4)	LM4040AIM3 LM4040AIZ — Limits (Note 5)	LM4040BIM3 LM4040BIZ LM4040BIM7 Limits (Note 5)	Units
V_R	Reverse Breakdown Voltage	$I_R = 100 \mu\text{A}$	5.000			V
	Reverse Breakdown Voltage Tolerance (Note 6)	$I_R = 100 \mu\text{A}$		± 5.0	± 10	mV (max)
				± 38	± 43	mV (max)
I_{RMIN}	Minimum Operating Current		54			μA
				74	74	μA (max)
				80	80	μA (max)
$\Delta V_R/\Delta T$	Average Reverse Breakdown Voltage Temperature Coefficient (Note 6)	$I_R = 10 \text{ mA}$	± 30			ppm/ $^\circ\text{C}$
		$I_R = 1 \text{ mA}$	± 20	± 100	± 100	ppm/ $^\circ\text{C}$ (max)
		$I_R = 100 \mu\text{A}$	± 20			ppm/ $^\circ\text{C}$
$\Delta V_R/\Delta I_R$	Reverse Breakdown Voltage Change with Operating Current Change (Note 7)	$I_{RMIN} \leq I_R \leq 1 \text{ mA}$	0.5			mV
				1.0	1.0	mV (max)
				1.4	1.4	mV (max)
		$1 \text{ mA} \leq I_R \leq 15 \text{ mA}$	3.5			mV
				8.0	8.0	mV (max)
		12.0	12.0	mV (max)		
Z_R	Reverse Dynamic Impedance	$I_R = 1 \text{ mA}$, $f = 120 \text{ Hz}$, $I_{AC} = 0.1 I_R$	0.5			Ω
				1.1	1.1	Ω (max)
e_N	Wideband Noise	$I_R = 100 \mu\text{A}$ $10 \text{ Hz} \leq f \leq 10 \text{ kHz}$	80			μV_{rms}
ΔV_R	Reverse Breakdown Voltage Long Term Stability	$t = 1000 \text{ hrs}$ $T = 25^\circ\text{C} \pm 0.1^\circ\text{C}$ $I_R = 100 \mu\text{A}$	120			ppm
V_{HYST}	Thermal Hysteresis (Note 8)	$\Delta T = -40^\circ\text{C}$ to $+125^\circ\text{C}$	0.08			%

LM4040-5.0 Electrical Characteristics

V_R Tolerance Grades 'C' and 'D'; Temperature Grade 'I'

Boldface limits apply for $T_A = T_J = T_{MIN}$ to T_{MAX} ; all other limits $T_A = T_J = 25^\circ\text{C}$. The grades C and D designate initial Reverse Breakdown Voltage tolerances of $\pm 0.5\%$ and $\pm 1.0\%$, respectively.

Symbol	Parameter	Conditions	Typical (Note 4)	LM4040CIM3 LM4040CIZ LM4040CIM7 Limits (Note 5)	LM4040DIM3 LM4040DIZ LM4040DIM7 Limits (Note 5)	Units
V_R	Reverse Breakdown Voltage	$I_R = 100 \mu\text{A}$	5.000			V
	Reverse Breakdown Voltage Tolerance (Note 6)	$I_R = 100 \mu\text{A}$		± 25 ± 58	± 50 ± 99	mV (max) mV (max)
I_{RMIN}	Minimum Operating Current		54			μA
				74	79	μA (max)
				80	85	μA (max)
$\Delta V_R/\Delta T$	Average Reverse Breakdown Voltage Temperature Coefficient (Note 6)	$I_R = 10 \text{ mA}$	± 30			ppm/ $^\circ\text{C}$
		$I_R = 1 \text{ mA}$	± 20	± 100	± 150	ppm/ $^\circ\text{C}$ (max)
		$I_R = 100 \mu\text{A}$	± 20			ppm/ $^\circ\text{C}$
$\Delta V_R/\Delta I_R$	Reverse Breakdown Voltage Change with Operating Current Change (Note 7)	$I_{RMIN} \leq I_R \leq 1 \text{ mA}$	0.5			mV
				1.0	1.3	mV (max)
				1.4	1.8	mV (max)
		$1 \text{ mA} \leq I_R \leq 15 \text{ mA}$	3.5			mV
				8.0	10.0	mV (max)
		12.0	15.0	mV (max)		
Z_R	Reverse Dynamic Impedance	$I_R = 1 \text{ mA}$, $f = 120 \text{ Hz}$, $I_{AC} = 0.1 I_R$	0.5			Ω
				1.1	1.5	Ω (max)
e_N	Wideband Noise	$I_R = 100 \mu\text{A}$ $10 \text{ Hz} \leq f \leq 10 \text{ kHz}$	80			μV_{rms}
ΔV_R	Reverse Breakdown Voltage Long Term Stability	$t = 1000 \text{ hrs}$ $T = 25^\circ\text{C} \pm 0.1^\circ\text{C}$ $I_R = 100 \mu\text{A}$	120			ppm
V_{HYST}	Thermal Hysteresis (Note 8)	$\Delta T = -40^\circ\text{C}$ to $+125^\circ\text{C}$	0.08			%

LM4040-5.0 Electrical Characteristics

V_R Tolerance Grades 'C' and 'D'; Temperature Grade 'E'

Boldface limits apply for $T_A = T_J = T_{MIN}$ to T_{MAX} ; all other limits $T_A = T_J = 25^\circ\text{C}$. The grades C and D designate initial Reverse Breakdown Voltage tolerances of $\pm 0.5\%$ and $\pm 1.0\%$, respectively.

Symbol	Parameter	Conditions	Typical	LM4040CEM3 Limits (Note 5)	LM4040DEM3 Limits (Note 5)	Units
V_R	Reverse Breakdown Voltage	$I_R = 100 \mu\text{A}$	5.000			V
	Reverse Breakdown Voltage Tolerance (Note 6)	$I_R = 100 \mu\text{A}$		± 25 ± 75	± 50 ± 125	mV (max) mV (max)
I_{RMIN}	Minimum Operating Current		54			μA
				74	79	μA (max)
				83	88	μA (max)
$\Delta V_R/\Delta T$	Average Reverse Breakdown Voltage Temperature Coefficient (Note 6)	$I_R = 10 \text{ mA}$	± 30			ppm/ $^\circ\text{C}$
		$I_R = 1 \text{ mA}$	± 20	± 100	± 150	ppm/ $^\circ\text{C}$ (max)
		$I_R = 100 \mu\text{A}$	± 20			ppm/ $^\circ\text{C}$
$\Delta V_R/\Delta I_R$	Reverse Breakdown Voltage Change with Operating Current Change (Note 7)	$I_{RMIN} \leq I_R \leq 1 \text{ mA}$	0.5			mV
				1.0	1.0	mV (max)
		$1 \text{ mA} \leq I_R \leq 15 \text{ mA}$		1.4	1.8	mV (max)
			3.5			mV
				8.0	8.0	mV (max)
		12.0	15.0	mV (max)		
Z_R	Reverse Dynamic Impedance	$I_R = 1 \text{ mA}$, $f = 120 \text{ Hz}$, $I_{AC} = 0.1 I_R$	0.5			Ω
				1.1	1.1	Ω (max)
e_N	Wideband Noise	$I_R = 100 \mu\text{A}$ $10 \text{ Hz} \leq f \leq 10 \text{ kHz}$	80			μV_{rms}
ΔV_R	Reverse Breakdown Voltage Long Term Stability	$t = 1000 \text{ hrs}$ $T = 25^\circ\text{C} \pm 0.1^\circ\text{C}$ $I_R = 100 \mu\text{A}$	120			ppm
V_{HYST}	Thermal Hysteresis (Note 8)	$\Delta T = -40^\circ\text{C}$ to $+125^\circ\text{C}$	0.08			%

LM4040-8.2 Electrical Characteristics

V_R Tolerance Grades 'A' and 'B'; Temperature Grade 'I'

Boldface limits apply for $T_A = T_J = T_{MIN}$ to T_{MAX} ; all other limits $T_A = T_J = 25^\circ\text{C}$. The grades A and B designate initial Reverse Breakdown Voltage tolerances of $\pm 0.1\%$ and $\pm 0.2\%$, respectively.

Symbol	Parameter	Conditions	Typical (Note 4)	LM4040AIM3 LM4040AIZ Limits (Note 5)	LM4040BIM3 LM4040BIZ Limits (Note 5)	Units
V_R	Reverse Breakdown Voltage	$I_R = 150 \mu\text{A}$	8.192			V
	Reverse Breakdown Voltage Tolerance (Note 6)	$I_R = 150 \mu\text{A}$		± 8.2 ± 61	± 16 ± 70	mV (max) mV (max)
I_{RMIN}	Minimum Operating Current		67			μA
				91	91	μA (max)
				95	95	μA (max)
$\Delta V_R/\Delta T$	Average Reverse Breakdown Voltage Temperature Coefficient (Note 6)	$I_R = 10 \text{ mA}$	± 40			ppm/ $^\circ\text{C}$
		$I_R = 1 \text{ mA}$	± 20	± 100	± 100	ppm/ $^\circ\text{C}$ (max)
		$I_R = 150 \mu\text{A}$	± 20			ppm/ $^\circ\text{C}$
$\Delta V_R/\Delta I_R$	Reverse Breakdown Voltage Change with Operating Current Change (Note 7)	$I_{RMIN} \leq I_R \leq 1 \text{ mA}$	0.6			mV
				1.3	1.3	mV (max)
				2.5	2.5	mV (max)
		$1 \text{ mA} \leq I_R \leq 15 \text{ mA}$	7.0			mV
				10.0	10.0	mV (max)
				18.0	18.0	mV (max)
Z_R	Reverse Dynamic Impedance	$I_R = 1 \text{ mA}$, $f = 120 \text{ Hz}$, $I_{AC} = 0.1 I_R$	0.6			Ω
				1.5	1.5	Ω (max)
e_N	Wideband Noise	$I_R = 150 \mu\text{A}$ $10 \text{ Hz} \leq f \leq 10 \text{ kHz}$	130			μV_{rms}
ΔV_R	Reverse Breakdown Voltage Long Term Stability	$t = 1000 \text{ hrs}$ $T = 25^\circ\text{C} \pm 0.1^\circ\text{C}$ $I_R = 150 \mu\text{A}$	120			ppm
V_{HYST}	Thermal Hysteresis (Note 8)	$\Delta T = -40^\circ\text{C}$ to $+125^\circ\text{C}$	0.08			%

LM4040-8.2 Electrical Characteristics

V_R Tolerance Grades 'C' and 'D'; Temperature Grade 'I'

Boldface limits apply for $T_A = T_J = T_{MIN}$ to T_{MAX} ; all other limits $T_A = T_J = 25^\circ\text{C}$. The grades C and D designate initial Reverse Breakdown Voltage tolerances of $\pm 0.5\%$ and $\pm 1.0\%$, respectively.

Symbol	Parameter	Conditions	Typical (Note 4)	LM4040CIM3 LM4040CIZ Limits (Note 5)	LM4040DIM3 LM4040DIZ Limits (Note 5)	Units
V_R	Reverse Breakdown Voltage	$I_R = 150 \mu\text{A}$	8.192			V
	Reverse Breakdown Voltage Tolerance (Note 6)	$I_R = 150 \mu\text{A}$		± 41 ± 94	± 82 ± 162	mV (max) mV (max)
I_{RMIN}	Minimum Operating Current		67			μA
				91	96	μA (max)
				95	100	μA (max)
$\Delta V_R/\Delta T$	Average Reverse Breakdown Voltage Temperature Coefficient (Note 6)	$I_R = 10 \text{ mA}$	± 40			ppm/ $^\circ\text{C}$
		$I_R = 1 \text{ mA}$	± 20	± 100	± 150	ppm/ $^\circ\text{C}$ (max)
		$I_R = 150 \mu\text{A}$	± 20			ppm/ $^\circ\text{C}$
$\Delta V_R/\Delta I_R$	Reverse Breakdown Voltage Change with Operating Current Change (Note 7)	$I_{RMIN} \leq I_R \leq 1 \text{ mA}$	0.6			mV
				1.3	1.7	mV (max)
		$1 \text{ mA} \leq I_R \leq 15 \text{ mA}$		2.5	3.0	mV (max)
			7.0			mV
				10.0	15.0	mV (max)
		18.0	24.0	mV (max)		
Z_R	Reverse Dynamic Impedance	$I_R = 1 \text{ mA}$, $f = 120 \text{ Hz}$, $I_{AC} = 0.1 I_R$	0.6			Ω
				1.5	1.9	Ω (max)
e_N	Wideband Noise	$I_R = 150 \mu\text{A}$ $10 \text{ Hz} \leq f \leq 10 \text{ kHz}$	130			μV_{rms}
ΔV_R	Reverse Breakdown Voltage Long Term Stability	$t = 1000 \text{ hrs}$ $T = 25^\circ\text{C} \pm 0.1^\circ\text{C}$ $I_R = 150 \mu\text{A}$	120			ppm
V_{HYST}	Thermal Hysteresis (Note 8)	$\Delta T = -40^\circ\text{C}$ to $+125^\circ\text{C}$	0.08			%

LM4040-10.0 Electrical Characteristics

V_R Tolerance Grades 'A' and 'B'; Temperature Grade 'I'

Boldface limits apply for $T_A = T_J = T_{MIN}$ to T_{MAX} ; all other limits $T_A = T_J = 25^\circ\text{C}$. The grades A and B designate initial Reverse Breakdown Voltage tolerances of $\pm 0.1\%$ and $\pm 0.2\%$, respectively.

Symbol	Parameter	Conditions	Typical (<i>Note 4</i>)	LM4040AIM3 LM4040AIZ Limits (<i>Note 5</i>)	LM4040BIM3 LM4040BIZ Limits (<i>Note 5</i>)	Units	
V_R	Reverse Breakdown Voltage	$I_R = 150 \mu\text{A}$	10.00			V	
	Reverse Breakdown Voltage Tolerance (<i>Note 6</i>)	$I_R = 150 \mu\text{A}$		± 10 ± 75	± 20 ± 85	mV (max) mV (max)	
I_{RMIN}	Minimum Operating Current		75			μA	
				100	100	μA (max)	
				103	103	μA (max)	
$\Delta V_R/\Delta T$	Average Reverse Breakdown Voltage Temperature Coefficient (<i>Note 6</i>)	$I_R = 10 \text{ mA}$	± 40			ppm/ $^\circ\text{C}$	
		$I_R = 1 \text{ mA}$	± 20	± 100	± 100	ppm/ $^\circ\text{C}$ (max)	
		$I_R = 150 \mu\text{A}$	± 20			ppm/ $^\circ\text{C}$	
$\Delta V_R/\Delta I_R$	Reverse Breakdown Voltage Change with Operating Current Change (<i>Note 7</i>)	$I_{RMIN} \leq I_R \leq 1 \text{ mA}$	0.8			mV	
					1.5	1.5	mV (max)
		$1 \text{ mA} \leq I_R \leq 15 \text{ mA}$			3.5	3.5	mV (max)
				8.0			mV
					12.0	12.0	mV (max)
					23.0	23.0	mV (max)
Z_R	Reverse Dynamic Impedance	$I_R = 1 \text{ mA}$, $f = 120 \text{ Hz}$, $I_{AC} = 0.1 I_R$	0.7			Ω	
				1.7	1.7	Ω (max)	
e_N	Wideband Noise	$I_R = 150 \mu\text{A}$ $10 \text{ Hz} \leq f \leq 10 \text{ kHz}$	180			μV_{rms}	
ΔV_R	Reverse Breakdown Voltage Long Term Stability	$t = 1000 \text{ hrs}$ $T = 25^\circ\text{C} \pm 0.1^\circ\text{C}$ $I_R = 150 \mu\text{A}$	120			ppm	
V_{HYST}	Thermal Hysteresis (<i>Note 8</i>)	$\Delta T = -40^\circ\text{C}$ to $+125^\circ\text{C}$	0.08			%	

LM4040-10.0 Electrical Characteristics

V_R Tolerance Grades 'C' and 'D'; Temperature Grade 'I'

Boldface limits apply for $T_A = T_J = T_{MIN}$ to T_{MAX} ; all other limits $T_A = T_J = 25^\circ\text{C}$. The grades C and D designate initial Reverse Breakdown Voltage tolerances of $\pm 0.5\%$ and $\pm 1.0\%$, respectively.

Symbol	Parameter	Conditions	Typical (Note 4)	LM4040CIM3 LM4040CIZ Limits (Note 5)	LM4040DIM3 LM4040DIZ Limits (Note 5)	Units
V_R	Reverse Breakdown Voltage	$I_R = 150 \mu\text{A}$	10.00			V
	Reverse Breakdown Voltage Tolerance (Note 6)	$I_R = 150 \mu\text{A}$		± 50 ± 115	± 100 ± 198	mV (max) mV (max)
I_{RMIN}	Minimum Operating Current		75			μA
				100	110	μA (max)
				103	113	μA (max)
$\Delta V_R/\Delta T$	Average Reverse Breakdown Voltage Temperature Coefficient (Note 6)	$I_R = 10 \text{ mA}$	± 40			ppm/ $^\circ\text{C}$
		$I_R = 1 \text{ mA}$	± 20	± 100	± 150	ppm/ $^\circ\text{C}$ (max)
		$I_R = 150 \mu\text{A}$	± 20			ppm/ $^\circ\text{C}$
$\Delta V_R/\Delta I_R$	Reverse Breakdown Voltage Change with Operating Current Change (Note 7)	$I_{RMIN} \leq I_R \leq 1 \text{ mA}$	0.8			mV
				1.5	2.0	mV (max)
				3.5	4.0	mV (max)
		$1 \text{ mA} \leq I_R \leq 15 \text{ mA}$	8.0			mV
				12.0	18.0	mV (max)
				23.0	29.0	mV (max)
Z_R	Reverse Dynamic Impedance	$I_R = 1 \text{ mA}$, $f = 120 \text{ Hz}$, $I_{AC} = 0.1 I_R$	0.7			Ω
				1.7	2.3	Ω (max)
e_N	Wideband Noise	$I_R = 150 \mu\text{A}$ $10 \text{ Hz} \leq f \leq 10 \text{ kHz}$	180			μV_{rms}
ΔV_R	Reverse Breakdown Voltage Long Term Stability	$t = 1000 \text{ hrs}$ $T = 25^\circ\text{C} \pm 0.1^\circ\text{C}$ $I_R = 150 \mu\text{A}$	120			ppm
V_{HYST}	Thermal Hysteresis (Note 8)	$\Delta T = -40^\circ\text{C}$ to $+125^\circ\text{C}$	0.08			%

Electrical Characteristics(Notes)

Note 1: Absolute Maximum Ratings indicate limits beyond which damage to the device may occur. Operating Ratings indicate conditions for which the device is functional, but do not guarantee specific performance limits. For guaranteed specifications and test conditions, see the Electrical Characteristics. The guaranteed specifications apply only for the test conditions listed. Some performance characteristics may degrade when the device is not operated under the listed test conditions.

Note 2: The maximum power dissipation must be derated at elevated temperatures and is dictated by T_{Jmax} (maximum junction temperature), θ_{JA} (junction to ambient thermal resistance), and T_A (ambient temperature). The maximum allowable power dissipation at any temperature is $PD_{max} = (T_{Jmax} - T_A)/\theta_{JA}$ or the number given in the Absolute Maximum Ratings, whichever is lower. For the LM4040, $T_{Jmax} = 125^\circ\text{C}$, and the typical thermal resistance (θ_{JA}), when board mounted, is 326°C/W for the SOT-23 package, and 180°C/W with 0.4 lead length and 170°C/W with 0.125 lead length for the TO-92 package and 415°C/W for the SC70 Package.

Note 3: The human body model is a 100 pF capacitor discharged through a 1.5 k Ω resistor into each pin. The machine model is a 200 pF capacitor discharged directly into each pin.

Note 4: Typicals are at $T_J = 25^\circ\text{C}$ and represent most likely parametric norm.

Note 5: Limits are 100% production tested at 25°C . Limits over temperature are guaranteed through correlation using Statistical Quality Control (SQC) methods. The limits are used to calculate National's AOQL.

Note 6: The boldface (over-temperature) limit for Reverse Breakdown Voltage Tolerance is defined as the room temperature Reverse Breakdown Voltage Tolerance $\pm[(\Delta V_R/\Delta T)(\max\Delta T)(V_R)]$. Where, $\Delta V_R/\Delta T$ is the V_R temperature coefficient, $\max\Delta T$ is the maximum difference in temperature from the reference point of 25°C to T_{MIN} or T_{MAX} , and V_R is the reverse breakdown voltage. The total over-temperature tolerance for the different grades in the industrial temperature range where $\max\Delta T = 65^\circ\text{C}$ is shown below:

A-grade: $\pm 0.75\% = \pm 0.1\% \pm 100 \text{ ppm}/^\circ\text{C} \times 65^\circ\text{C}$

B-grade: $\pm 0.85\% = \pm 0.2\% \pm 100 \text{ ppm}/^\circ\text{C} \times 65^\circ\text{C}$

C-grade: $\pm 1.15\% = \pm 0.5\% \pm 100 \text{ ppm}/^\circ\text{C} \times 65^\circ\text{C}$

D-grade: $\pm 1.98\% = \pm 1.0\% \pm 150 \text{ ppm}/^\circ\text{C} \times 65^\circ\text{C}$

E-grade: $\pm 2.98\% = \pm 2.0\% \pm 150 \text{ ppm}/^\circ\text{C} \times 65^\circ\text{C}$

The total over-temperature tolerance for the different grades in the extended temperature range where $\max \Delta T = 100^\circ\text{C}$ is shown below:

C-grade: $\pm 1.5\% = \pm 0.5\% \pm 100 \text{ ppm}/^\circ\text{C} \times 100^\circ\text{C}$

D-grade: $\pm 2.5\% = \pm 1.0\% \pm 150 \text{ ppm}/^\circ\text{C} \times 100^\circ\text{C}$

E-grade: $\pm 3.5\% = \pm 2.0\% \pm 150 \text{ ppm}/^\circ\text{C} \times 100^\circ\text{C}$

Therefore, as an example, the A-grade LM4040-2.5 has an over-temperature Reverse Breakdown Voltage tolerance of $\pm 2.5V \times 0.75\% = \pm 19 \text{ mV}$.

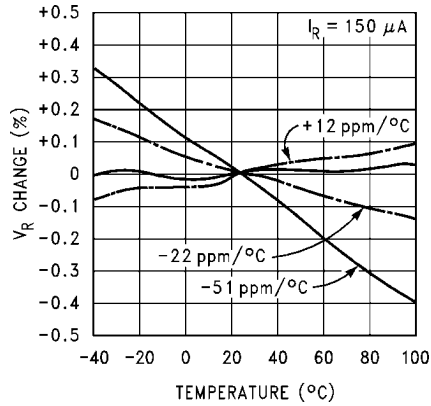
Note 7: Load regulation is measured on pulse basis from no load to the specified load current. Output changes due to die temperature change must be taken into account separately.

Note 8: Thermal hysteresis is defined as the difference in voltage measured at $+25^\circ\text{C}$ after cycling to temperature -40°C and the 25°C measurement after cycling to temperature $+125^\circ\text{C}$.

Note 9: Peak Reflow Temperatures for Surface Mount devices are defined in "Absolute Maximum Ratings for Soldering", Literature Number: SNOA549C

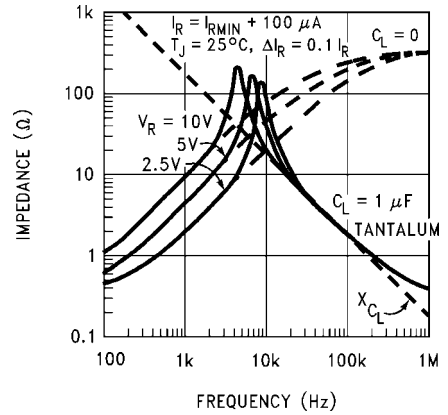
Typical Performance Characteristics

Temperature Drift for Different Average Temperature Coefficient



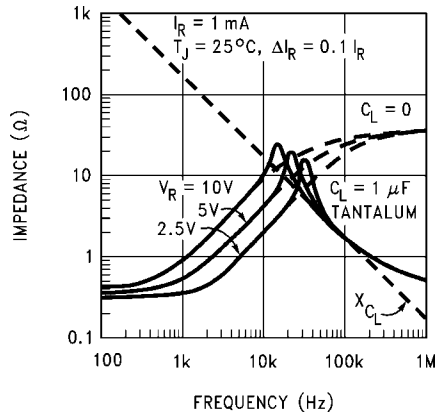
1132304

Output Impedance vs Frequency



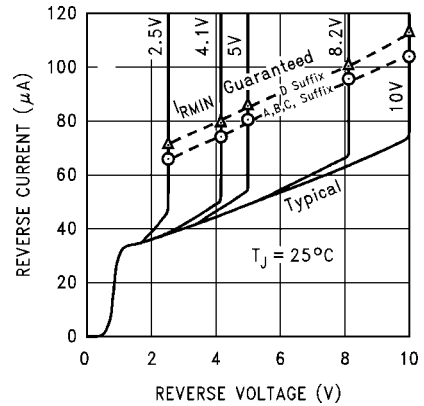
1132310

Output Impedance vs Frequency



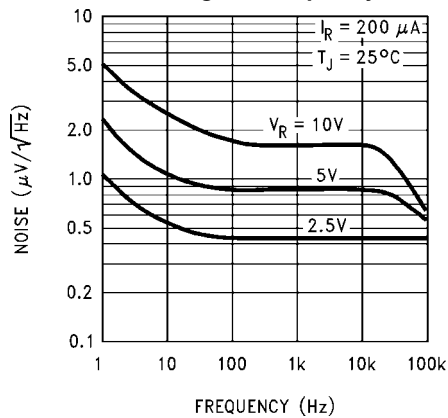
1132311

Reverse Characteristics and Minimum Operating Current



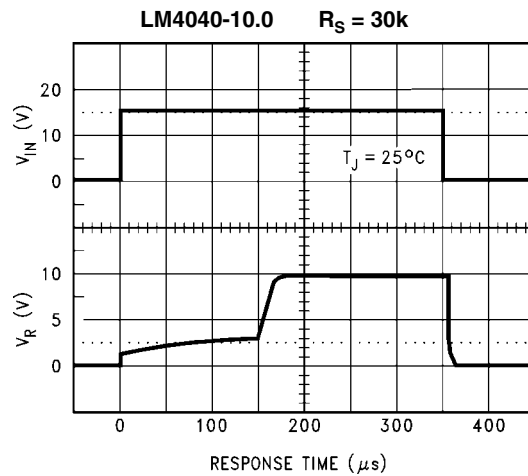
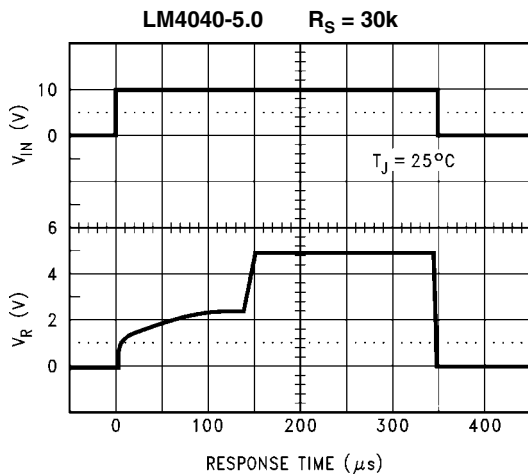
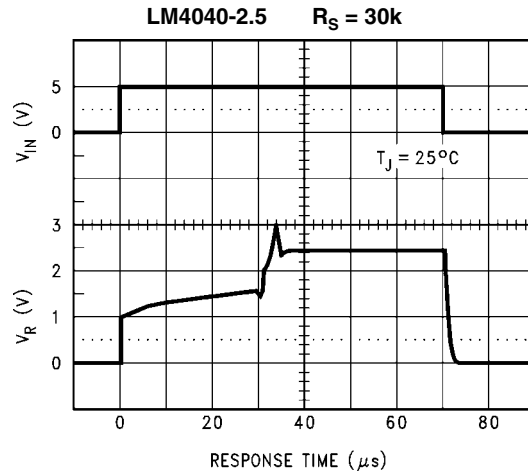
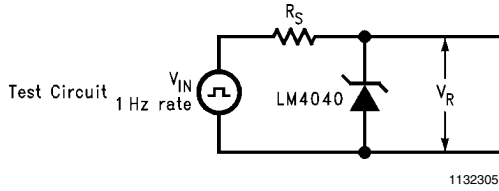
1132312

Noise Voltage vs Frequency

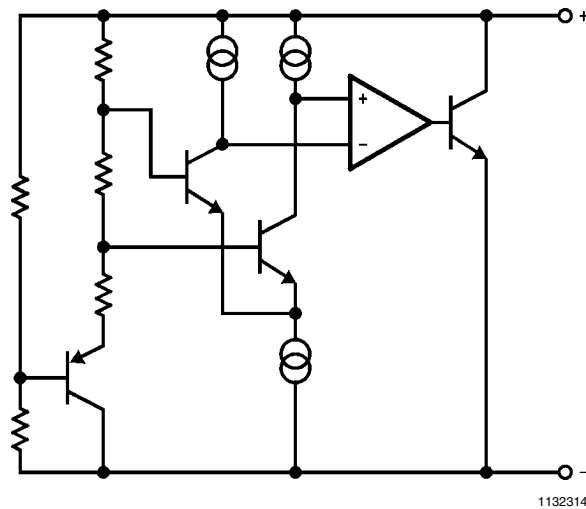


1132313

Start-Up Characteristics



Functional Block Diagram



Applications Information

The LM4040 is a precision micro-power curvature-corrected bandgap shunt voltage reference. For space critical applications, the LM4040 is available in the sub-miniature SOT-23 and SC70 surface-mount package. The LM4040 has been designed for stable operation without the need of an external capacitor connected between the “+” pin and the “-” pin. If, however, a bypass capacitor is used, the LM4040 remains stable. Reducing design effort is the availability of several fixed reverse breakdown voltages: 2.048V, 2.500V, 3.000V, 4.096V, 5.000V, 6.000, 8.192V, and 10.000V. The minimum operating current increases from 60 μ A for the LM4040-2.048 and LM4040-2.5 to 100 μ A for the LM4040-10.0. All versions have a maximum operating current of 15 mA.

LM4040s in the SOT-23 packages have a parasitic Schottky diode between pin 2 (-) and pin 3 (Die attach interface contact). Therefore, pin 3 of the SOT-23 package must be left floating or connected to pin 2.

LM4040s in the SC70 have a parasitic Schottky diode between pin 1 (-) and pin 2 (Die attach interface contact). Therefore, pin 2 must be left floating or connected to pin1.

The 4.096V version allows single +5V 12-bit ADCs or DACs to operate with an LSB equal to 1 mV. For 12-bit ADCs or DACs that operate on supplies of 10V or greater, the 8.192V version gives 2 mV per LSB.

The typical thermal hysteresis specification is defined as the change in +25°C voltage measured after thermal cycling. The device is thermal cycled to temperature -40°C and then measured at 25°C. Next the device is thermal cycled to temperature +125°C and again measured at 25°C. The resulting V_{OUT} delta shift between the 25°C measurements is thermal hysteresis. Thermal hysteresis is common in precision references and is induced by thermal-mechanical package stress. Changes in environmental storage temperature, operating temperature and board mounting temperature are all factors that can contribute to thermal hysteresis.

In a conventional shunt regulator application ([Figure 1](#)), an external series resistor (R_S) is connected between the supply voltage and the LM4040. R_S determines the current that flows through the load (I_L) and the LM4040 (I_Q). Since load current and supply voltage may vary, R_S should be small enough to supply at least the minimum acceptable I_Q to the LM4040 even when the supply voltage is at its minimum and the load current is at its maximum value. When the supply voltage is at its maximum and I_L is at its minimum, R_S should be large enough so that the current flowing through the LM4040 is less than 15 mA.

R_S is determined by the supply voltage, (V_S), the load and operating current, (I_L and I_Q), and the LM4040's reverse breakdown voltage, V_R .

$$R_S = \frac{V_S - V_R}{I_L + I_Q}$$

Typical Applications

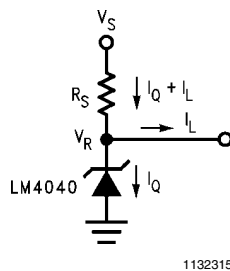
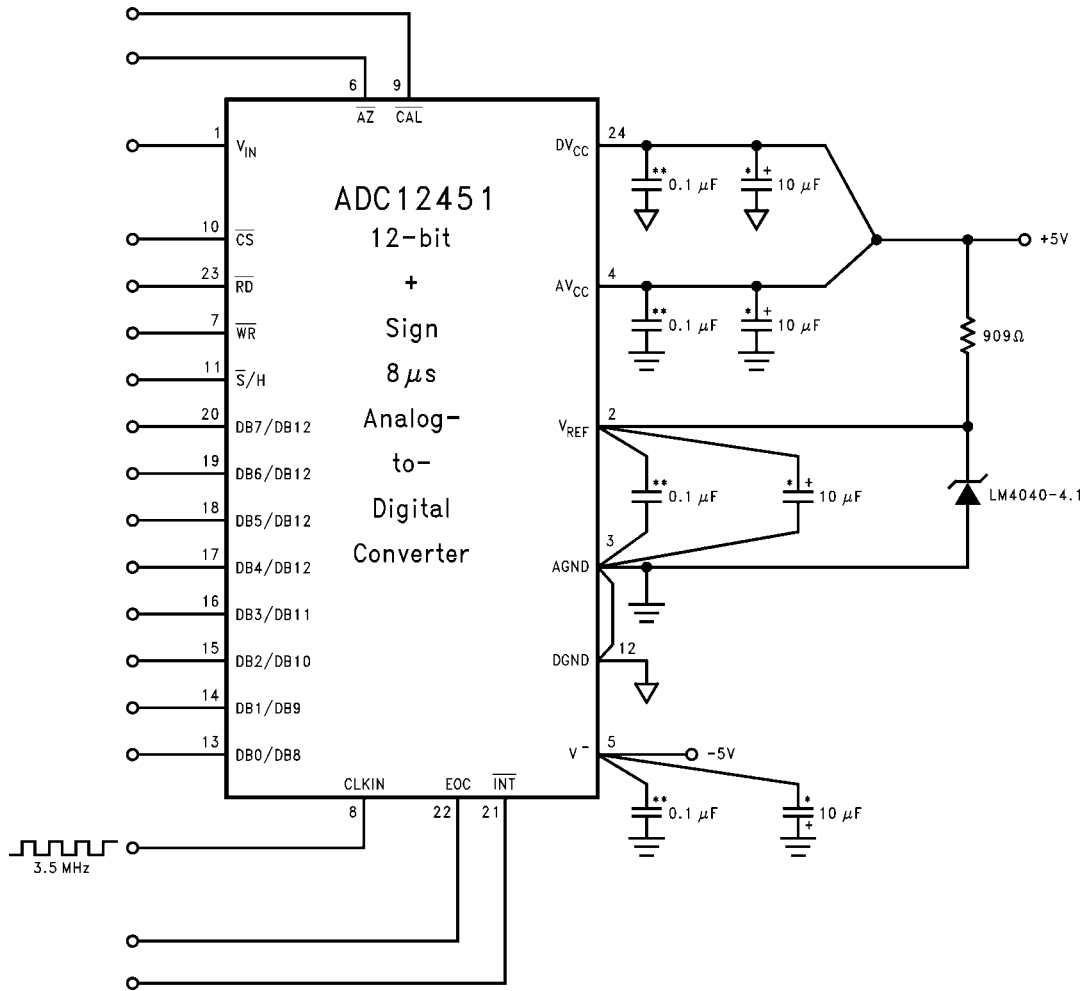


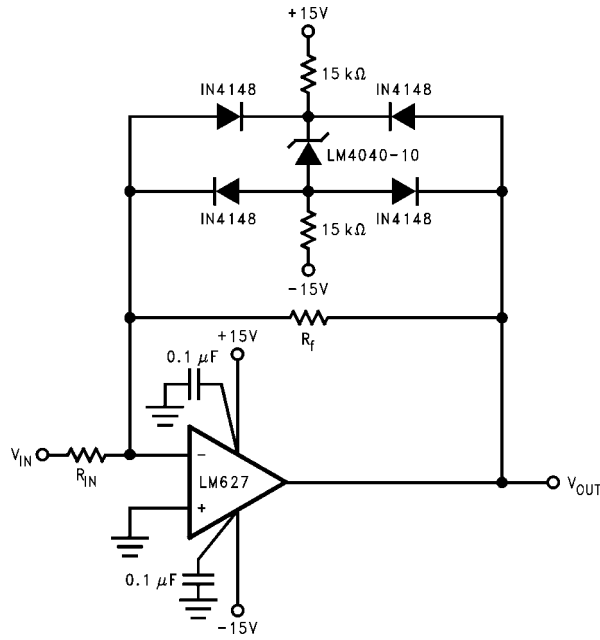
FIGURE 1. Shunt Regulator



1132316

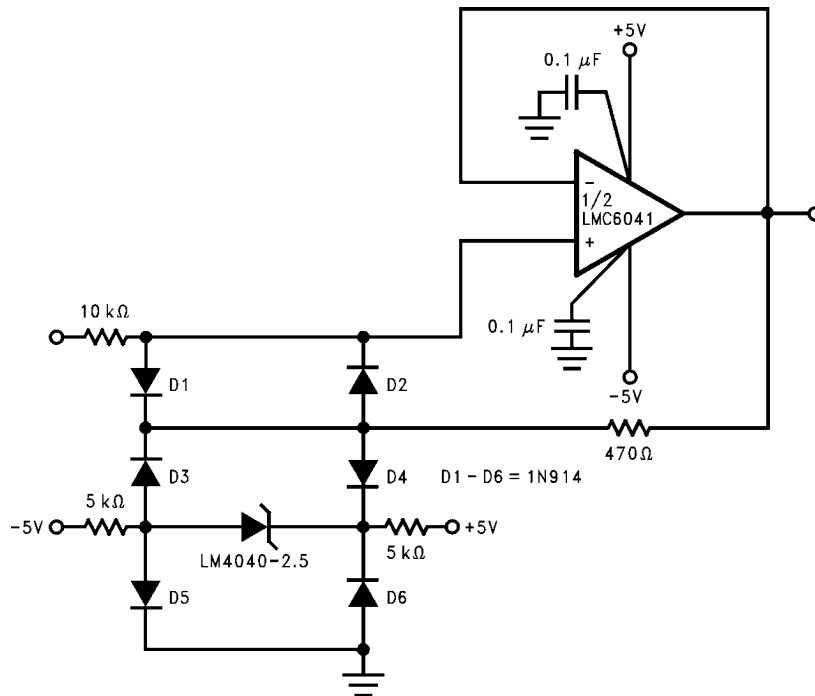
**Ceramic monolithic
*Tantalum

FIGURE 2. LM4040-4.1's Nominal 4.096 breakdown voltage gives ADC12451 1 mV/LSB



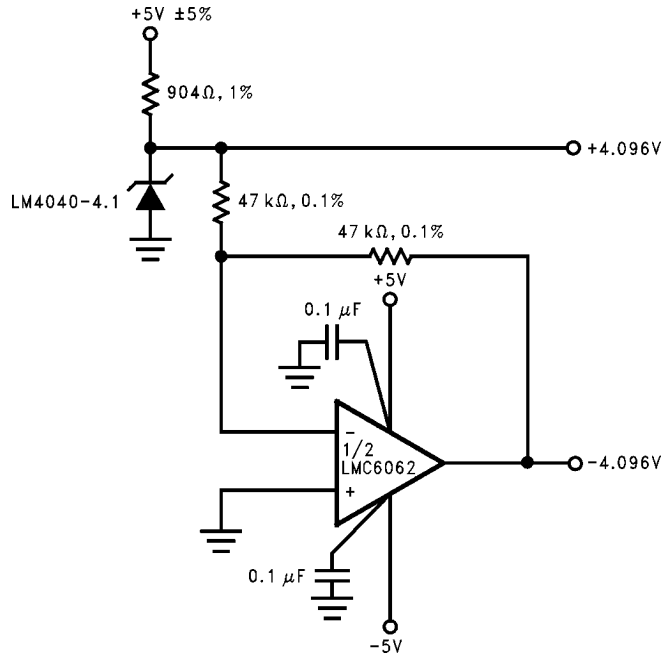
1132317

FIGURE 3. Bounded amplifier reduces saturation-induced delays and can prevent succeeding stage damage. Nominal clamping voltage is $\pm 11.5V$ (LM4040's reverse breakdown voltage + 2 diode V_F).



1132318

FIGURE 4. Protecting Op Amp input. The bounding voltage is $\pm 4V$ with the LM4040-2.5 (LM4040's reverse breakdown voltage + 3 diode V_F).



1132319

FIGURE 5. Precision ±4.096V Reference

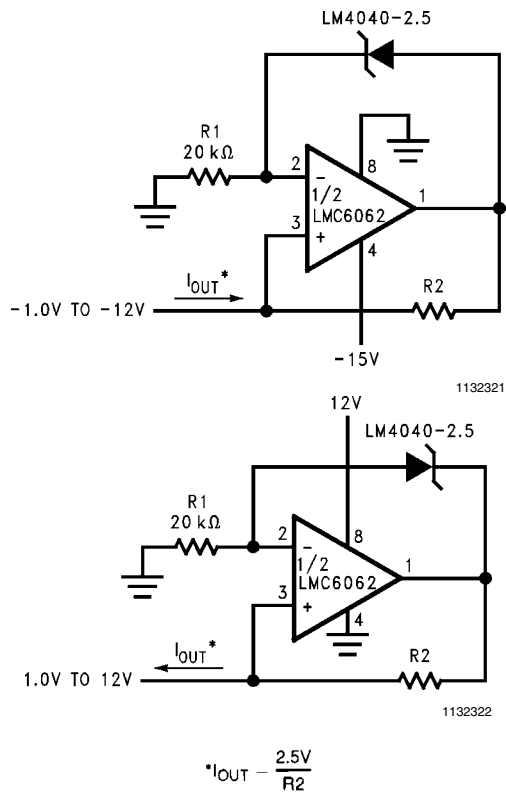
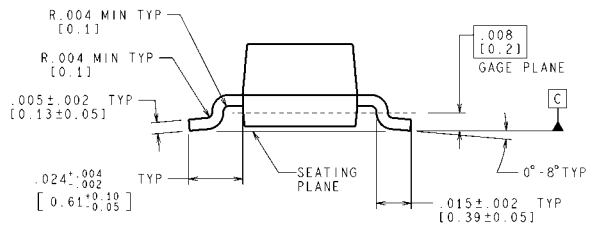
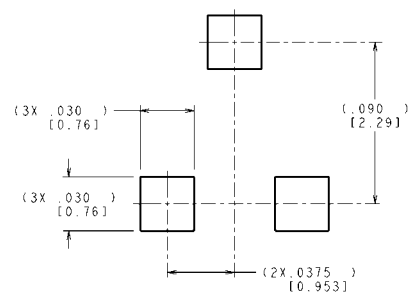
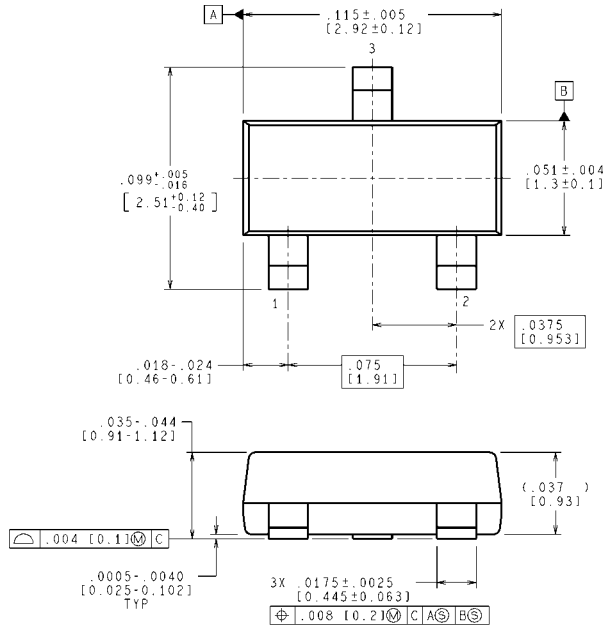


FIGURE 6. Precision 1 μA to 1 mA Current Sources

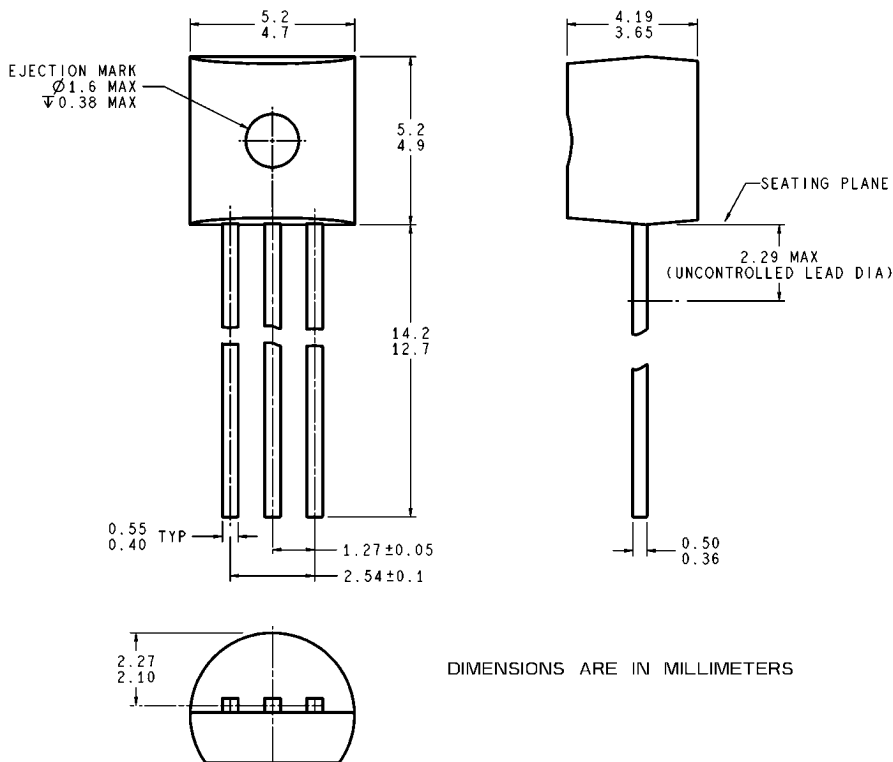
Physical Dimensions inches (millimeters) unless otherwise noted



CONTROLLING DIMENSION IS INCH
 VALUES IN [] ARE MILLIMETERS

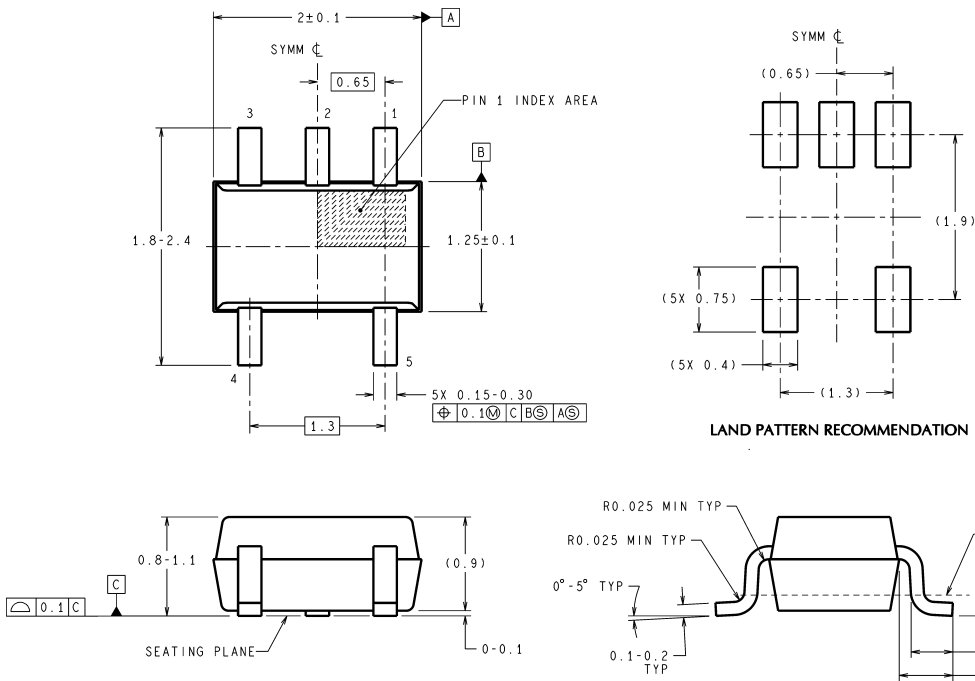
Plastic Surface Mount Package (M3)
NS Package Number MF03A
(JEDEC Registration TO-236AB)

MF03A (Rev B)



Z03A (Rev G)

**Plastic Package (Z)
NS Package Number Z03A**



MAA05A (Rev D)

**Molded Package (SC70)
NS Package Number MAA05A**

Notes