

### FEATURES:

- Effective for suppressing common mode noise at high frequency
- Excellent solderability
- Compact design

### APPLICATIONS:

- Common mode noise suppression of differential signal lines in high speed and high-density digital equipments such as USB 2.0, IEEE1394, LVDS, Digital Camera, Scanner, etc.
- Digital audio and video equipments such as PDA, DSC, DVC, CD Player, DVD Player, etc.

### ELECTRICAL SPECIFICATIONS:

**Operating Temperature:** -40°C to +85°C

**Storage Temperature:** -10°C to +40°C, 70% RH max

| Parameters                       | Minimum | Typical | Maximum | Units | Notes          |
|----------------------------------|---------|---------|---------|-------|----------------|
| Center Frequency                 | ----    | 480.0   | ----    | MHz   |                |
| Common Mode Attenuation          | 10      | ----    | ----    | dB    | @130MHz ~ 1GHz |
| Differential Mode Insertion Loss | ----    | ----    | 0.6     | dB    | @240MHz        |
| DC Resistance                    | ----    | ----    | 2.0     | Ω     |                |
| Rated Current                    | ----    | ----    | 200     | mA    |                |
| Characteristic Impedance         | 90      |         |         | Ω     |                |

Unless otherwise specified, the standard atmospheric conditions for measurement/test as:

- Ambient Temperature: 20±15°C
- Relative Humidity: 65%±20%
- Air Pressure: 86 KPa to 106 KPa

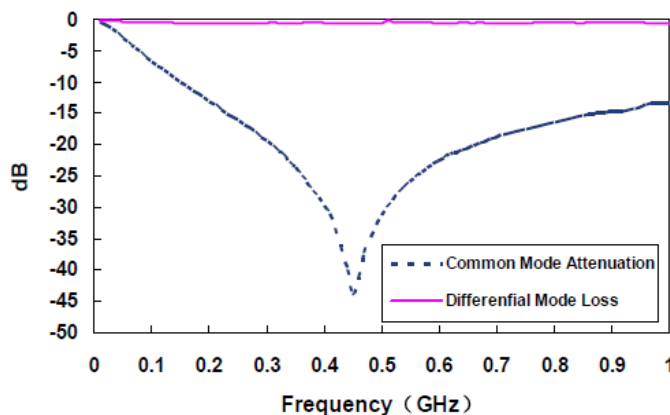
Visual Examination

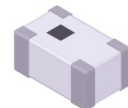
- Inspection Equipment: 20X magnifier

Electrical Test

- Impedance Analyzer: HP4991A.
- Network Analyzer: HP8719ES.

### ELECTRICAL PROPERTIES





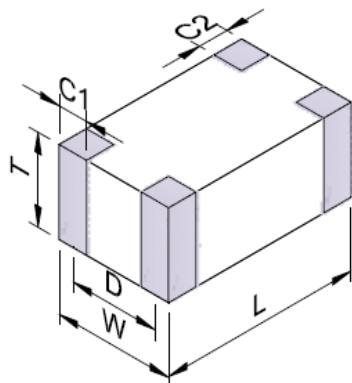
3.2 x 1.6 x 0.9mm

ACMF-31B



RoHS  
Compliant

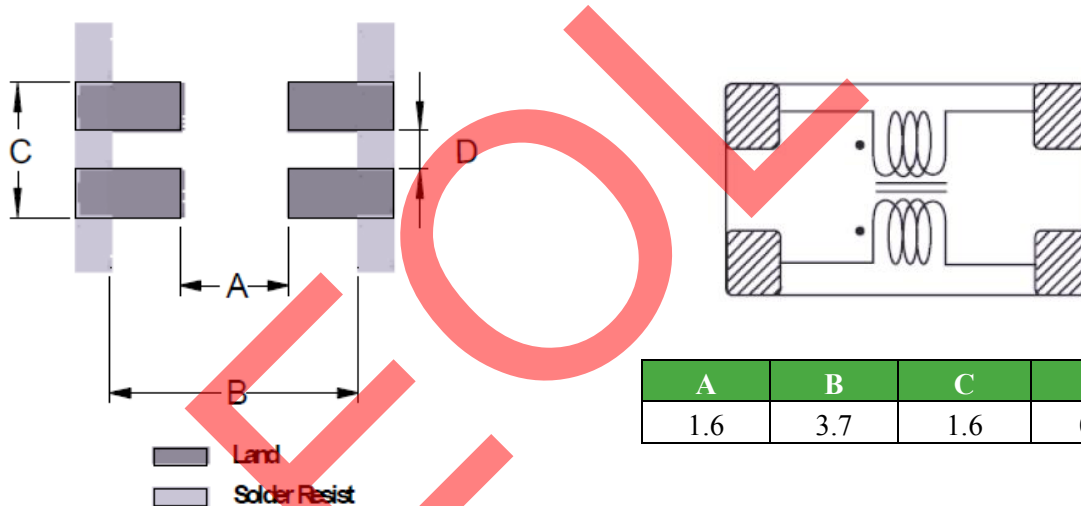
## OUTLINE DRAWING:



| L       | W       | T       | C1      | C2      | D       |
|---------|---------|---------|---------|---------|---------|
| 3.2±0.2 | 1.6±0.2 | 0.9±0.1 | 0.5±0.2 | 0.4±0.2 | 1.1±0.1 |

Recommended Land Pattern

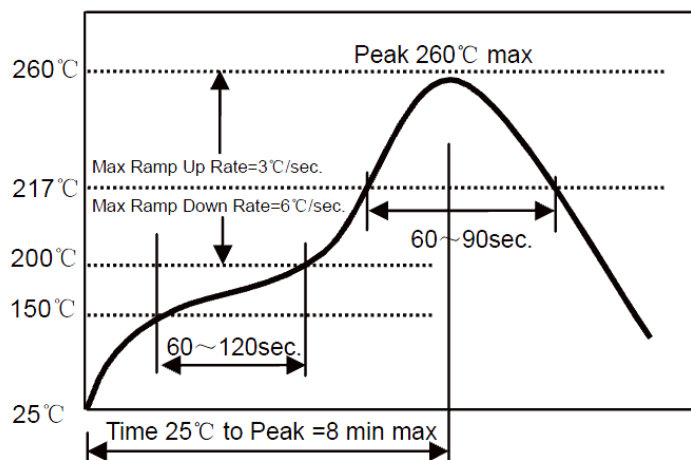
Schematic



| A   | B   | C   | D   |
|-----|-----|-----|-----|
| 1.6 | 3.7 | 1.6 | 0.4 |

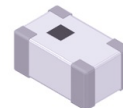
Dimension: mm

## REFLOW PROFILE:



- Preheat condition: 150 ~200°C/60~120sec.
- Allowed time above 217 °C: 60~90sec.
- Max temp: 260 °C
- Max time at max temp: 10sec.
- Solder paste: Sn/3.0Ag/0.5Cu
- Allowed Reflow time: 2x max





3.2 x 1.6 x 0.9mm

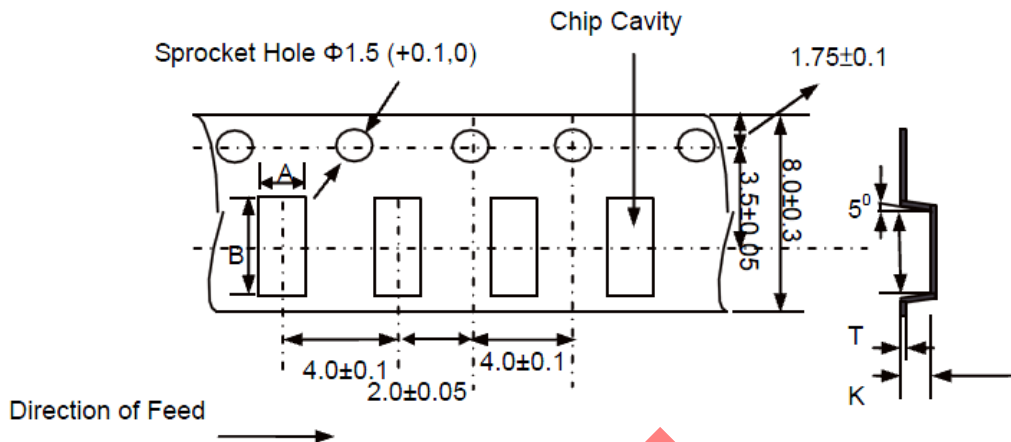
ACMF-31B



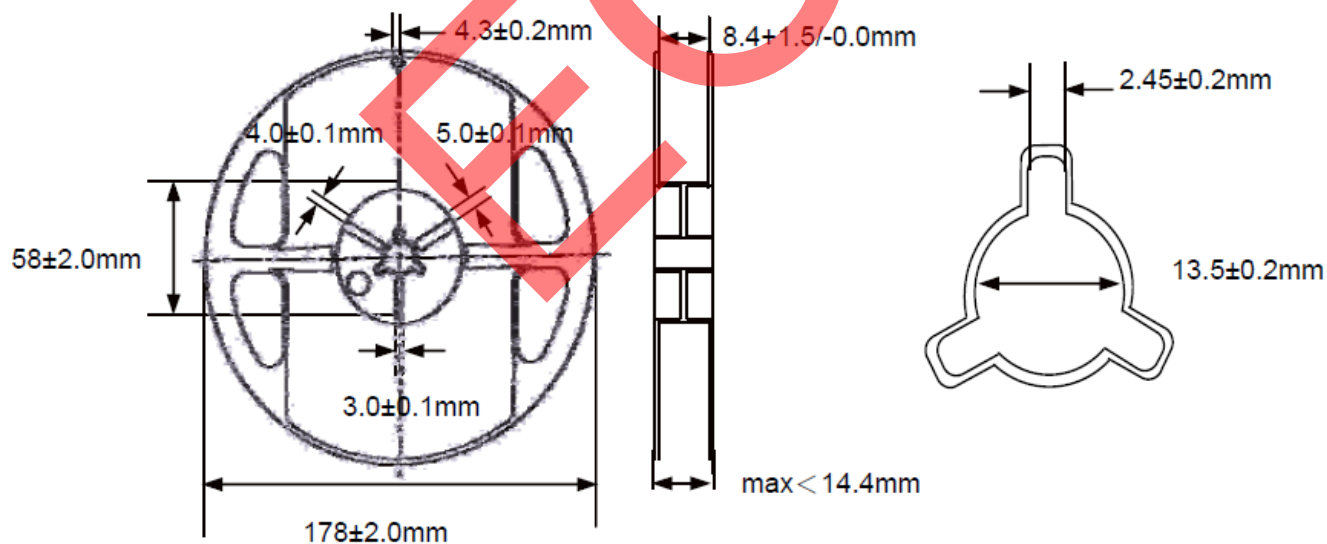
RoHS  
Compliant

## TAPE & REEL:

T= tape and reel (3,000pcs/reel)



| A               | B               | K max | T max |
|-----------------|-----------------|-------|-------|
| $1.85 \pm 0.10$ | $3.50 \pm 0.10$ | 1.14  | 0.27  |



Dimension: mm

**ATTENTION:** Abracon Corporation's products are COTS – Commercial-Off-The-Shelf products; suitable for Commercial, Industrial and, where designated, Automotive Applications. Abracon's products are not specifically designed for Military, Aviation, Aerospace, Life-dependant Medical applications or any application requiring high reliability where component failure could result in loss of life and/or property. For applications requiring high reliability and/or presenting an extreme operating environment, written consent and authorization from Abracon Corporation is required. Please contact Abracon Corporation for more information.

