

TC Series

Photo Triac

Features

- Compact DIP8 Pin Package
- High Isolation Voltage 5000VAC between input and output
- 600VDC peak blocking Voltage
- Be suitable for 110/220VAC power voltage
- Random-on & Zero-on types are available

Applications

- Power TRIAC driver
- Household appliance
- Solid State Relay



Order Code:

TC 2 09 R - 7
a b c d e

a : Model : TC=DIP 8 Pin Package Type
b : Output Voltage : 2 = 240VAC
c : Output Current : 09 = 0.9Amp ; 12 = 1.2Amp
d : Turn on Type : Nil = Zero-on ; R = Random - on
e : Option : Nil = DIP Type ; 7 = SMD Type

Absolute Maximum Rating:

Item	Symbol	Rating		Unit	
		TC209(R)	TC212(R)		
Input	Forward Current	I_F	50		mA
	Peak Forward Current	I_{FP}	1		A
	Reverse Voltage	V_R	6		V
Output	Off-state Output Voltage	V_{DRM}	600		VDC
	On-state Output Current	$I_{R(RMS)}$	0.9	1.2	A
	Non-repetitive Sudge Current	I_{RSM}	9	12	A
I/O Isolation Voltage		V_{iso}	5000		VAC
Operating Temperature		T_{opr}	-30~+85		°C
Storage Temperature		T_{stg}	-40~+125		°C

Electrical Characteristics:

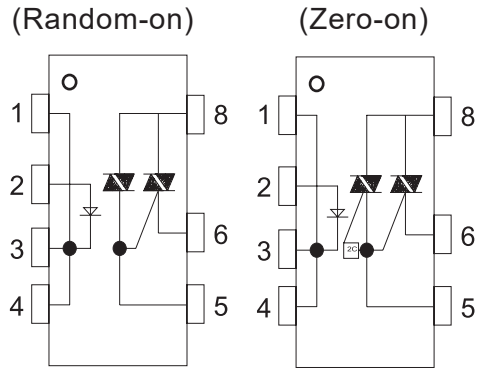
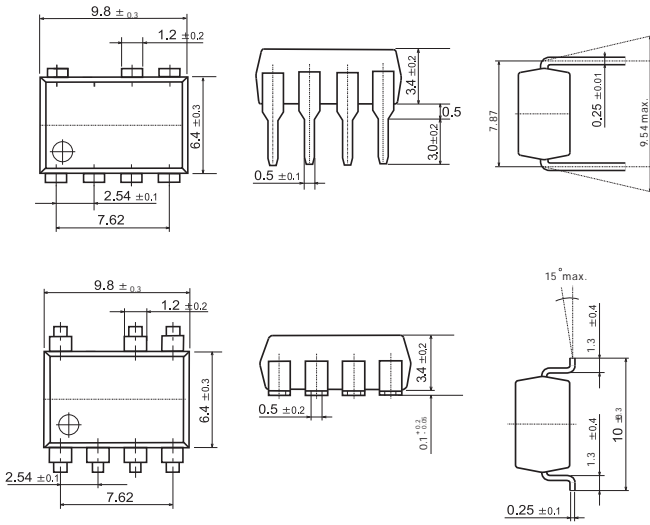
Item	Symbol	MIN.	Rating		MAX.	Unit	Conditions
			TC209(R)	TC212(R)			
Input	Forward Voltage	V_F	-	1.18	1.4	V	$I_F=10mA$
	Reverse Current	I_R	-	-	10	μA	$V_R=6V$
Output	Peak Leakage Current	I_{DRM}	-	-	100	μA	$V_{DRM}=600V$
	On-state Voltage	V_{TM}	-	1.3	1.1	V	$I_R=Rated I_R$
	Hold Current	I_H	-	-	25	mA	$V_D=6V$
	Rise rate of off-state	dv/dt	200	1000		-	$V/\mu S$
Minimum trigger current		I_{FT}	-	2	10	mA	$V_D=6V$
Recovery Input Voltage		$V_{F OFF}$	0.5	-	-	V	
I/O Isolation Resistance		R_{iso}	50G	-	-		DC=500V
Turn-on Time (Random-on)		T_{ON}	-	8	100	μS	$I_F=20mA$
Turn-on Time (Zero-on)		T_{ON}	-	-	10	mS	-
Turn-off Time		T_{OFF}	-	-	10	mS	-

為了持續的改進，敝司有權在不影響規格範圍的情況下修改設計。

Note: Recommended trigger current is between 10mA and 20mA

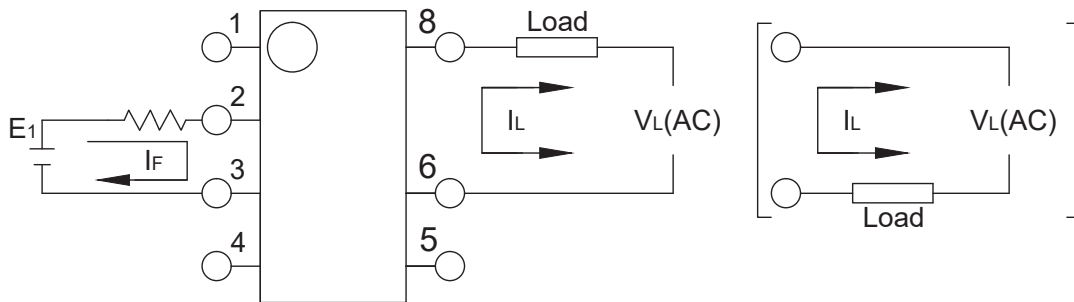
In the interest of continuous development, our companies reserve the right to alter designs within specification range.

Dimensions : (Unit : mm)

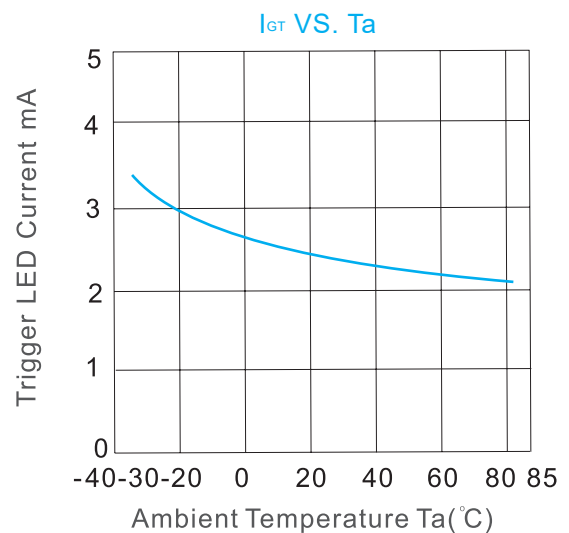
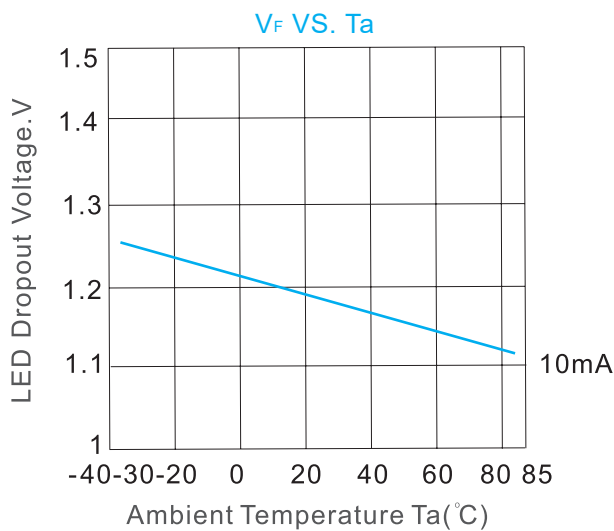


- 1. Cathode
- 2. Anode
- 3. Cathode
- 4. Cathode
- 5. Gate
- 6. T1
- 8. T2

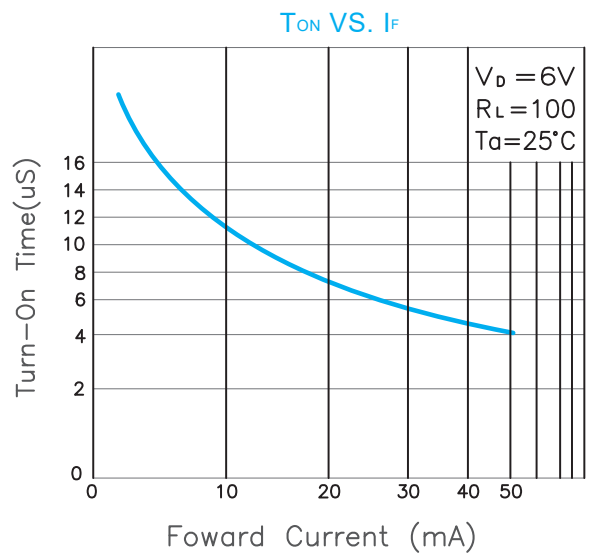
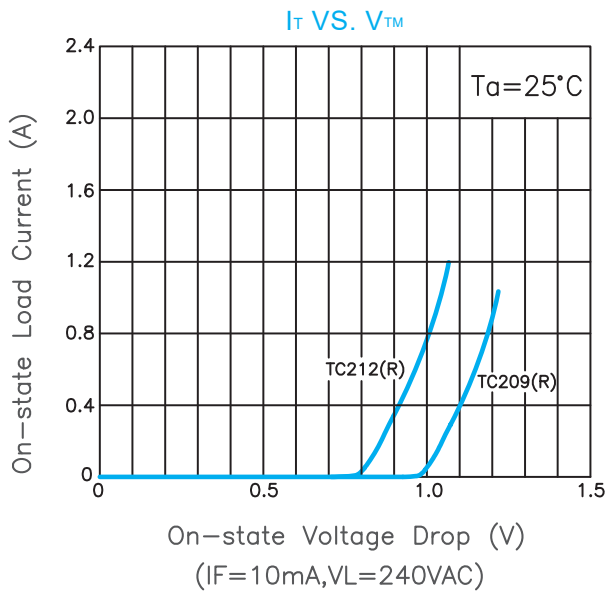
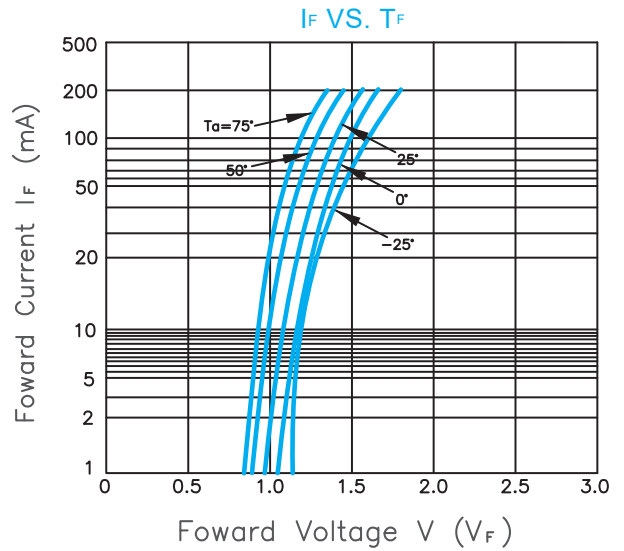
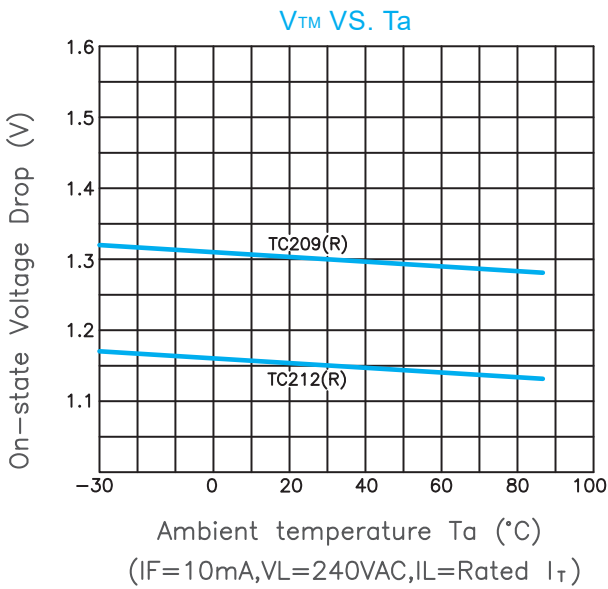
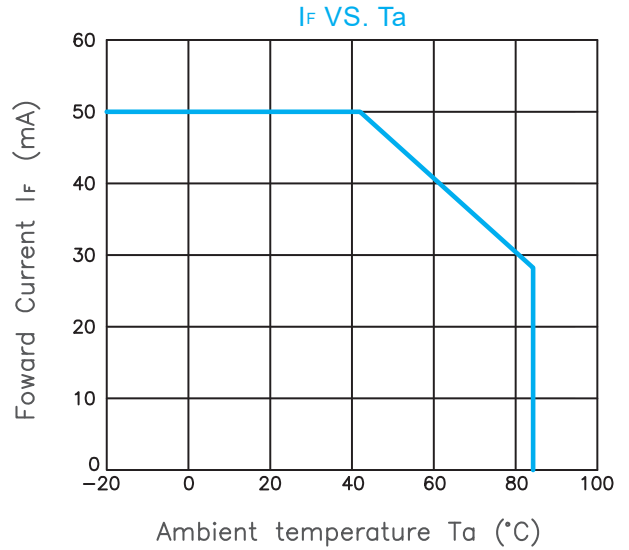
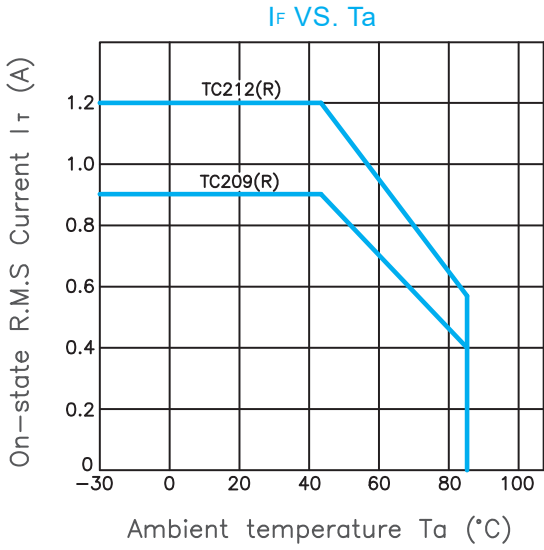
Wiring Diagram



REFERENCE DATA :



為了持續的改進，敝司有權在不影響規格範圍的情況下修改設計。
In the interest of continuous development, our companies reserve the right to alter designs within specification range.



為了持續的改進，敝司有權在不影響規格範圍的情況下修改設計。

In the interest of continuous development, our companies reserve the right to alter designs within specification range.