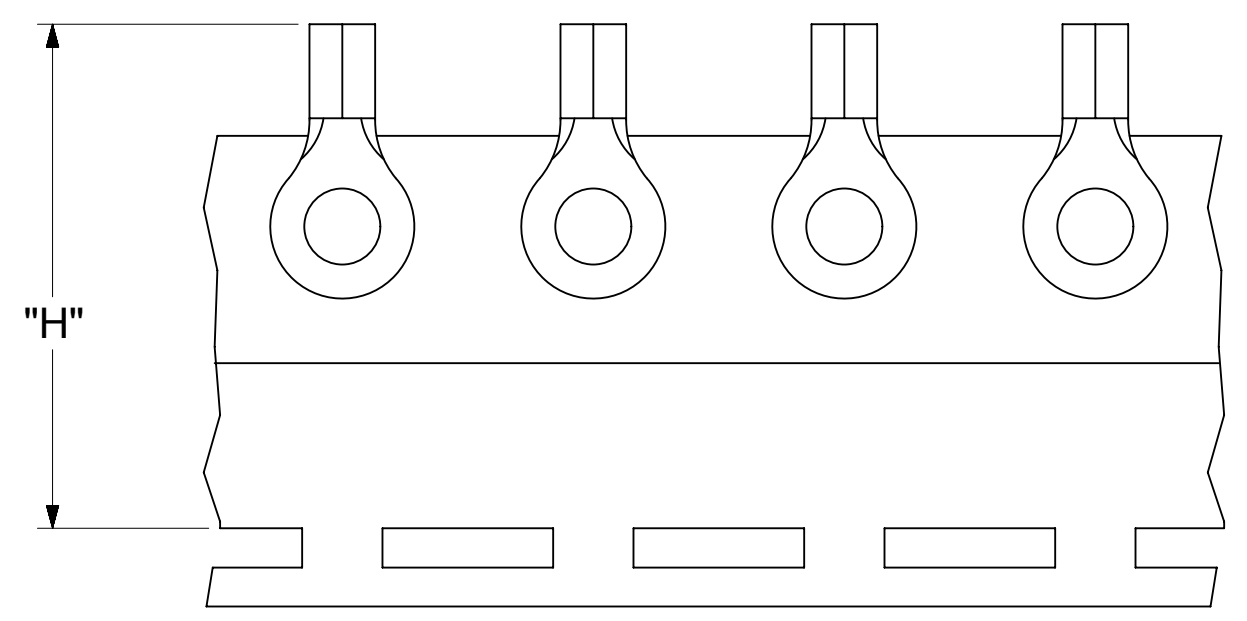
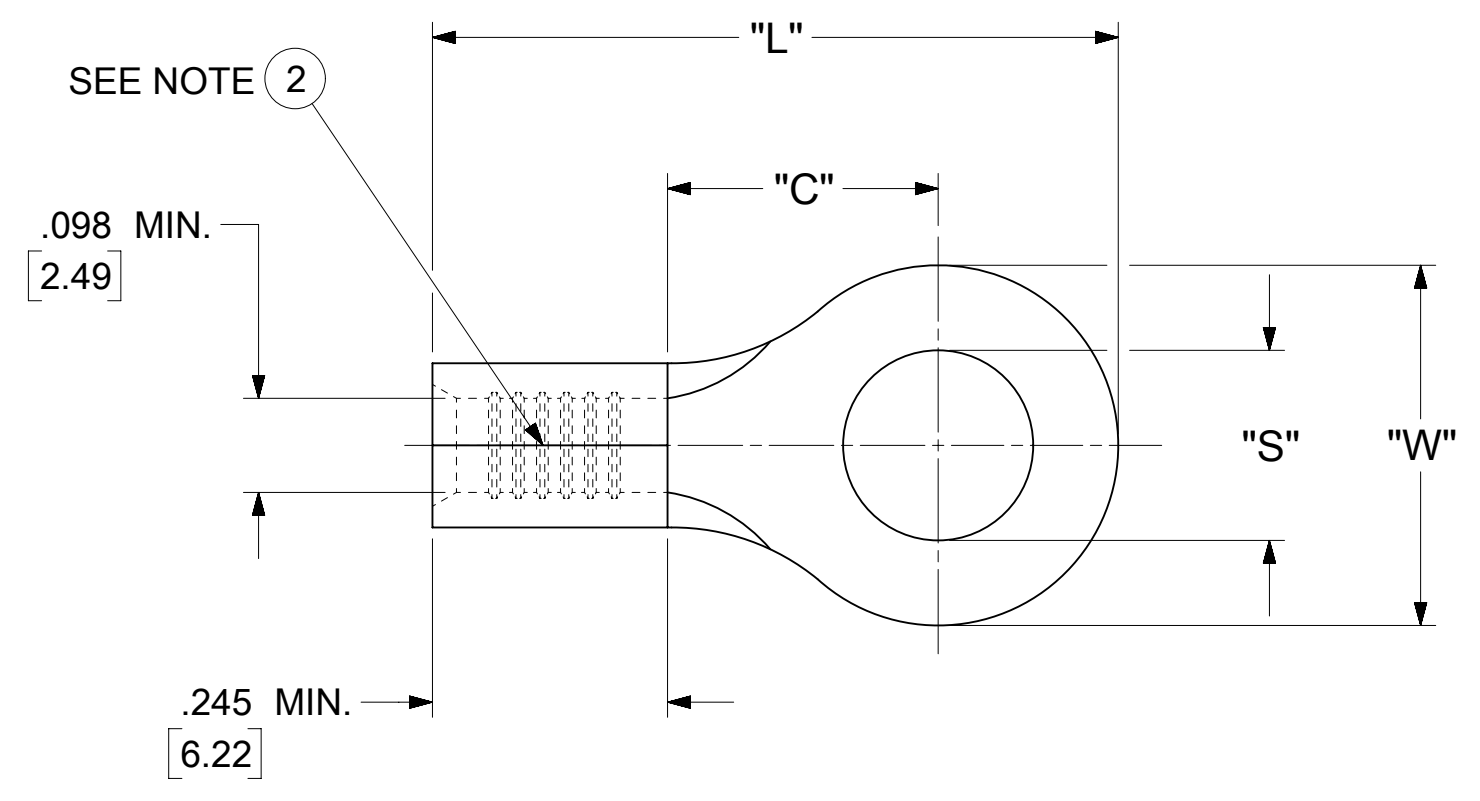


LOOSE PIECE		TAPE MOUNTED		SPECIFICATIONS					
MATERIAL NUMBER	ENGINEERING NUMBER	MATERIAL NUMBER	ENGINEERING NUMBER	STUD SIZE	"S" ±.005 [0.13]	"W" ±.010 [0.25]	"C" MIN.	"L" MAX.	"H"
190560079	B-328-06HD	---	---	6	.146 [3.71]	.375 [9.53]	.303 [7.70]	.785 [19.94]	---
190560081	B-328-08HD	---	---	8	.173 [4.39]				
190560083	B-328-10HD	---	---	10	.198 [5.03]				
190560085	B-330-10HD	---	---	10	.198 [5.03]	.530 [13.46]	.393 [9.98]	.952 [24.18]	---
190560087	B-330-14HD	---	---	14	.265 [6.73]				
190560089	B-330-56HD	---	---	56	.328 [8.33]				
190560125	B-340-38HD	190560126	B-340-38HDT	38	.390 [9.91]	.592 [15.04]	.466 [11.84]	1.056 [26.82]	1.426 [36.22]



- NOTES:
- MATERIAL: COPPER (STOCK THICKNESS .050±.001 [1.27])
PLATING: ELECTRO-TIN (.0003 MIN).
 - BRAZED SEAM.
 - WIRE SIZE: 16 - 14 AWG
1.0 - 2.5 MM²
 - "UL" LISTING #E32244
"CSA" LISTING #18689
 - ALL DIMENSIONS IN INCHES/[MM].
 - PARTS ARE ROHS COMPLIANT.
 - DIMS. SHOWN ARE FOR REFERENCE ONLY.

SYMBOLS	THIS DRAWING CONTAINS INFORMATION THAT IS PROPRIETARY TO MOLEX ELECTRONIC TECHNOLOGIES, LLC AND SHOULD NOT BE USED WITHOUT WRITTEN PERMISSION			
	DIMENSION UNITS	SCALE		CURRENT REV DESC:
▽ = 0	INCH/MM	NTS		EC NO: 625846 DRWN: ABENJAMINLW 2019/09/20 CHK'D: GROJAS01 2019/10/17 APPR: JMACNEIL 2019/10/18
▽ = 0	GENERAL TOLERANCES (UNLESS SPECIFIED)			
▽ = 0		MM	INCH	
▽ = 0	4 PLACES	± ---	± ---	INITIAL REVISION: DRWN: JJ 1984/11/28 APPR:
▽ = 0	3 PLACES	± ---	± 0.005	
▽ = 0	2 PLACES	± 0.13	± 0.01	THIRD ANGLE PROJECTION DRAWING SERIES
▽ = 0	1 PLACE	± 0.25	± ---	
☒ = 0	0 PLACES	± ---	± ---	C-SIZE 19056
■ = 0	ANGULAR TOL ± 0.5°			
▽ = 0	DRAFT WHERE APPLICABLE MUST REMAIN WITHIN DIMENSIONS			MATERIAL NUMBER SEE TABLE

DOCUMENT NUMBER			DOC TYPE	DOC PART	REVISION
BHDCD30101			PSD	001	A1
CUSTOMER		SHEET NUMBER			
GENERAL MARKET		1 OF 1			