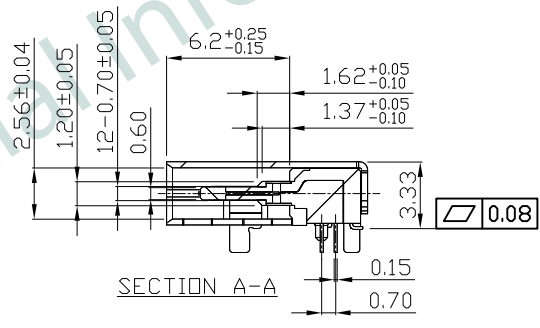
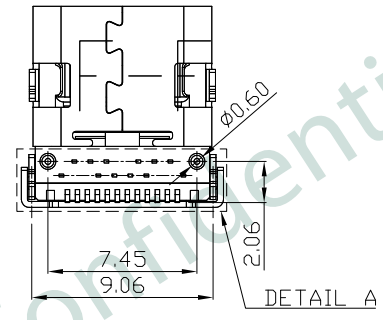
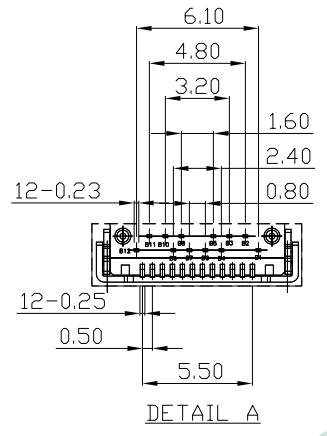
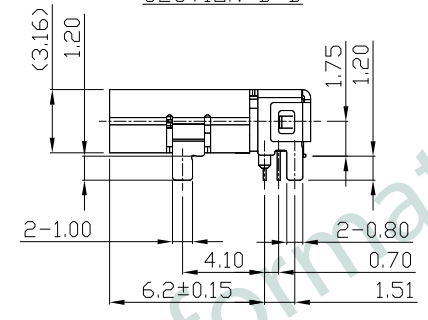
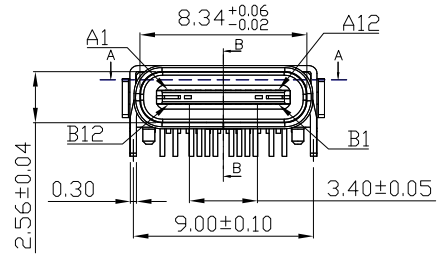
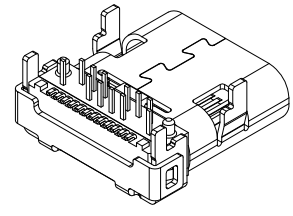
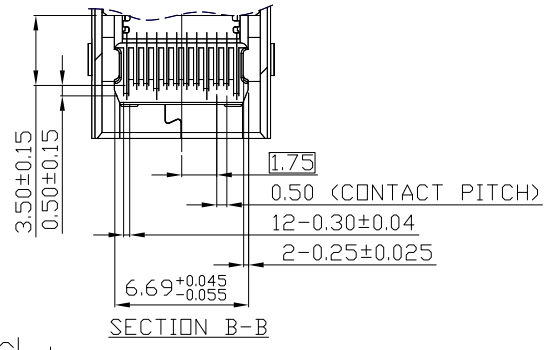
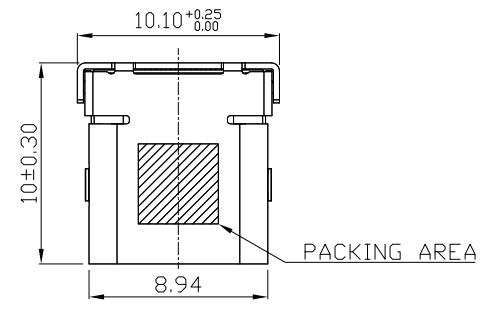
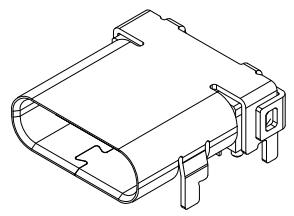


1. MECHANICAL DIMENSIONS :

REV.	DATE	DESCRIPTION
01	Apr. 29, '19	1st RELEASE

A
B
C
D
E
F

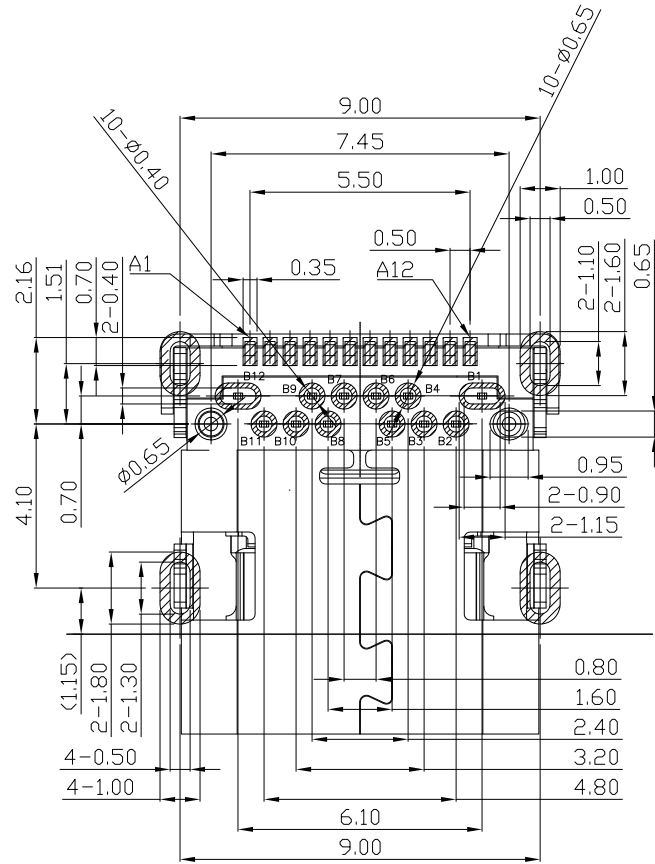


- SPECIFICATION
- MATERIAL: SEE DRAWING
 - MECHANICAL:
 - MATING FORCE: 5~20N.
 - UNMATING FORCE: INITIAL 8~20N.
 - AFTER 10000 CYCLES 6~20N
 - DURABILITY: 10000 CYCLES MIN.
 - ELECTRICAL:
 - WITHSTANDING VOLTAGE: 100 VAC/MINUTE
 - CONTACT RESISTANCE: INITIAL 40mΩ MAX.
 - AFTER 50mΩ MAX.
 - INSULATION RESISTANCE: 100MΩ MIN.
 - STANDARD DATA:
 - RATING CURRENT: 5.0A FOR VBUS
 - 1.25A FOR Vconn AND GND
 - 0.25A FOR ALL THE OTHER CONTACTS
 - SPECIFIED TOLERANCE: .XX ±0.20
.X ±0.30

ITEM	PARTS NAME	Q'TY	MATERIAL	FINISH/REMARK
1	INSERT MOLD HOUSING	1	LCP	BLACK
2	CONTACT	24	COPPER ALLOY	GOLD PLATING 30μ" MIN. ON CONTACT AREA, 100μ" MIN. TIN (LEAD FREE) ON SOLDER AREA
3	SHELL	1	STAINLESS	Ni: 50μ" MIN.
4	SHIELD	1	STAINLESS	-
5	LATCH	2	STAINLESS	-

PART NO		KUSB-CC43-112-XXX		
TITLE	USB TYPE 3.1 TYPE-C<F> SMT&DIP TOP MOUNT, 24PIN			
REV : 01				
UNIT	DRAWN	CHKD	DATE	SHEET
mm[inch]	CINDY	VINCENT	Apr. 29, '19	1 of 3

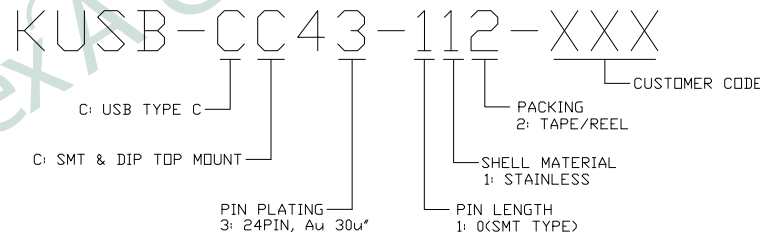
2. PCB LAYOUT :



RECOMMEND P.C.B LAYOUT (COMPONENT SIDE)
 TOLERANCE FOR PCB LAYOUT IS ±0.05
 KEEP OUT AREA
 SCALE 2:1

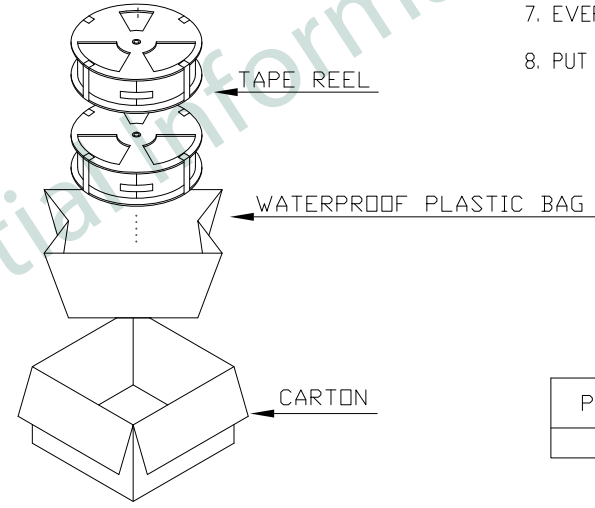
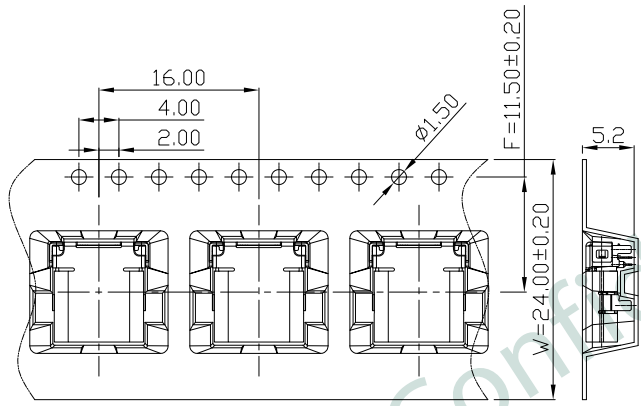
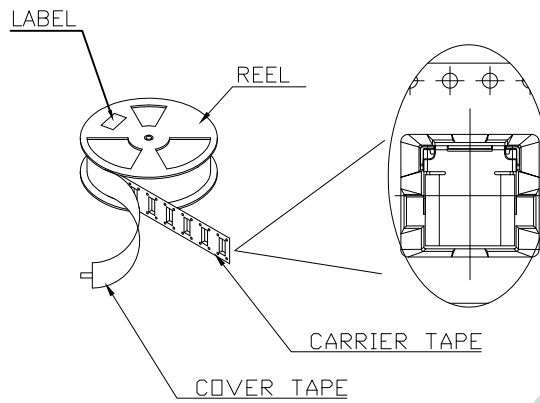
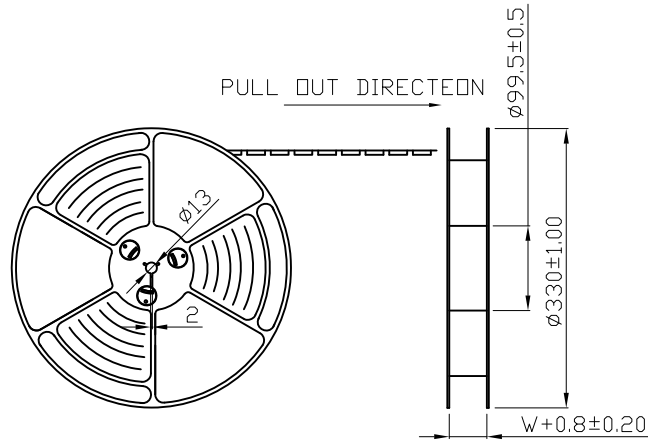
USB TYPE-C FULL-FEATURED RECEPTACLE
 INTERFACE PIN ASSIGNMENTS

PIN	SIGNAL NAME	DESCRIPTION	PIN	SIGNAL NAME	DESCRIPTION
A1	GND	GROUND RETURN	B12	GND	GROUND RETURN
A2	SSTXp1	POSITIVE HALF OF FIRST SUPERSPEED TX DIFFERENTIAL PAIR	B11	SSRXp1	POSITIVE HALF OF FIRST SUPERSPEED RX DIFFERENTIAL PAIR
A3	SSTXn1	NEGATIVE HALF OF FIRST SUPERSPEED TX DIFFERENTIAL PAIR	B10	SSRXn1	NEGATIVE HALF OF FIRST SUPERSPEED RX DIFFERENTIAL PAIR
A4	VBUS	BUS POWER	B9	VBUS	BUS POWER
A5	CC1	CONFIGURATION CHANNEL	B8	SBU2	SIDEBAND USE (SBU)
A6	Dp1	POSITIVE HALF OF THE USB 2.0 DIFFERENTIAL PAIR-POSITION 1	B7	Dn2	NEGATIVE HALF OF THE USB 2.0 DIFFERENTIAL PAIR-POSITION 2
A7	Dn1	NEGATIVE HALF OF THE USB 2.0 DIFFERENTIAL PAIR-POSITION 1	B6	Dp2	POSITIVE HALF OF THE USB 2.0 DIFFERENTIAL PAIR-POSITION 2
A8	SBU1	SIDEBAND USE (SBU)	B5	CC2	CONFIGURATION CHANNEL
A9	VBUS	BUS POWER	B4	VBUS	BUS POWER
A10	SSRXn2	NEGATIVE HALF OF SECOND SUPERSPEED RX DIFFERENTIAL PAIR	B3	SSTXn2	NEGATIVE HALF OF SECOND SUPERSPEED TX DIFFERENTIAL PAIR
A11	SSRXp2	POSITIVE HALF OF SECOND SUPERSPEED RX DIFFERENTIAL PAIR	B2	SSTXp2	POSITIVE HALF OF SECOND SUPERSPEED TX DIFFERENTIAL PAIR
A12	GND	GROUND RETURN	B1	GND	GROUND RETURN

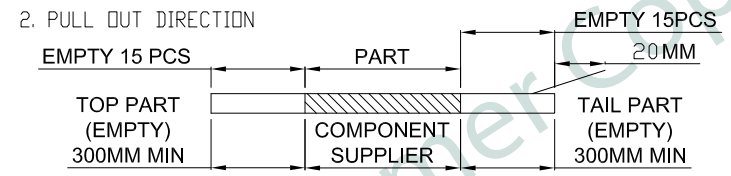


PART NO		KUSB-CC43-112-XXX		
TITLE	USB TYPE 3.1 TYPE-C(F) SMT&DIP TOP MOUNT, 24PIN			
REV : 01				
UNIT	DRAWN	CHKD	DATE	SHEET
mm[inch]	CINDY	VINCENT	Apr. 29, '19	2 of 3

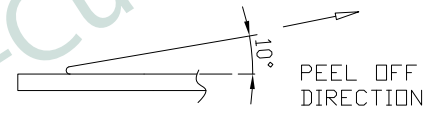
3. PACKING SPECIFICATION:



NOTE:
1. LEAD TAPE LENGTH



- 2. PULL OUT DIRECTION
- 3. PEELING OFF FORCE OF TOP TAPE: 0.1~1.3N (10.2gf~130gf)
- 4. THIS REQUIREMENT SHOULD BE APPLIED AT SHIPMENT :
PEELING OFF SHOULD NOT BE ALLOWED DURING TRANSPORTATION



- 5. PACKING Q'TY OF EACH REEL & CARTON AS BELOW TABLE SHOWN.
- 6. USE COVER TAPE TO COVER AND HOT MELT MACHINE TO SEAL UP.
- 7. EVERY CARTON USE 2PCS EPE.
- 8. PUT REELS IN THE CARTON AND USE ADHESIVE TAPE TO SEAL UP.

PCS/REEL	REEL/CARTON	CARTON/PCS
800/1	10/1	1/8000

PART NO KUSB-CC43-112-XXX				
TITLE	USB TYPE 3.1 TYPE-C<F> SMT&DIP TOP MOUNT, 24PIN			
REV : 01				
UNIT	DRAWN	CHKD	DATE	SHEET
mm[inch]	CINDY	VINCENT	Apr. 29, '19	3 of 3