

NOTES:

1. MATERIALS AND FINISHES:

BODY & BULLET CONTACT - BRASS, GOLD PLATING  
CONTACT - BeCu, GOLD PLATING  
SLEEVE, INNER FERRULE, LOCK WASHER & HEX NUT - BRASS, NICKEL PLATING  
INSULATOR & INSULATOR DISC - PTFE, NATURAL  
GASKET & O-RING - SILICONE RUBBER, RED

2. ELECTRICAL:

A. IMPEDANCE: 50 OHM  
B. FREQUENCY RANGE: DC - 12.4 GHz  
C. VSWR: 1.30 MAX. @ DC - 6 GHz  
D. DIELECTRIC WITHSTANDING VOLTAGE: 750 VRMS, MIN.

3. MECHANICAL:

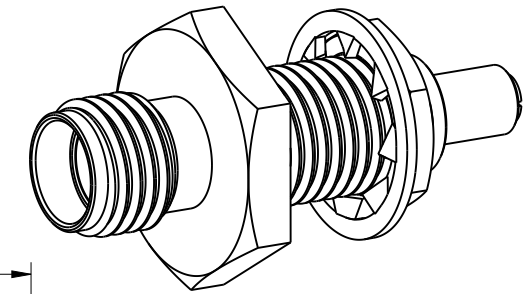
A. DURABILITY: 500 CYCLES MIN.  
B. TEMPERATURE RANGE: -65°C TO +165°C  
C. SEALING: MEETS IP-67 REQUIREMENTS IN UNMATED CONDITION

4. CABLE ASSEMBLY INSTRUCTIONS:

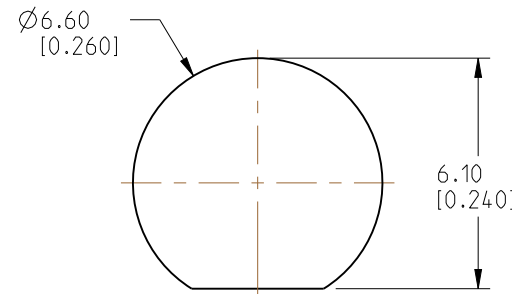
- A. TRIM CABLE AS SHOWN.
- B. INSERT CABLE THROUGH INNER FERRULE AND PEEL BRAID BACK, OVER INNER FERRULE
- C. INSTALL SLEEVE AND INSULATOR DISC OVER CABLE, BOTTOMING ON INNER FERRULE.
- D. SOLDER BULLET CONTACT TO CABLE CENTER CONDUCTOR, BOTTOMING ON INSULATOR DISC.
- E. INSERT CABLE INTO CONNECTOR UNTIL IT BOTTOMS.
- F. CRIMP BODY OVER INNER FERRULE USING .105" HEX.

5. CABLE ENTRY DIMENSIONS.

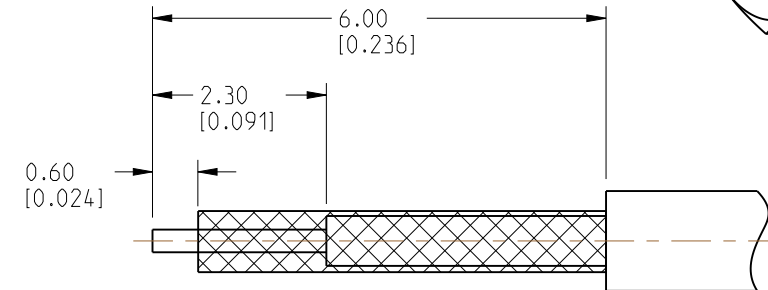
REVISIONS				
REV	DESCRIPTION	DATE	ECN	BY
A	RELEASE TO MFG./ SYNCH ARFA & DANBURY DRAWING	31-MAY-21	15720	N.M
B	REMOVE THE REQUIREMENT OF THE PACKAGING	23-JUN-21	15768	SH



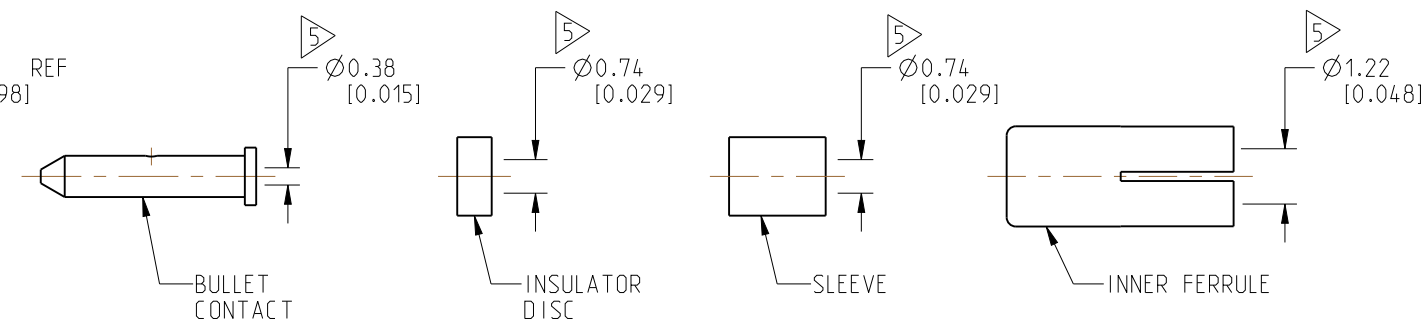
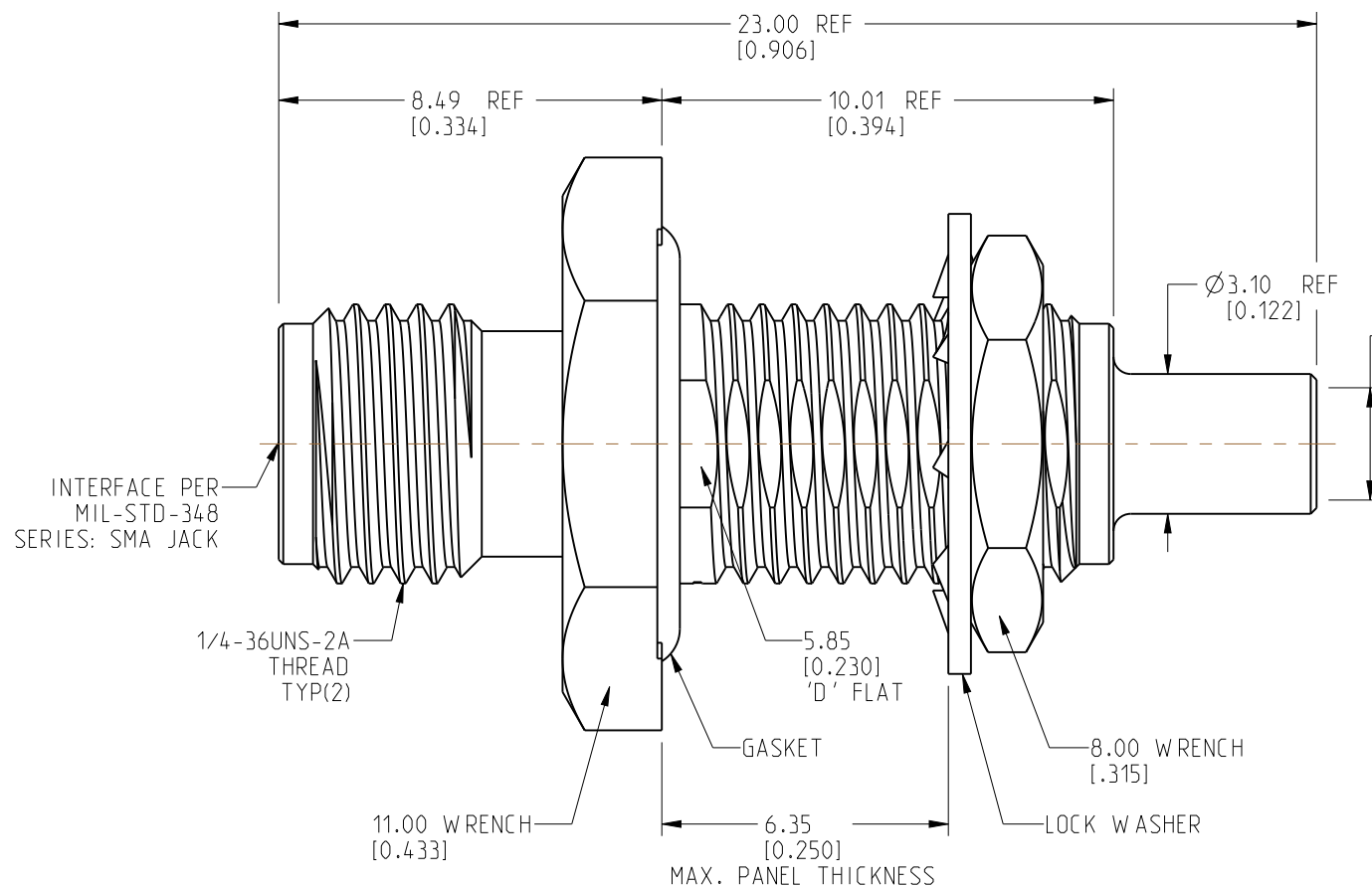
SCALE 3.000



RECOMMENDED MOUNTING HOLE DIMENSIONS



RECOMMENDED CABLE STRIPPING DIMENSIONS



CUSTOMER OUTLINE DRAWING

ALL OTHER SHEETS ARE FOR INTERNAL USE ONLY

NOTICE: These drawings, specifications, or other data (1) are, and remain the property of Amphenol corp. (2) must be returned upon request; and (3) are confidential and not to be disclosed to any person other than those to whom they are given by Amphenol Corp. The furnishing of these drawings, specifications, or other data by Amphenol Corp., or to any other person to anyone for any purpose is not to be regarded by implication or otherwise in any manner licensing, granting rights to permitting such holder or any other person to manufacture, use or sell any product, process or design, patented or otherwise, that may in any way be related to or disclosed by said drawings, specifications, or other data.

UNLESS OTHERWISE SPECIFIED DIMENSIONS ARE METRIC (INCHES) AND TOLERANCES ARE:  
<0.5mm = ±0.05mm [-0.020 = ±0.002]  
>0.5 - 6mm = ±0.1mm [-0.020 - 0.236 = ±0.004]  
>6.00 - 30mm = ±0.2mm [-0.236 - 1.181 = ±0.008]  
>30.00 - 120mm = ±0.3mm [-1.181 - 4.725 = ±0.012]

MATERIAL  
SEE NOTES

TITLE  
SMA STR BHD JACK  
FRONT MOUNT IP 67 FOR  
1.13 MM CABLE

Amphenol RF

SIZE	DRAWING NO. SMA6311G1-NX3GT30GS-C113-50	REV
	ITEM NO. 116311AAB63RG5F	
	PART NO. 132397	

THIRD ANGLE PROJ. REFERENCE EAR# 10687

ENGINEER M.ZHANG

DATE 16-JUN-21

SHEET NO. 2 OF 2 SCALE: 6.0:1.0