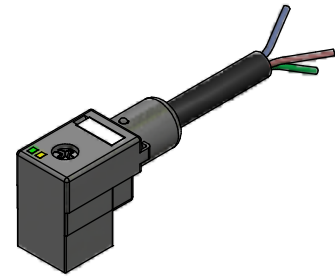


Technical specification :

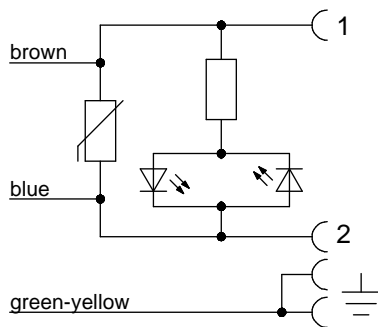
Rated voltage: 24 V AC / DC
 Current rating: 4 A at 40°C
 IEC 60512-5-2 5b
 Pollution degree: 3/2
 IEC 60664-1
 Degree of protection: IP 67, in mated condition
 IEC 60529
 Temperature range: -25°C ... +80°C
 IEC 60664-1
 Mating cycles: >50
 DIN EN 175301-803

Materials:

Contact: CuZn
 Contact plating: Nickel, stannous plated
 Contact carrier: PA GF, UL 94
 Moulding body: TPU, UL 94, transparent

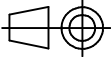



Contact assignment:



Part no:	Description:	Length L:	Cable:
55-00213	SAL - C8 - V2PEG - 0 - 124 - 2 / H2	2m	PUR/PVC, black, 3x0,5mm ² Cable: 781-H25300
55-00020	SAL - C8 - V2PEG - 0 - 124 - 3 / H2	3m	
55-00021	SAL - C8 - V2PEG - 0 - 124 - 5 / H2	5m	
55-00041	SAL - C8 - V2PEG - 0 - 124 - 10 / H2	10m	
55-00214	SAL - C8 - V2PEG - 0 - 124 - 2 / A2	2m	PVC, black, 3x0,5mm ² Cable: -
55-00215	SAL - C8 - V2PEG - 0 - 124 - 3 / A2	3m	
55-00216	SAL - C8 - V2PEG - 0 - 124 - 5 / A2	5m	
55-00217	SAL - C8 - V2PEG - 0 - 124 - 10 / A2	10m	
55-00226	SAL - C8 - V2PEG - 0 - 124 - 2 / K1 / 075	2m	TPU, UL 20549, black, 3x0,75mm ² Cable: 781-K17300
55-00227	SAL - C8 - V2PEG - 0 - 124 - 3 / K1 / 075	3m	
55-00228	SAL - C8 - V2PEG - 0 - 124 - 5 / K1 / 075	5m	
55-00229	SAL - C8 - V2PEG - 0 - 124 - 10 / K1 / 075	10m	
55-00230	SAL - C8 - V2PEG - 0 - 124 - 2 / A3 / 075	2m	PVC, UL 2464, grey, 3x0,75mm ² Cable: 781-A37300
55-00231	SAL - C8 - V2PEG - 0 - 124 - 3 / A3 / 075	3m	
55-00232	SAL - C8 - V2PEG - 0 - 124 - 5 / A3 / 075	5m	
55-00233	SAL - C8 - V2PEG - 0 - 124 - 10 / A3 / 075	10m	

D see data sheet cable

DO NOT ALTER CAD DRAWING BY HAND Directive 2002/95/EC RoHS compliant	Index: a 02.02.11 VF Ä3731 contact assignment modified, dimension cable diameter removed, part no. cable in table added	 dim. in mm	title: Valve plug type C, PE jumpered, with protective circuit									
				<table border="1"> <tr> <td></td> <td>date</td> <td>name</td> </tr> <tr> <td>drawn</td> <td>17.06.08</td> <td>Franz</td> </tr> <tr> <td>appd.</td> <td>17.06.08</td> <td>Schmidt</td> </tr> </table>		date	name	drawn	17.06.08	Franz	appd.	17.06.08
		date		name								
	drawn	17.06.08		Franz								
appd.	17.06.08	Schmidt										
THIS DRAWING MAY NOT BE COPIED OR REPRODUCED IN ANY WAY, AND MAY NOT BE PASSED ON TO A THIRD PARTY WITHOUT WRITTEN PERMISSION. OWNERSHIP AND COPYRIGHT OF CONEC GmbH		dwg no: 55K1A011										
		part no: see table										