

IN CASE OF E652XXXXXX1X000 WITHOUT LED

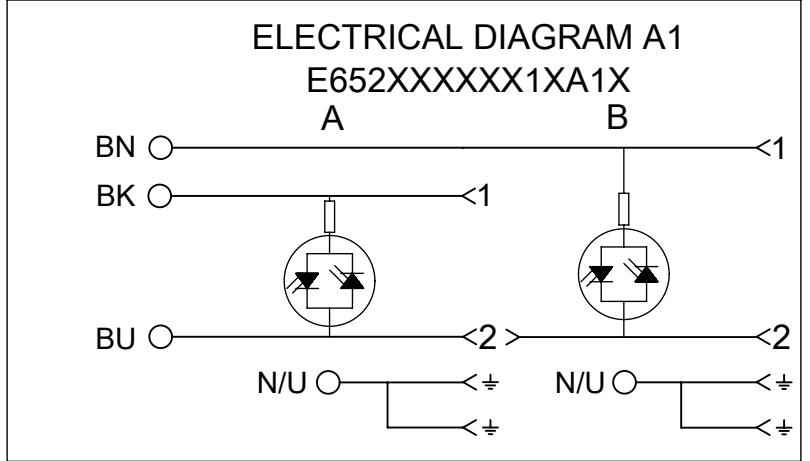
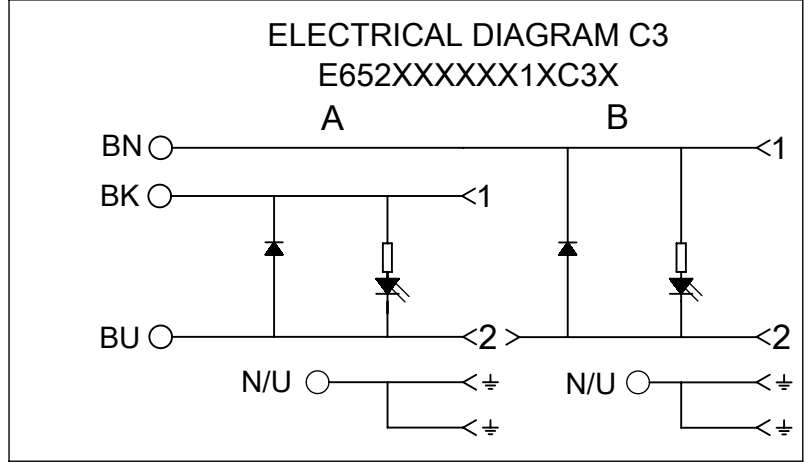
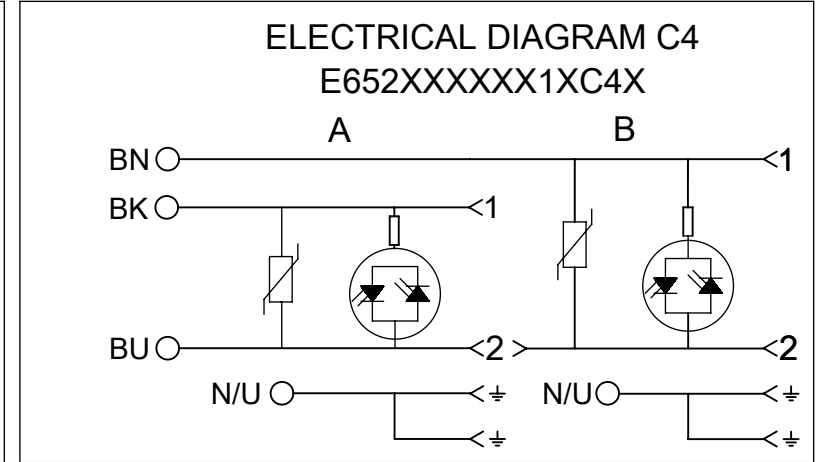
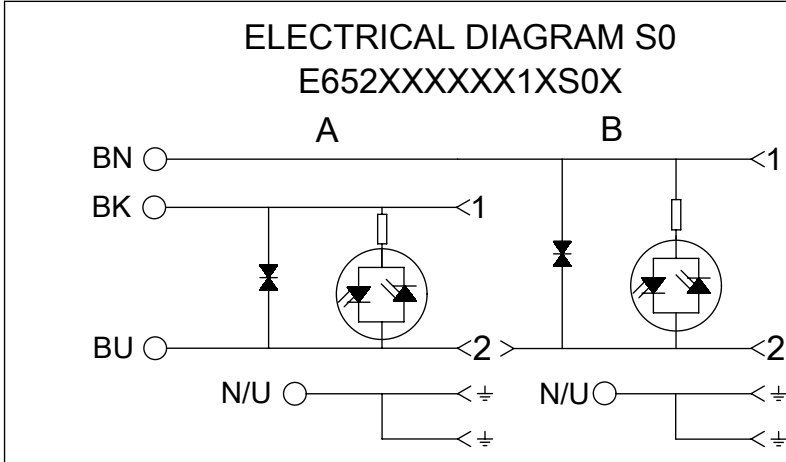
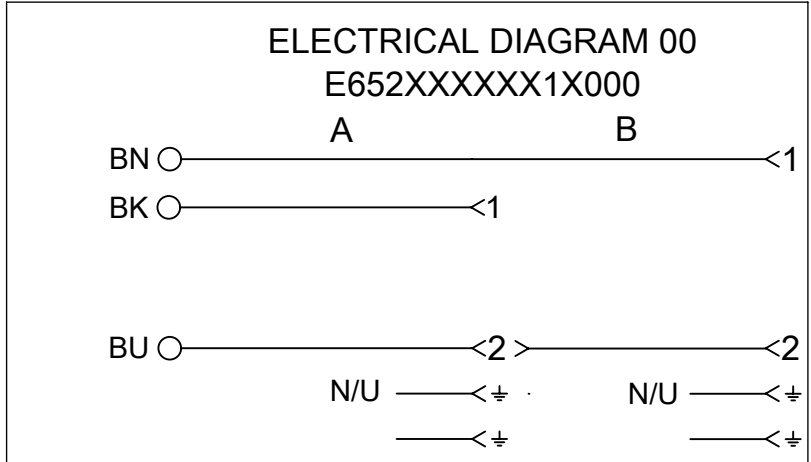
DIAGRAM TAMPOPRINT WHITE (NOT FOR E652XXXXXX1X000)

NOTES:
1. GROUND IS NOT CONNECTED

TABLE OF LENGHT TOLERANCES		
OVER	UP TO AND INCLUDING	TOLERANCE
0	500	-10/+20
500	1000	±20
1000	3000	±30
3000	5000	±40
5000	10000	±50
10000	15000	±100
15000	20000	±150
20000		±L/100

BILL OF MATERIALS

ITEM	QTY.	DESCRIPTION	MATERIAL	FINISH
12	0/2	INTEGRATED GASKET	NBR	-
11	0/2	WASHER	NBR	-
10	0/2	SCREW M3x27	STEEL	ZINC
9	0/2	FLAT GASKET	NBR/SILICONE	-
8	0/2	PROFILE GASKET	NBR/SILICONE	-
7	0/2	SCREW M3x25	STEEL	ZINC
6	2	LABEL WHITE	ABS	-
5	0/2	PCB	-	-
4	2	INSERT DIN A	PA66+25%G V0	-
3	8	CONTACT DIN	BRASS	SILVER
2	-	MOULDING MATERIAL	PP	-
1	-	CABLE (SEE SHEET 3)	-	-



NOTES :

ELECTRICAL - CURRENT : MAX. 5.0A
 CONTACT RESISTANCE : ≤15 milliohms MAX.
 INSULATION RESISTANCE : 100 Megaohms MIN.
 PHYSICAL - OPERATING TEMPERATURE WITH :
 NITRILE RUBBER (NBR) GASKET : -40°C TO +90°C
 LIVE CONTACT DISTANCE :
 FORM A - 18.00mm
 ENVIRONMENTAL - IP65 SEALING PROTECTION(FIXING SCREW)

FUNCTIONAL SYMBOLS	THIS DRAWING CONTAINS INFORMATION THAT IS PROPRIETARY TO MOLEX ELECTRONIC TECHNOLOGIES, LLC AND SHOULD NOT BE USED WITHOUT WRITTEN PERMISSION	CURRENT REV DESC: TOL. TABLE UPDATED																																																				
	<table border="1"> <tr> <th>DIMENSION UNITS</th> <th>SCALE</th> </tr> <tr> <td>mm</td> <td>1:1</td> </tr> </table>	DIMENSION UNITS	SCALE			mm	1:1	<table border="1"> <tr> <th colspan="3">GENERAL TOLERANCES (UNLESS SPECIFIED)</th> </tr> <tr> <td>ANGULAR TOL</td> <td>±</td> <td>1.0°</td> </tr> <tr> <td>4 PLACES</td> <td>±</td> <td></td> </tr> <tr> <td>3 PLACES</td> <td>±</td> <td></td> </tr> <tr> <td>2 PLACES</td> <td>±</td> <td>0.05</td> </tr> <tr> <td>1 PLACE</td> <td>±</td> <td>0.3</td> </tr> <tr> <td>0 PLACES</td> <td>±</td> <td>0.5</td> </tr> </table>		GENERAL TOLERANCES (UNLESS SPECIFIED)			ANGULAR TOL	±	1.0°	4 PLACES	±		3 PLACES	±		2 PLACES	±	0.05	1 PLACE	±	0.3	0 PLACES	±	0.5	<table border="1"> <tr> <td>EC NO: 642619</td> <td>2020/07/20</td> </tr> <tr> <td>DRWN: SSM</td> <td>2020/09/04</td> </tr> <tr> <td>CHK'D: RSILLER</td> <td>2020/09/04</td> </tr> <tr> <td>APPR: RSILLER</td> <td></td> </tr> </table>		EC NO: 642619	2020/07/20	DRWN: SSM	2020/09/04	CHK'D: RSILLER	2020/09/04	APPR: RSILLER		<table border="1"> <tr> <td colspan="3">STANDARD E652 DIN FORM A DUAL</td> </tr> <tr> <td colspan="3">PRODUCT CUSTOMER DRAWING</td> </tr> <tr> <td>DOCUMENT NUMBER</td> <td>DOC TYPE</td> <td>DOC PART</td> </tr> <tr> <td>1210550123</td> <td>PSD</td> <td>000</td> </tr> <tr> <td colspan="2">REVISION</td> <td>A1</td> </tr> </table>		STANDARD E652 DIN FORM A DUAL			PRODUCT CUSTOMER DRAWING			DOCUMENT NUMBER	DOC TYPE	DOC PART	1210550123	PSD	000
DIMENSION UNITS	SCALE																																																					
mm	1:1																																																					
GENERAL TOLERANCES (UNLESS SPECIFIED)																																																						
ANGULAR TOL	±	1.0°																																																				
4 PLACES	±																																																					
3 PLACES	±																																																					
2 PLACES	±	0.05																																																				
1 PLACE	±	0.3																																																				
0 PLACES	±	0.5																																																				
EC NO: 642619	2020/07/20																																																					
DRWN: SSM	2020/09/04																																																					
CHK'D: RSILLER	2020/09/04																																																					
APPR: RSILLER																																																						
STANDARD E652 DIN FORM A DUAL																																																						
PRODUCT CUSTOMER DRAWING																																																						
DOCUMENT NUMBER	DOC TYPE	DOC PART																																																				
1210550123	PSD	000																																																				
REVISION		A1																																																				
DIVISIONAL SYMBOLS	<table border="1"> <tr> <th>DRAFT WHERE APPLICABLE MUST REMAIN WITHIN DIMENSIONS</th> <th>THIRD ANGLE PROJECTION</th> <th>DRAWING</th> <th>SERIES</th> <th>MATERIAL NUMBER</th> <th>CUSTOMER</th> <th>SHEET NUMBER</th> </tr> <tr> <td></td> <td></td> <td>A3-SIZE</td> <td>121055</td> <td>SEE SHEET 3</td> <td>GENERAL MARKET</td> <td>1 OF 3</td> </tr> </table>	DRAFT WHERE APPLICABLE MUST REMAIN WITHIN DIMENSIONS	THIRD ANGLE PROJECTION	DRAWING	SERIES	MATERIAL NUMBER	CUSTOMER	SHEET NUMBER			A3-SIZE	121055	SEE SHEET 3	GENERAL MARKET	1 OF 3																																							
DRAFT WHERE APPLICABLE MUST REMAIN WITHIN DIMENSIONS	THIRD ANGLE PROJECTION	DRAWING	SERIES	MATERIAL NUMBER	CUSTOMER	SHEET NUMBER																																																
		A3-SIZE	121055	SEE SHEET 3	GENERAL MARKET	1 OF 3																																																

ENGINEERING NO. - NUMERICAL CODE (Available parts see PART LIST table. Others on request).

E652 XX XXXX 1 XXXX

E - Packing without bags
W - Single packing
Q - Quick packing

Cable type:
See Table 1

Cable Cross Section Area:
See Table 1

Head Color:
G=Grey
N=Black
T=Transparent
A=CSA-UL Black
B=CSA-UL Grey

Cable Length in Meters (L):
A=1
B=1.5
C=2
D=2.5
E=3
F=3.5
G=4
H=4.5
L=5
M=5.5
N=6
P=6.5
Q=7
R=7.5
S=8
T=8.5
U=9
K=10

Cable Length in cm Between 2 Mouldings (L1)
Eg.: 15=15 cm
30=30 cm
1K=100 cm
min length=13 cm

Earth PIN Location:
1=Double Earth on 6H and 12H

Internal Circuit Wiring Configuration
Eg.: C4, 00, S0
See Sheet 1

Voltage and LED Color:

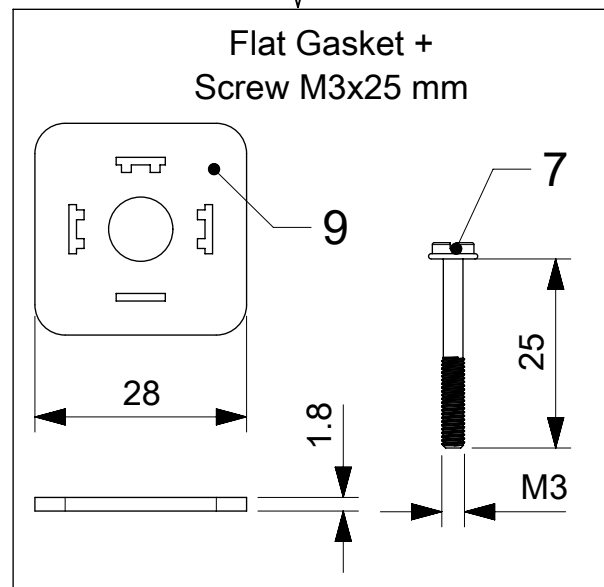
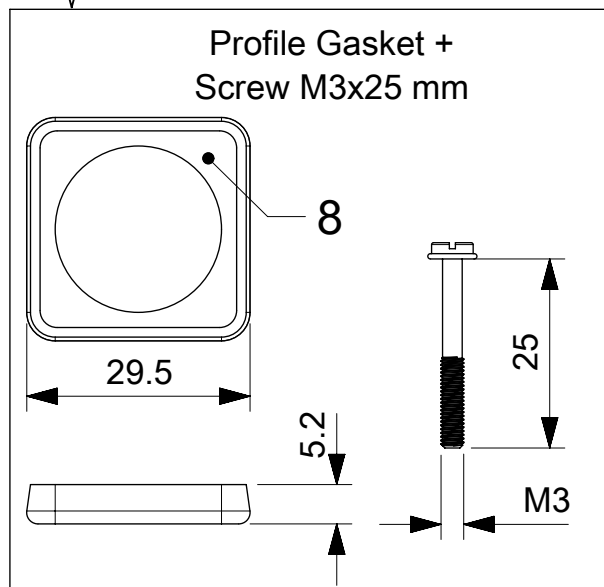
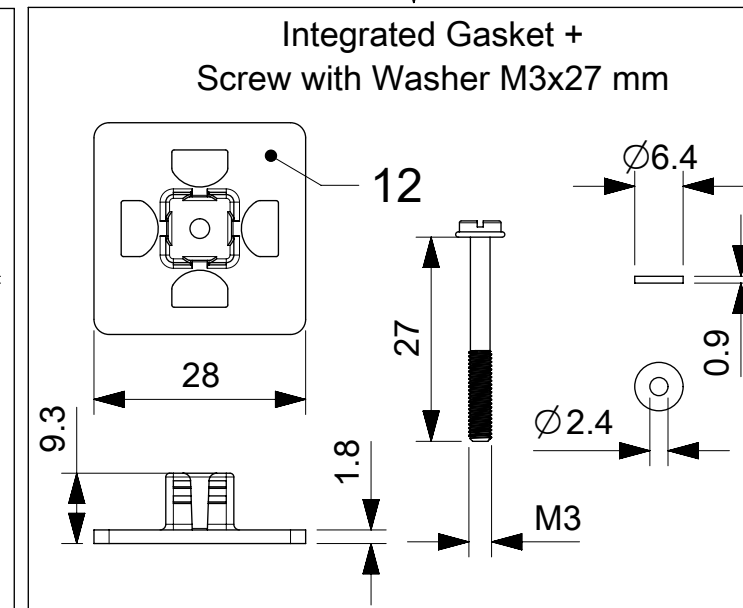
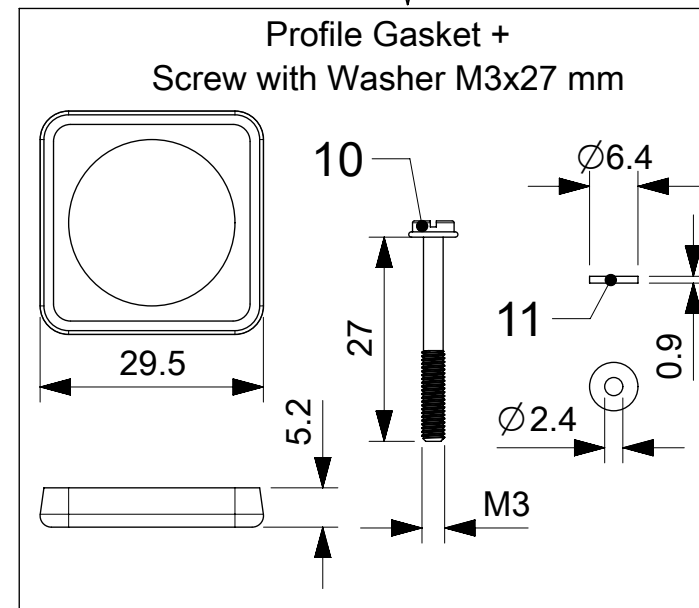
1= 12V
2= 24V
3= 48V
4= 115V
5= 230V
RED LED

A= 12V
B= 24V
C= 48V
D= 115V
E= 230V
GREEN LED

G= 12V
H= 24V
K= 48V
L= 115V
M= 230V
YELLOW LED

Type of Gasket and Screw:

- 1=NBR Profile Gasket + Fixing Screw (M3x25 mm)
- 2=NBR Flat Gasket + Fixing Screw (M3x25 mm)
- 3=Silicone Profile Gasket + Fixing Screw (M3x25 mm)
- 4=Silicone Flat Gasket + Fixing Screw (M3x25 mm)
- P=Integrated Gasket Assembled + Fixing Screw with Washer Assembled (M3x27 mm)
- R=Integrated Gasket + Fixing Screw + Washer (M3x27 mm)
- T=Profile Gasket + Fixing Screw + Washer (M3x27 mm)



FUNCTIONAL SYMBOLS	THIS DRAWING CONTAINS INFORMATION THAT IS PROPRIETARY TO MOLEX ELECTRONIC TECHNOLOGIES, LLC AND SHOULD NOT BE USED WITHOUT WRITTEN PERMISSION	
△/A = 0	DIMENSION UNITS: mm	SCALE: 1:1
△/E = 0	GENERAL TOLERANCES (UNLESS SPECIFIED)	
△/F = 0	ANGULAR TOL ± 1.0°	
DIVISIONAL SYMBOLS	4 PLACES ±	3 PLACES ±
	2 PLACES ± 0.05	1 PLACE ± 0.3
	0 PLACES ± 0.5	
DRAFT WHERE APPLICABLE MUST REMAIN WITHIN DIMENSIONS		THIRD ANGLE PROJECTION
CURRENT REV DESC: TOL. TABLE UPDATED		EC NO: 642619
		DRWN: SSM 2020/07/20
		CHK'D: RSILLER 2020/09/04
		APPR: RSILLER 2020/09/04
INITIAL REVISION:		DOCUMENT NUMBER
DRWN: APAWLAK01 2017/07/03		1210550123
APPR: MIWASIECZKO 2017/07/05		DOC TYPE DOC PART REVISION
		PSD 000 A1
DRAWING: A3-SIZE		SERIES: 121055
MATERIAL NUMBER: SEE SHEET 3		CUSTOMER: GENERAL MARKET
SHEET NUMBER: 2 OF 3		

TABLE 1 - CABLES

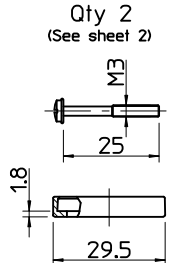
Molex PN	mPm	Code	Wires	Cross Section	Material	Colour	Diameter \varnothing
1210180080	I	0	3	1 mm ²	PVC CEI 2022 II O.R.	Grey RAL7035	6.4±0.2 mm
1210180467	A	2	2	20 AWG	PVC CSA/UL 2661	Black	5.4±0.2 mm
1210180128	A	2	3	20 AWG	PVC CSA/UL 2661	Black	5.6±0.2 mm
1210180394	A	2	4	20 AWG	PVC CSA/UL 2661	Black	6.2±0.25 mm
-	A	2	5	20 AWG	PVC CSA/UL 2661	Black	7±0.2 mm
1210180297	B	2	2	20 AWG	PUR CSA/UL 20668	Black	5.6±0.2 mm
1210180126	B	2	3	20 AWG	PUR CSA/UL 20668	Black	5.6±0.2 mm
1210180387	B	2	4	20 AWG	PUR CSA/UL 20668	Black	6.2±0.2 mm
-	B	2	5	20 AWG	PUR CSA/UL 20668	Black	7±0.2 mm
1210180122	D	2	3	0.5 mm ²	PVC TI2 CEI 20-20	Grey	5.5±0.2 mm
-	F	2	3	0.5 mm ²	CNEOMO	Grey RAL7000	5.5±0.2 mm
1210180047	I	2	2	0.5 mm ²	PVC CEI 2022 II O.R.	Grey RAL7035	5.5+0.3/-0 mm
1210180284	I	2	3	0.5 mm ²	PVC CEI 2022 II O.R.	Grey RAL7035	5.5+0.3/-0 mm
1210180146	I	2	4	0.5 mm ²	PVC CEI 2022 II O.R.	Grey RAL7035	6.5±0.2 mm
1210180177	I	2	5	0.5 mm ²	PVC CEI 2022 II O.R.	Grey RAL7035	7±0.2 mm
1210180022	N	2	2	0.5 mm ²	PVCH03	Black	5.2±0.2 mm
1202092753	N	2	3	0.5 mm ²	PVCH03	Black	5.5±0.2 mm
1210180153	N	2	4	0.5 mm ²	PVCH03	Black	6.9 mm max
1210180046	P	2	2	0.5 mm ²	PUR-BLEND	Black	5.5±0.2 mm
1202092439	P	2	3	0.5 mm ²	PUR-BLEND	Black	5.5+0.3/-0 mm
1210180302	P	2	4	0.5 mm ²	PUR-BLEND	Black	6.5±0.2 mm
1202092215	P	2	5	0.5 mm ²	PUR-BLEND	Black	7+0.3/-0.1 mm
1210180409	A	3	2	18 AWG	PVC CSA/UL 2661	Black	6.5±0.25 mm
1210180129	A	3	3	18 AWG	PVC CSA/UL 2661	Black	6.5±0.25 mm
1210180159	A	3	4	18 AWG	PVC CSA/UL 2661	Black	7±0.3 mm
1210180464	A	3	5	18 AWG	PVC CSA/UL 2661	Black	7.8±0.25 mm
1210180351	B	3	2	18 AWG	PUR CSA/UL 20668	Black	6.8±0.2 mm
1210180127	B	3	3	18 AWG	PUR CSA/UL 20668	Black	6.5±0.2 mm
1210180160	B	3	4	18 AWG	PUR CSA/UL 20668	Black	7±0.2 mm
1210180463	B	3	5	18 AWG	PUR CSA/UL 20668	Black	7.8±0.2 mm
1210180073	D	3	3	0.75 mm ²	PVC TI2 CEI 20-20	Grey	6.5±0.2 mm
1210180145	D	3	4	0.75 mm ²	PVC TI2 CEI 20-20	Grey	7.1±0.2 mm
1202098206	I	3	2	0.75 mm ²	PVC CEI 2022 II O.R.	Grey RAL7001	5.5±0.2 mm
1210180120	I	3	3	0.75 mm ²	PVC CEI 2022 II O.R.	Grey RAL7035	6±0.2 mm
1210180143	I	3	4	0.75 mm ²	PVC CEI 2022 II O.R.	Grey RAL7035	7±0.2 mm
1210180032	N	3	2	0.75 mm ²	PVCH05	Black	6.2±0.2 mm
1210180069	N	3	3	0.75 mm ²	PVCH05	Black	6.5±0.2 mm
1210180144	N	3	4	0.75 mm ²	PVCH05	Black	7.1±0.2 mm
1210180174	N	3	5	0.75 mm ²	PVCH05	Black	8.0+0.2/-0 mm
1202094190	P	3	2	0.75 mm ²	PUR-BLEND	Black	6.5±0.2 mm
1210180071	P	3	3	0.75 mm ²	PUR-BLEND	Black	6.5±0.2 mm
1210180152	P	3	4	0.75 mm ²	PUR-BLEND	Black	7±0.2 mm
1210180384	R	3	3	0.75 mm ²	TPR HAL. FREE	Black	6.5±0.2 mm
1210180094	T	3	3	0.75 mm ²	PUR CSA/UL	Yellow	6.5±0.2 mm
1210180309	Y	3	3	0.75 mm ²	SIL/0300	Red	6.5±0.2 mm
1210180081	F	4	3	1 mm ²	CNEOMO	Grey RAL7000	7.1+0.2/-0 mm
-	F	4	4	1 mm ²	CNEOMO	Grey RAL7000	7.1+0.2/-0 mm
1210180042	I	4	2	1 mm ²	PVC CEI 2022 II O.R.	Grey RAL7035	7.1+0.2/-0 mm
1210180079	I	4	3	1 mm ²	PVC CEI 2022 II O.R.	Grey RAL7035	7.1+0.2/-0 mm
1210180036	N	4	2	1 mm ²	PVCH05	Black	6.5±0.2 mm
1210180082	N	4	3	1 mm ²	PVCH05	Black	6.9±0.2 mm
1210180117	R	4	3	1 mm ²	TPR HAL. FREE	Black	7.1±0.2 mm
1210180085	N	5	3	1.5 mm ²	PVCH05	Black	8.3+0.2/-0 mm
1210180313	I	6	2	0.35 mm ²	PVC CEI 2022 II O.R.	Grey RAL7035	4.8±0.2 mm
-	A	7	3	20 AWG	PVC CSA/UL 2661	Yellow	5.6±0.2 mm
1210180149	I	9	4	0.75 mm ²	PVC CEI 2022 II O.R.	Grey RAL7035	7.3±0.2 mm

TABLE 2 - PART LIST

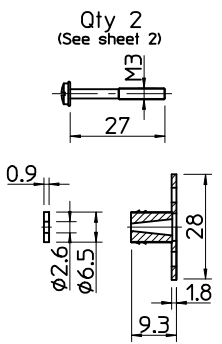
MOLEX PN	ENGINEERING PN
1210550123	E652N3NC3011C3B
1210550139	E652N2NL1511S02
1210550160	E652N2NL151PS02
1210550206	E652N3NE1611C42
1210550207	E652N3NE1611C41
1210550254	E652P2NP1321C4H
1210550276	E652N2NL1611C4H
1210550278	E652N3NB3511000
1210550279	E652N3NL1611C4H
1210550281	E652P3NA1311A11
1210550297	E652N3NC1611000
1210550304	E652N2NE201PS02
1210550316	E652N2NE251PS02
1210550335	E652P3NA131PS0G
1210550336	E652P3NA151PS0G
1210550348	E652N2NE151PS02

FUNCTIONAL SYMBOLS	THIS DRAWING CONTAINS INFORMATION THAT IS PROPRIETARY TO MOLEX ELECTRONIC TECHNOLOGIES, LLC AND SHOULD NOT BE USED WITHOUT WRITTEN PERMISSION		CURRENT REV DESC: TOL. TABLE UPDATED	
	$\nabla/A = 0$ $\nabla/E = 0$ $\nabla/P = 0$	DIMENSION UNITS: mm SCALE: 1:1	GENERAL TOLERANCES (UNLESS SPECIFIED) ANGULAR TOL $\pm 1.0^\circ$ 4 PLACES \pm 3 PLACES \pm 2 PLACES ± 0.05 1 PLACE ± 0.3 0 PLACES ± 0.5	
DIVISIONAL SYMBOLS	EC NO: 642619 DRWN: SSM CHK'D: RSILLER APPR: RSILLER		2020/07/20 2020/09/04 2020/09/04	
	INITIAL REVISION: DRWN: APAWLAK01 APPR: MIWASIECZKO		2017/07/03 2017/07/05	
DRAFT WHERE APPLICABLE MUST REMAIN WITHIN DIMENSIONS		THIRD ANGLE PROJECTION	DRAWING: A3-SIZE	SERIES: 121055
DOCUMENT STATUS: P1 RELEASE DATE: 2020/09/04 13:21:28		MATERIAL NUMBER: 1210550123	CUSTOMER: GENERAL MARKET	SHEET NUMBER: 3 OF 3

Screw M3x25
and Profile Gasket
Qty 2
(See sheet 2)



Screw M3x27
with Grommet
& Integrated Gasket
Qty 2
(See sheet 2)



CIRCUIT TAMPO PRINTOUT/WHITE
(Not for E65XXXXXX1X000)

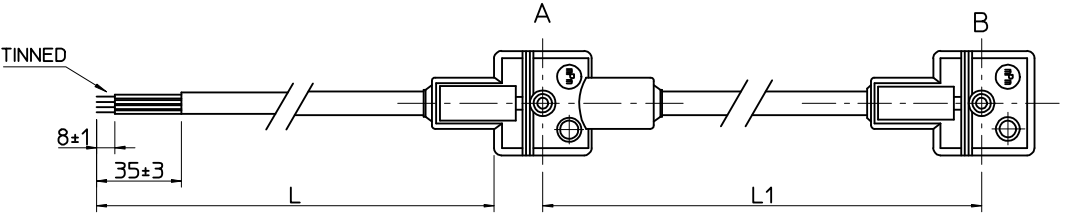
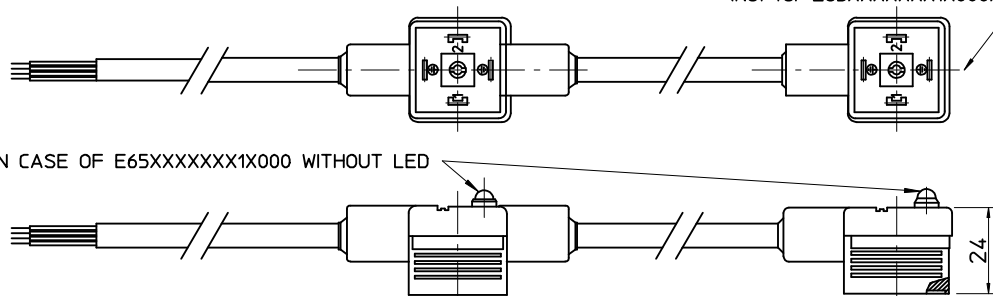
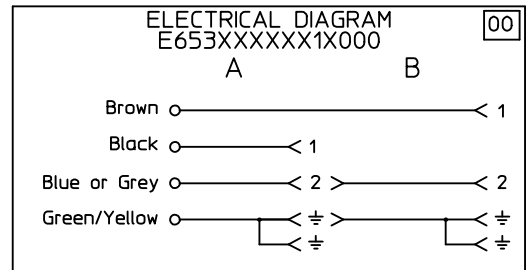
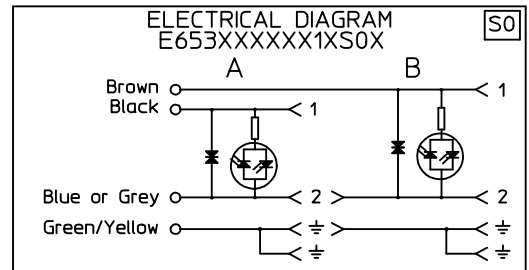
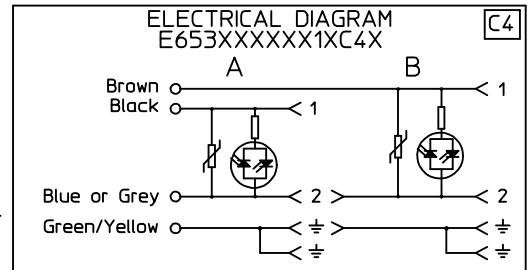
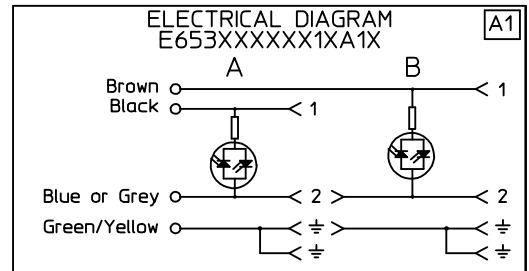
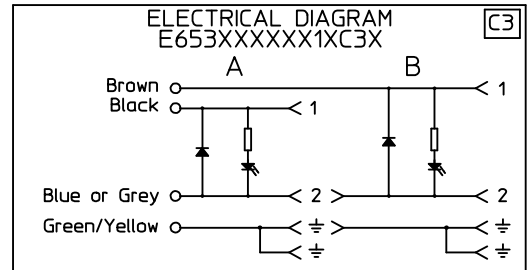


Table of length tolerances [mm]

Over	Up to and including	Tolerance
0	1000	±20
1000	3000	±30
3000	5000	±40
5000	10000	±50
10000	15000	±100
15000	20000	±150
20000		±L/100

NOTE: Ground on schematics does not apply to E652XXXXXX1XXXX



DRAWING UPDATE
EC NO: IPG2013-1505
DRWIN: JMARSZALEK 2013/03/28
CHKD: CHYKO
APPR: MIWASIECZKO 2013/04/02

QUALITY SYMBOLS

GENERAL TOLERANCES (UNLESS SPECIFIED)

	mm	INCH
4 PLACES	± ---	± ---
3 PLACES	± ---	± ---
2 PLACES	± ---	± ---
1 PLACE	± ---	± ---
0 PLACE	± ---	± ---

ANGULAR ± --- °

DRAFT WHERE APPLICABLE MUST REMAIN WITHIN DIMENSIONS

DIMENSION STYLE
MM ONLY

DRAWN BY: JMARSZALEK DATE: 2013/01/16
CHECKED BY: MSZWAJKOWSKI DATE: 2013/01/16
APPROVED BY: MIWASIECZKO DATE: 2013/02/12

MATERIAL NO. SEE SHEET 2&3

SCALE: DESIGN UNITS: METRIC

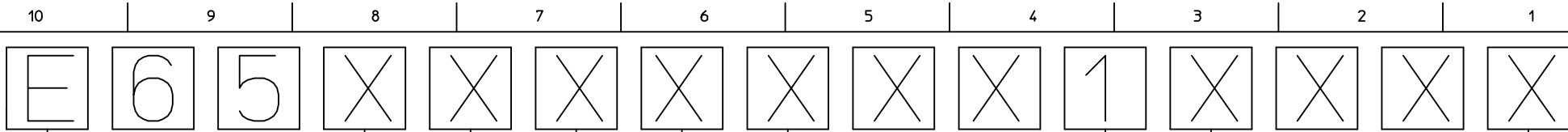
FIRST ANGLE PROJECTION

TITLE: E65XXXXXX1XXXX DUAL DIN FORM A

molex

DOCUMENT NO. SD-121055-001 SHEET NO. 1 OF 4

THIS DRAWING CONTAINS INFORMATION THAT IS PROPRIETARY TO MOLEX INCORPORATED AND SHOULD NOT BE USED WITHOUT WRITTEN PERMISSION



E - Packing without bags
 W - Single packing
 Q - Quick packing

NUMBER OF WIRES:
 2=2 POLES
 3=2 POLES+GROUND

CABLE TYPE
 SEE TABLE 1

CABLE CROSS SECTION AREA
 SEE TABLE 2

HEAD COLOUR:

G=GREY
 N=BLACK
 T=TRANSPARENT
 A=CSA-UL BLACK
 B=CSA-UL GREY

CABLE LENGTH IN CM BETWIN 2 MOULDINGS (L1)
 Eg.:050=50 CM, 300=300 CM, 10K=1000 CM

EARTH PIN LOCATION:
 1=DOUBLE EARTH ON 6H AND 12H,

TYPE OF GASKET AND SCREW:

1=NBR PROFILE GASKET + FIXING SCREWS (M3x25 mm).
 2=NBR FLAT GASKET + FIXING SCREW (M3x25 mm).
 3=SILICONE PROFILE GASKET + FIXING SCREW (M3x25 mm).
 4=SILICON FLAT GASKET + FIXING SCREW (M3x25 mm).
 P=INTEGRATED GASKET ASSEMBLED + FIXING SCREW WITH GROMMET ASSEMBLED (M3x27 mm).
 R=INTAGRATED GASKET + FIXING SCREW + GROMMET (M3x27 mm).
 T=PROFILE GASKET + FIXING SCREW + GROMMET (M3x27 mm).

INTERNAL CIRCUIT
 WIRING CONFIGURATION

VOLTAGE AND LED COLOUR:

1= 12V	A= 12V	G= 12V
2= 24V	B= 24V	H= 24V
3= 48V	C= 48V	K= 48V
4= 115V	D= 115V	L= 115V
5= 230V	E= 230V	M= 230V

RED LED GREEN LED YELLOW LED

CABLE LENGHT IN METERS (L)

A=1
 B=1,5
 C=2
 D=2,5
 E=3
 F=3,5
 G=4
 H=4,5
 L=5
 M=5,5
 N=6
 P=6,5
 Q=7
 R=7,5
 S=8
 T=8,5
 U=9
 K=10

DRAWING UPDATE EC NO: IPG2013-1505 DRWN: JMARSZALEK 2013/03/28 CHKD: APPR: MIWASIECZKO 2013/04/02	QUALITY SYMBOLS	GENERAL TOLERANCES (UNLESS SPECIFIED)	DIMENSION STYLE MM ONLY	SCALE 1:1	DESIGN UNITS METRIC	FIRST ANGLE PROJECTION																																					
	=0 =0	<table border="1"> <thead> <tr> <th></th> <th>mm</th> <th>INCH</th> </tr> </thead> <tbody> <tr> <td>4 PLACES</td> <td>± ---</td> <td>± ---</td> </tr> <tr> <td>3 PLACES</td> <td>± ---</td> <td>± ---</td> </tr> <tr> <td>2 PLACES</td> <td>± ---</td> <td>± ---</td> </tr> <tr> <td>1 PLACE</td> <td>± ---</td> <td>± ---</td> </tr> <tr> <td>0 PLACE</td> <td>± ---</td> <td>± ---</td> </tr> </tbody> </table>		mm	INCH	4 PLACES	± ---	± ---	3 PLACES	± ---	± ---	2 PLACES	± ---	± ---	1 PLACE	± ---	± ---	0 PLACE	± ---	± ---	<table border="1"> <thead> <tr> <th colspan="2">DRAWN BY</th> <th>DATE</th> </tr> </thead> <tbody> <tr> <td>JMARSZALEK</td> <td></td> <td>2013/01/16</td> </tr> <tr> <th colspan="2">CHECKED BY</th> <th>DATE</th> </tr> <tr> <td>MSZWAJKOWSKI</td> <td></td> <td>2013/01/16</td> </tr> <tr> <th colspan="2">APPROVED BY</th> <th>DATE</th> </tr> <tr> <td>MIWASIECZKO</td> <td></td> <td>2013/02/12</td> </tr> </tbody> </table>	DRAWN BY		DATE	JMARSZALEK		2013/01/16	CHECKED BY		DATE	MSZWAJKOWSKI		2013/01/16	APPROVED BY		DATE	MIWASIECZKO		2013/02/12	TITLE	E65XXXXXXXX1XXXX DUAL DIN FORM A		
		mm	INCH																																								
	4 PLACES	± ---	± ---																																								
	3 PLACES	± ---	± ---																																								
2 PLACES	± ---	± ---																																									
1 PLACE	± ---	± ---																																									
0 PLACE	± ---	± ---																																									
DRAWN BY		DATE																																									
JMARSZALEK		2013/01/16																																									
CHECKED BY		DATE																																									
MSZWAJKOWSKI		2013/01/16																																									
APPROVED BY		DATE																																									
MIWASIECZKO		2013/02/12																																									
DRAFT WHERE APPLICABLE MUST REMAIN WITHIN DIMENSIONS	MATERIAL NO. SEE SHEET 2&3	DOCUMENT NO. SD-121055-001																																									
	SIZE A3	THIS DRAWING CONTAINS INFORMATION THAT IS PROPRIETARY TO MOLEX INCORPORATED AND SHOULD NOT BE USED WITHOUT WRITTEN PERMISSION																																									

TABLE 2 - CABLES

Mollex PN	mPm	Code	Wires	Cross Section	Material	Color	Diameter Ø	DIN A-B	DIN C
1210180080	I	0	3	1 mm2	PVC CEI 2022 II O.R.	Grey RAL7035	6,4±0,2 mm	OK.	-
1210180467	A	2	2	20 AWG	PVC CSA/UL 2661	Black	5,4±0,2 mm	OK.	OK.
1210180128	A	2	3	20 AWG	PVC CSA/UL 2661	Black	5,6±0,2 mm	OK.	OK.
1210180394	A	2	4	20 AWG	PVC CSA/UL 2661	Black	6,2±0,25 mm	OK.	OK.
-	A	2	5	20 AWG	PVC CSA/UL 2661	Black	7±0,2 mm	OK.	-
1210180297	B	2	2	20 AWG	PUR CSA/UL 20668	Black	5,6±0,2 mm	OK.	OK.
1210180126	B	2	3	20 AWG	PUR CSA/UL 20668	Black	5,6±0,2 mm	OK.	OK.
1210180387	B	2	4	20 AWG	PUR CSA/UL 20668	Black	6,2±0,2 mm	OK.	OK.
-	B	2	5	20 AWG	PUR CSA/UL 20668	Black	7±0,2 mm	OK.	-
1210180122	D	2	3	0,5 mm2	PVC TI2 CEI 20-20	Grey	5,5±0,2 mm	OK.	OK.
-	F	2	3	0,5 mm2	CNOMO	Grey RAL7000	5,5±0,2 mm	OK.	OK.
1210180047	I	2	2	0,5 mm2	PVC CEI 2022 II O.R.	Grey RAL7035	5,5+0,3/-0 mm	OK.	OK.
1210180284	I	2	3	0,5 mm2	PVC CEI 2022 II O.R.	Grey RAL7035	5,6+0,3/-0 mm	OK.	OK.
1210180146	I	2	4	0,5 mm2	PVC CEI 2022 II O.R.	Grey RAL7035	6,5±0,2 mm	OK.	OK.
1210180177	I	2	5	0,5 mm2	PVC CEI 2022 II O.R.	Grey RAL7035	7±0,2 mm	OK.	-
1210180022	N	2	2	0,5 mm2	PVCH03	Black	5,2±0,2 mm	OK.	OK.
1202092753	N	2	3	0,5 mm2	PVCH03	Black	5,5±0,2 mm	OK.	OK.
1210180153	N	2	4	0,5 mm2	PVCH03	Black	6,9 mm max	OK.	OK.
1210180046	P	2	2	0,5 mm2	PUR - BLEND	Black	5,5±0,2 mm	OK.	OK.
1202092439	P	2	3	0,5 mm2	PUR - BLEND	Black	5,5 +0,3/-0 mm	OK.	OK.
1210180302	P	2	4	0,5 mm2	PUR - BLEND	Black	6,5±0,2 mm	OK.	OK.
1202092215	P	2	5	0,5 mm2	PUR - BLEND	Black	7+0,3/-0,1 mm	OK.	OK.
1210180409	A	3	2	18 AWG	PVC CSA/UL 2661	Black	6,5±0,25 mm	OK.	-
1210180129	A	3	3	18 AWG	PVC CSA/UL 2661	Black	6,5±0,25 mm	OK.	-
1210180159	A	3	4	18 AWG	PVC CSA/UL 2661	Black	7±0,3 mm	OK.	-
1210180464	A	3	5	18 AWG	PVC CSA/UL 2661	Black	7,8±0,25 mm	OK.	-
1210180351	B	3	2	18 AWG	PUR CSA/UL 20668	Black	6,8±0,2 mm	OK.	-
1210180127	B	3	3	18 AWG	PUR CSA/UL 20668	Black	6,5±0,2 mm	OK.	-
1210180160	B	3	4	18 AWG	PUR CSA/UL 20668	Black	7±0,2 mm	OK.	-
1210180463	B	3	5	18 AWG	PUR CSA/UL 20668	Black	7,8±0,2 mm	OK.	-
1210180073	D	3	3	0,75 mm2	PVC TI2 CEI 20-20	Grey	6,5±0,2 mm	OK.	OK.
1210180145	D	3	4	0,75 mm2	PVC TI2 CEI 20-20	Grey	7,1±0,2 mm	OK.	-
1202098206	I	3	2	0,75 mm2	PVC CEI 2022 II O.R.	Grey RAL7001	5,5±0,2 mm	OK.	-
1210180120	I	3	3	0,75 mm2	PVC CEI 2022 II O.R.	Grey RAL7035	6±0,2 mm	OK.	-
1210180143	I	3	4	0,75 mm2	PVC CEI 2022 II O.R.	Grey RAL7035	7±0,2 mm	OK.	-
1210180032	N	3	2	0,75 mm2	PVCH05	Black	6,2±0,2 mm	OK.	-
1210180069	N	3	3	0,75 mm2	PVCH05	Black	6,5±0,2 mm	OK.	-
1210180144	N	3	4	0,75 mm2	PVCH05	Black	7,1±0,2 mm	OK.	-
1210180174	N	3	5	0,75 mm2	PVCH05	Black	8,0+0,2-0 mm	OK.	-
1202094190	P	3	2	0,75 mm2	PUR - BLEND	Black	6,5±0,2 mm	OK.	-

TABLE 2 - CABLES

Mollex PN	mPm	Code	Wires	Cross Section	Material	Color	Diameter Ø	DIN A-B	DIN C
1210180071	P	3	3	0,75 mm2	PUR - BLEND	Black	6,5±0,2 mm	OK.	-
1210180152	P	3	4	0,75 mm2	PUR - BLEND	Black	7±0,2 mm	OK.	-
1210180384	R	3	3	0,75 mm2	TPR HAL. FREE	Black	6,5±0,2 mm	OK.	-
1210180094	T	3	3	0,75 mm2	PUR CSA/UL	Yellow	6,5±0,2 mm	OK.	-
1210180309	Y	3	3	0,75 mm2	SIL/0300	Red	6,5±0,2 mm	OK.	-
1210180081	F	4	3	1 mm2	CNOMO	Grey RAL7000	7,1+0,2/-0 mm	OK.	-
-	F	4	4	1 mm2	CNOMO	Grey RAL7000	7,1+0,2/-0 mm	OK.	-
1210180042	I	4	2	1 mm2	PVC CEI 2022 II O.R.	Grey RAL7035	7,1+0,2/-0 mm	OK.	-
1210180079	I	4	3	1 mm2	PVC CEI 2022 II O.R.	Grey RAL7035	7,1+0,2/-0 mm	OK.	-
1210180036	N	4	2	1 mm2	PVCH05	Black	6,5±0,2 mm	OK.	-
1210180082	N	4	3	1 mm2	PVCH05	Black	6,9±0,2 mm	OK.	-
1210180117	R	4	3	1 mm2	TPR HAL. FREE	Black	7,1±0,2 mm	OK.	-
1210180085	N	5	3	1,5 mm2	PVCH05	Black	8,3+0,2/-0 mm	OK.	-
1210180313	I	6	2	0,35 mm2	PVC CEI 2022 II O.R.	Grey RAL7035	4,8±0,2 mm	OK.	-
-	A	7	3	20 AWG	PVC CSA/UL 2661	Yellow	5,6±0,2 mm	OK.	OK.
1210180149	I	9	4	0,75 mm2	PVC CEI 2022 II O.R.	Grey RAL7035	7,3±0,2 mm	OK.	-

TABLE 1 - CABLES TYPE

Code	Cable types	Features	Stranding
N	PVC	Application general purpose cable which has good resistance to water, but usually poor oil resistance.	0,5 mm2 = 15 x 0,20 0,75 mm2 = 21 x 0,20 1 mm2 = 28 x 0,20
I	CEI	Approved to IEC 332-2A, flame retardant and self extinguishing. Limited resistant to mineral oils.	0,5 mm2 = 28 x 0,15 0,75 mm2 = 42 x 0,15 1 mm2 = 32 x 0,20
P	PUR	Offer good resistance to oil and chemicals. Can swell when constantly immersed in water.	0,5 mm2 = 28 x 0,15 0,75 mm2 = 42 x 0,15 1 mm2 = 32 x 0,20
A	PVC CSA-UL	Approved to CSA-UL 2661, application general purpose cable which has good resistance to water, but usually poor oil resistance.	20 AWG = 32 x 0,15 18 AWG = 52 x 0,15
B	PUR CSA-UL	Approved to CSA-UL 20668, very good resistance to oil and chemicals.	20 AWG = 32 x 0,15 18 AWG = 52 x 0,15

DRAWING UPDATE
EC NO: IPG2013-1505
DRWN: JMARSZALEK 2013/03/28
CHKD:
APPR: MIWASIECZKO 2013/04/02

QUALITY SYMBOLS
▽=0
◻=0

GENERAL TOLERANCES (UNLESS SPECIFIED)

	mm	INCH
4 PLACES	± ---	± ---
3 PLACES	± ---	± ---
2 PLACES	± ---	± ---
1 PLACE	± ---	± ---
0 PLACE	± ---	± ---

ANGULAR ± --- °
DRAFT WHERE APPLICABLE MUST REMAIN WITHIN DIMENSIONS

DIMENSION STYLE
MM ONLY

DRAWN BY	DATE
JMARSZALEK	2013/01/16
CHECKED BY	DATE
MSZWAJKOWSKI	2013/01/16
APPROVED BY	DATE
MIWASIECZKO	2013/02/12

MATERIAL NO.
SEE SHEET 2&3

SCALE
1:1

DESIGN UNITS
METRIC

FIRST ANGLE PROJECTION

TITLE
E65XXXXXXXX1XXXX
DUAL DIN FORM A

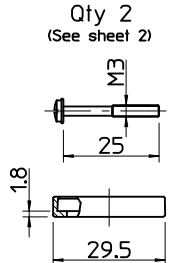
molex

DOCUMENT NO.
SD-121055-001

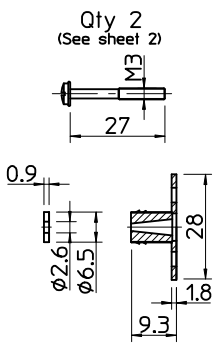
SHEET NO.
3 OF 4

THIS DRAWING CONTAINS INFORMATION THAT IS PROPRIETARY TO MOLEX INCORPORATED AND SHOULD NOT BE USED WITHOUT WRITTEN PERMISSION

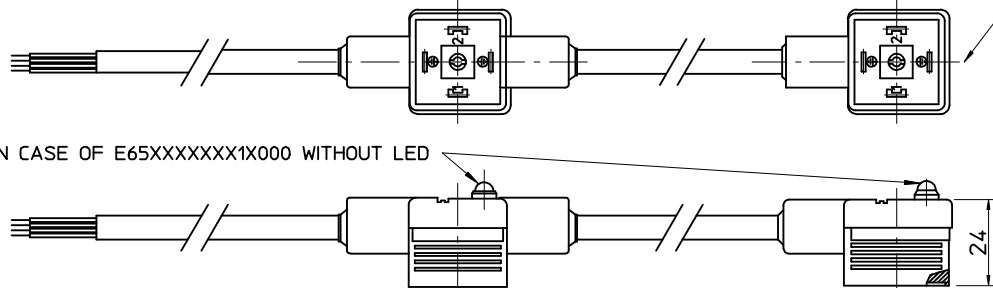
Screw M3x25
and Profile Gasket
Qty 2
(See sheet 2)



Screw M3x27
with Grommet
& Integrated Gasket
Qty 2
(See sheet 2)



CIRCUIT TAMPO PRINTOUT/WHITE
(Not for E65XXXXXX1X000)



IN CASE OF E65XXXXXX1X000 WITHOUT LED

TINNED

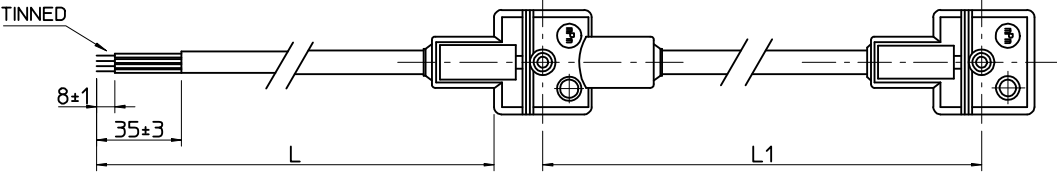
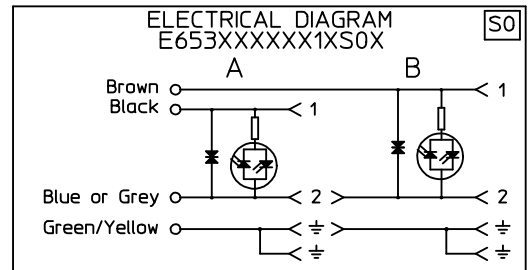
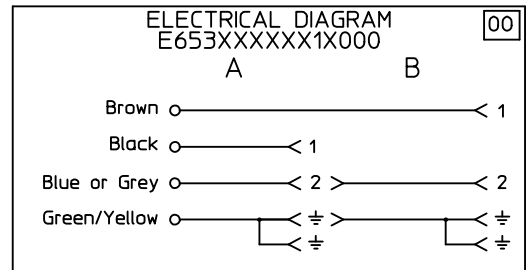
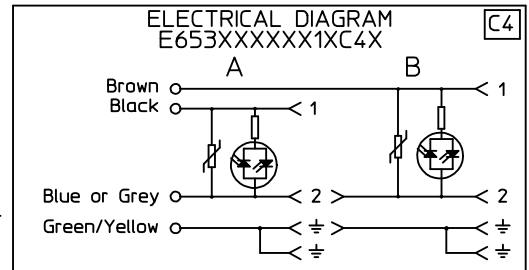
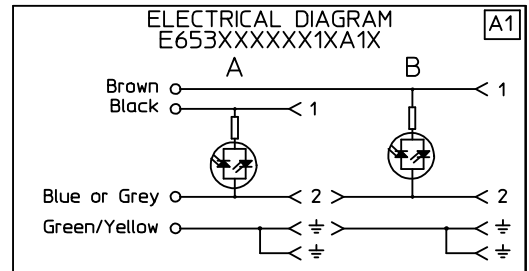
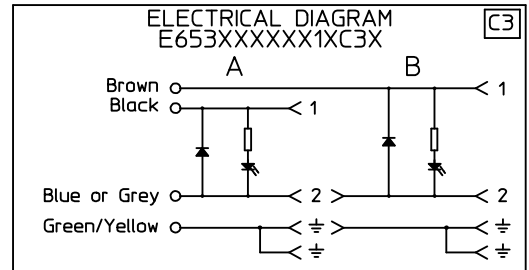
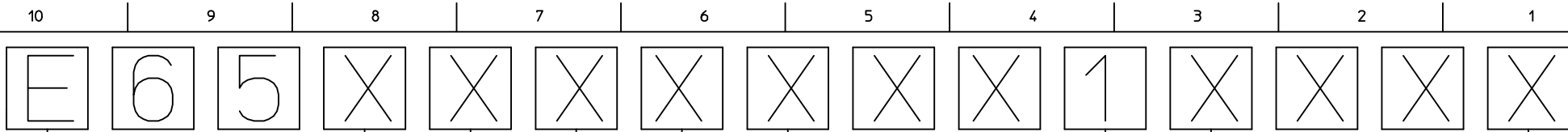


Table of length tolerances [mm]		
Over	Up to and including	Tolerance
0	1000	±20
1000	3000	±30
3000	5000	±40
5000	10000	±50
10000	15000	±100
15000	20000	±150
20000		±L/100

NOTE: Ground on schematics does not apply to E652XXXXXX1XXXX



<p>DRAWING UPDATE EC NO: IPG2013-1505 DRWN: JMARSZALEK 2013/03/28 CHKD: MIWASIECZKO APPR: MIWASIECZKO 2013/04/02</p>	<p>QUALITY SYMBOLS ▽=0 ◻=0</p>	<p>GENERAL TOLERANCES (UNLESS SPECIFIED)</p>		<p>DIMENSION STYLE MM ONLY</p>		SCALE	DESIGN UNITS	<p>FIRST ANGLE PROJECTION</p>
		mm	INCH	DRAWN BY	DATE	TITLE	<p>E65XXXXXX1XXXX DUAL DIN FORM A</p>	
		4 PLACES ± --- ± ---		JMARSZALEK	2013/01/16			
		3 PLACES ± --- ± ---		CHECKED BY	DATE			
2 PLACES ± --- ± ---		MSZWAJKOWSKI	2013/01/16					
1 PLACE ± --- ± ---		APPROVED BY	DATE					
0 PLACE ± --- ± ---		MIWASIECZKO	2013/02/12					
		ANGULAR ± --- °		MATERIAL NO.		DOCUMENT NO.		
DRAFT WHERE APPLICABLE MUST REMAIN WITHIN DIMENSIONS		SEE SHEET 2&3		SD-121055-001		SHEET NO.		
		SIZE A3		THIS DRAWING CONTAINS INFORMATION THAT IS PROPRIETARY TO MOLEX INCORPORATED AND SHOULD NOT BE USED WITHOUT WRITTEN PERMISSION		1 OF 4		



E - Packing without bags
 W - Single packing
 Q - Quick packing

NUMBER OF WIRES:
 2=2 POLES
 3=2 POLES+GROUND

CABLE TYPE
 SEE TABLE 1

CABLE CROSS SECTION AREA
 SEE TABLE 2

HEAD COLOUR:

G=GREY
 N=BLACK
 T=TRANSPARENT
 A=CSA-UL BLACK
 B=CSA-UL GREY

CABLE LENGTH IN CM BETWIN 2 MOULDINGS (L1)
 Eg.:050=50 CM, 300=300 CM, 10K=1000 CM

EARTH PIN LOCATION:

1=DOUBLE EARTH ON 6H AND 12H,

TYPE OF GASKET AND SCREW:

1=NBR PROFILE GASKET + FIXING SCREWS (M3x25 mm).
 2=NBR FLAT GASKET + FIXING SCREW (M3x25 mm).
 3=SILICONE PROFILE GASKET + FIXING SCREW (M3x25 mm).
 4=SILICON FLAT GASKET + FIXING SCREW (M3x25 mm).
 P=INTEGRATED GASKET ASSEMBLED + FIXING SCREW WITH GROMMET ASSEMBLED (M3x27 mm).
 R=INTAGRATED GASKET + FIXING SCREW + GROMMET (M3x27 mm).
 T=PROFILE GASKET + FIXING SCREW + GROMMET (M3x27 mm).

INTERNAL CIRCUIT

WIRING CONFIGURATION

VOLTAGE AND LED COLOUR:

1= 12V	A= 12V	G= 12V
2= 24V	B= 24V	H= 24V
3= 48V	C= 48V	K= 48V
4= 115V	D= 115V	L= 115V
5= 230V	E= 230V	M= 230V

RED LED GREEN LED YELLOW LED

CABLE LENGHT IN METERS (L)

A=1
 B=1,5
 C=2
 D=2,5
 E=3
 F=3,5
 G=4
 H=4,5
 L=5
 M=5,5
 N=6
 P=6,5
 Q=7
 R=7,5
 S=8
 T=8,5
 U=9
 K=10

DRAWING UPDATE EC NO: IPG2013-1505 DRWN: JMARSZALEK 2013/03/28 CHKD: APPR: MIWASIECZKO 2013/04/02	DESCRIPTION REV	QUALITY SYMBOLS	GENERAL TOLERANCES (UNLESS SPECIFIED)	DIMENSION STYLE MM ONLY	SCALE 1:1	DESIGN UNITS METRIC	FIRST ANGLE PROJECTION																															
		=0 =0	<table border="1"> <tr> <th></th> <th>mm</th> <th>INCH</th> </tr> <tr> <td>4 PLACES</td> <td>± ---</td> <td>± ---</td> </tr> <tr> <td>3 PLACES</td> <td>± ---</td> <td>± ---</td> </tr> <tr> <td>2 PLACES</td> <td>± ---</td> <td>± ---</td> </tr> <tr> <td>1 PLACE</td> <td>± ---</td> <td>± ---</td> </tr> <tr> <td>0 PLACE</td> <td>± ---</td> <td>± ---</td> </tr> </table>		mm	INCH	4 PLACES	± ---	± ---	3 PLACES	± ---	± ---	2 PLACES	± ---	± ---	1 PLACE	± ---	± ---	0 PLACE	± ---	± ---	<table border="1"> <tr> <td>DRAWN BY</td> <td>DATE</td> </tr> <tr> <td>JMARSZALEK</td> <td>2013/01/16</td> </tr> <tr> <td>CHECKED BY</td> <td>DATE</td> </tr> <tr> <td>MSZWAJKOWSKI</td> <td>2013/01/16</td> </tr> <tr> <td>APPROVED BY</td> <td>DATE</td> </tr> <tr> <td>MIWASIECZKO</td> <td>2013/02/12</td> </tr> </table>	DRAWN BY	DATE	JMARSZALEK	2013/01/16	CHECKED BY	DATE	MSZWAJKOWSKI	2013/01/16	APPROVED BY	DATE	MIWASIECZKO	2013/02/12	TITLE	E65XXXXXXXX1XXXX DUAL DIN FORM A		
			mm	INCH																																		
		4 PLACES	± ---	± ---																																		
		3 PLACES	± ---	± ---																																		
2 PLACES	± ---	± ---																																				
1 PLACE	± ---	± ---																																				
0 PLACE	± ---	± ---																																				
DRAWN BY	DATE																																					
JMARSZALEK	2013/01/16																																					
CHECKED BY	DATE																																					
MSZWAJKOWSKI	2013/01/16																																					
APPROVED BY	DATE																																					
MIWASIECZKO	2013/02/12																																					
ANGULAR ±---°	SEE SHEET 2&3	MATERIAL NO.	DOCUMENT NO.		SHEET NO.																																	
DRAFT WHERE APPLICABLE MUST REMAIN WITHIN DIMENSIONS	SIZE A3	THIS DRAWING CONTAINS INFORMATION THAT IS PROPRIETARY TO MOLEX INCORPORATED AND SHOULD NOT BE USED WITHOUT WRITTEN PERMISSION																																				

TABLE 2 - CABLES

Mollex PN	mPm	Code	Wires	Cross Section	Material	Color	Diameter Ø	DIN A-B	DIN C
1210180080	I	0	3	1 mm2	PVC CEI 2022 II O.R.	Grey RAL7035	6,4±0,2 mm	OK.	-
1210180467	A	2	2	20 AWG	PVC CSA/UL 2661	Black	5,4±0,2 mm	OK.	OK.
1210180128	A	2	3	20 AWG	PVC CSA/UL 2661	Black	5,6±0,2 mm	OK.	OK.
1210180394	A	2	4	20 AWG	PVC CSA/UL 2661	Black	6,2±0,25 mm	OK.	OK.
-	A	2	5	20 AWG	PVC CSA/UL 2661	Black	7±0,2 mm	OK.	-
1210180297	B	2	2	20 AWG	PUR CSA/UL 20668	Black	5,6±0,2 mm	OK.	OK.
1210180126	B	2	3	20 AWG	PUR CSA/UL 20668	Black	5,6±0,2 mm	OK.	OK.
1210180387	B	2	4	20 AWG	PUR CSA/UL 20668	Black	6,2±0,2 mm	OK.	OK.
-	B	2	5	20 AWG	PUR CSA/UL 20668	Black	7±0,2 mm	OK.	-
1210180122	D	2	3	0,5 mm2	PVC TI2 CEI 20-20	Grey	5,5±0,2 mm	OK.	OK.
-	F	2	3	0,5 mm2	CNOMO	Grey RAL7000	5,5±0,2 mm	OK.	OK.
1210180047	I	2	2	0,5 mm2	PVC CEI 2022 II O.R.	Grey RAL7035	5,5+0,3/-0 mm	OK.	OK.
1210180284	I	2	3	0,5 mm2	PVC CEI 2022 II O.R.	Grey RAL7035	5,6+0,3/-0 mm	OK.	OK.
1210180146	I	2	4	0,5 mm2	PVC CEI 2022 II O.R.	Grey RAL7035	6,5±0,2 mm	OK.	OK.
1210180177	I	2	5	0,5 mm2	PVC CEI 2022 II O.R.	Grey RAL7035	7±0,2 mm	OK.	-
1210180022	N	2	2	0,5 mm2	PVCH03	Black	5,2±0,2 mm	OK.	OK.
1202092753	N	2	3	0,5 mm2	PVCH03	Black	5,5±0,2 mm	OK.	OK.
1210180153	N	2	4	0,5 mm2	PVCH03	Black	6,9 mm max	OK.	OK.
1210180046	P	2	2	0,5 mm2	PUR - BLEND	Black	5,5±0,2 mm	OK.	OK.
1202092439	P	2	3	0,5 mm2	PUR - BLEND	Black	5,5 +0,3/-0 mm	OK.	OK.
1210180302	P	2	4	0,5 mm2	PUR - BLEND	Black	6,5±0,2 mm	OK.	OK.
1202092215	P	2	5	0,5 mm2	PUR - BLEND	Black	7+0,3/-0,1 mm	OK.	OK.
1210180409	A	3	2	18 AWG	PVC CSA/UL 2661	Black	6,5±0,25 mm	OK.	-
1210180129	A	3	3	18 AWG	PVC CSA/UL 2661	Black	6,5±0,25 mm	OK.	-
1210180159	A	3	4	18 AWG	PVC CSA/UL 2661	Black	7±0,3 mm	OK.	-
1210180464	A	3	5	18 AWG	PVC CSA/UL 2661	Black	7,8±0,25 mm	OK.	-
1210180351	B	3	2	18 AWG	PUR CSA/UL 20668	Black	6,8±0,2 mm	OK.	-
1210180127	B	3	3	18 AWG	PUR CSA/UL 20668	Black	6,5±0,2 mm	OK.	-
1210180160	B	3	4	18 AWG	PUR CSA/UL 20668	Black	7±0,2 mm	OK.	-
1210180463	B	3	5	18 AWG	PUR CSA/UL 20668	Black	7,8±0,2 mm	OK.	-
1210180073	D	3	3	0,75 mm2	PVC TI2 CEI 20-20	Grey	6,5±0,2 mm	OK.	OK.
1210180145	D	3	4	0,75 mm2	PVC TI2 CEI 20-20	Grey	7,1±0,2 mm	OK.	-
1202098206	I	3	2	0,75 mm2	PVC CEI 2022 II O.R.	Grey RAL7001	5,5±0,2 mm	OK.	-
1210180120	I	3	3	0,75 mm2	PVC CEI 2022 II O.R.	Grey RAL7035	6±0,2 mm	OK.	-
1210180143	I	3	4	0,75 mm2	PVC CEI 2022 II O.R.	Grey RAL7035	7±0,2 mm	OK.	-
1210180032	N	3	2	0,75 mm2	PVCH05	Black	6,2±0,2 mm	OK.	-
1210180069	N	3	3	0,75 mm2	PVCH05	Black	6,5±0,2 mm	OK.	-
1210180144	N	3	4	0,75 mm2	PVCH05	Black	7,1±0,2 mm	OK.	-
1210180174	N	3	5	0,75 mm2	PVCH05	Black	8,0+0,2-0 mm	OK.	-
1202094190	P	3	2	0,75 mm2	PUR - BLEND	Black	6,5±0,2 mm	OK.	-

TABLE 2 - CABLES

Mollex PN	mPm	Code	Wires	Cross Section	Material	Color	Diameter Ø	DIN A-B	DIN C
1210180071	P	3	3	0,75 mm2	PUR - BLEND	Black	6,5±0,2 mm	OK.	-
1210180152	P	3	4	0,75 mm2	PUR - BLEND	Black	7±0,2 mm	OK.	-
1210180384	R	3	3	0,75 mm2	TPR HAL. FREE	Black	6,5±0,2 mm	OK.	-
1210180094	T	3	3	0,75 mm2	PUR CSA/UL	Yellow	6,5±0,2 mm	OK.	-
1210180309	Y	3	3	0,75 mm2	SIL/0300	Red	6,5±0,2 mm	OK.	-
1210180081	F	4	3	1 mm2	CNOMO	Grey RAL7000	7,1+0,2/-0 mm	OK.	-
-	F	4	4	1 mm2	CNOMO	Grey RAL7000	7,1+0,2/-0 mm	OK.	-
1210180042	I	4	2	1 mm2	PVC CEI 2022 II O.R.	Grey RAL7035	7,1+0,2/-0 mm	OK.	-
1210180079	I	4	3	1 mm2	PVC CEI 2022 II O.R.	Grey RAL7035	7,1+0,2/-0 mm	OK.	-
1210180036	N	4	2	1 mm2	PVCH05	Black	6,5±0,2 mm	OK.	-
1210180082	N	4	3	1 mm2	PVCH05	Black	6,9±0,2 mm	OK.	-
1210180117	R	4	3	1 mm2	TPR HAL. FREE	Black	7,1±0,2 mm	OK.	-
1210180085	N	5	3	1,5 mm2	PVCH05	Black	8,3+0,2/-0 mm	OK.	-
1210180313	I	6	2	0,35 mm2	PVC CEI 2022 II O.R.	Grey RAL7035	4,8±0,2 mm	OK.	-
-	A	7	3	20 AWG	PVC CSA/UL 2661	Yellow	5,6±0,2 mm	OK.	OK.
1210180149	I	9	4	0,75 mm2	PVC CEI 2022 II O.R.	Grey RAL7035	7,3±0,2 mm	OK.	-

TABLE 1 - CABLES TYPE

Code	Cable types	Features	Stranding
N	PVC	Application general purpose cable which has good resistance to water, but usually poor oil resistance.	0,5 mm2 = 15 x 0,20 0,75 mm2 = 21 x 0,20 1 mm2 = 28 x 0,20
I	CEI	Approved to IEC 332-2A, flame retardant and self extinguishing. Limited resistant to mineral oils.	0,5 mm2 = 28 x 0,15 0,75 mm2 = 42 x 0,15 1 mm2 = 32 x 0,20
P	PUR	Offer good resistance to oil and chemicals. Can swell when constantly immersed in water.	0,5 mm2 = 28 x 0,15 0,75 mm2 = 42 x 0,15 1 mm2 = 32 x 0,20
A	PVC CSA-UL	Approved to CSA-UL 2661, application general purpose cable which has good resistance to water, but usually poor oil resistance.	20 AWG = 32 x 0,15 18 AWG = 52 x 0,15
B	PUR CSA-UL	Approved to CSA-UL 20668, very good resistance to oil and chemicals.	20 AWG = 32 x 0,15 18 AWG = 52 x 0,15

DRAWING UPDATE
EC NO: IPG2013-1505
DRWN: JMARSZALEK 2013/03/28
CHKD:
APPR: MIWASIECZKO 2013/04/02

QUALITY SYMBOLS
▽=0
◻=0

GENERAL TOLERANCES (UNLESS SPECIFIED)

	mm	INCH
4 PLACES	± ---	± ---
3 PLACES	± ---	± ---
2 PLACES	± ---	± ---
1 PLACE	± ---	± ---
0 PLACE	± ---	± ---

ANGULAR ± --- °
DRAFT WHERE APPLICABLE MUST REMAIN WITHIN DIMENSIONS

DIMENSION STYLE
MM ONLY

DRAWN BY	DATE
JMARSZALEK	2013/01/16
CHECKED BY	DATE
MSZWAJKOWSKI	2013/01/16
APPROVED BY	DATE
MIWASIECZKO	2013/02/12

MATERIAL NO.
SEE SHEET 2&3

SCALE 1:1
DESIGN UNITS METRIC
FIRST ANGLE PROJECTION

TITLE
E65XXXXXXXX1XXXX
DUAL DIN FORM A

molex

DOCUMENT NO. SD-121055-001
SHEET NO. 3 OF 4

THIS DRAWING CONTAINS INFORMATION THAT IS PROPRIETARY TO MOLEX INCORPORATED AND SHOULD NOT BE USED WITHOUT WRITTEN PERMISSION

