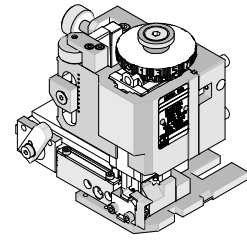




**FineAdjust
Applicator**

**Application Tooling
Specification Sheet**



Order No. 63904-4300

FEATURES

- Directly adapts to most automatic wire processing machines
- Quick punch removal with the push of a button for fast and easy tooling change
- Applicator designed to industry standard mounting and shut height 135.80mm (5.346")
- Quick set-up time; plus the crimp height, track and feed adjustments can be set without removing the applicator from the press
- Fine adjustment allows users to achieve target with little effort by adjusting in increments of .015mm (.0006") for conductor crimp height and .063mm (.0025") for insulation height
- Independent adjustment rings allow users to quickly adjust the conductor or insulation crimp height without affecting each other

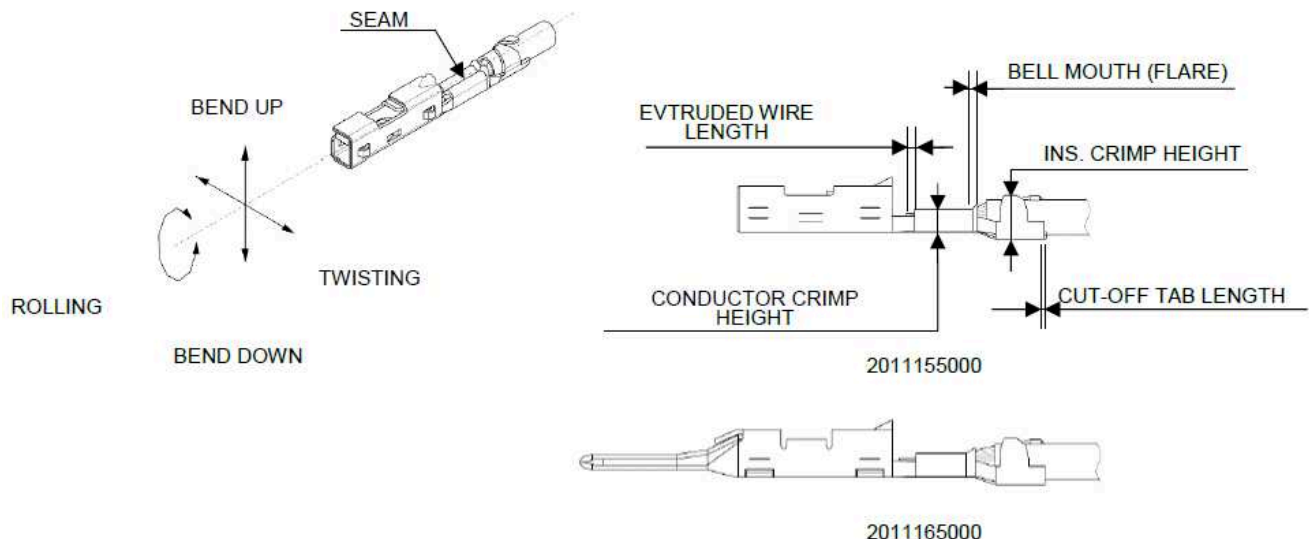
SCOPE

Products: Male and Female 3.3 WTW connector system, 0.3 mm² AVSS – 0.5. mm² AVSS

Terminal Series No.	Terminal Order No.	Wire Size		Insulation Diameter				Strip Length	
				IPC/WHMA-A620 (1)		Terminal (2)			
		AWG	mm ²	mm	In.	mm	In.	mm	In.
201115	201115-5000	NA	0.3	1.35-1.70	.053-.067	1.4	.055	3.3 – 3.7	.130-.145
201116	201116-5000	NA	0.5	1.35-1.70	.053-.067	1.7	.067	3.3 – 3.7	.130-.145

(1) To achieve optimum IPC-A620 insulation crimps, use this insulation OD range.
 (2) Overall insulation OD specification for terminal.

DEFINITION OF TERMS



CRIMP SPECIFICATION

Terminal Series No.	** Bell mouth		Cut-off Tab Maximum		Conductor Brush	
	mm	In.	mm	In.	mm	In.
201115	0.2 – 0.4	.008-.016	0.2	.008	0.1 – 1.0	.004-.040
201116						

** This tool may produce a bell mouth that is up to 0.55mm.

The larger bell mouth reduces terminal bend. This does not affect the integrity of the crimp.

Terminal Series No.	Bend up Bend down		Twist Roll		Punch Width mm (Ref)				Seam
	Degree		Degree		Conductor		Insulation		
					mm	In	mm	In	
201115	3 max.	3 max	3 max.	6 max	1.4	.055	1.9	.075	Seam shall not be open and no wire allowed out of the crimping area
201116									

After crimping, the conductor profile should measure the following.

Terminal Series No.	Wire Size		Conductor				Pull Force Minimum	
	AWG	mm ²	Crimp Height		Crimp Width (Ref)		N	Lb.
			mm	In.	mm	In.		
201115	NA	0.3	0.77 – 0.82	.030-.032	1.35-1.55	.053-.061	39.2	8.8
	NA	0.5	0.83 – 0.91	.032-.036	1.35-1.55	.053-.061	58.8	13.2
201116	NA	0.3	0.77 – 0.82	.030-.032	1.35-1.55	.053-.061	39.2	8.8
	NA	0.5	0.83 – 0.91	.032-.036	1.35-1.55	.053-.061	58.8	13.2

Terminal Series No.	Wire Size		Insulation			
	AWG	mm ²	Crimp Height (Ref.)		Crimp Width (Ref.)	
			mm	In.	mm	In.
201115	NA	0.3	1.6-1.7	.063-.067	1.9	.075
	NA	0.5	1.7-1.8	.067-.071	1.9	.075
201116	NA	0.3	1.6-1.7	.063-.067	1.9	.075
	NA	0.5	1.7-1.8	.067-.071	1.9	.075

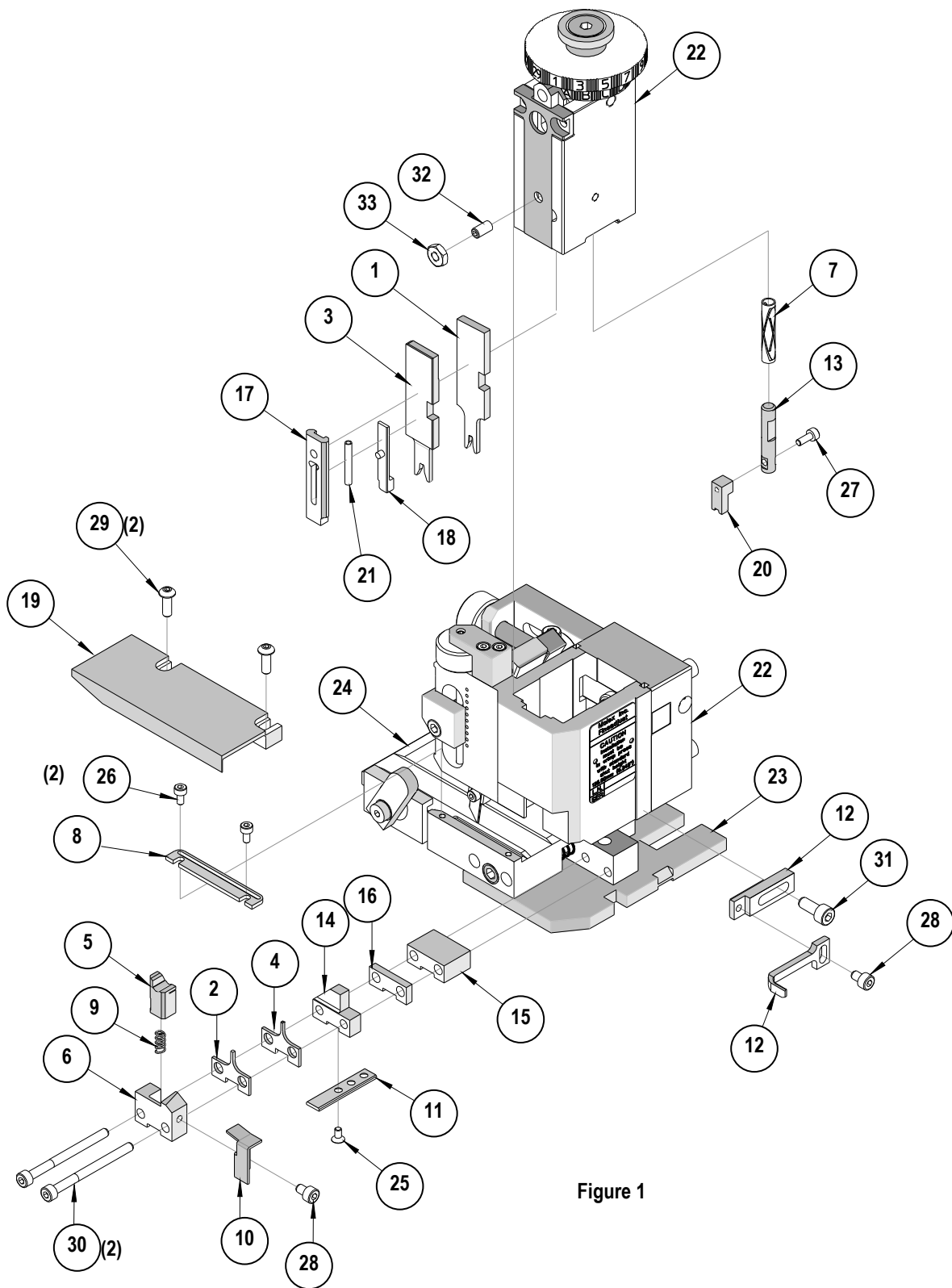
Tool Qualification Notes:

1. Pull Force should be measured with no influence from the insulation crimp.
2. The above specifications are guidelines to an optimum crimp.

PARTS LIST

FineAdjust Applicator 63904-4300				
Item	Order No	Engineering No.	Description	Quantity
Perishable Tooling				
	63904-4370	63904-4370	Tool Kit (All "Y" Items)	REF
1	63444-1425	63444-1425	Conductor Punch	1 Y
2	63445-1456	63445-1456	Conductor Anvil	1 Y
3	63454-0003	63454-0003	Insulation Punch	1 Y
4	63445-1947	63445-1947	Insulation Anvil	1 Y
5	63443-0005	63443-0005	Cut-Off Plunger Front	1 Y
6	63443-0012	63443-0012	Plunger Retainer Front	1 Y
Other Components				
7	11-17-0022	1739-21	Hold-Down Spring	1
8	11-18-4083	60707-8	Front Cover	1
9	11-24-1067	4996-4	Cut-off Plunger Spring	1
10	63443-0009	63443-0009	Scrap Chute Front	1
11	63443-0024	63443-0024	Lower Tooling Key	1
12	63443-0090	63443-0090	Wire Stop	1
13	63443-0093	63443-0093	Shank	1
14	63443-1717	63443-1717	Height Spacer	1
15	63443-2215	63443-2215	Coarse Spacer	1
16	63443-2310	63443-2310	Fine Spacer	1
17	63443-2803	63443-2803	Plunger Striker Front	1
18	63443-2911	63443-2911	Wire Hold-Down Plunger	1
19	63443-6113	63443-6113	Rear Cover	1
20	63443-7134	63443-7134	Terminal Hold-Down	1
21	63600-1057	63600-1057	Wire Hold-Down Spring	1
Frame				
22	63800-4901	63800-4901	Top	1
23	63801-3281	63801-3281	Base	1
24	63801-4650	63801-4650	Track	1
Hardware				
25	N/A	N/A	M3 by 6 Long FHCS	1**
26	N/A	N/A	M3 by 6 Long SHCS	2**
27	N/A	N/A	M3 by 8 Long SHCS	1**
28	N/A	N/A	M4 by 6 Long SHCS	2**
29	N/A	N/A	M4 by 12 Long BHCS	2**
30	N/A	N/A	M4 by 50 Long SHCS	2**
31	N/A	N/A	M5 by 12 Long SHCS	1**
32	N/A	N/A	#10-32 by 3/8" Long Flat Point SSS	1**
33	N/A	N/A	#10-32 Hex Jam Nut	1**
** Available from an industrial supply company such as MSC (1-800-645-7270).				

Assembly Drawing



NOTES

1. Molex recommends an extra perishable tooling kit be maintained at your facility.
2. Verify tooling alignment by manually cycling the press and Applicator before crimping under power. Check that all screws are tight.
3. Slugs, Terminals, Dirt and Oil should be kept clear of work area.
4. Wear safety glasses at all times.
5. For recommended maintenance refer to the FineAdjust Manual.

CAUTION: This applicator should only be used in a press with a shut height of 135.8mm (5.346"). Tooling damage could result at a lower setting.

CAUTION: To prevent injury never operate this Applicator without the guards supplied with the press or wire-processing machine in place. Reference the press or wire processing manufacturer's instruction manual.

CAUTION: Molex crimp specifications are valid only when used with Molex terminals, applicators and tooling.

Visit our Web site at <http://www.molex.com>