

TLV8xxxEVM-019 Evaluation Modules

This user's guide describes the characteristics, operation, and use of the TLV809K (TLV809KEVM-019), TLV810S (TLV810SEVM-019), and TLV803S (TLV803SEVM-019) evaluation modules (EVM). The TLV8xxxEVM is a fully assembled and tested platform for evaluating the performance of the TLV8xxx family of supervisory circuits. The TLV809K, TLV810S, and TLV803S are single channel, 3-pin, 3.3-V supply voltage supervisors (SVS) with built-in power-on reset generator with fixed delay time of 200ms. This user's guide includes setup configuration instructions, a complete schematic diagram, bill of materials (BOM), and printed circuit board (PCB) layout drawings for the evaluation module.

Contents

1	Introduction	1
2	Schematic	2
3	Setup and Board Description	2
4	Operation	3
5	Board Layout	4
6	Bill of Materials	7

List of Figures

1	TLV8xxxEVM Rev A Schematic	2
2	Quick Start Connection Setup	3
3	Timing Diagram for TLV8xxxEVM	4
4	Silkscreen Layer	5
5	Assembly Layer	5
6	Top Layer Routing	6
7	Bottom Layer Routing	6

List of Tables

1	Threshold voltage, V_{IT} , Values for Each TLV8xxxEVM	4
2	Bill of Materials	7
3	Assembly Number and Corresponding Label Text	7

1 Introduction

The TLV8xxxEVM helps designers evaluate the operation and performance of the TLV8xxx family of single channel supervisors in a 3-pin SOT-23 package. This particular EVM configuration contains a single SVS capable of supervising up to 6-V supply voltage. The TLV8xxx EVM is assembled with the TLV809K, TLV810S, or TLV803S, all of which are 3.3-V supply voltage supervisors with threshold voltage, V_{IT} , of 2.93-V. To evaluate the TLV8xxx EVM with a different supply voltage, the IC will need to be replaced. The TLV8xxx family of supervisory circuits provides initialization and timing supervision, primarily for DSPs and processor-based systems; and, is available for supply voltages of 2.5-V, 3.0-V, 3.3-V, and 5.0-V.

1.1 Features

- Low supply current: 9 μ A (typical)
- Power-on RESET / $\overline{\text{RESET}}$ generator with fixed delay time of 200ms

1.2 Orderable Options

- TLV809KEVM-019: 3.3-V single channel supervisor with active low, push-pull $\overline{\text{RESET}}$ output
- TLV810SEVM-019: 3.3-V single channel supervisor with active high, push-pull RESET output
- TLV803SEVM-019: 3.3-V single channel supervisor with active low, open-drain $\overline{\text{RESET}}$ output

2 Schematic

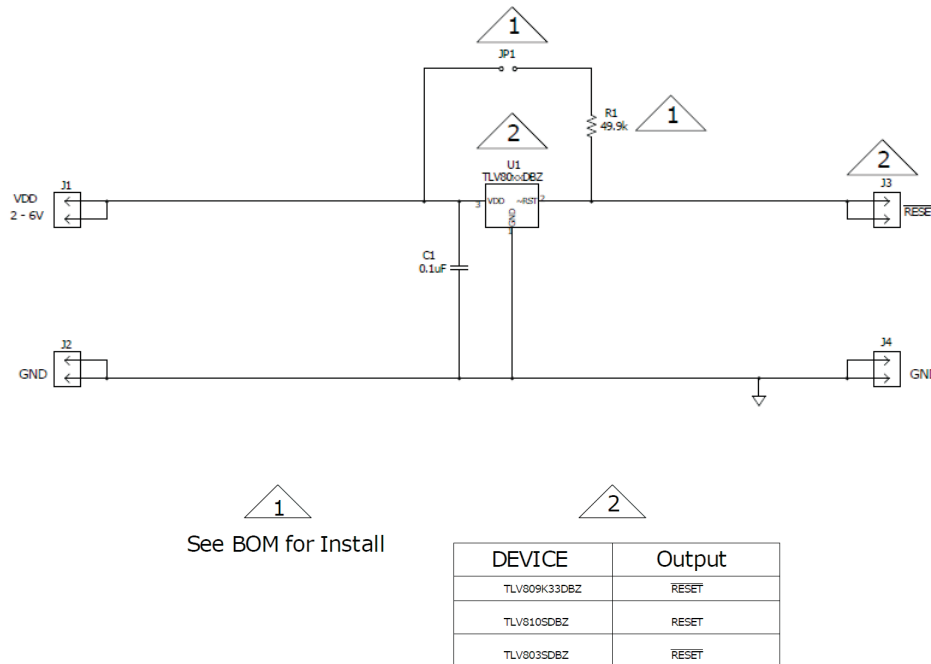


Figure 1. TLV8xxxEVM Rev A Schematic

3 Setup and Board Description

3.1 EVM Input/Output Connectors and Test Jumpers

Connector	Label	Description
J1	VDD	Input power supply connection: 2V to 6V
J2	GND	Return connection for input power supply
J3	RESET $\overline{\text{RESET}}$	RESET / $\overline{\text{RESET}}$ output of supervisor IC. Connect this output to a multimeter or oscilloscope to verify output voltage.
J4	GND	Return connection for output (RESET / $\overline{\text{RESET}}$)
JP1	Pull-Up	Necessary for TLV803SEVM-019 only. Placing a jumper on JP1 connects the 49.9k Ω (R1) pull-up resistor to VDD and RESET output.

3.2 Connection Setup

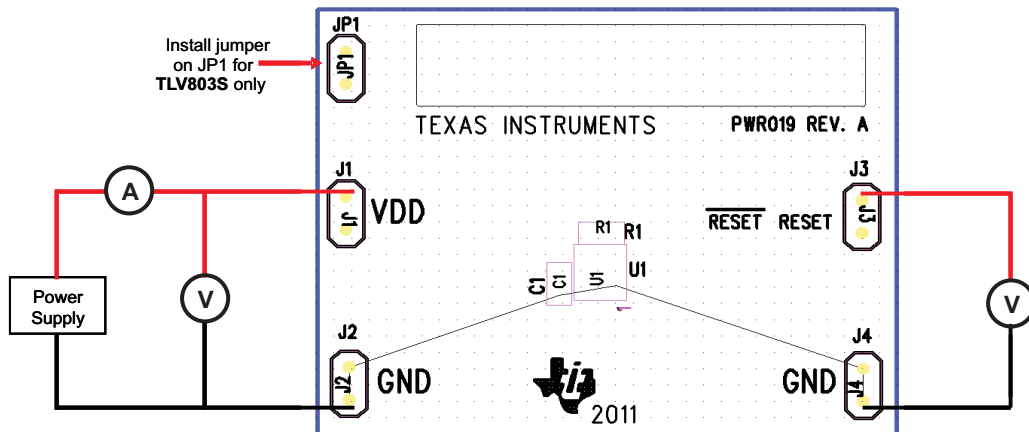


Figure 2. Quick Start Connection Setup

1. Connect the power supply and its return connection to J1 and J2 as shown above.
2. An ammeter can be connected in series with the power supply to measure the supply current. A voltmeter can also be connected across J1 and J2 to measure the effective voltage at the pins.
3. Connect a voltmeter or an oscilloscope voltage probe across the output pins J3 and J4 to observe and measure the output voltage.

NOTE: For TLV803SEVM-019, please verify that jumper on JP1 is present so that pull-up resistor R1 is connected to VDD and to $\overline{\text{RESET}}$. If an output voltage different from VDD is desired, a power supply can be connected to JP1 to pull the $\overline{\text{RESET}}$ pin to a different voltage.

4 Operation

This section provides information about the operation of the TLV8xxxEVM and the outputs expected. The TLV8xxx parts can support supply voltage, V_{DD} , in the range of 2-V to 6-V. No external components are required. All the devices in this family have a fixed sense-threshold voltage (V_{IT}) set by an internal voltage divider.

4.1 Threshold Voltage, V_{IT}

During power-on, $\overline{\text{RESET}}$ / $\overline{\text{RESET}}$ is asserted when the supply voltage (V_{DD}) becomes higher than 1.1-V. Thereafter, for active low devices, the supervisory circuit monitors V_{DD} and keeps $\overline{\text{RESET}}$ active as long as V_{DD} remains below the threshold voltage, V_{IT} . For active high devices, the supervisory circuit keeps $\overline{\text{RESET}}$ active as long as V_{DD} remains above the threshold voltage, V_{IT} .

TLV809K and TLV803S (active low $\overline{\text{RESET}}$ output):

- When $V_{DD} < V_{IT}$, the output across the $\overline{\text{RESET}}$ pins J3 and J4 should be 0-V (low).
- When $V_{DD} > V_{IT}$, the output across the $\overline{\text{RESET}}$ pins J3 and J4 should equal $V_{DD} \pm 0.5\text{-V}$ (high) with no load.

TLV810S (active high $\overline{\text{RESET}}$ output):

- When $V_{DD} < V_{IT}$, the output across the $\overline{\text{RESET}}$ pins J3 and J4 should equal $V_{DD} \pm 0.5\text{-V}$ (high) with no load.
- When $V_{DD} > V_{IT}$, the output across the $\overline{\text{RESET}}$ pins J3 and J4 should be 0-V (low).

Table 1. Threshold voltage, V_{IT} , Values for Each TLV8xxxEVM

Part	V_{IT} ⁽¹⁾		
	Min (V)	Typ (V)	Max (V)
TLV809K	2.87	2.93	2.99
TLV810S	2.87	2.93	2.99
TLV803S	2.87	2.93	2.99

⁽¹⁾ V_{IT} values taken from datasheet.

4.2 Timing

The TLV8xxx parts have a reset generator with a fixed delay time. An internal timer delays the return of the output to the inactive state (high) to ensure proper system reset. The delay time ($t_{d(typ)} = 200ms$) starts after V_{DD} has risen above the threshold voltage, V_{IT} . When the supply voltage, V_{DD} , drops below the V_{IT} voltage, the output becomes active (low) again. Min and max values for t_d can be found in the datasheet, labeled Switching Characteristics.

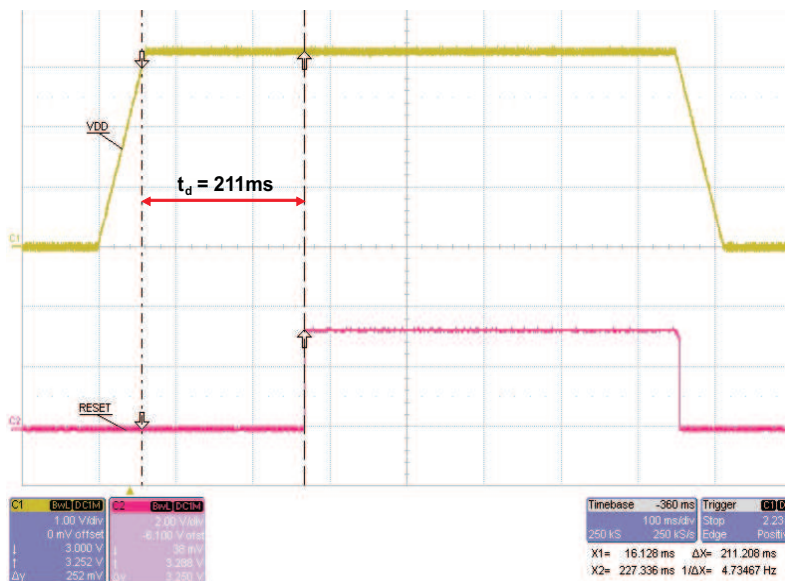


Figure 3. Timing Diagram for TLV8xxxEVM

5 Board Layout

This section provides the TLV8xxxEVM board layout and illustrations.

5.1 Layout

NOTE: Board layouts are not to scale. These figures are intended to show how the board is laid out; they are not intended to be used for manufacturing TLV8xxx EVM PCBs.

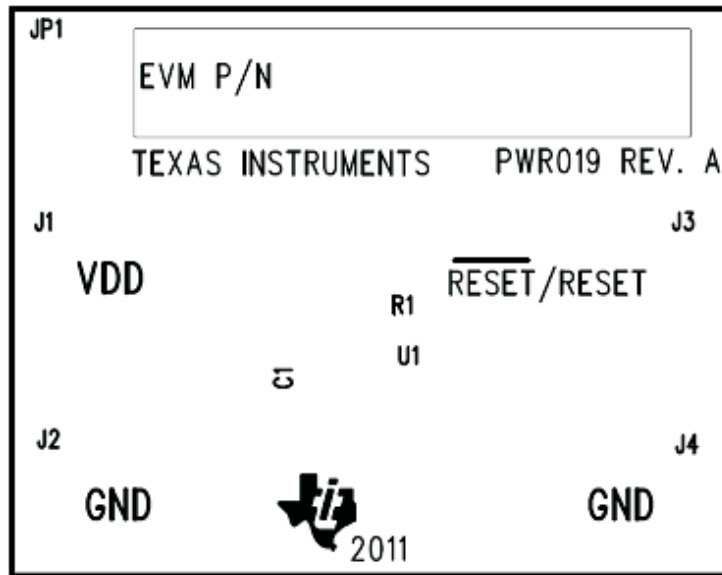


Figure 4. Silkscreen Layer

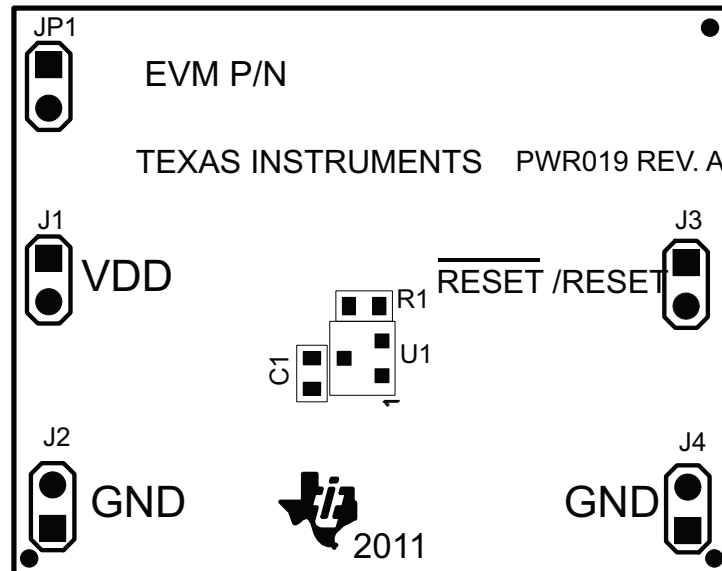


Figure 5. Assembly Layer

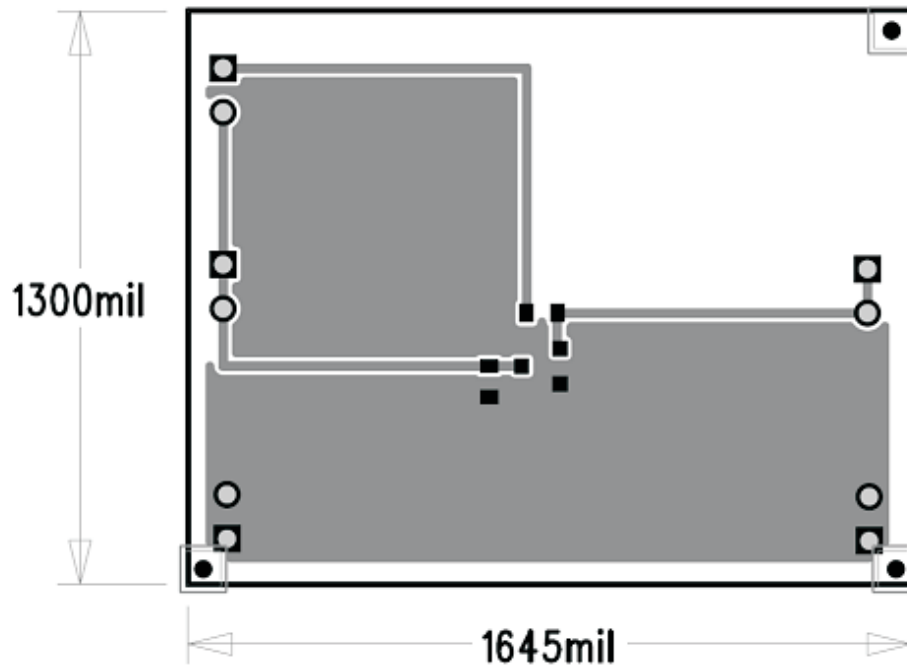


Figure 6. Top Layer Routing



Figure 7. Bottom Layer Routing

6 Bill of Materials

Table 2. Bill of Materials

PWR019-001	PWR019-002	PWR019-003						
COUNT	COUNT	COUNT	RefDes	Value	Description	Size	Part Number	MFR
1	1	1	C1	0.1uF	Capacitor, Ceramic, 10V, X7R, 20%	0603	STD	STD
4	4	4	J1, J2, J3, J4	PEC02SAAN	Header, Male 2-pin, 100mil spacing	0.100 inch x 2	PEC02SAAN	Sullins
0	0	1	JP1	PEC02SAAN	Header, Male 2-pin, 100mil spacing	0.100 inch x 2	PEC02SAAN	Sullins
0	0	1	R1	49.9k	Resistor, Chip, 1/16W, 1%	0603	STD	STD
1	0	0	U1	TLV809KDBZ	IC, Voltage Supervisors with Active-Low, Push-Pull RESET	SOT23-3	TLV809K33DBZ	TI
0	1	0	U1	TLV810SDBZ	IC, Voltage Supervisors with Active-High, Push-Pull RESET	SOT23-3	TLV810SDBZ	TI
0	0	1	U1	TLV803SDBZ	IC, Voltage Supervisors with Active-Low, Open-Drain RESET	SOT23-3	TLV803SDBZ	TI
0	0	1	–		Shunt, 100-mil, Black	0.1	929950-00	3M
1	1	1	–		Label	1.25 x 0.25 inch	THT-13-457-10	Brady
1	1	1	–	PWR019	1.645 x 1.300 x 0.062 inch 2 layer 2oz. PCB	1.645 inch x 1.300 inch	PWR019	Any

- Notes 1. These assemblies are ESD sensitive, ESD precautions shall be observed.
2. These assemblies must be clean and free from flux and all contaminants. Use of no clean flux is not acceptable.
3. These assemblies must comply with workmanship standards IPC-A-610 Class 2.
4. Ref designators marked with an asterisk (***) cannot be substituted. All other components can be substituted with equivalent MFG's components.
5. Install label after final wash. Text shall be 8 pt font. Text shall be per [Table 3](#).

Table 3. Assembly Number and Corresponding Label Text

Assembly Number	Text
PWR019-001	TLV809KEVM-019
PWR019-002	TLV810SEVM-019
PWR019-003	TLV803SEVM-019

Evaluation Board/Kit Important Notice

Texas Instruments (TI) provides the enclosed product(s) under the following conditions:

This evaluation board/kit is intended for use for **ENGINEERING DEVELOPMENT, DEMONSTRATION, OR EVALUATION PURPOSES ONLY** and is not considered by TI to be a finished end-product fit for general consumer use. Persons handling the product(s) must have electronics training and observe good engineering practice standards. As such, the goods being provided are not intended to be complete in terms of required design-, marketing-, and/or manufacturing-related protective considerations, including product safety and environmental measures typically found in end products that incorporate such semiconductor components or circuit boards. This evaluation board/kit does not fall within the scope of the European Union directives regarding electromagnetic compatibility, restricted substances (RoHS), recycling (WEEE), FCC, CE or UL, and therefore may not meet the technical requirements of these directives or other related directives.

Should this evaluation board/kit not meet the specifications indicated in the User's Guide, the board/kit may be returned within 30 days from the date of delivery for a full refund. **THE FOREGOING WARRANTY IS THE EXCLUSIVE WARRANTY MADE BY SELLER TO BUYER AND IS IN LIEU OF ALL OTHER WARRANTIES, EXPRESSED, IMPLIED, OR STATUTORY, INCLUDING ANY WARRANTY OF MERCHANTABILITY OR FITNESS FOR ANY PARTICULAR PURPOSE.**

The user assumes all responsibility and liability for proper and safe handling of the goods. Further, the user indemnifies TI from all claims arising from the handling or use of the goods. Due to the open construction of the product, it is the user's responsibility to take any and all appropriate precautions with regard to electrostatic discharge.

EXCEPT TO THE EXTENT OF THE INDEMNITY SET FORTH ABOVE, NEITHER PARTY SHALL BE LIABLE TO THE OTHER FOR ANY INDIRECT, SPECIAL, INCIDENTAL, OR CONSEQUENTIAL DAMAGES.

TI currently deals with a variety of customers for products, and therefore our arrangement with the user **is not exclusive.**

TI assumes **no liability for applications assistance, customer product design, software performance, or infringement of patents or services described herein.**

Please read the User's Guide and, specifically, the Warnings and Restrictions notice in the User's Guide prior to handling the product. This notice contains important safety information about temperatures and voltages. For additional information on TI's environmental and/or safety programs, please contact the TI application engineer or visit www.ti.com/esh.

No license is granted under any patent right or other intellectual property right of TI covering or relating to any machine, process, or combination in which such TI products or services might be or are used.

FCC Warning

This evaluation board/kit is intended for use for **ENGINEERING DEVELOPMENT, DEMONSTRATION, OR EVALUATION PURPOSES ONLY** and is not considered by TI to be a finished end-product fit for general consumer use. It generates, uses, and can radiate radio frequency energy and has not been tested for compliance with the limits of computing devices pursuant to part 15 of FCC rules, which are designed to provide reasonable protection against radio frequency interference. Operation of this equipment in other environments may cause interference with radio communications, in which case the user at his own expense will be required to take whatever measures may be required to correct this interference.

EVM Warnings and Restrictions

It is important to operate this EVM within the input voltage range of 2 V to 6 V and the output voltage range of 0 V to 6 V .

Exceeding the specified input range may cause unexpected operation and/or irreversible damage to the EVM. If there are questions concerning the input range, please contact a TI field representative prior to connecting the input power.

Applying loads outside of the specified output range may result in unintended operation and/or possible permanent damage to the EVM. Please consult the EVM User's Guide prior to connecting any load to the EVM output. If there is uncertainty as to the load specification, please contact a TI field representative.

During normal operation, some circuit components may have case temperatures greater than 85° C. The EVM is designed to operate properly with certain components above 85° C as long as the input and output ranges are maintained. These components include but are not limited to linear regulators, switching transistors, pass transistors, and current sense resistors. These types of devices can be identified using the EVM schematic located in the EVM User's Guide. When placing measurement probes near these devices during operation, please be aware that these devices may be very warm to the touch.

Mailing Address: Texas Instruments, Post Office Box 655303, Dallas, Texas 75265
Copyright © 2011, Texas Instruments Incorporated

IMPORTANT NOTICE

Texas Instruments Incorporated and its subsidiaries (TI) reserve the right to make corrections, modifications, enhancements, improvements, and other changes to its products and services at any time and to discontinue any product or service without notice. Customers should obtain the latest relevant information before placing orders and should verify that such information is current and complete. All products are sold subject to TI's terms and conditions of sale supplied at the time of order acknowledgment.

TI warrants performance of its hardware products to the specifications applicable at the time of sale in accordance with TI's standard warranty. Testing and other quality control techniques are used to the extent TI deems necessary to support this warranty. Except where mandated by government requirements, testing of all parameters of each product is not necessarily performed.

TI assumes no liability for applications assistance or customer product design. Customers are responsible for their products and applications using TI components. To minimize the risks associated with customer products and applications, customers should provide adequate design and operating safeguards.

TI does not warrant or represent that any license, either express or implied, is granted under any TI patent right, copyright, mask work right, or other TI intellectual property right relating to any combination, machine, or process in which TI products or services are used. Information published by TI regarding third-party products or services does not constitute a license from TI to use such products or services or a warranty or endorsement thereof. Use of such information may require a license from a third party under the patents or other intellectual property of the third party, or a license from TI under the patents or other intellectual property of TI.

Reproduction of TI information in TI data books or data sheets is permissible only if reproduction is without alteration and is accompanied by all associated warranties, conditions, limitations, and notices. Reproduction of this information with alteration is an unfair and deceptive business practice. TI is not responsible or liable for such altered documentation. Information of third parties may be subject to additional restrictions.

Resale of TI products or services with statements different from or beyond the parameters stated by TI for that product or service voids all express and any implied warranties for the associated TI product or service and is an unfair and deceptive business practice. TI is not responsible or liable for any such statements.

TI products are not authorized for use in safety-critical applications (such as life support) where a failure of the TI product would reasonably be expected to cause severe personal injury or death, unless officers of the parties have executed an agreement specifically governing such use. Buyers represent that they have all necessary expertise in the safety and regulatory ramifications of their applications, and acknowledge and agree that they are solely responsible for all legal, regulatory and safety-related requirements concerning their products and any use of TI products in such safety-critical applications, notwithstanding any applications-related information or support that may be provided by TI. Further, Buyers must fully indemnify TI and its representatives against any damages arising out of the use of TI products in such safety-critical applications.

TI products are neither designed nor intended for use in military/aerospace applications or environments unless the TI products are specifically designated by TI as military-grade or "enhanced plastic." Only products designated by TI as military-grade meet military specifications. Buyers acknowledge and agree that any such use of TI products which TI has not designated as military-grade is solely at the Buyer's risk, and that they are solely responsible for compliance with all legal and regulatory requirements in connection with such use.

TI products are neither designed nor intended for use in automotive applications or environments unless the specific TI products are designated by TI as compliant with ISO/TS 16949 requirements. Buyers acknowledge and agree that, if they use any non-designated products in automotive applications, TI will not be responsible for any failure to meet such requirements.

Following are URLs where you can obtain information on other Texas Instruments products and application solutions:

Products

Audio	www.ti.com/audio
Amplifiers	amplifier.ti.com
Data Converters	dataconverter.ti.com
DLP® Products	www.dlp.com
DSP	dsp.ti.com
Clocks and Timers	www.ti.com/clocks
Interface	interface.ti.com
Logic	logic.ti.com
Power Mgmt	power.ti.com
Microcontrollers	microcontroller.ti.com
RFID	www.ti-rfid.com
RF/IF and ZigBee® Solutions	www.ti.com/lprf

Applications

Communications and Telecom	www.ti.com/communications
Computers and Peripherals	www.ti.com/computers
Consumer Electronics	www.ti.com/consumer-apps
Energy and Lighting	www.ti.com/energy
Industrial	www.ti.com/industrial
Medical	www.ti.com/medical
Security	www.ti.com/security
Space, Avionics and Defense	www.ti.com/space-avionics-defense
Transportation and Automotive	www.ti.com/automotive
Video and Imaging	www.ti.com/video
Wireless	www.ti.com/wireless-apps

TI E2E Community Home Page

e2e.ti.com

Mailing Address: Texas Instruments, Post Office Box 655303, Dallas, Texas 75265
Copyright © 2011, Texas Instruments Incorporated