

## 54-900

---

### Features:

- Nickel-Plated Steel
- Fits 15/32" [.466 (11.91mm)] Bushing

## Hardware, Indicator Plate



## 54-901

---

### Features:

- Nickel-Plated Steel
- Fits 15/32" [.469 (11.91mm)] Bushing

## Hardware, Indicator Plate



## 54-902

---

### Features:

- Nickel-Plated Steel
- Fits 15/32" [.469 (11.81)] Bushing

## Hardware, Indicator Plate



## 54-903

---

## Hardware, Indicator Plate

### Features:

- Grade 430 Stainless Steel
- Fits 15/32" [.469 (11.91)] Bushing

## Hardware, Indicator Plate

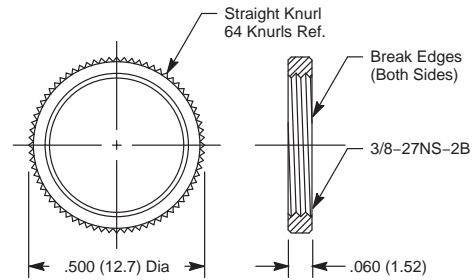


## 54-904

### Features:

- Bright Nickel Plating
- 3/8-27NS-2B Thread

## Hardware, Brass Facenut

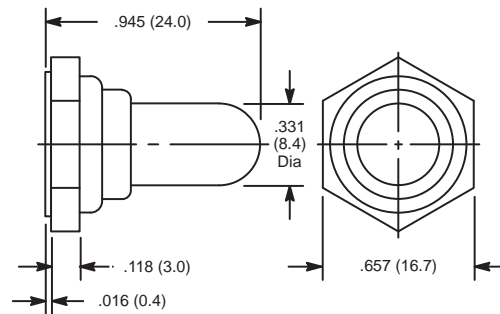


## 54-905, 54-905M

### Features:

- For Bat Handle Toggle Switch
- Available in 2 Thread Types:  
15/32-32 UNS-2A Thread (54-905)  
M12\*0.75 Thread (54-905M)

## Hardware, Rubber Boot

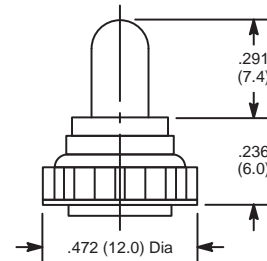


## 54-906

### Features:

- For Mini Toggle Switch
- 1/4-40 Thread
- Contains "O"-Ring Seal

## Hardware, Rubber Boot/Knob

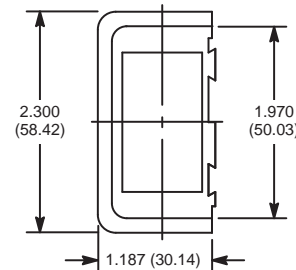


## 54-910

### Features:

- End Section
- For Automotive/Marine Types
- Black Color

## Hardware, Mounting Panel

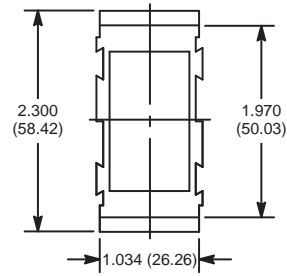


## 54-911

### Features:

- Middle Section
- For Automotive/Marine Types
- Black Color

## Hardware, Mounting Panel

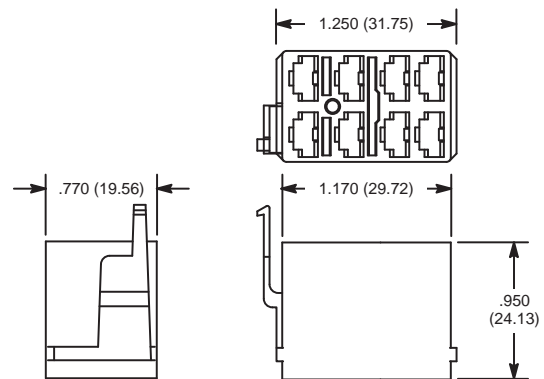


## 54-912

### Features:

- For Automotive/Marine Types

## Hardware, Connector Housing

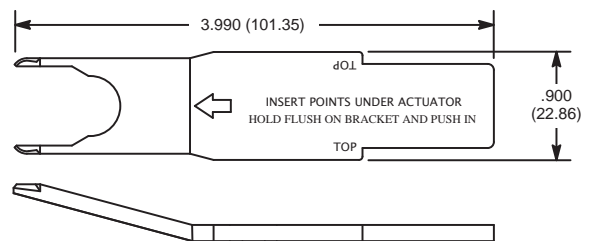


## 54-913

### Features:

- For Automotive/Marine Types
- For Flush Bracket

## Hardware, Actuator Removal Tool

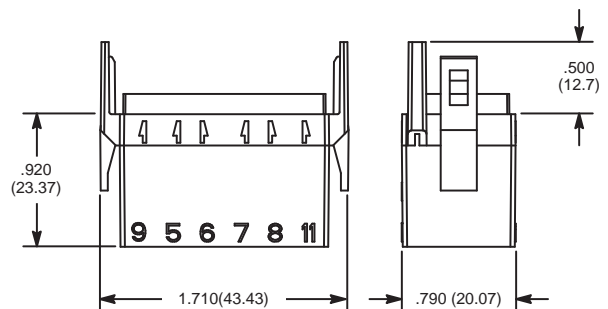


## 54-914

### Features:

- .250" Tab
- Black Color

## Hardware, Connector



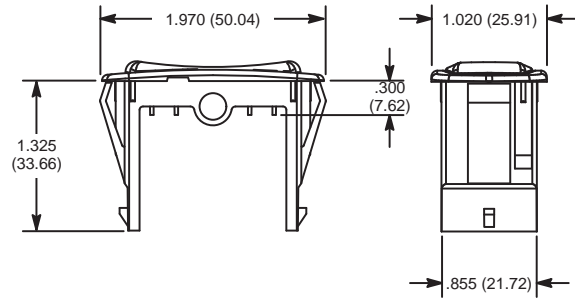
# Accessories

## 54-915

### Features:

- For Automotive/Marine Types
- With Non-Serrated Wings

## Hardware, Removable Hole Plug

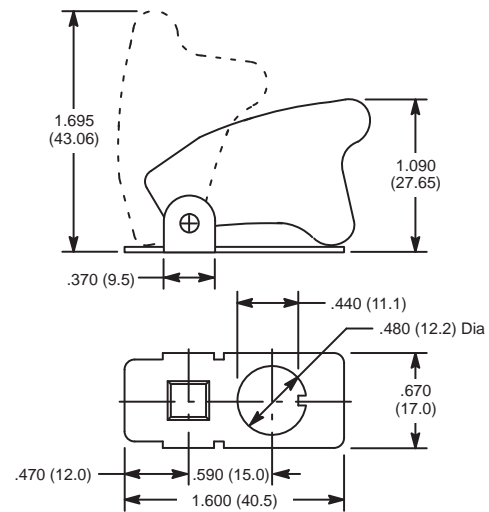


## 54-920, 54-921, 54-922, 54-923

### Features:

- For Toggle Switch w/12mm (15/32") Mounting Hole
- Accepts Standard 17.5mm (11/16") Switch Handles
- Available in 4 Colors:
  - 54-920 (Red)
  - 54-921 (Red Metallic)
  - 54-922 (Blue Metallic)
  - 54-923 (Silver Metallic)

## Hardware, Safety Cover



## 54-925

### Features:

- Nickel-Plated Steel
- Fits 15/32" [.466 (11.91mm)] Bushing
- For use with 54-727 Switch

## Hardware, Indicator Plate



## 54-926

### Features:

- Nickel-Plated Steel
- Fits 15/32" [.466 (11.91mm)] Bushing
- For use with 54-728 Switch

## Hardware, Indicator Plate



## 54-927

## Hardware, Indicator Plate

### Features:

- Nickel-Plated Steel
- Fits 15/32" [.466 (11.91mm)] Bushing
- For use with 54-729 & 54-730 Switches



## 54-928

## Hardware, Indicator Plate

### Features:

- Nickel-Plated Steel
- Fits 15/32" [.466 (11.91mm)] Bushing
- For use with 54-722 Switch



## 54-929

## Hardware, Watertight Boot

### Features:

- M12\*0.75 Thread
- Contains "O"-Ring Seal
- For use with 54-722 Switch

