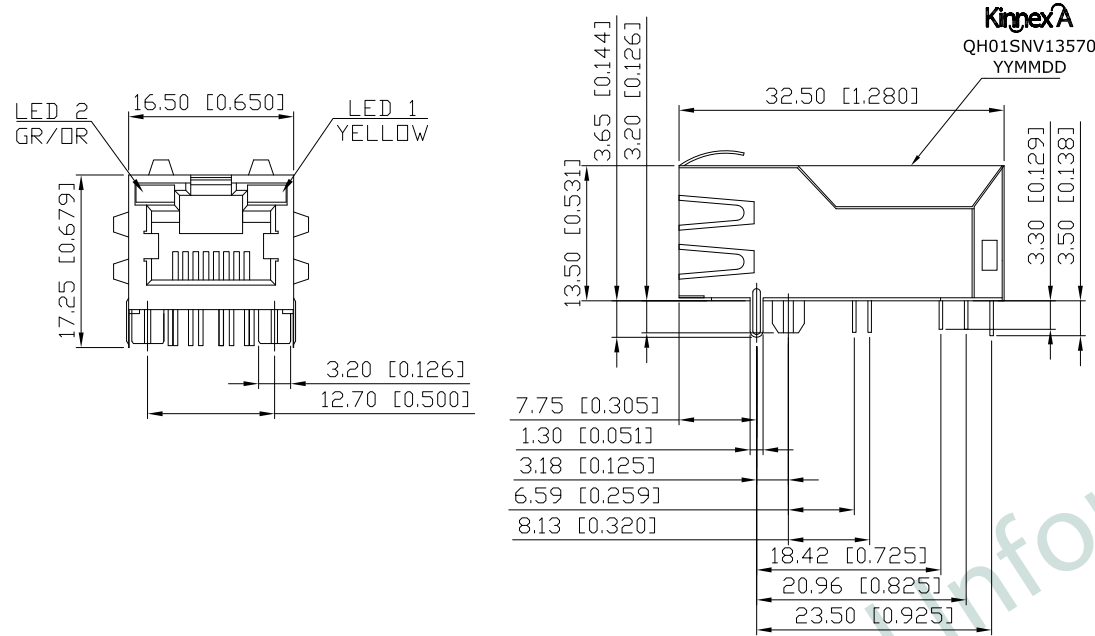


1. MECHANICAL DIMENSIONS :

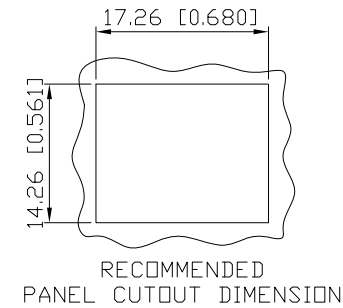
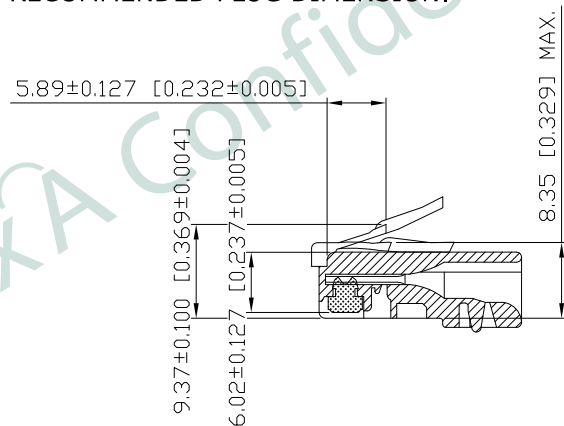
REV.	DATE	DESCRIPTION
01	Jan. 17, '18	1st RELEASE

NOTES:

- MATERIAL:
HOUSING: HIGH THERMOPLASTIC, UL94V-0, COLOR-BLACK
CONTACTS: T=0.35mm PHOS-BRONZE,
6u" GOLD PLATING ON CONTACT AREA,
NICKEL UNDERPLATING OVERALL
SHIELD: COPPER ALLOY, NICKEL PLATING
- OPERATING TEMPERATURE: 0°C~+70°C
- INSERTION FORCE: 4 POUNDS MAX.
EXTRACTION FORCE: 4 POUNDS MAX.
- DURABILITY: 750 MATING CYCLED MIN.
- CAVITY CONFORMS TO FCC RULES AND REGULATIONS PART 68,
SUBPART F.
- UNSPECIFIED TOLERANCE: .XX ±0.25[0.010]
.X ±0.30[0.012]

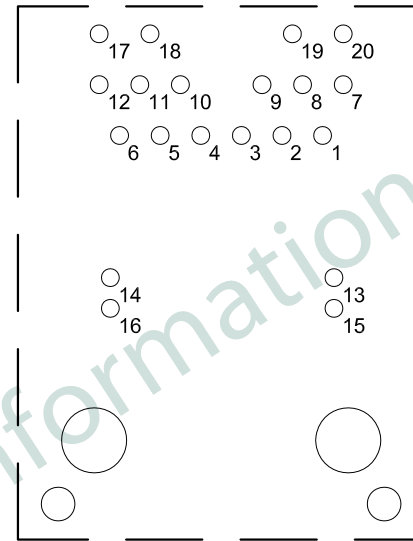
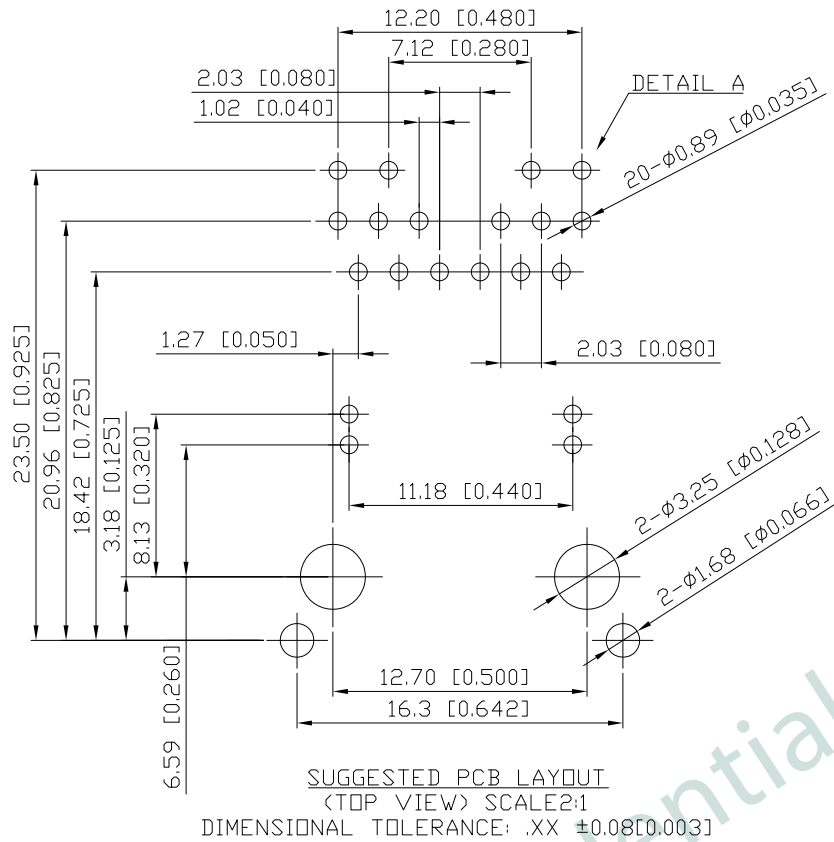


RECOMMENDED PLUG DIMENSION:



PART NO		KQH-01S-N-V13-570		
TITLE	RJ45, W/1G TRANSFORMER AND PoE+, W/LED, SHIELDED			
REV : 01				
UNIT	DRAWN	CHKD	DATE	SHEET
mm[inch]	CINDY	DANIEL	Jan. 17, '18	1 of 5

2. PCB LAYOUT :



DETAIL A

P#	DEFINITION
P1	CT
P2	MD<2>-
P3	MD<2>+
P4	MD<1>+
P5	MD<1>-
P6	CT
P7	CT
P8	MD<3>+
P9	MD<3>-
P10	MD<0>-
P11	MD<0>+
P12	CT
P13	VC+
P14	VC-
P15	VC+
P16	VC-
P17	LEFT GR+
P18	LEFT DR+
P19	RIGHT YE+
P20	RIGHT YE-

KQH-01S-N-V13-570

PRODUCT SERIES
KQH: LATCH UP FOR PoE+ TYPE

MECHANICAL TYPE
01S: KQH 1 PORT,
LENGTH=32.5mm
LED COLOR OPTION

CIRCUIT TYPE

SPECIAL CODE
0: STANDARD

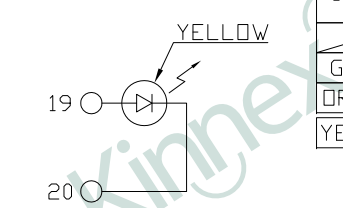
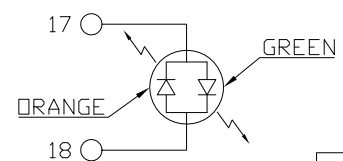
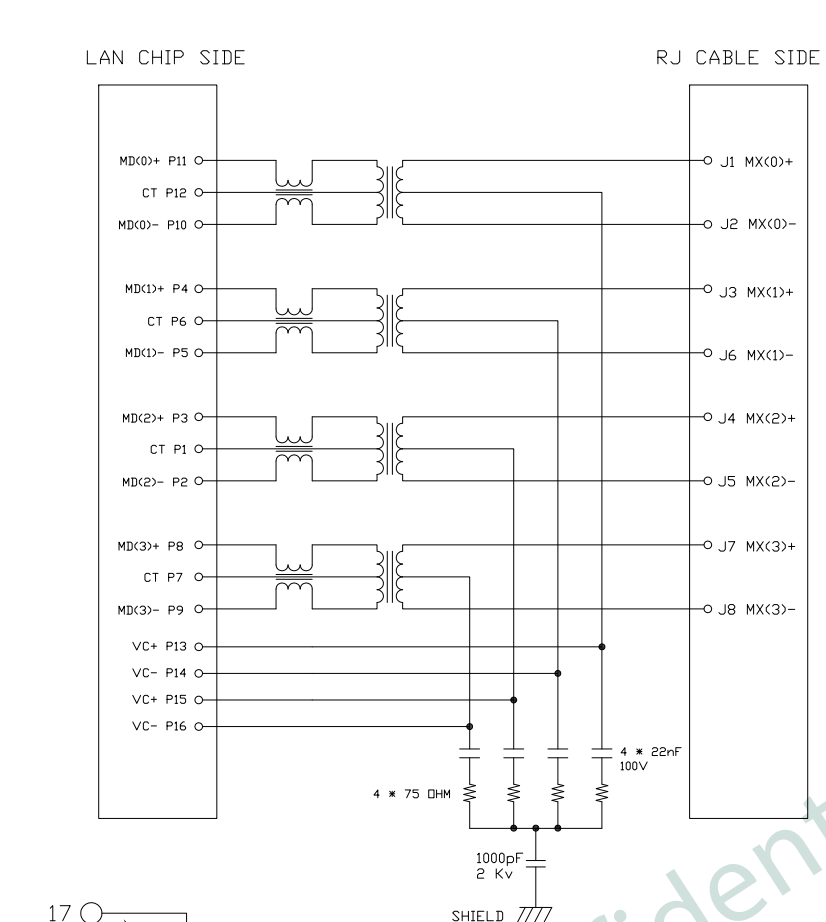
SHIELDED TYPE
7: EMI FINGER ON ALL SIDE

LED POLARITY
5: BI-COLOR, +-

PART NO KQH-01S-N-V13-570

TITLE	RJ45, W/1G TRANSFORMER AND PoE+, W/LED, SHIELDED			
REV : 01				
UNIT	DRAWN	CHKD	DATE	SHEET
mm[inch]	CINDY	DANIEL	Jan. 17, '18	2 of 5

3. SCHEMATIC :



COLOR	VF(V) @20mA		IV(mcd) @20mA		PEAK WAVE LENGTH λP(nm) @20mA
	TYP	MAX	TYP	TYP	
GREEN	2.2	2.6	8	20	570
ORANGE	2.0	2.6	10	20	606
YELLOW	2.2	2.6	15	20	588

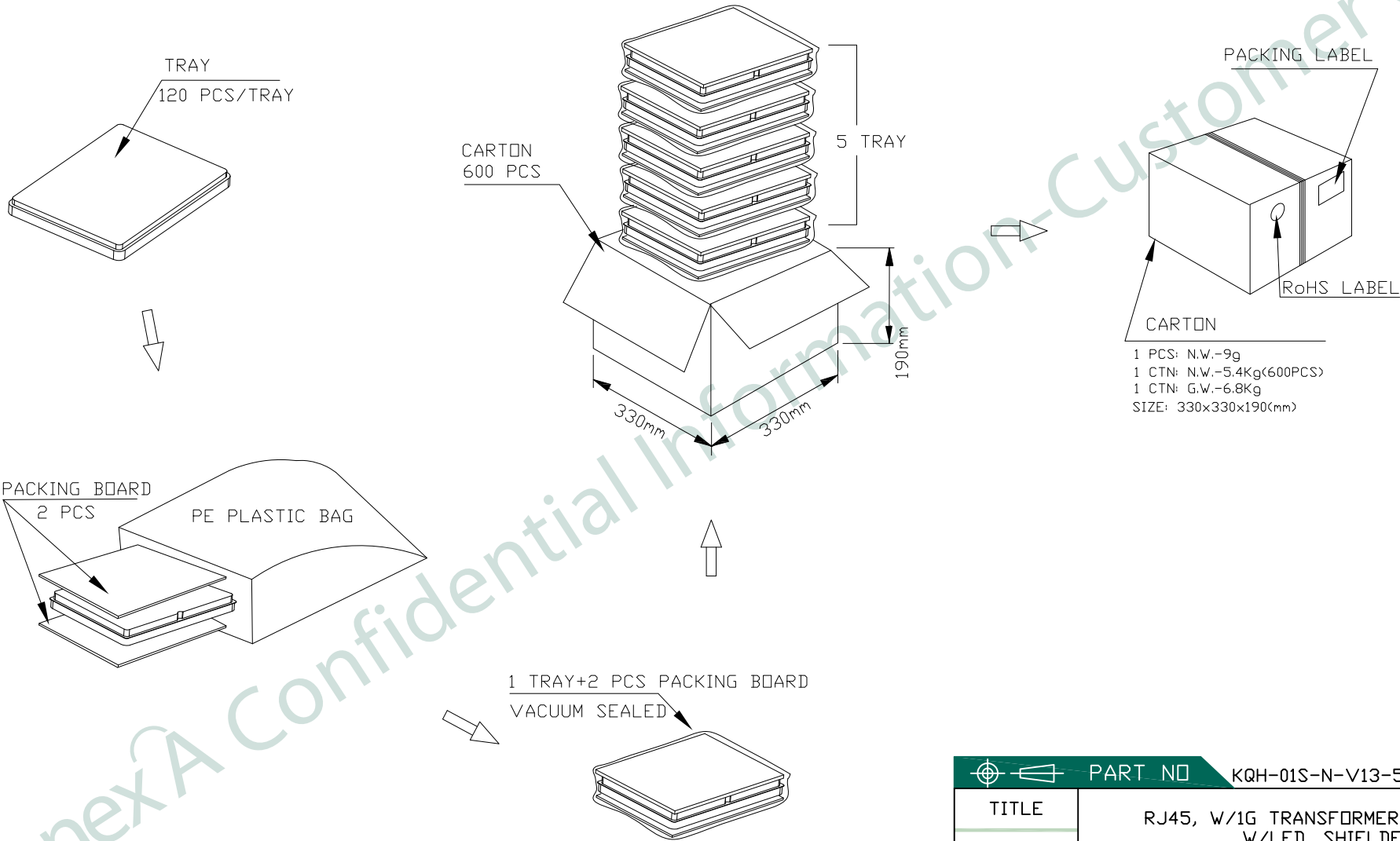
4. ELECTRICAL CHARACTERISTICS :


TEST NOTES:(25±5°C)

- 1.TR:
INPUT TO OUTPUT=1:1±3%
- 2.LX:(100KHz,100mV,8mA, DC Bias)
350uH MINIMUM
- 3.DCR:
EVERY RJ PAIR=1.2 Ω MAXIMUM
- 4.HIPDT:
INPUT TO OUTPUT PIN: 1500 VAC/60SEC
- 5.INSERTION LOSS:
-0.8dB MAXIMUM AT 0.3MHz TO 100MHz
-1.2dB MAXIMUM AT 100MHz TO 125MHz
- 6.RETURN LOSS:
-20dB MINIMUM AT 1MHz TO 10MHz
-16dB MINIMUM AT 30MHz
-12dB MINIMUM AT 60MHz TO 100MHz
- 7.CROSS TALK:
-40dB MINIMUM AT 1MHz TO 10MHz
-35dB MINIMUM AT 30MHz TO 60MHz
-30dB MINIMUM AT 60MHz TO 100MHz
- 8.COMMON TO COMMON MODE REJECTION:
-30dB MINIMUM AT 300KHz TO 100MHz
9. WORKING CURRENT FOR PoE+: 720mA DC MAX.

PART NO KQH-01S-N-V13-570				
TITLE	RJ45, W/1G TRANSFORMER AND PoE+, W/LED, SHIELDED			
REV : 01				
UNIT	DRAWN	CHKD	DATE	SHEET
mm[inch]	CINDY	DANIEL	Jan. 17, '18	3 of 5

5. PACKING SPECIFICATION:



 PART NO		KQH-01S-N-V13-570		
TITLE		RJ45, W/1G TRANSFORMER AND PoE+, W/LED, SHIELDED		
REV : 01				
UNIT	DRAWN	CHKD	DATE	SHEET
mm[inch]	CINDY	DANIEL	Jan. 17, '18	4 of 5

DWG NO KQH-01S-N-V13-570

KinnexA, INC. 8F, No. 172, CHENG TEH ROAD SEC. 4, TAIPEI 11167, TAIWAN

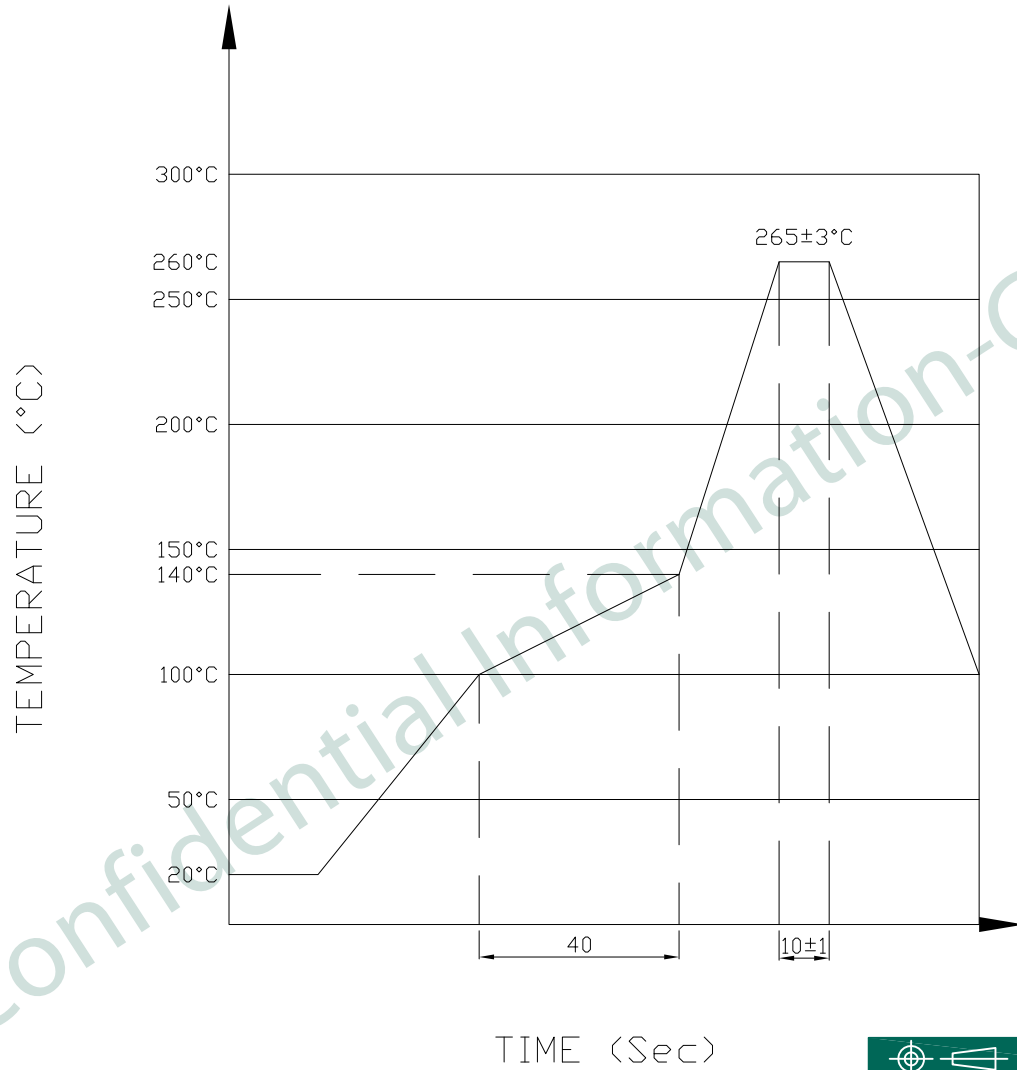
Connected by **KinnexA**

PRELIMINARY RELEASE SUBJECT TO CHANGE

※ THIS DRAWING IS A CONTROLLED DOCUMENT ※

RoHS Compliant

6. PROFILE OF WAVE SOLDER :



The measuring point for the specified temperature shall be on the soldered part of the lead

PART NO KQH-01S-N-V13-570				
TITLE	RJ45, W/1G TRANSFORMER AND PoE+, W/LED, SHIELDED			
REV : 01				
UNIT	DRAWN	CHKD	DATE	SHEET
mm[inch]	CINDY	DANIEL	Jan. 17, '18	5 of 5