



LED module with integrated LED 6-24 V AC/DC, yellow, screw terminal, for front plate mounting, Z=50-unit packaging

product brand name	SIRIUS ACT
product designation	LED module
product type designation	3SU1
General technical data	
product component	
• diode	Yes
• lamp transformer	No
• light source	Yes
• series resistor	No
insulation voltage rated value	320 V
degree of pollution	3
type of voltage of the operating voltage	AC/DC
• for actuation	AC/DC
surge voltage resistance rated value	4 kV
consumed current maximum	30 mA
protection class IP	
• of the enclosure	IP40
• of the terminal	IP20
shock resistance	
• according to IEC 60068-2-27	sinusoidal half-wave 15g / 11 ms
• for railway applications according to EN 61373	Category 1, Class B
vibration resistance	
• according to IEC 60068-2-6	10 ... 500 Hz: 5g
• for railway applications according to EN 61373	Category 1, Class B
operating period typical	100 000 h
reference code according to IEC 81346-2	P
Substance Prohibitance (Date)	03/01/2017
operating voltage	
• at AC	
— at 50 Hz rated value	6 ... 24 V
— at 60 Hz rated value	6 ... 24 V
• at DC rated value	6 ... 24 V
relative positive tolerance of the operating voltage	20 %
relative negative tolerance of the operating voltage	20 %
Control circuit/ Control	
inrush current maximum	2 A
Connections/ Terminals	
type of electrical connection	screw-type terminals
type of connectable conductor cross-sections	

<ul style="list-style-type: none"> • solid with core end processing 	2x (0.5 ... 0.75 mm ²)
<ul style="list-style-type: none"> • solid without core end processing 	2x (1.0 ... 1.5 mm ²)
<ul style="list-style-type: none"> • finely stranded with core end processing 	2x (0.5 ... 1.5 mm ²)
<ul style="list-style-type: none"> • finely stranded without core end processing 	2x (1,0 ... 1,5 mm ²)
<ul style="list-style-type: none"> • at AWG cables 	2x (18 ... 14)
tightening torque with screw-type terminals	0.8 ... 0.9 N·m

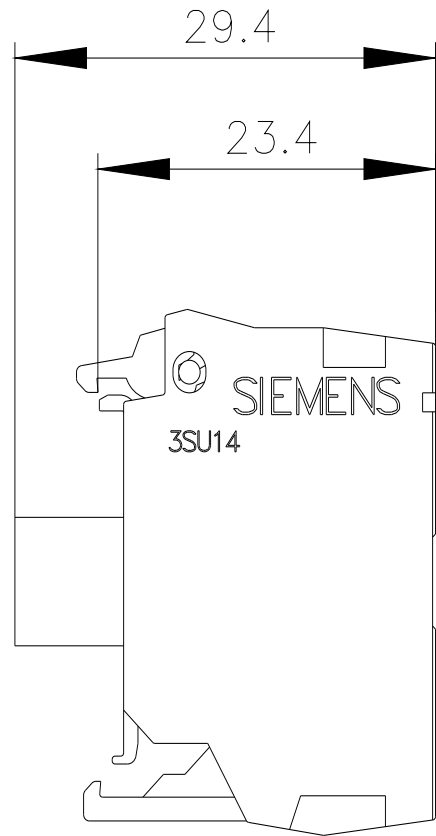
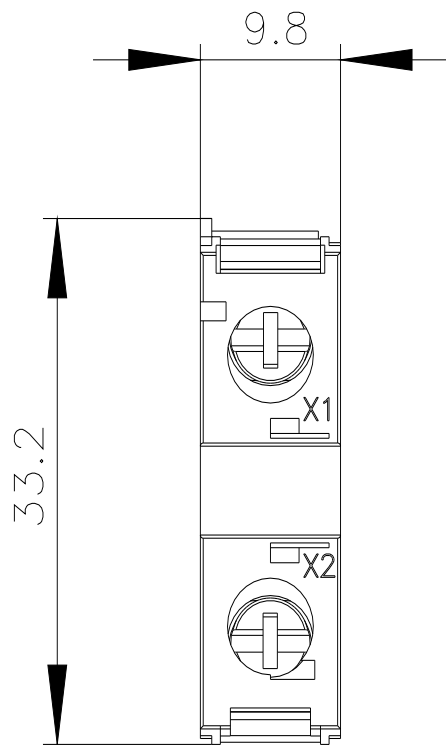
Lamp	
type of light source	LED
color of the light source	yellow
light intensity	900 ... 1 400 mcd
certificate of suitability	
<ul style="list-style-type: none"> • ATEX 	No
<ul style="list-style-type: none"> • IECEx 	No

Ambient conditions	
ambient temperature	
<ul style="list-style-type: none"> • during operation 	-25 ... +70 °C
<ul style="list-style-type: none"> • during storage 	-40 ... +80 °C
environmental category during operation according to IEC 60721	3M6, 3S2, 3B2, 3C3, 3K6 (with relative air humidity of 10 ... 95%, no condensation in operation permitted)

Installation/ mounting/ dimensions	
fastening method	
<ul style="list-style-type: none"> • of modules and accessories 	Front plate mounting
height	33.2 mm
width	9.8 mm
depth	29.4 mm
suitability for integration	
<ul style="list-style-type: none"> • plastic enclosure 	Yes
<ul style="list-style-type: none"> • metal enclosure 	Yes

Certificates/ approvals

Further information	
Information- and Downloadcenter (Catalogs, Brochures,...) https://www.siemens.com/ic10	
Industry Mall (Online ordering system) https://mall.industry.siemens.com/mall/en/en/Catalog/product?mlfb=3SU1401-1BG30-1AA0-Z X90	
Cax online generator http://support.automation.siemens.com/WW/CAXorder/default.aspx?lang=en&mlfb=3SU1401-1BG30-1AA0-Z X90	
Service&Support (Manuals, Certificates, Characteristics, FAQs,...) https://support.industry.siemens.com/cs/ww/en/ps/3SU1401-1BG30-1AA0-Z X90	
Image database (product images, 2D dimension drawings, 3D models, device circuit diagrams, EPLAN macros, ...) http://www.automation.siemens.com/bilddb/cax_de.aspx?mlfb=3SU1401-1BG30-1AA0-Z X90&lang=en	



last modified:

3/9/2022 