



PIR + Light + Photo

ZigBee Wireless
S708-P-DZB

ZigBee PIR, Photo & Lighting Control ON/OFF & 0(1)-10V Dimming

Product Features

- ZigBee Wireless Control of Luminaires
- ZigBee Occupancy & Photo Sensor
- 2.4GHz, +8dBm RF, +20dBm ZigBee transmit power
- ON/OFF and 0(1)-10V Analog Dimming Control, 100mA Sink
- Compatible with Electronic Ballasts & LED Drivers that comply with IEC60929 Annex E2, 1-10V Dimming.
- ON/OFF AC switching up to 277Vac
- Stores last dim setting even when powered off.

Environmental

1. Operating temperature: -20 to +60°C
2. Storage temperature range: -20 to +70°C
3. Humidity (non-condensing): 5% - 95%RH
4. Cooling: Convection
5. Vibration Frequency: 5-55Hz/2g, 30 minutes
6. Impact resistance: 1g/s

Safety and Compliance

1. UL244A Listed
2. FCC, 47CFR Part 15 Class B compliant
3. ZigBee HA V1.2
4. Damp, Dust Proof Design IP50
5. EN61000-4-5: 2kV L-N, 8/20 μsec surge protection

Electrical Specifications at 25°C

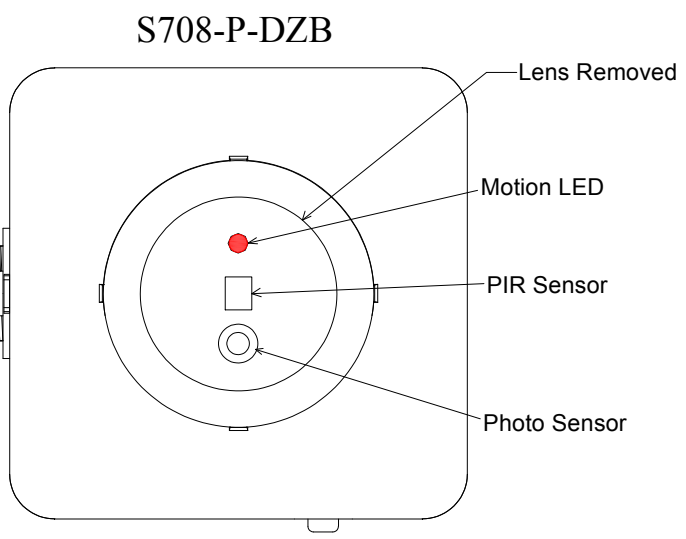
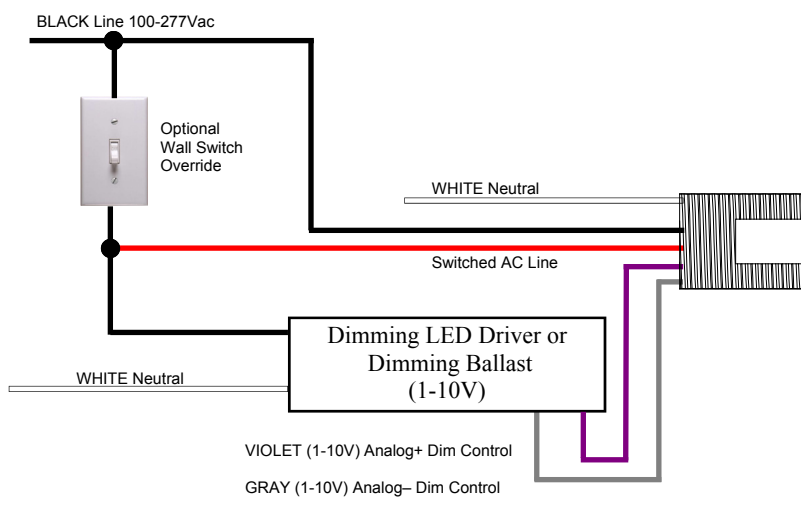
- Input voltage range: 100-277Vac
- Frequency: 47 - 63HZ
- AC Relay Switched Current: ≤9A Resistive, 1/4HP. See Page 3 and Note (1) below for load ratings.
- AC Zero Cross Switching
- Input current Module Power: ≤0.05A for Units power use.

Part Numbers



Part Number	Dimming US & CN Class 2	Control	ON/OFF Control	Dimming 0(1)-10V Analog	Photo Sensor	PIR Occupancy Sensor	AC Relay Voltage Range	AC Relay Maximum Current ⁽¹⁾
S708-P-DZB	YES	ZigBee HA	YES	YES	YES	NO	100-277Vac	9A, See Note (1)

Typical Application Circuit



Note: (1) Max Rated AC Relay Loads (RED Wire): AC Zero Cross Switching
 Fluorescent Ballasts, LED Drivers, Incandescent & Inductive Loads:
 1200W @ 277VAC, 4.33A, 1/4HP
 1000W @ 208-240VAC, 4.17A, 1/4HP
 800W @ 120VAC, 6.67A, 1/4HP
 AC Resistive Load: 100-277Vac 50/60Hz, 9A Maximum, 1/4 HP.

ZigBee PIR, Photo & Lighting Control ON/OFF & 0(1)-10V Dimming

Mechanical Dimensions: Inches [mm]

Material: 5VA PC Plastic Case
Weight: 136 Grams (4.8 oz.) Typical

Labeling Example





EuControls
COLORS AND LIGHTS UNDER YOUR CONTROL

High Bay Sensor, PIR Occupancy with Photo Sensor & Dimmable Lighting Control

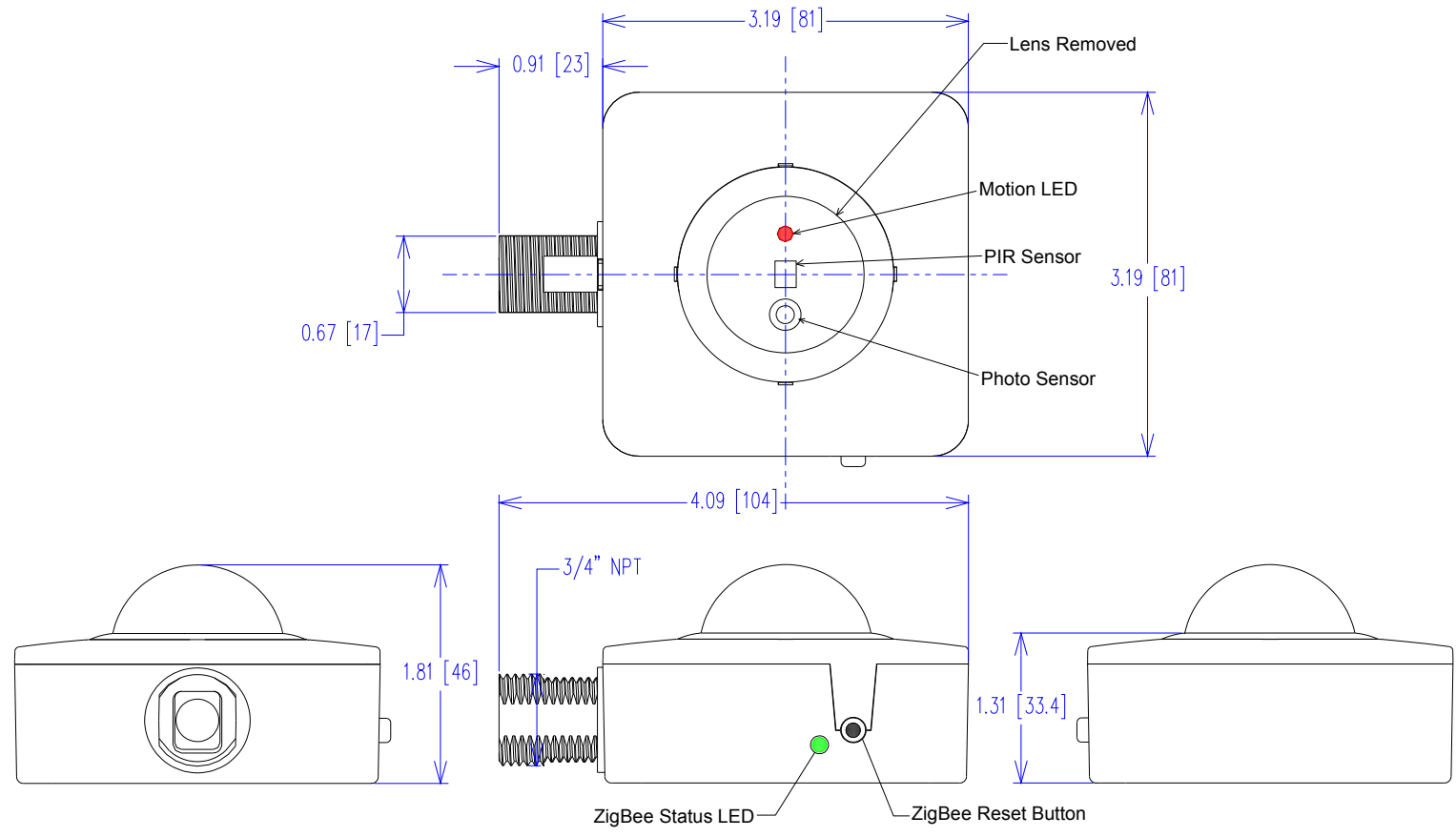
Part Number: S708-P-DZB
Input Voltage: 100 - 277VAC 50/60Hz
Switched Output Max: Fluorescent, HID, LED, Tungsten: 120Vac @ 800W, 208-240Vac @ 1000W, 277Vac @ 1200W
1-10V Sink Dimming Output, @ 100mA Max.
1-10V Output is UL & cUL Class 2
Operating Temp: -20C to +60C






REV A Made in China



ZigBee PIR, Photo & Lighting Control ON/OFF & 0(1)-10V Dimming

Input Specifications

Parameter	Min.	Typ.	Max.	Notes/Conditions
Input Voltage	90 Vac	—	277 Vac	120, 230, 240, 277 Vac Nominal Values
Input Frequency	47 Hz	—	63 Hz	50/60Hz Nominal
ZigBee Control Transmit Power	—	—	+20dBm	ON/OFF, 0-10V dimming & Photo Sensor, Standard ZigBee
ZigBee Control Receive	—	-95dBm	—	ZigBee Radio Receive Sensitivity
Photo Sensor Range	1	—	300fc	Precision Optical Filtering Matches the Human Eye

Output Specifications

Parameter	Min.	Typ.	Max.	Notes/Conditions
AC Relay Switch ON/OFF (Vac)	0	—	277Vac	Relay N/O Contacts, AC Zero Cross Switching
AC Relay Load @120VAC (W)	0	—	800W	6.67A, Fluorescent, LED Drivers, Incandescent & Inductive Loads
AC Relay Load @ 208-240Vac (W)	0	—	1000W	4.17A, Fluorescent, LED Drivers, Incandescent & Inductive Loads
AC Relay Load @ 277Vac (W)	0	—	1200W	4.33A, Fluorescent, LED Drivers, Incandescent & Inductive Loads
AC Relay Load Resistive @120-277Vac (A)	0	—	9A	Resistive Loads
Relay Inrush Current (Peak)	—	—	221A	Measured at 120Vac/60Hz Input 10% Ipeak duration \approx 1.25 msec
	—	—	320A	Measured at 277Vac/60Hz Input 10% Ipeak duration \approx 1.20 msec
Sink Current on 0-10V (+) Purple Wire	0mA	—	100mA	IEC60929 Annex E2
Absolute Voltage Range on 0-10V (+) Purple Wire	-20.0V	—	+20V	IEC60929 Annex E2
Dimming Range	0.9V	—	+10V	Ballast or Led Driver provides Dim Voltage & Current per IEC60929 Annex E2, 0(1)-10V Analog Dimming

Environmental Specifications

Parameter	Min.	Typ.	Max.	Notes/Conditions
Operating Temperature (Ta)	-20 °C	—	+60 °C	Operating temperature range.
Storage Temperature (Ts)	-20 °C	—	+70 °C	Non operating temperature range.
Operating Humidity	—	—	95% RH	Relative Humidity, non-condensing.
Vibration	5 Hz	—	55 Hz	2G, 10 minutes/1 cycle, period 30 minutes, each along X, Y, Z axis.

Safety & EMC Compliance

Safety	Notes/Standards
UL/CUL Listed	UL244A, UL508, CSA22.2 NO. 14-13
CE	EN61347-1, EN61347-2-13
Withstand Voltage Relay	Input to Output Across Relay Contacts: 700 Vac
Withstand Voltage AC In to Dim Out	Input to DIM: >1750 Vac
0-10V Class 2 Isolated Dimming Circuit	UL & cUL Isolated Class 2, Dim+ Purple/Dim- Gray. Dimming can be wired as a Class 1 or Class 2 circuit.
FCC	Compliant Class B
EN 61000-4-5	Part 4-5: Surge Immunity test, 2 kV L-N

ZigBee PIR, Photo & Lighting Control
ON/OFF & 0(1)-10V Dimming

High Bay Lens Coverage

