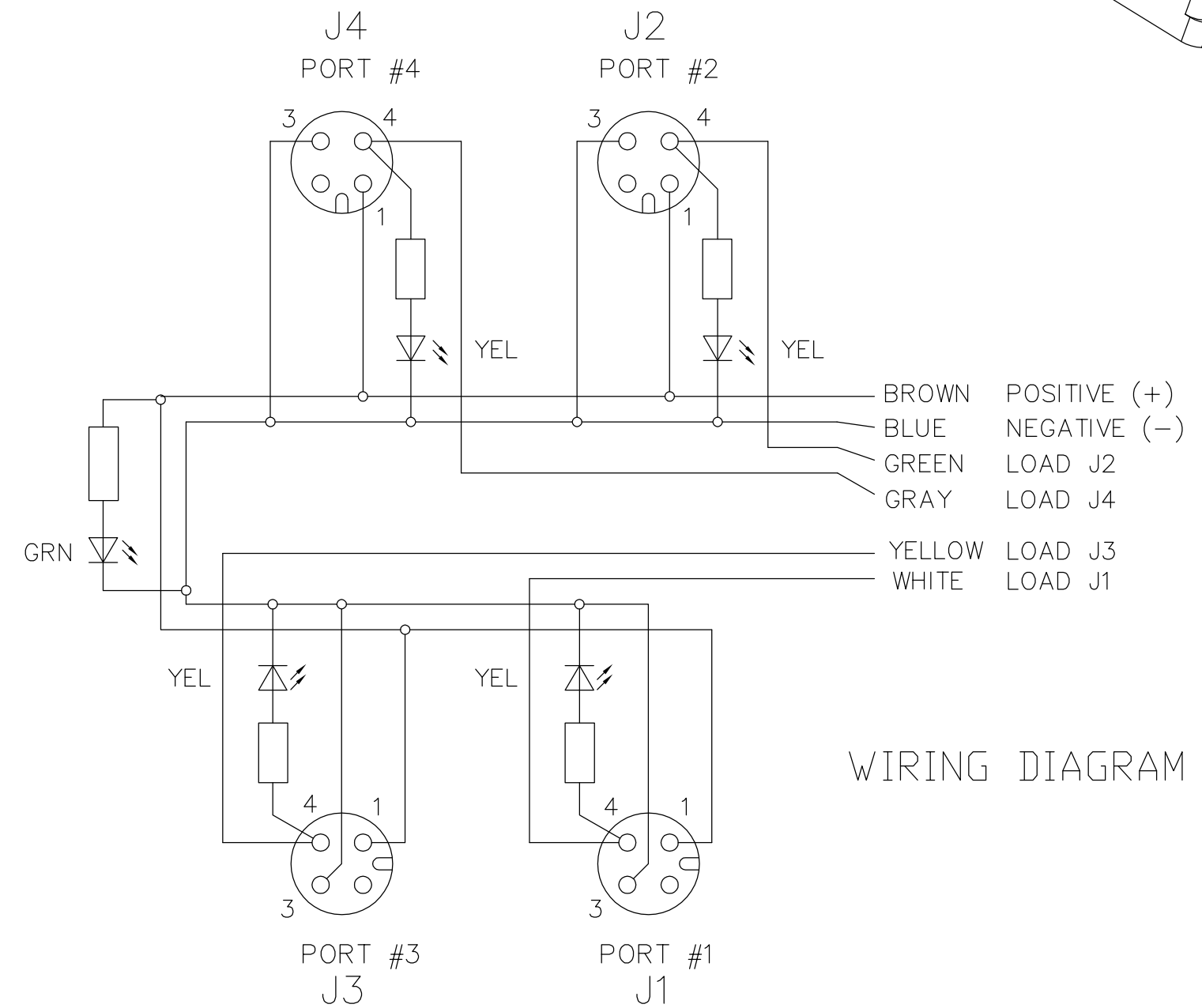
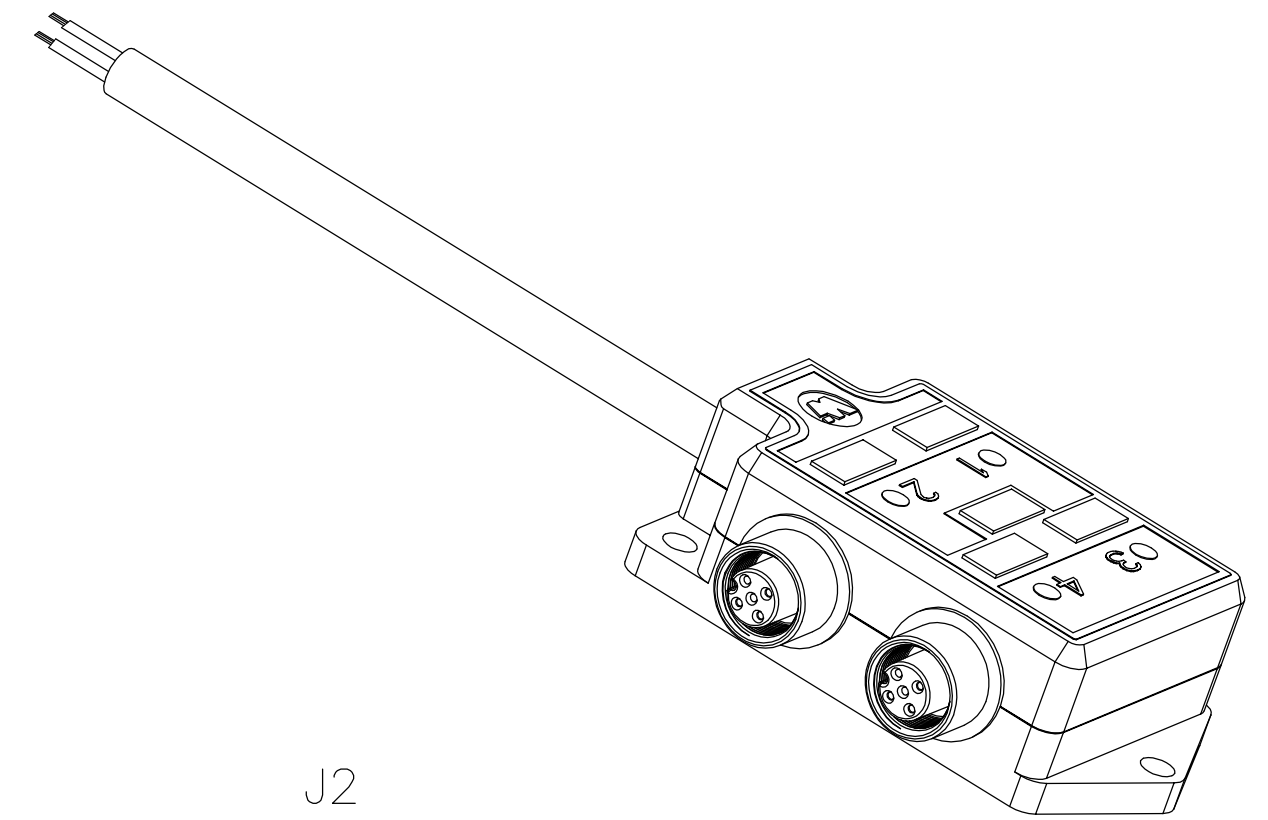
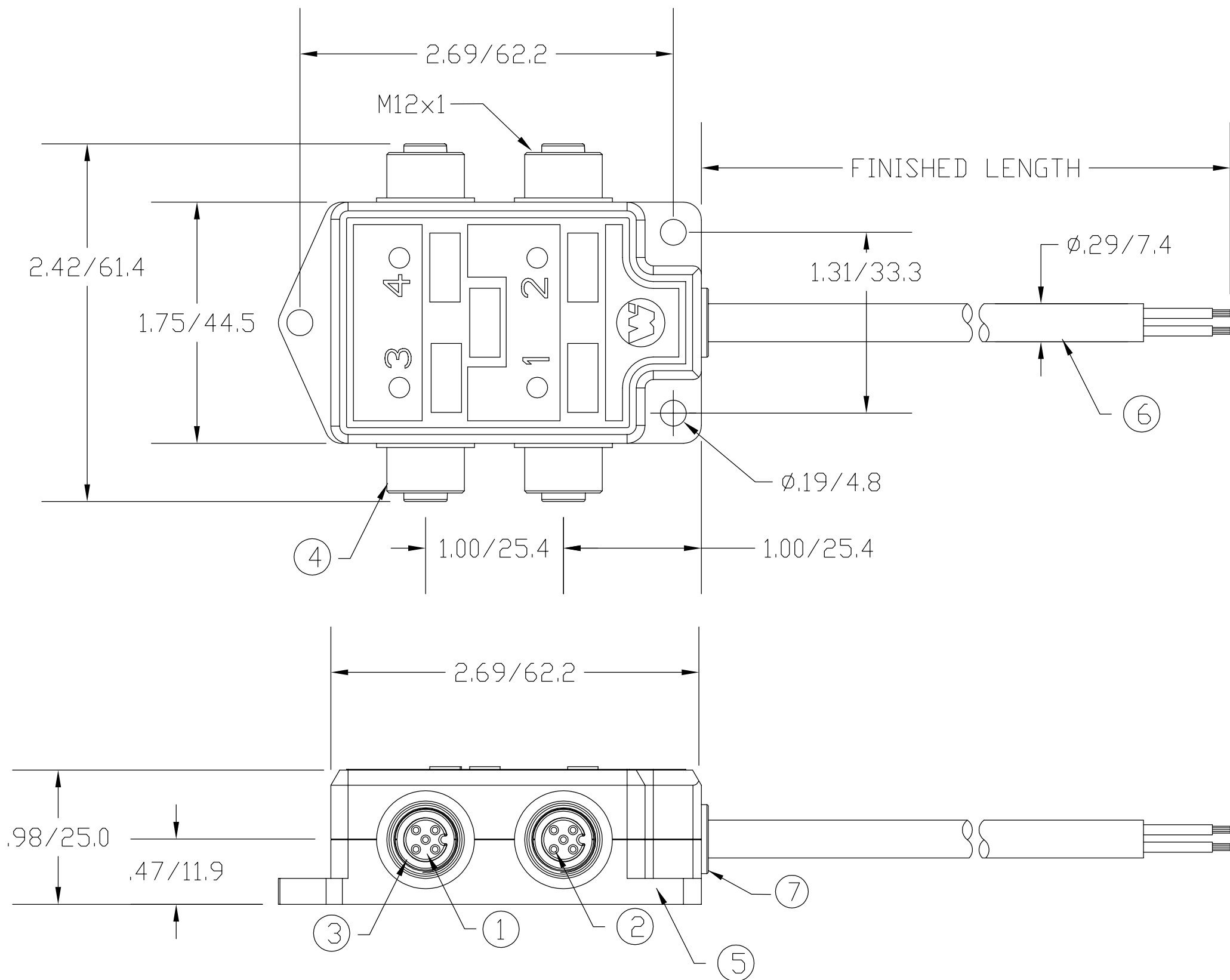


MATERIAL NUMBER	OLD PART NUMBER	FINISHED LENGTH
120115-0046	803P401	16.40' +6.50" -0 [5.0M +165.1 -0]



WIRING DIAGRAM

ITEM	COMPONENT	MATERIAL	FINISH
1	INSERT	NYLON	BLACK
2	CONTACT SOCKET	COPPER ALLOY	GOLD OVER NICKEL
3	O-RING	NITRILE	RED
4	RECEPTACLE SHELL	ZINC DIE CAST	BLACK E-COATED
5	HOUSING	NYLON	YELLOW
6	CABLE- 18AWG, (41 X #34), 1 CONDUCTOR; 22 AWG (26 X #36), 5 CONDUCTOR, 300V	PVC	YELLOW
7	GROMMET	NITRILE	BLACK

VOLTAGE RATING	10-30 VDC
AMPERAGE RATING PER PORT	4 AMPS
PROTECTION	IP67
OPERATING TEMPERATURE	-20°C TO 90°C

RLSD DRAWING EC NO: WNA2009-0641 DRWN: BWOODMAN 3/30/09 CH'KD: JM APPR: JFMURPHY 2009/04/08	DESCRIPTION REV A	QUALITY SYMBOL ▽=0 ◁=0	GENERAL TOLERANCES (UNLESS SPECIFIED) <table border="1"> <thead> <tr> <th></th> <th>mm</th> <th>INCH</th> </tr> </thead> <tbody> <tr> <td>4 PLACES</td> <td>±----</td> <td>±----</td> </tr> <tr> <td>3 PLACES</td> <td>±----</td> <td>±----</td> </tr> <tr> <td>2 PLACES</td> <td>±----</td> <td>±.01</td> </tr> <tr> <td>1 PLACE</td> <td>±0.3</td> <td>±----</td> </tr> </tbody> </table>		mm	INCH	4 PLACES	±----	±----	3 PLACES	±----	±----	2 PLACES	±----	±.01	1 PLACE	±0.3	±----	DIMENSION STYLE IN/MM DRAWN BY: BW DATE: 2009/03/30 CHECKED BY: VO DATE: 2009/03/30 APPROVED BY: DATE:	SCALE ---- DESIGN UNITS ----	THIRD ANGLE PROJECTION
			mm	INCH																	
		4 PLACES	±----	±----																	
		3 PLACES	±----	±----																	
2 PLACES	±----	±.01																			
1 PLACE	±0.3	±----																			
DRAFT WHERE APPLICABLE MUST REMAIN WITHIN DIMENSIONS			SEE CHART	TITLE MICRO-CHANGE MPIS 4 PORT SIDE MOUNT PNP PVC CABLE	MOLEX INCORPORATED	SHEET NO. 1 OF 1															
SIZE C			THIS DRAWING CONTAINS INFORMATION THAT IS PROPRIETARY TO MOLEX INCORPORATED AND SHOULD NOT BE USED WITHOUT WRITTEN PERMISSION																		
MATERIAL NO. SEE CHART			DOCUMENT NO. SD-120115-002		OPERATING TEMPERATURE -20°C TO 90°C																