

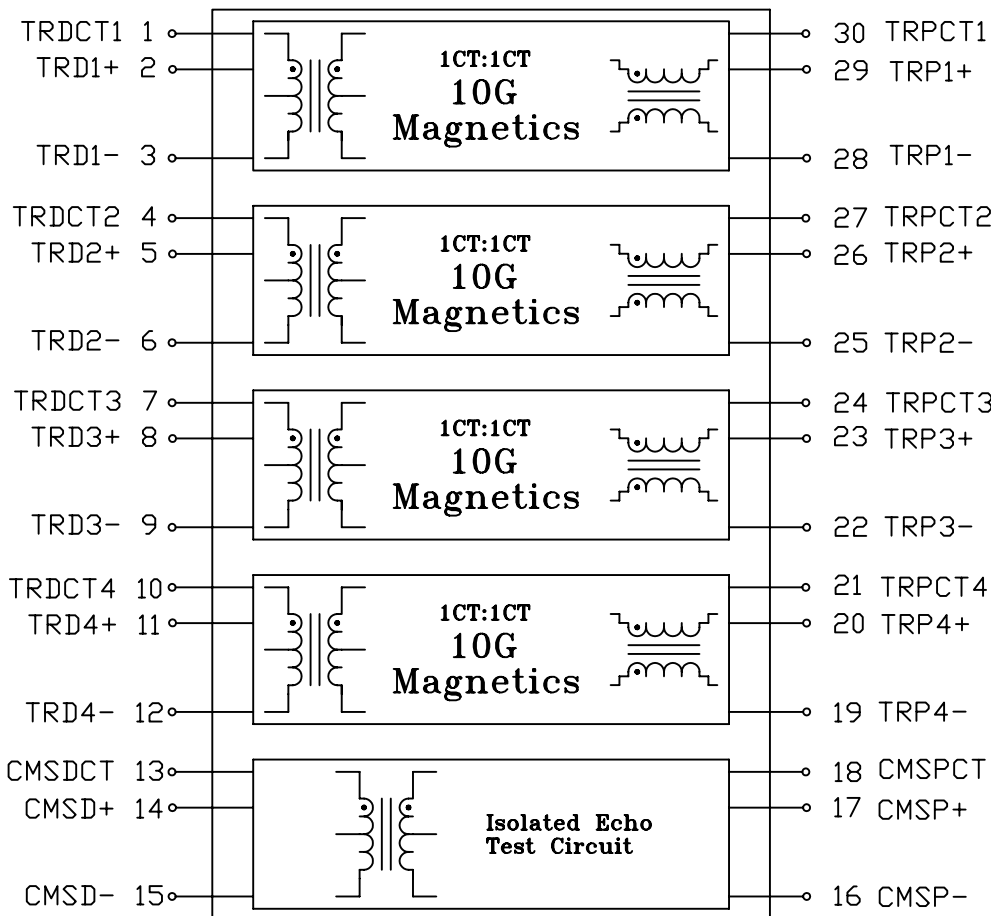
THE INFORMATION CONTAINED HEREIN IS CONSIDERED 'PROPRIETARY' TO BEL FUSE INC. AND SHALL NOT BE COPIED, REPRODUCED OR DISCLOSED WITHOUT THE WRITTEN APPROVAL OF BEL FUSE INC.

RoHS



SCHEMATIC

ELECTRICAL SPECIFICATION @25°C



TURNS RATIO
 (2-1-3) : (29-30-29) 1CT : 1CT
 (5-4-6) : (26-27-25) 1CT : 1CT
 (8-7-9) : (23-24-22) 1CT : 1CT
 (11-10-12) : (20-21-19) 1CT : 1CT
 (14-13-15) : (17-18-16) 1CT : 1CT

□CL (16-17) 80uH MIN

POLARITY 2°&29°, 5°&26°
 8°&23°, 11°&20°, 14°&17°

INSERTION LOSS	FREQ(MHz)	1	2-300	400	500
	dB MAX	0.3	1.0	1.5	2.0

RETURN LOSS	FREQ(MHz)	1-100	200	300	400	500	600
	dB MIN	20	18	17	15.5	12.5	10

CM TO DM REJECTION RATIO	FREQ(MHz)	50	100	200	300	400	500
	dB MIN	48	42	36	33	30	28

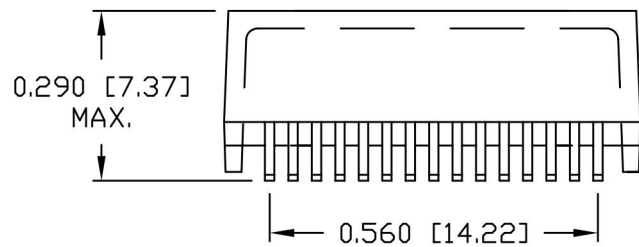
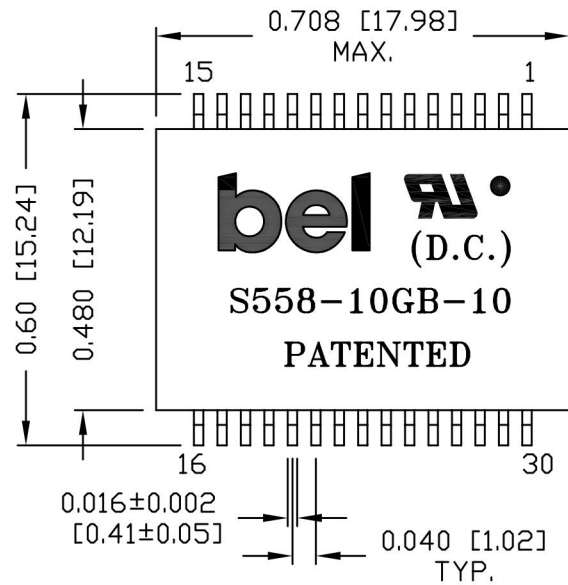
CM TO CM REJECTION RATIO	FREQ(MHz)	50	100	200	300	400	500
	dB MIN	30	27	24	22	21	20

HIPOT 2250VDC

SUPPORTED BALANCE DC LINE CURRENT TO THE CENTER TAPS
 OF TRANSFORMERS ON LINE SIDE :
 720mA MAX @57VDC CONTINUOUS
 1.2A MAX @57VDC FOR 200 MILLISECONDS

ORIGINATED BY	DATE	TITLE	PART NO. / DRAWING NO.	STANDARD DIM.	[] METRIC DIM. AS REF.	REV. : C	PAGE : 2
Alice Pang	2015-01-23	ELECTRICAL SPECIFICATION	S558-10GB-10	TOL. IN INCH	UNIT : INCH [mm]	 POWER PROTECT CONNECT	
DRAWN BY	DATE		FILE NAME	.X	SCALE : N/A		
ZC Guo	2015-01-23		S55810GB10C.DWG	.XX	SIZE : A4		
				.XXX			

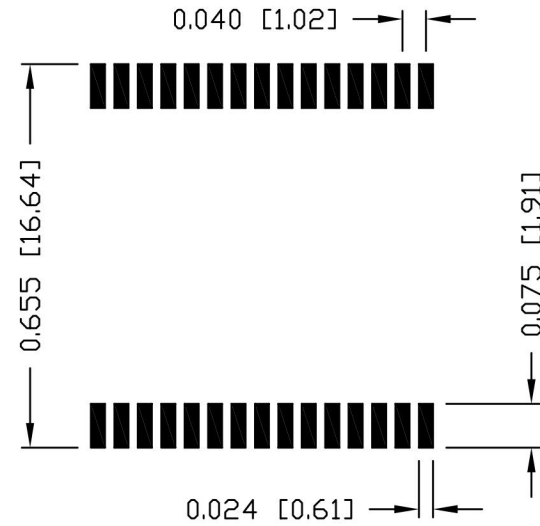
THE INFORMATION CONTAINED HEREIN IS CONSIDERED 'PROPRIETARY' TO BEL FUSE INC. AND SHALL NOT BE COPIED, REPRODUCED OR DISCLOSED WITHOUT THE WRITTEN APPROVAL OF BEL FUSE INC.



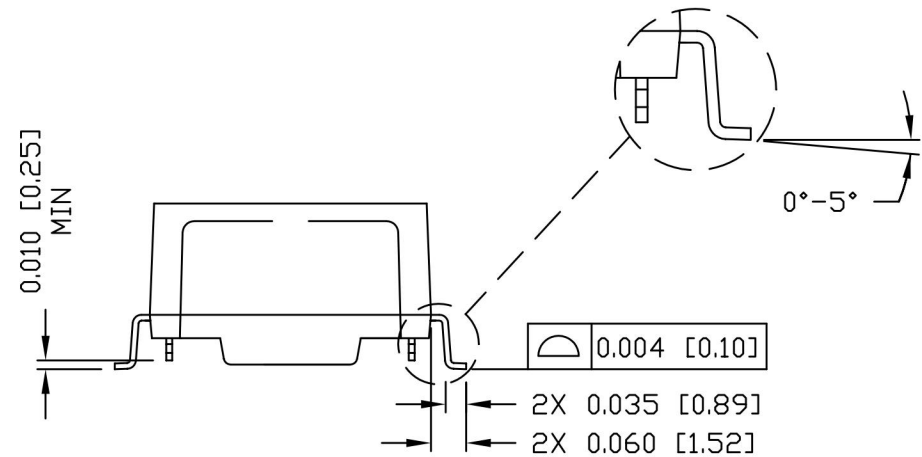
NOTES:

1. STANDARD MARKING REFER TO DOC. HAND-WORK-04.
2. PACKAGE CODE: "QACS001A".
3. PATENT NO : U.S. PAT. 7429195 ; 7924130

SUGGESTED PCB PAD LAYOUT



RoHS



ORIGINATED BY Lawrence Tsang		DATE 2016-01-25	TITLE MECHANICAL SPECIFICATION	PART NO. / DRAWING NO. S558-10GB-10		STANDARD DIM. TOL. IN INCH		[] METRIC DIM. AS REF.		REV. : D	PAGE : 3
DRAWN BY ZC Guo		DATE 2016-01-25		FILE NAME S55810GB10D.DWG		.X ±0.01		UNIT : INCH [mm]			
						.XX ±0.005		SCALE : N/A		SIZE : A4	

