

- Vertical Mount
- UT20 Through Hole Design
- Operating Temp: -20°C to +115°C including temp rise

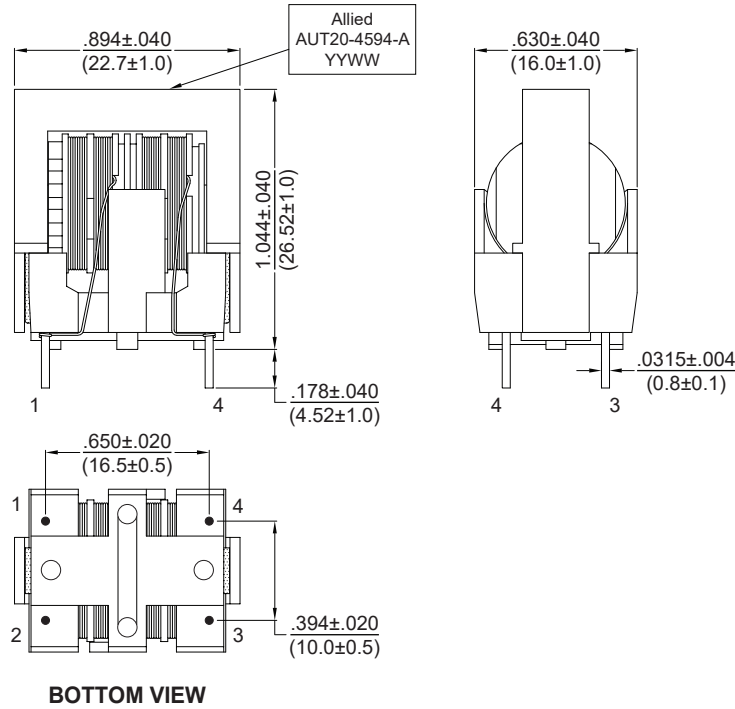
Electrical Specifications @ 25°C

Inductance @1KHz, 1V (1-2) = (4-3)	DCR (1-2) = (4-3)	Turns Ratio N1 : N2	Hi-Pot Coil to Coil 3mA / 60Sec	Rated Current
35mH MIN	1.60Ω Max	1 : 1	2000VAC	0.6A MAX

All specifications subject to change without notice.

MECHANICAL

Dimensions: $\frac{\text{inch}}{\text{mm}}$



SCHEMATIC

