



Illuminated Pushbutton - 22, 25 & 30mm

Specifications

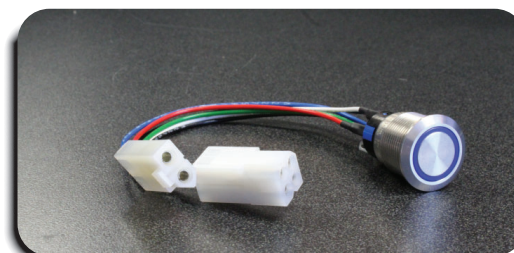
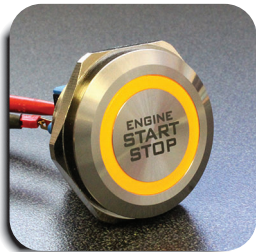
Electrical Ratings	2A @ 24VDC 2A @ 125VAC 1A @ 250VAC	Actuation Force	550 ±50gF
Sealing Degree	IP67	Actuation Travel	2.5 ± .3mm
Electrical Life	50,000 cycles typical	Dielectric Strength	2000Vrms min contact to contact 2000Vrms min contact to LED
Contact Resistance	≤ 50mΩ initial	Insulation Resistance	≥ 100MΩ min
		Operating Temperature	-25°C to 70°C
		Storage Temperature	-25°C to 70°C

Materials

Actuator	Stainless Steel or Anodized Aluminum
LED Lens	Polycarbonate (PC)
Threaded Body	Stainless Steel or Anodized Aluminum
Terminal Support	Polybutylene Terephthalate (PBT)
Inner Switch Body	Polycarbonate (PC)
Contacts	Silver Alloy
Terminals	Brass, Epoxy Sealed
Hardware	One Hex Nut & One "O" Ring Supplied

Contact Factory for

- Cable Assembly
- Plastic Convex Actuator
- Shine Through Symbols
- Laser Etching



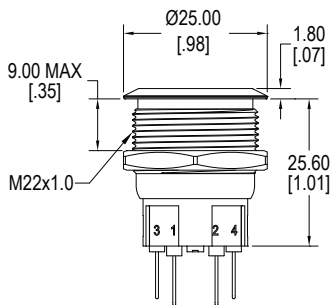
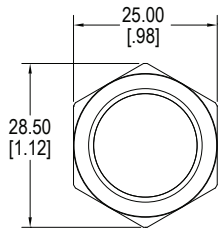
Ordering Information

1. Series	DH22	1	N	B	B	R	Z
DH22 - 1 Pole only DH25 DH30 <i>Contact factory for 2 Pole DH22 option</i>							
2. Number of Poles	1 = SPST NO + SPST NC 2 = DPST NO + DPST NC <i>not available with DH22</i>						
3. Bezel Style	Blank = Standard Bezel H = Straight Bezel						
4. Latching Option	N = Momentary L = Latching						
5. Actuator Style:	A = Flush actuator, non-illuminated B = Flush actuator, ring illuminated C = Flush actuator, dot illuminated G = Flush actuator, international standby symbol illuminated EC = Epoxy Convex actuator, <i>contact factory for details</i> MR = Mushroom, red anodized aluminum <i>only available with DH22 & DH25</i> MRC = Mushroom, red anodized aluminum, dot illuminated <i>only available with DH22 & DH25</i>						
6. Switch Finish	B = Black anodized aluminum G = Green anodized aluminum R = Red anodized aluminum S = Brushed stainless steel U = Blue anodized aluminum Y = Yellow anodized aluminum						
7. LED Color	Z = No LED R = Red Y = Yellow G = Green B = Blue W = White O = Orange RGB <i>only available with DH22</i> RO = Red / Orange dual LED RY = Red / Yellow dual LED RG = Red / Green dual LED RB = Red / Blue dual LED OY = Orange / Yellow dual LED OG = Orange / Green dual LED OB = Orange / Blue dual LED YG = Yellow / Green dual LED YB = Yellow / Blue dual LED GB = Green / Blue dual LED * Contact Factory for other LED options						
8. LED Voltage	Z = No LED N = No internal resistor in series with the LED 6 = 6V 12 = 12V 24 = 24V 110 = 110V 220 = 220V						
9. Terminal Option	Blank = .100" Quick Connect, standard T = Screw Terminals, only available with 1 pole <i>not available on DH28</i>						

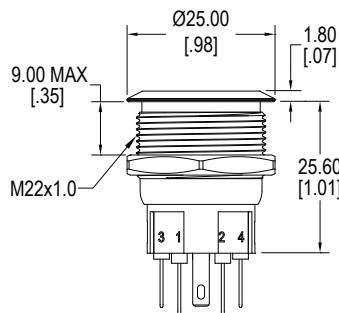
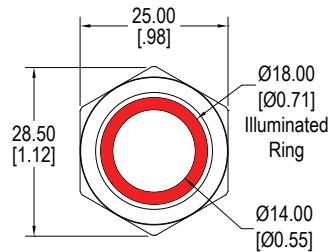
OPTIONAL Socket Housing available

Dimensions

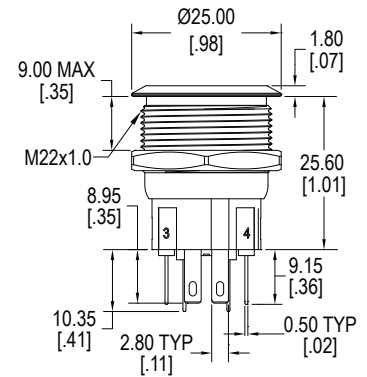
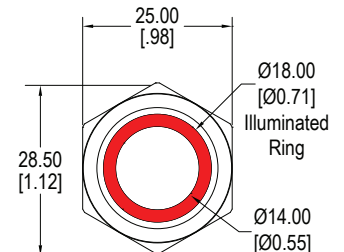
22mm - Actuator Styles, available in Single Pole only



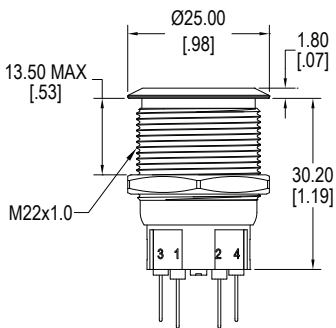
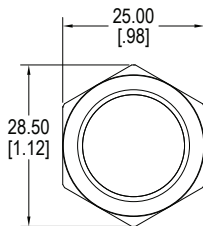
A Non-Latching



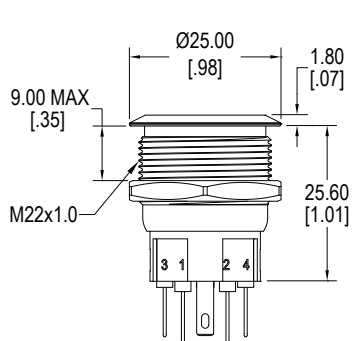
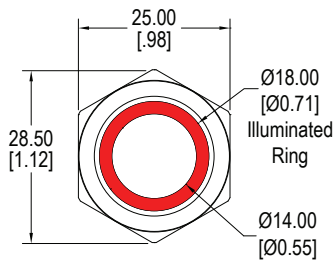
B Non-Latching



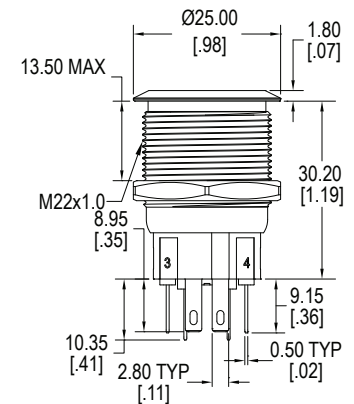
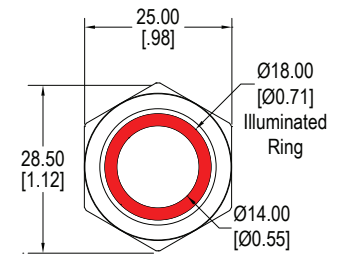
B Non-Latching RGB



A Latching



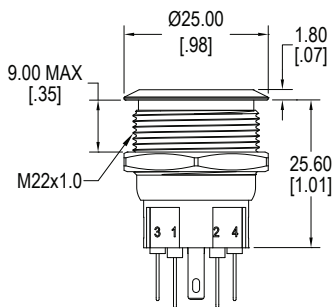
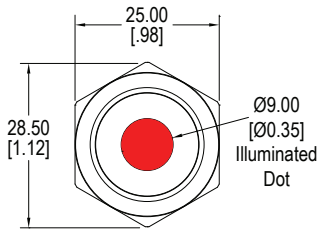
B Latching



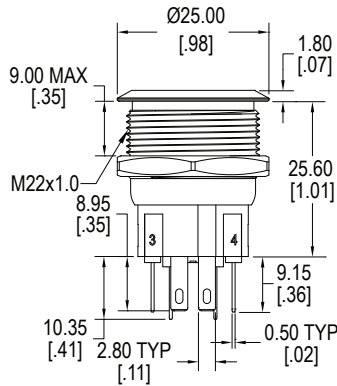
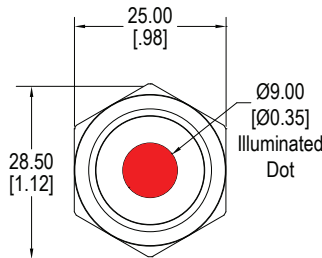
B Latching RGB

Dimensions

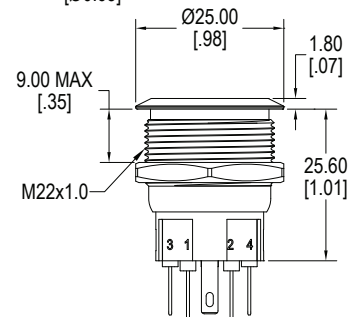
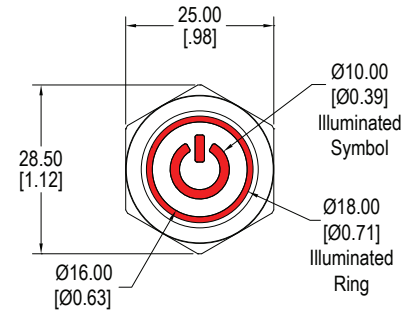
22mm - Actuator Styles, available in Single Pole only



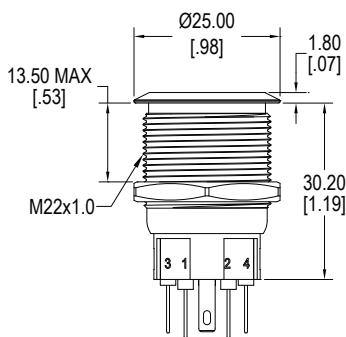
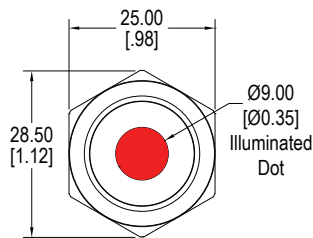
C Non-Latching



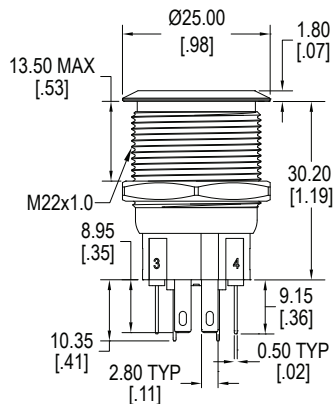
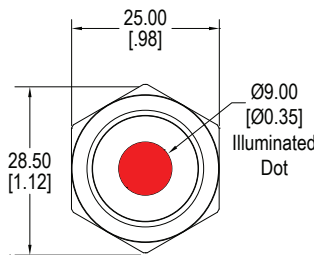
C Non-Latching RGB



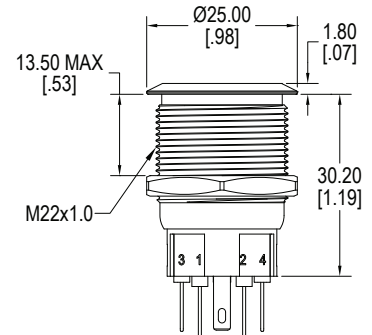
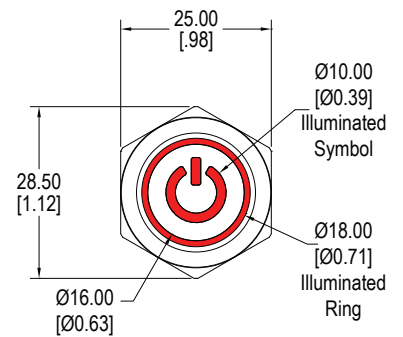
G Non-Latching



C Latching



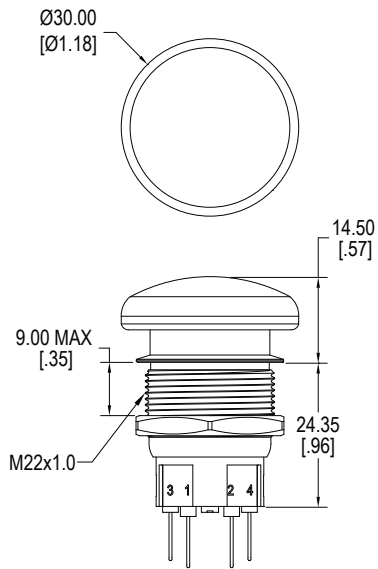
C Latching RGB



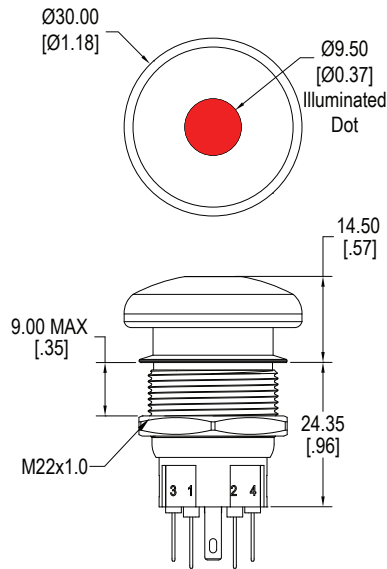
G Latching

Dimensions

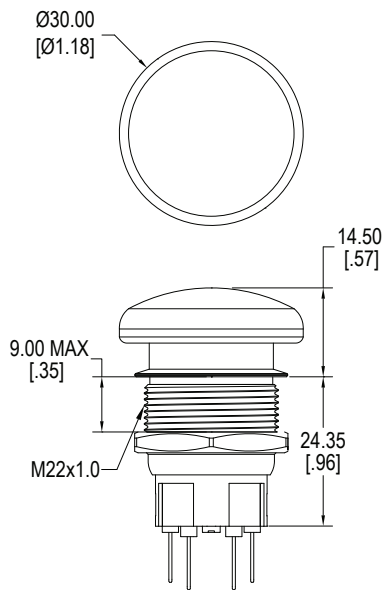
22mm - Actuator Styles, available in Single Pole only



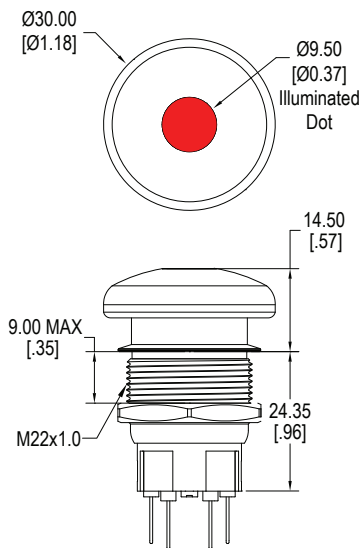
MR Non-Latching



MRC Non-Latching



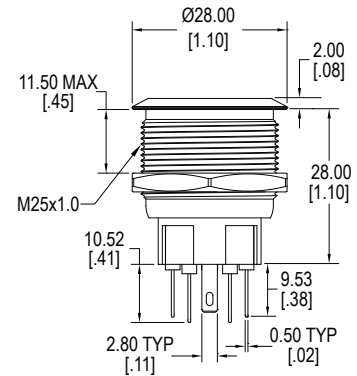
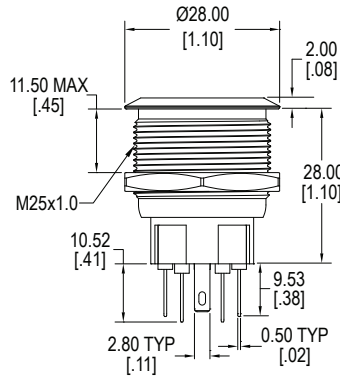
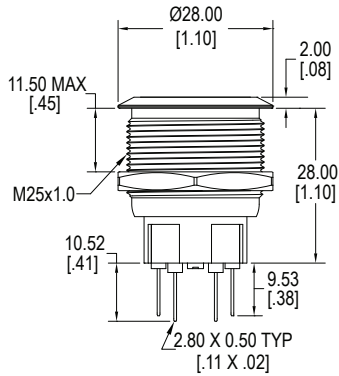
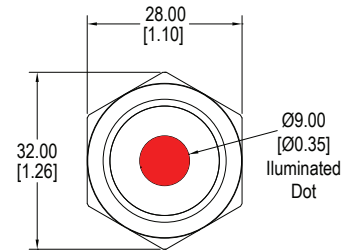
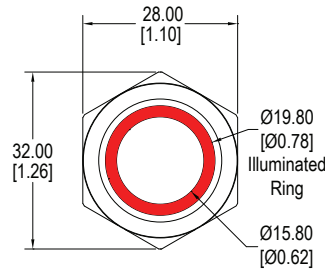
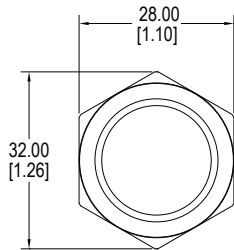
MR Latching



MRC Latching

Dimensions

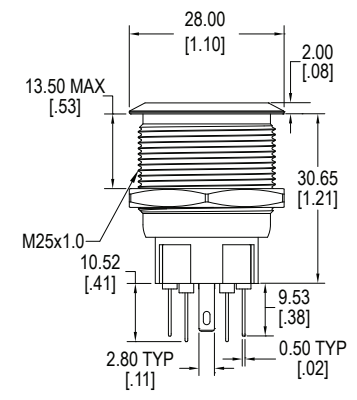
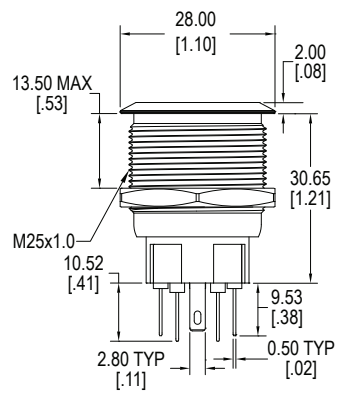
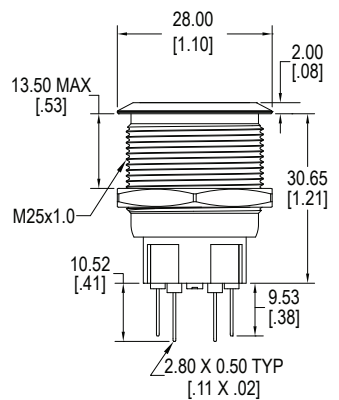
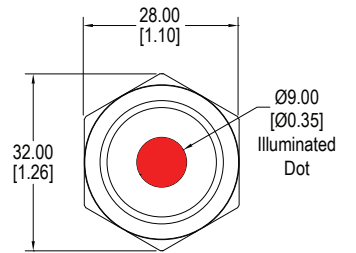
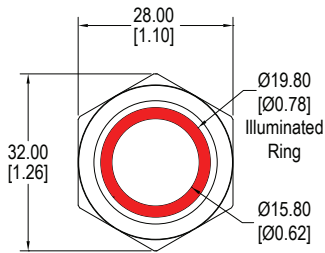
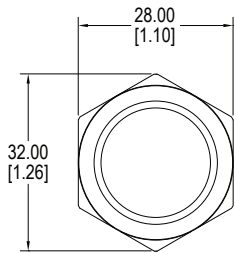
25mm - Actuator Styles, available in Single Pole & Double Pole



A Non-Latching

B Non-Latching

C Non-Latching



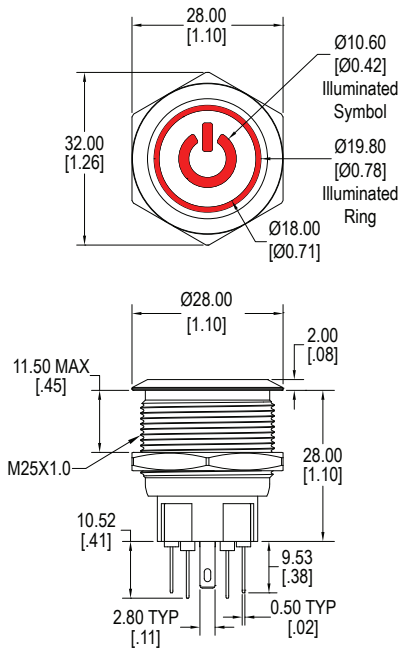
A Latching

B Latching

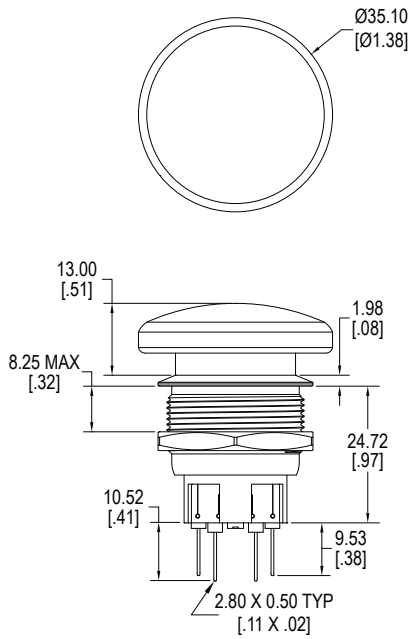
C Latching

Dimensions

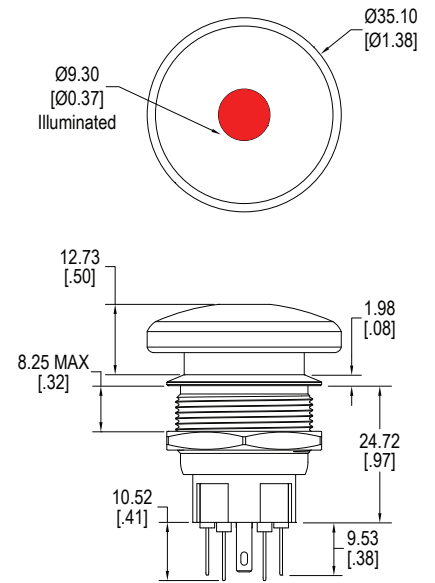
25mm - Actuator Styles, available in Single Pole & Double Pole



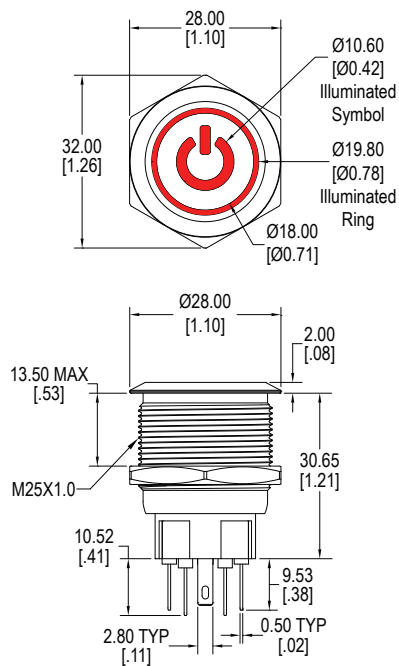
G Non-Latching



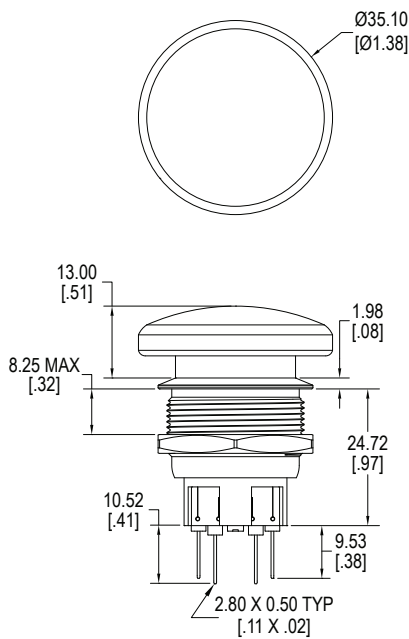
MR Non-Latching



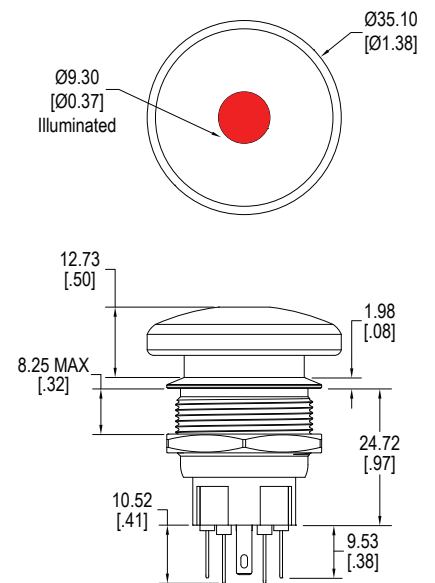
MRC Non-Latching



G Latching



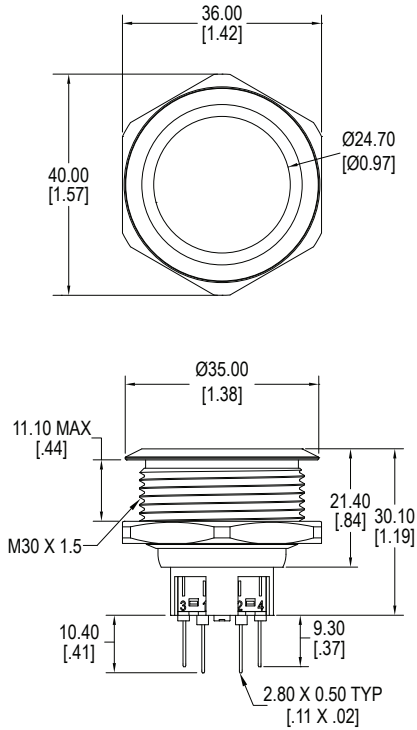
MR Latching



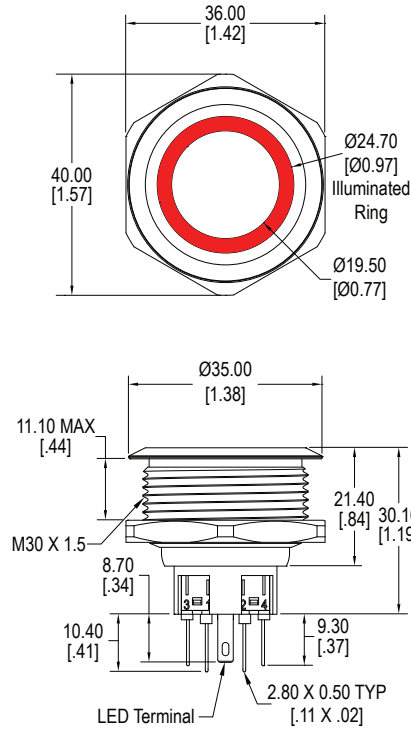
MRC Latching

Dimensions

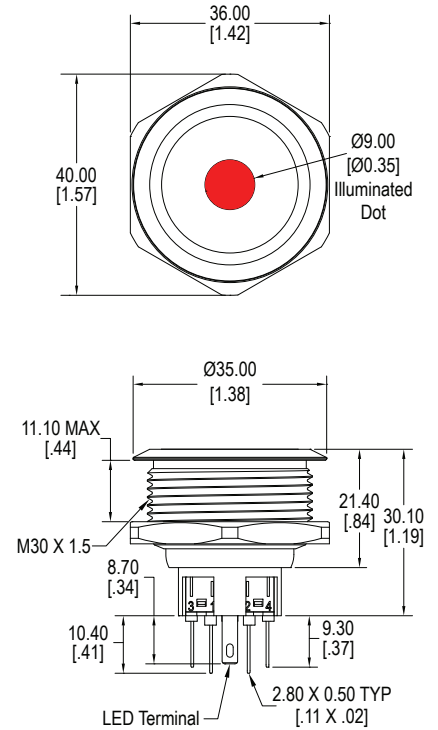
30mm - Actuator Styles, available in Single Pole & Double Pole



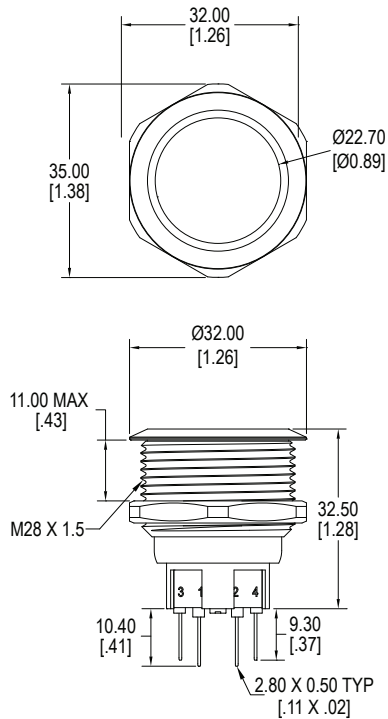
A Non-Latching



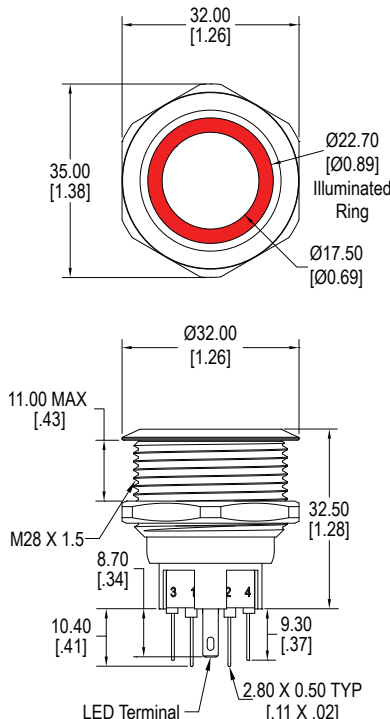
B Non-Latching



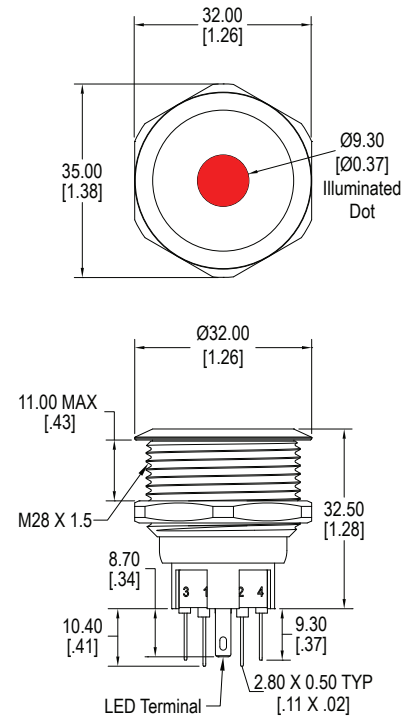
C Non-Latching



A Latching



B Latching
8 of 13

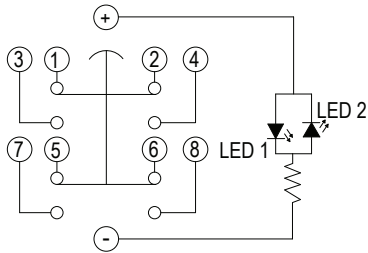


C Latching

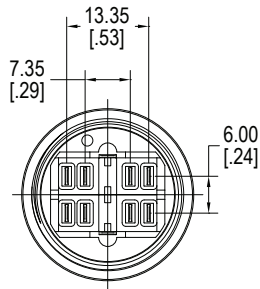
Schematics

25mm - available in Single Pole & Double Pole

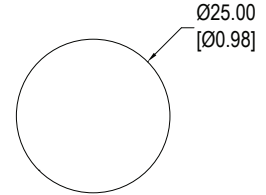
Double Pole



Schematic



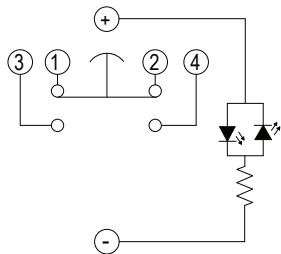
Bottom View



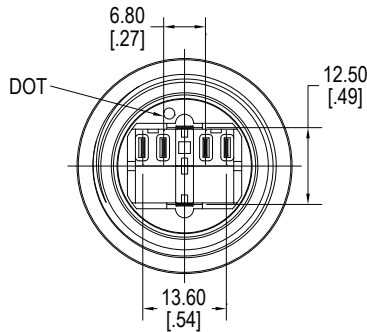
Panel Cut-Out

30mm - available in Single Pole & Double Pole

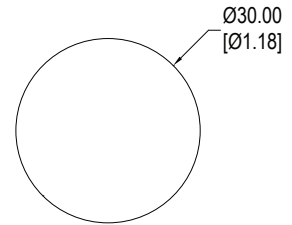
Single Pole



Schematic

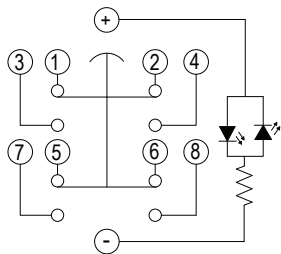


Bottom View

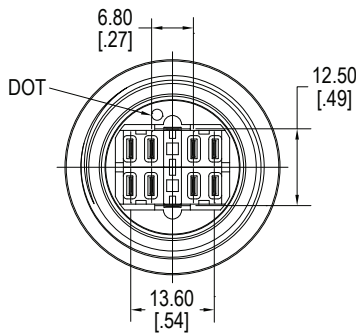


Panel Cut-Out

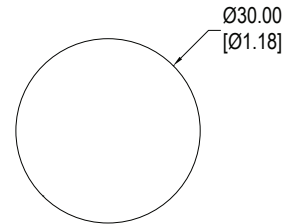
Double Pole



Schematic

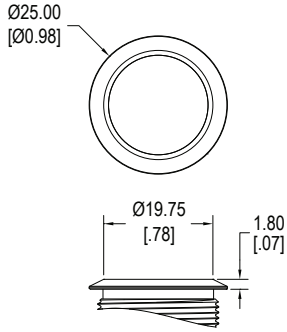


Bottom View

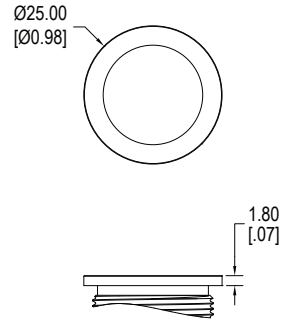


Panel Cut-Out

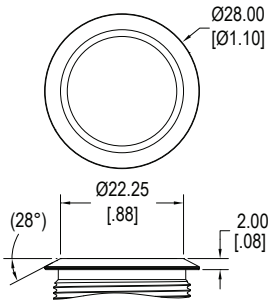
Bezel Detail



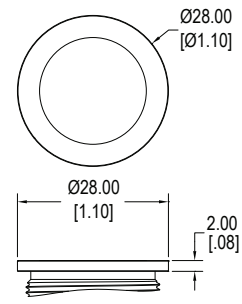
22mm Standard



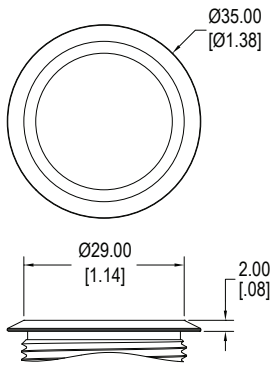
22mm Flat



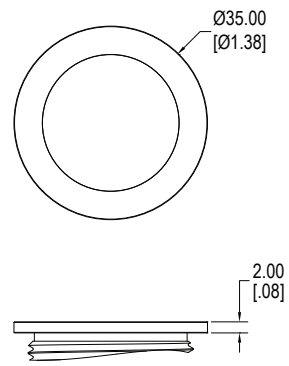
25mm Standard



25mm Flat

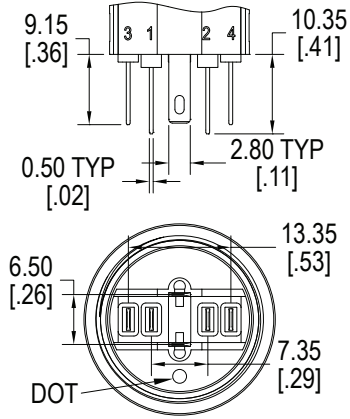


30mm Standard

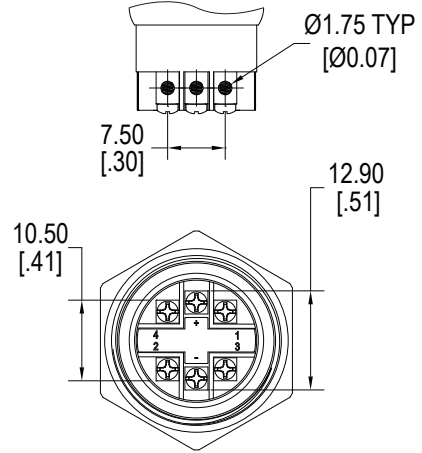


30mm Flat

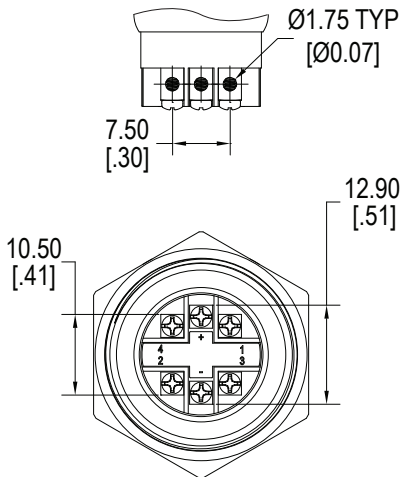
Terminal Options



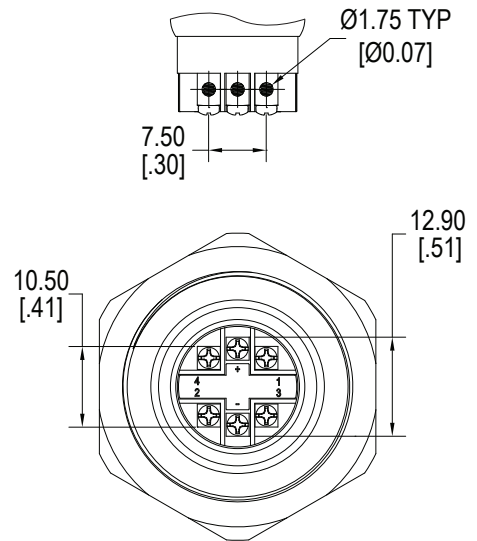
Quick Connect - standard



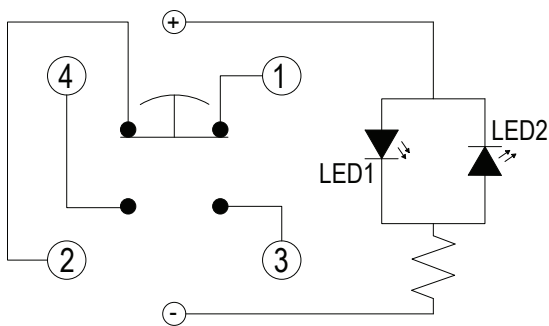
Screw Terminals - 22mm



Screw Terminals - 25mm

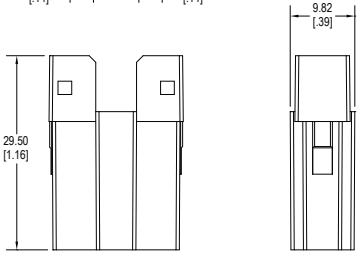
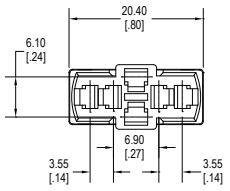


Screw Terminals - 30mm

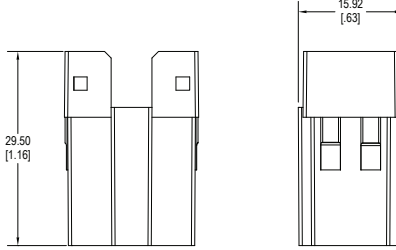
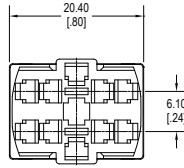


Screw Terminal Schematic

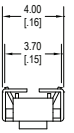
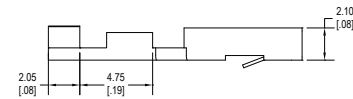
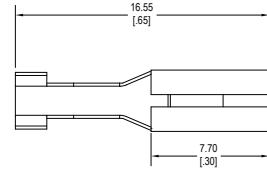
Optional Terminal Block



SS2001



SS2203



SS Terminal

LED Characteristics

LED Ratings		Color						Units
		R	Y	G	B	O	W	
Reverse Voltage	V_R	5	5	5	5	5	5	V
Forward Current (peak)	I_{FS}	120	120	160	160	120	160	mA
Reverse Current $V_R = 5V$	I_R	10	10	10	10	10	10	μA
Power Dissipation	P_T	80	80	120	120	80	120	mW
Forward Voltage (typ) $I_F = 20mA$	V_F	2.1	2.1	3.3	3.3	2.0	3.0	V
Luminous Intensity, $I_F = 20mA$	LI	120	120	170	100	120	700	mcd