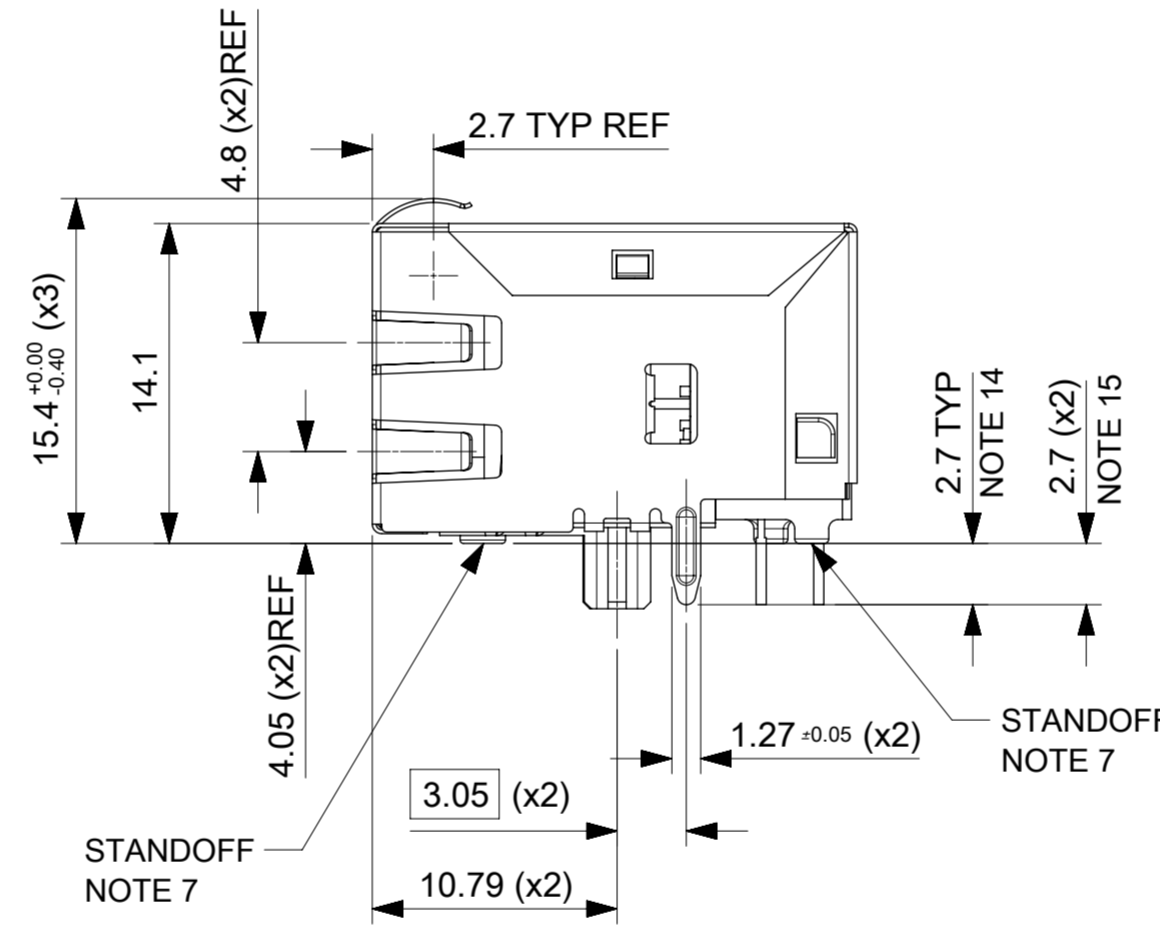
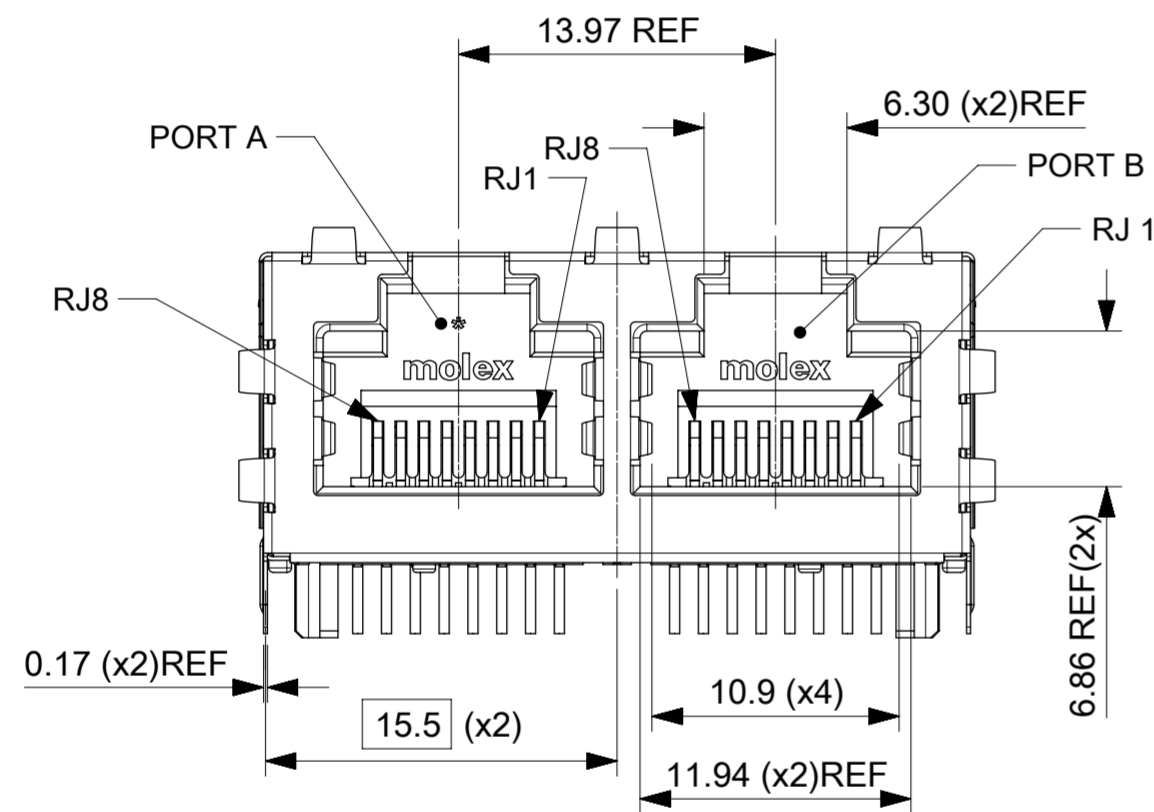
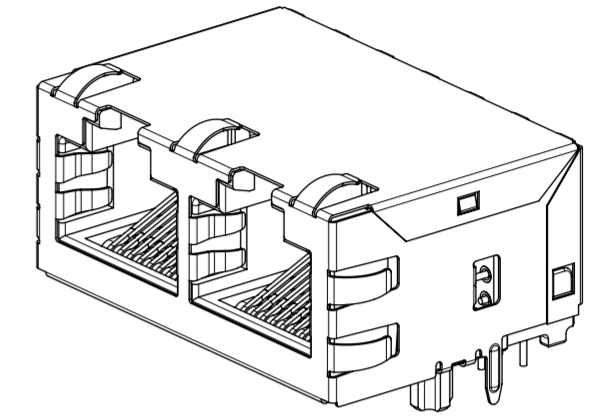
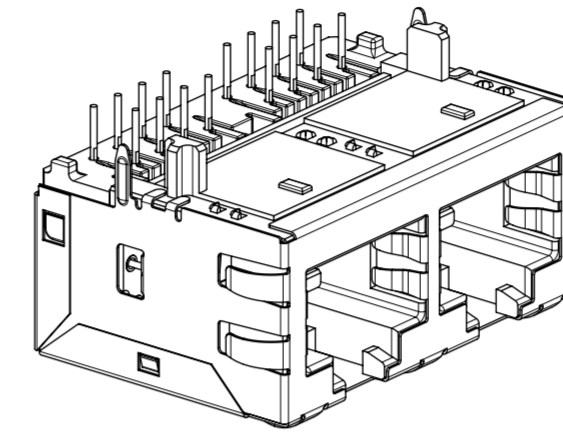


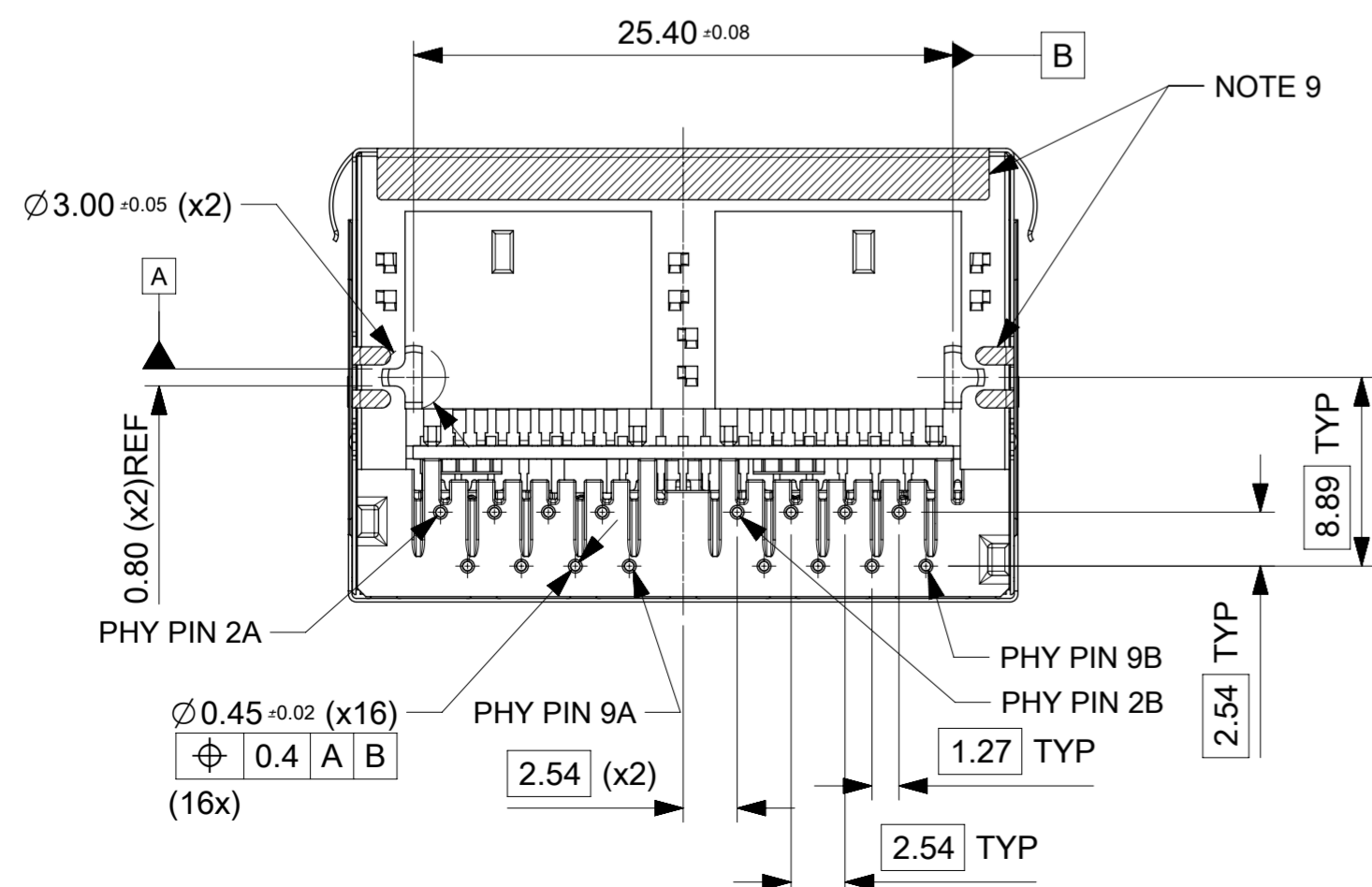
PART NUMBER 938258020



INVERTED PROFILE DUAL PORT MAGNETIC JACK
FAST ETHERNET
WITHOUT LED
WITH SHIELD TABS

NOTES:

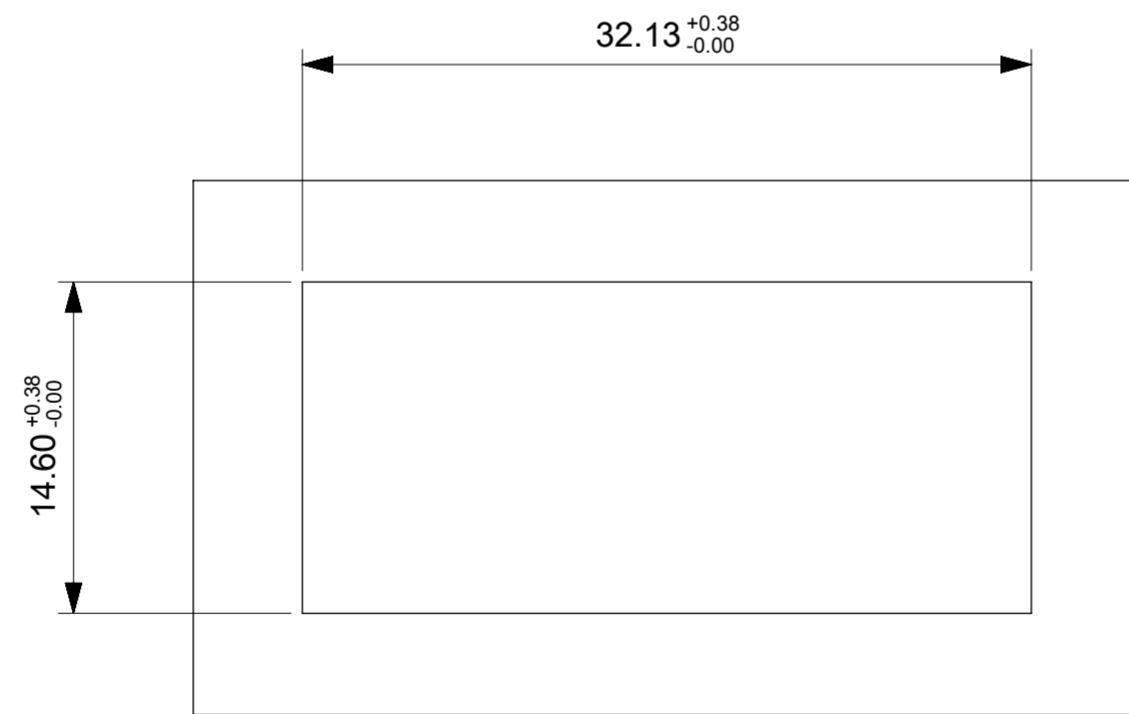
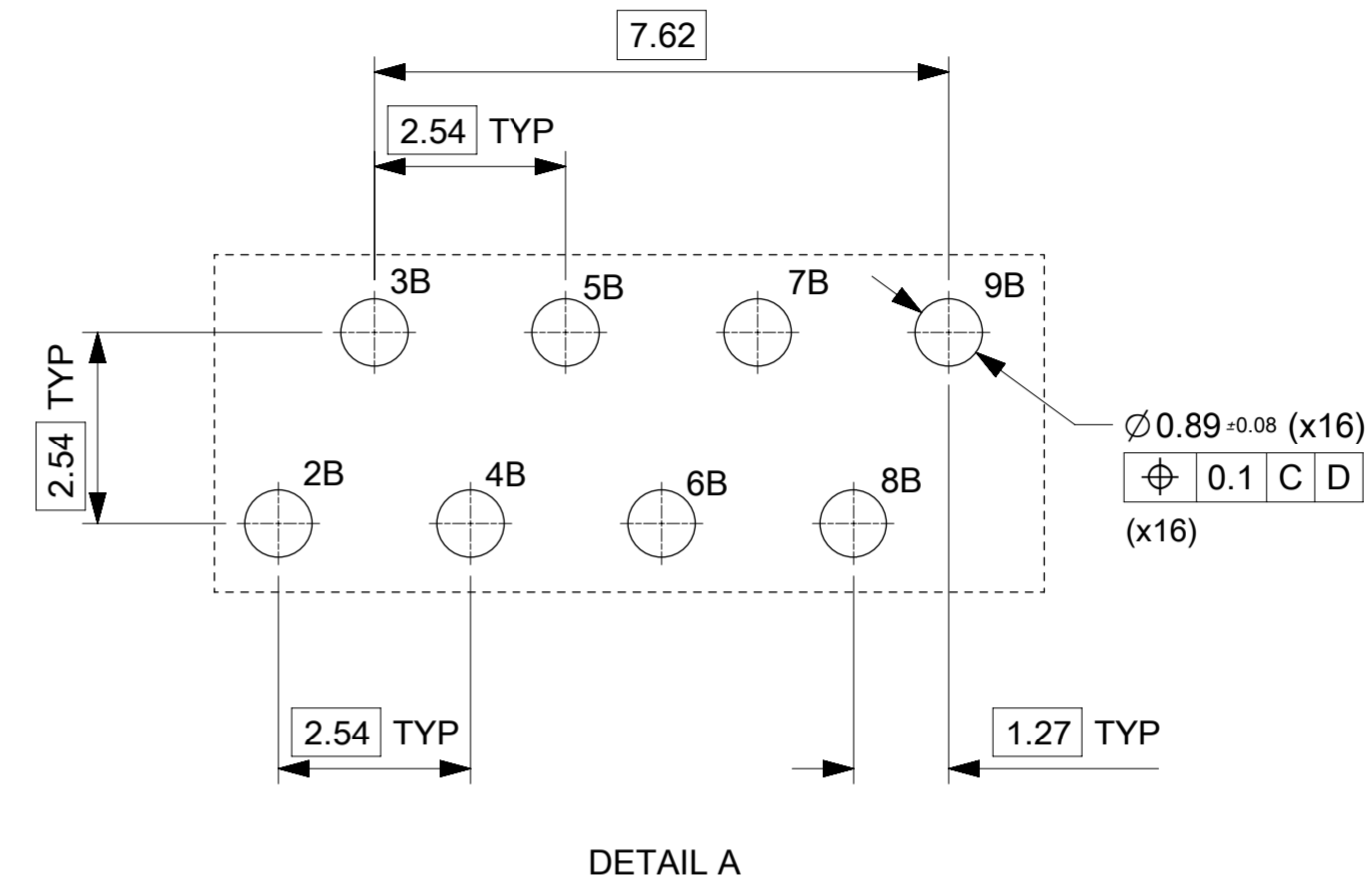
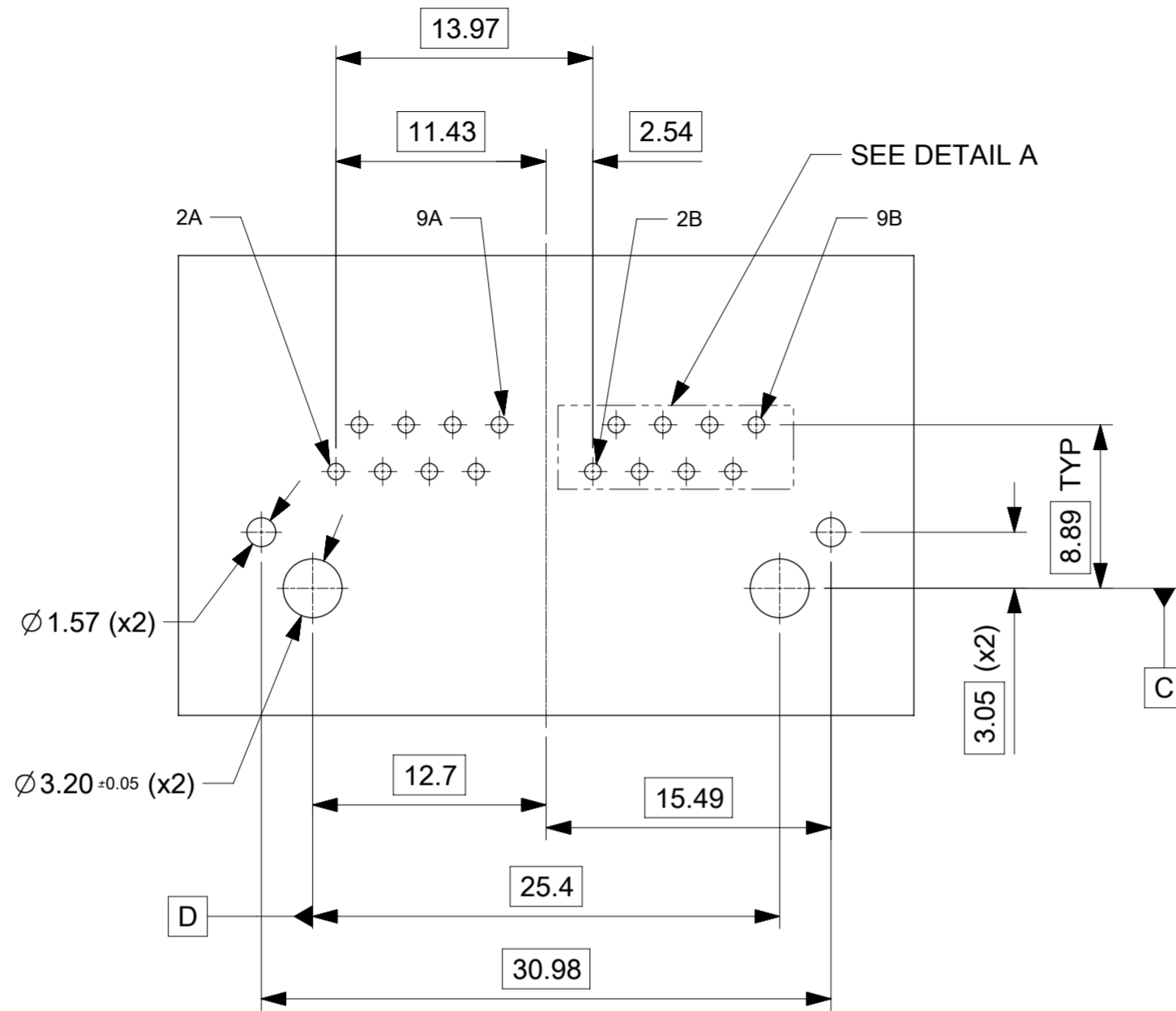
- SHIELD MATERIAL: 0.17 mm THICK BRASS PRE-PLATED WITH NICKEL
SOLDER TABS POST DIPPED WITH MIN 1.27 μm TIN
- HOUSING MATERIAL: LCP, BLACK, UL 94V-0
- TERMINALS: PHOSPHOR BRONZE
RJ45 CONTACTS PLATING: BASE NICKEL WITH GOLD
FLASH OVER PALLADIUM NICKEL. REFER TO 934620001 PSP
PHY SOLDER TAILS: COPPER ALLOY.
- MATING INTERFACE ACCORDING TO IEC 60603-7 & TIA-1096-A
- PRODUCT SPECIFICATION: 934620001 PSP
- PACKAGING SPECIFICATION: 938240001 PSK TRAY
- STAND OFF TO SYSTEM BOARD 0.30 mm MIN
- RECOMMENDED PCB THICKNESS: 1.6 mm
- SHIELD: AVOID ROUTING TRACES
OR PLACING ANY VIAS BELOW THESE AREAS.
- FE VERSIONS DO NOT HAVE PINS 1A, 10A, 1B, 10B
- MATERIAL COMPLIANT TO RoHS DIRECTIVE 2002/95/EC
- INSCRIPTION MARKED BY LASER:
1st: MOLEX
2nd: PART NUMBER
- INSCRIPTION MARKED BY LASER:
DATE CODE (DAY/WEEK/YEAR)
- PHY PIN LENGTH
- SHIELD SOLDER TAB LENGTH



THIS DRAWING CONTAINS INFORMATION THAT IS PROPRIETARY TO MOLEX ELECTRONIC TECHNOLOGIES, LLC AND SHOULD NOT BE USED WITHOUT WRITTEN PERMISSION

ORIGINAL RELEASE EC NO: 123046 DRWN: DSHEA CHKD: SMC GREEVY REV: APPR: DBYRNES	2017/10/17	2017/10/23	2017/11/07	GENERAL TOLERANCES (UNLESS SPECIFIED)	DIMENSION UNITS	SCALE		
				mm	3:1	MXMAG DUAL PORT 6C FE IND W/O LED		
				ANGULAR TOL ± 2.0 °	DRWN BY	DATE		
				4 PLACES ±	DSHEA	2017/02/10		
			3 PLACES ±	CHK'D BY	DATE		PRODUCT CUSTOMER DRAWING SERIES: 93825 MATERIAL NUMBER: SEE CHART CUSTOMER: GENERAL MARKET DOCUMENT NUMBER: 938250001 DOC TYPE: PSD DOC PART: 000 SHEET NUMBER: 1 OF 3	
			2 PLACES ± 0.1	SMC GREEVY	2017/10/23			
			1 PLACE ± 0.2	APPR BY	DATE			
			0 PLACES ±	DBYRNES	2017/11/07			
DRAFT WHERE APPLICABLE MUST REMAIN WITHIN DIMENSIONS				DRAWING SIZE	THIRD ANGLE PROJECTION			
A				A2				

RECOMMENDED PCB LAYOUT
 FE VERSION W/O LED
 COMPONENT SIDE
 ALL DIMENSIONS REF DIMENSIONS



SUGGESTED PANEL CUTOUT

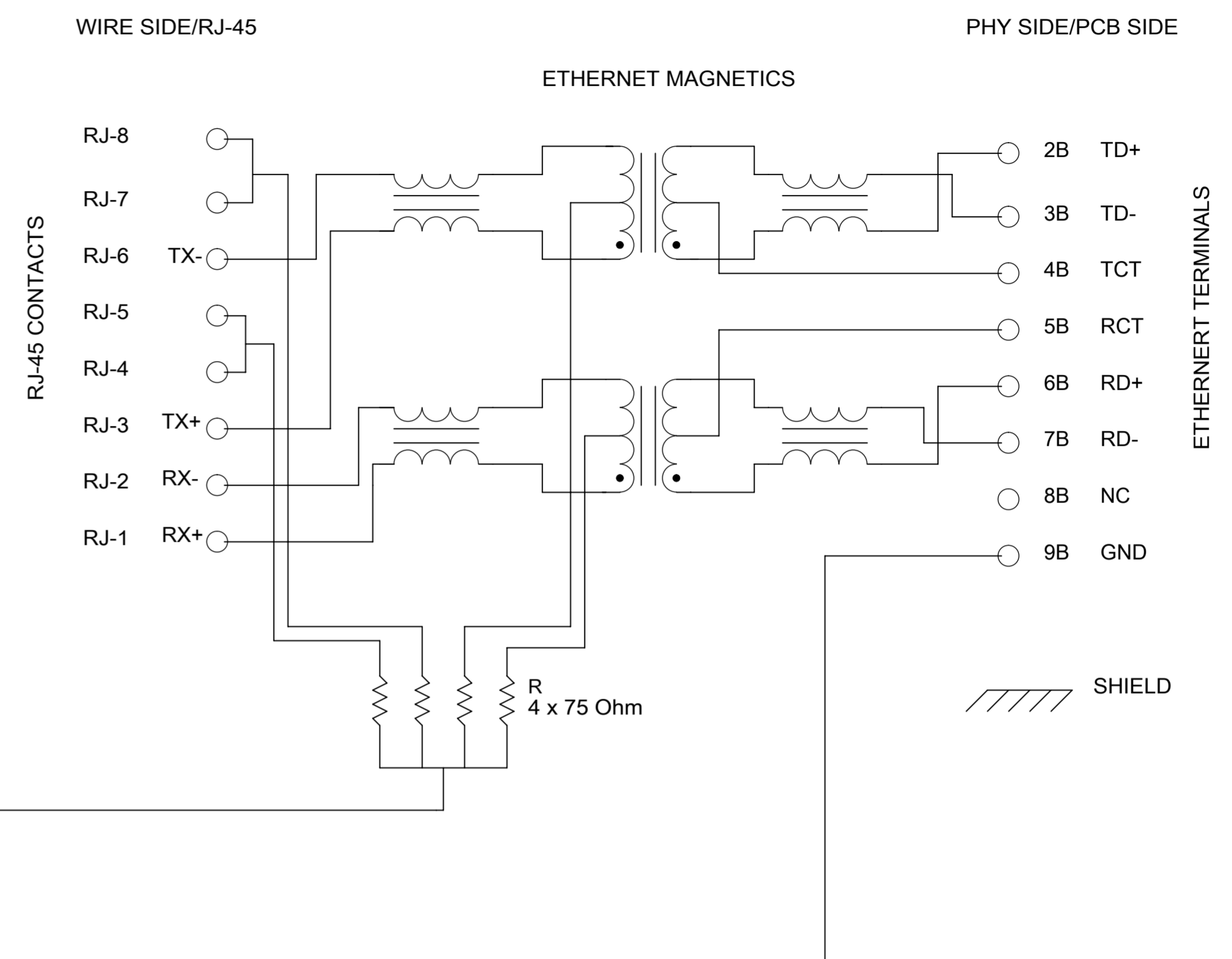
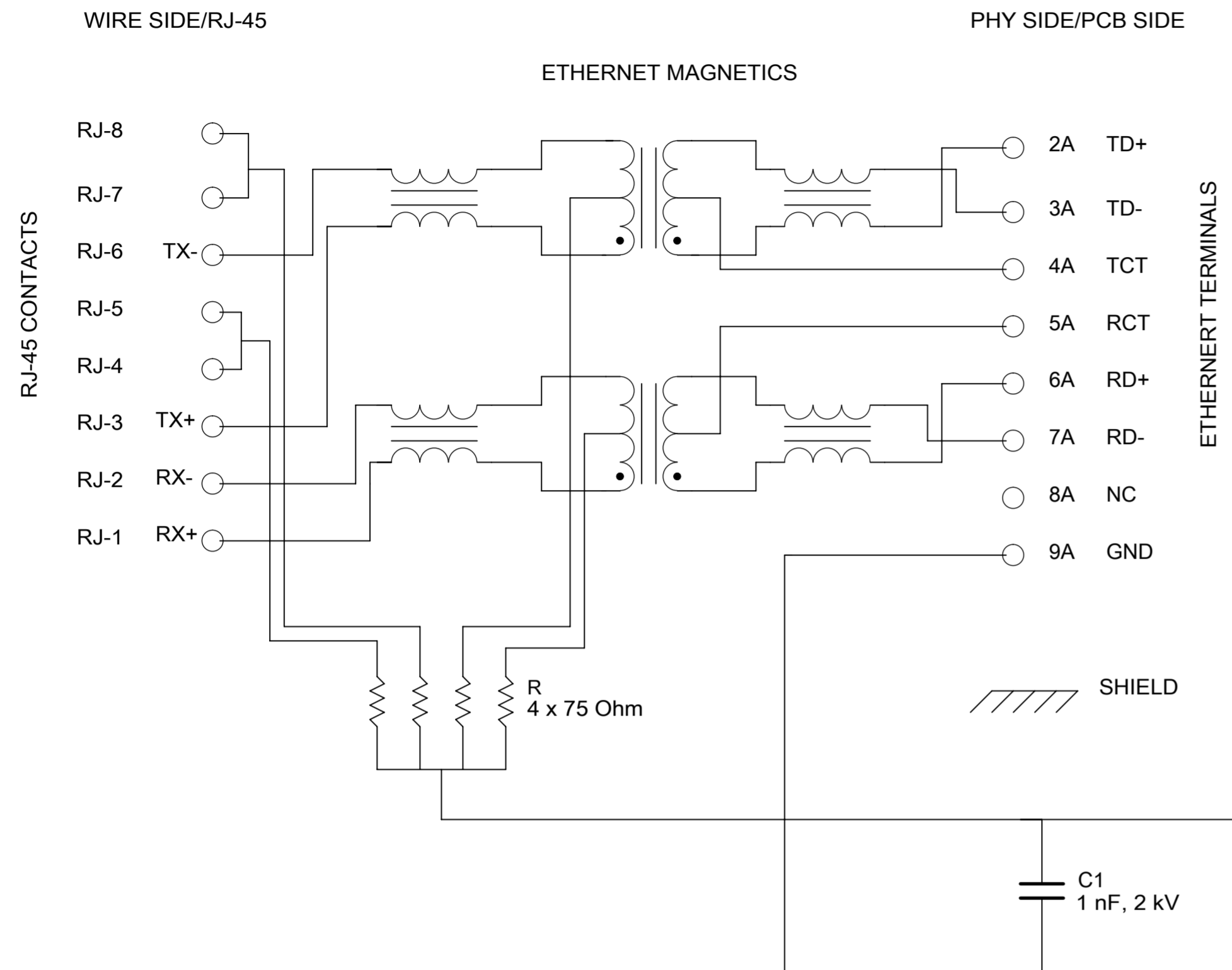
THIS DRAWING CONTAINS INFORMATION THAT IS PROPRIETARY TO MOLEX ELECTRONIC TECHNOLOGIES, LLC AND SHOULD NOT BE USED WITHOUT WRITTEN PERMISSION

ORIGINAL RELEASE EC NO: 123046 DRWN: DSHEA CHKD: SMCGREEVY REV: A	2017/10/17	2017/10/23	2017/11/07	GENERAL TOLERANCES (UNLESS SPECIFIED) ANGULAR TOL ± 2.0 ° 4 PLACES ± 3 PLACES ± 2 PLACES ± 0.1 1 PLACE ± 0.2 0 PLACES ± DRAFT WHERE APPLICABLE MUST REMAIN WITHIN DIMENSIONS	DIMENSION UNITS mm	SCALE 1:1		
	DRWN BY DSHEA	DATE 2017/02/10	DATE 2017/10/23		DATE 2017/11/07	DRWN BY DATE		DATE
	CHK'D BY SMCGREEVY	DATE 2017/10/23	DATE 2017/11/07		DATE 2017/10/23	DATE 2017/11/07		DATE 2017/10/23
	APPR BY DBYRNES	DATE 2017/11/07	DATE 2017/11/07		DATE 2017/11/07	DATE 2017/11/07		DATE 2017/11/07
DRAWING SIZE A2	THIRD ANGLE PROJECTION	SERIES 93825		MATERIAL NUMBER SEE SHEET 1		CUSTOMER GENERAL MARKET		
DOCUMENT NUMBER 938250001		DOC TYPE PSD	DOC PART 000	SHEET NUMBER 2 OF 3				

RELEASE STATUS	P1	RELEASE DATE	07.11.2017	10:13:20
----------------	----	--------------	------------	----------

PORT A

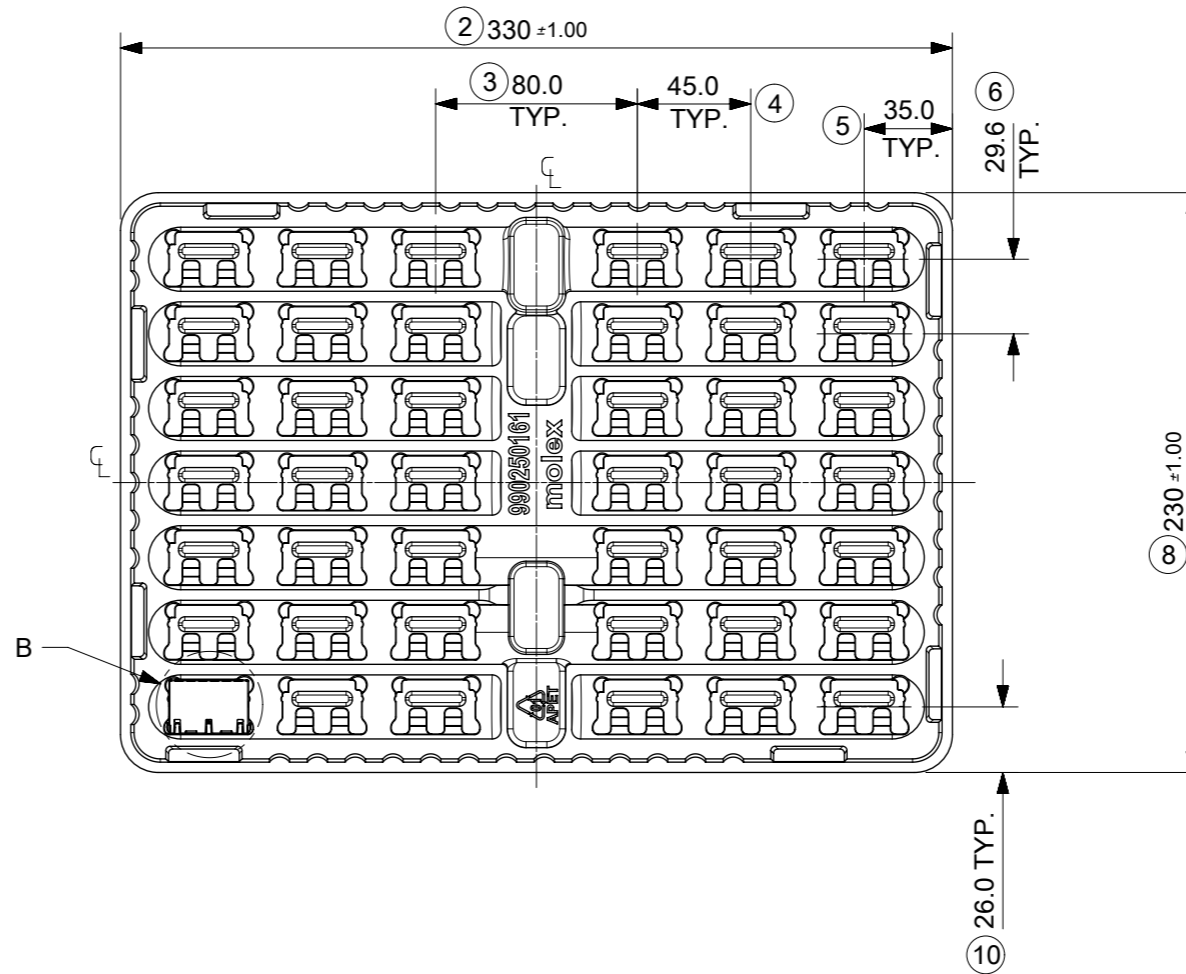
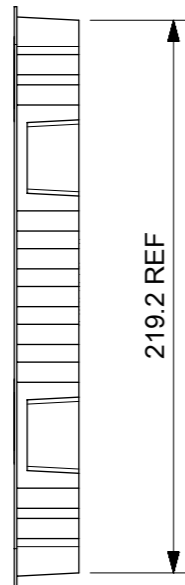
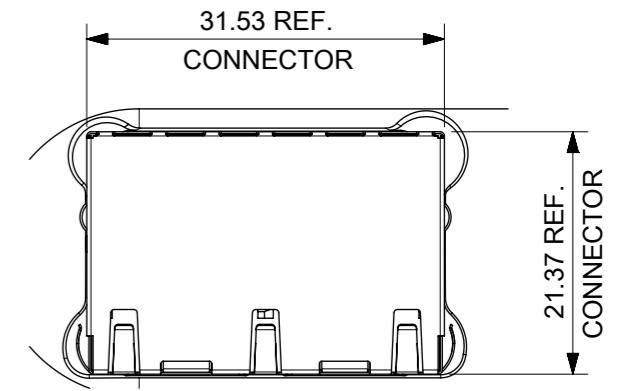
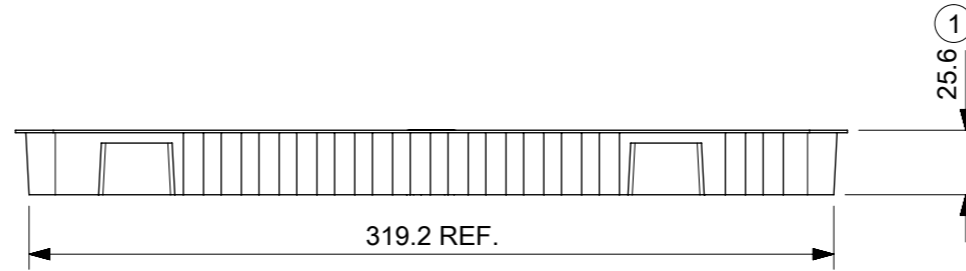
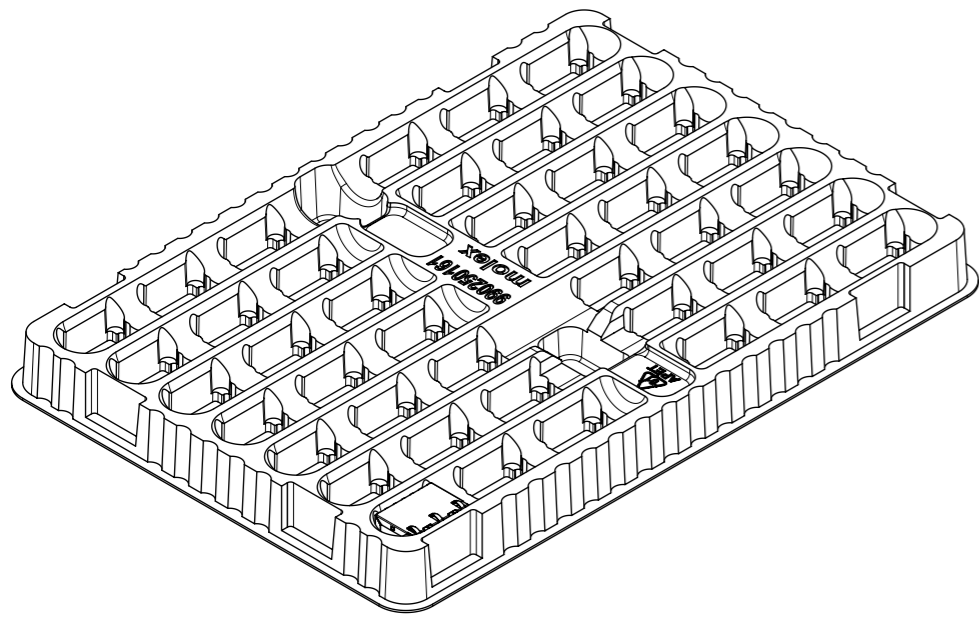
PORT B



Description	Value	
OCL @100 kHz, 0.1 V, 8 mA DC bias (-40°C to +85°C)	350 µH min.	
Turns ratio	1CT:1CT	
Transmission characteristics @ 25°C, all four pairs		
Insertion Loss		
Frequency f, (MHz)	Limits (dB max.)	Typical Values (dB max.)
1.0-9.9	0.4+0.1*log(f)	0.5 @ 10 MHz
10-49.9	0.5+0.3*log(f/10)	0.7 @ 50 MHz
50-79.9	1+1.4*log(f/80)	1.0 @ 80 MHz
80-100	1.3+3*log(f/100)	1.3 @ 100 MHz
Return Loss		
Frequency f, (MHz)	Limits (dB min.)	Typical Values (dB min.)
1.0-39.9	18	18 @ 40 MHz
40-100	12-20*log(f/80)	10 @ 100 MHz
CMR		
Frequency f, (MHz)	Limits (dB min.)	Typical Values (dB min.)
1.0-100	30	30 @ 100 MHz
NEXT		
Frequency f, (MHz)	Limits (dB min.)	Typical Values (dB min.)
1.0-39.9	35	35 @ 40 MHz
40-100	33-20*log(f/50)	27 @ 100 MHz
Isolation PHY to wire side	2.25 kVDC/60sec	

THIS DRAWING CONTAINS INFORMATION THAT IS PROPRIETARY TO MOLEX ELECTRONIC TECHNOLOGIES, LLC AND SHOULD NOT BE USED WITHOUT WRITTEN PERMISSION

ORIGINAL RELEASE EC NO: 123046 DRWN: DSHEA CHKD: SMCGREEVY REV: A	2017/10/17	2017/10/23	2017/11/07	GENERAL TOLERANCES (UNLESS SPECIFIED) mm SCALE 1:1 ANGULAR TOL ± 2.0 ° 4 PLACES ± 3 PLACES ± 2 PLACES ± 0.1 1 PLACE ± 0.2 0 PLACES ± DRAWING SIZE A2 THIRD ANGLE PROJECTION		MXMAG DUAL PORT 6C FE IND W/O LED PRODUCT CUSTOMER DRAWING	SERIES	MATERIAL NUMBER	CUSTOMER		
	DRWN BY	DATE	CHK'D BY				DATE	93825	SEE SHEET 1	GENERAL MARKET	
	APPR BY	DATE	DOCUMENT NUMBER				DOC TYPE	DOC PART	SHEET NUMBER		
	DRAFT WHERE APPLICABLE MUST REMAIN WITHIN DIMENSIONS						938250001		PSD	000	3 OF 3



NOTES:

1. MATERIAL: PETA ANTISTATIC
2. THICKNESS: 0.9 mm REF
3. COLOUR: CLEAR
4. BOW 2 mm MAXIMUM PER 330 mm
5. TWIST 2 mm MAXIMUM PER 330 mm
6. TRAY PART NO. AND RECYCLE LOGO TO BE CLEARLY MARKED ON TRAY
RECYCLE LOGO SHOULD BE APPROPRIATE TO MATERIAL USED
7. WHERE RELEVANT, DIMENSIONS SHOULD BE SYMMETRICAL ABOUT THE CENTRELINE
8. GENERAL PROFILE TOLERANCE $\frac{\text{R}}{0.40}$ ON NON DIMENSIONED FEATURES
9. PACKAGING SPECIFICATION: 938240001 PSK

DIMENSION NUMBERS DELETED: 7, 9, 11, 12
LAST INSPECTION NUMBER USED: 10

THIS DRAWING CONTAINS INFORMATION THAT IS PROPRIETARY TO MOLEX ELECTRONIC TECHNOLOGIES, LLC AND SHOULD NOT BE USED WITHOUT WRITTEN PERMISSION

ORIGINAL RELEASE EC NO: 123046 DRWN: DSHEA CHK'D: SMCGREEVY APPR: DBYRNES	2017/10/17 2017/10/23 2017/11/07	GENERAL TOLERANCES (UNLESS SPECIFIED) ANGULAR TOL $\pm 1.0^\circ$		DIMENSION UNITS mm	SCALE 1:3			
	4 PLACES \pm 3 PLACES \pm 2 PLACES ± 0.2 1 PLACE ± 0.5 0 PLACES \pm		DRWN BY SMCGREEVY	DATE 2017/06/15	MXMAG DUAL PORT TRAY			
	DRAFT WHERE APPLICABLE MUST REMAIN WITHIN DIMENSIONS		CHK'D BY SMCGREEVY	DATE 2017/10/23				PRODUCT CUSTOMER DRAWING
	DRAWING SIZE A3	THIRD ANGLE PROJECTION 	APPR BY DBYRNES	DATE 2017/11/07	SERIES 99025	MATERIAL NUMBER 990250150	CUSTOMER GENERAL MARKET	
A		REV		DOCUMENT NUMBER 990250161		DOC TYPE PSD	DOC PART 000	SHEET NUMBER 1 OF 1

RELEASE STATUS	P1	RELEASE DATE	07.11.2017	10:13:22
----------------	----	--------------	------------	----------