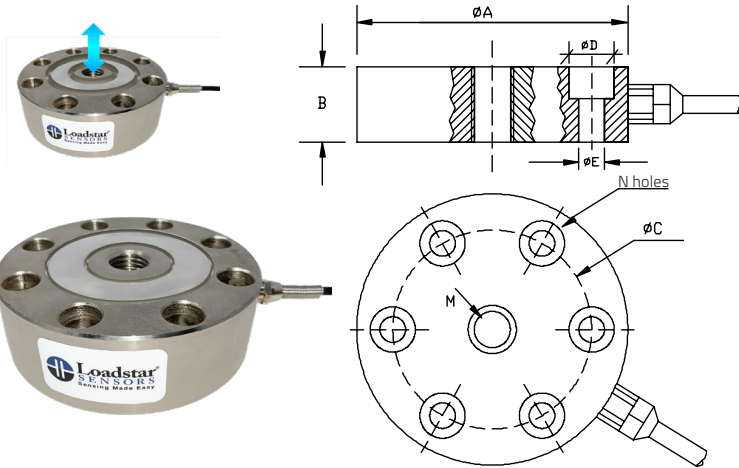


RSB6 Low Profile Pancake Load Cell



Capacity	250 - 500 kg	1000-2500 kg	5000 kg
A	75	90	140
B	25	25	45
C	57	66	115
D	11	15	18
E	6.5	8.5	11
M	M10x1.5	M12x1.75	M24x3
N	6 holes	6 holes	8 holes

(All dimensions in mm)

Accuracy Specifications

Accuracy	
Non-linearity	± 0.05% of Full Scale
Hysteresis	± 0.05% of Full Scale
Non-repeatability	± 0.03% of Full Scale

Load Cell Specifications

Zero Balance	2% of Full Scale
Safe Overload	150% of Full Scale
Ultimate Overload	300% of Full Scale
Connections	φ 5 x 2000 mm (6.5ft.)
Input Impedance	750 ± 30 Ω
Output Impedance	700 ± 5 Ω
Insulation	≥ 2000 M Ω / 50 V DC
Rated Excitation	5 - 10 VDC
Operating Temperature Range	-20 to 60 °C with TARE
Compensated Temperature Range	-10 to 40 °C with TARE
Temperature Effect on Zero	0.02% of F.S / 10 °C
Temperature Effect on Span	0.02% of F.S / 10 °C

Recommended Interfaces



USB Interface

1 Channel:
DI-100U (40 Hz)
DI-100UHS (250 Hz)
DI-1000U (60 Hz)
DI-1000UHS (500 Hz)
DI-10000UHS-1K (1 KHz)
DI-1000UHS-10K (50 KHz)

4 Channel:
DI-400U (40 Hz)
DI-400UHS (250 Hz)



Wireless Interface

DI-1000ZP
DI-1000WIFI
DI-1000BLE



Analog Interface

AI-1000 (0-5 VDC)
AI-1000CV (0-5 VDC, 4-20 mA)



Touchscreen Display

DS-3000Pro-1 (1 Channel)
DS-3000Pro-4 (4 Channel)

Wiring Information

Cable Color Code	
Red	+ Excitation
Black	- Excitation
Green	+ Signal
White	- Signal

Ordering Information

Capacity	Part No.
250 Kg	RSB6-250M-S
500 Kg	RSB6-500M-S
1000 Kg	RSB6-01KM-S
2500 Kg	RSB6-2HKM-S
5000 Kg	RSB6-05KM-S

Calibration Options

*C01	Compression
*C02	Tension
*C03	Universal

RAL1 Load Cell

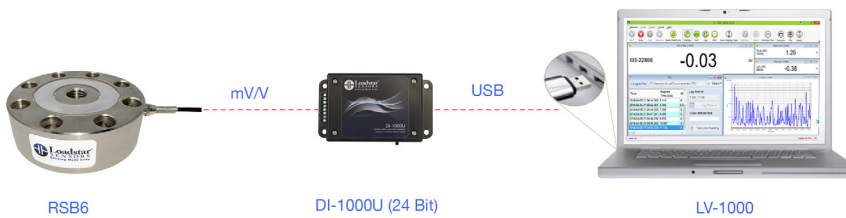
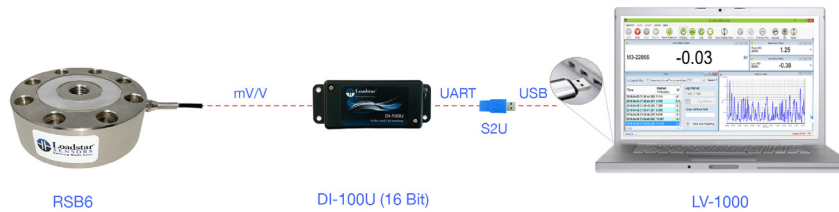


For higher capacities up to 100K lbs.,
checkout our RAL1 load cell.

Wireless Load Cell Configuration



USB Load Cell Configuration



Analog Load Cell Configuration



Load Cell with LED Display

