

## FEATURES

- Differential or single-ended voltage DAC output
- 114 dB DAC dynamic range, A-weighted, differential
- 97 dB total harmonic distortion plus noise (THD + N), differential
- 110 dB DAC dynamic range, A-weighted, single-ended
- 95 dB THD + N, single-ended
- 2.5 V digital and 3.3 V analog and input/output (I/O) supplies
- 249 mW total quiescent power
- Phase-locked loop (PLL) generated or direct master clock
- Low electromagnetic interference (EMI) design
- Linear regulator driver to generate digital supply
- Supports 24-bit and 32 kHz to 192 kHz sample rates
- Low propagation 192 kHz sample rate mode
- Log volume control with autoramp function
- Temperature sensor with digital readout  $\pm 3^{\circ}\text{C}$  accuracy
- SPI and I<sup>2</sup>C controllable for flexibility
- Software-controllable clickless mute
- Software power-down
- Right justified, left justified, I<sup>2</sup>S, and TDM modes
- Master and slave modes with up to 12-channel input/output
- 80-lead LQFP package
- Qualified for automotive applications

## APPLICATIONS

- Automotive audio systems
- Home theater systems
- Digital audio effects processors

## GENERAL DESCRIPTION

The **ADAU1962A** is a high performance, single-chip digital-to-analog converter (DAC) that provides 12 DACs with differential or single-ended outputs using the Analog Devices, Inc., patented multibit sigma-delta ( $\Sigma$ - $\Delta$ ) architecture. A serial peripheral interface (SPI)/I<sup>2</sup>C port is included, allowing a microcontroller to adjust volume and many other parameters. The **ADAU1962A** operates from 2.5 V digital and 3.3 V analog supplies. A linear regulator is included to generate the digital supply voltage from the analog supply voltage. The **ADAU1962A** is available in an 80-lead LQFP.

The **ADAU1962A** is designed for low EMI. This consideration is apparent in both the system and circuit design architectures. By using the on-board PLL to derive the internal master clock from an external left-right frame clock (LRCLK), the **ADAU1962A** can eliminate the need for a separate high frequency master clock and can be used with or without a bit clock. The DACs are designed using the latest Analog Devices continuous time architectures to further minimize EMI. By using 2.5 V digital supplies, power consumption is minimized, and the digital waveforms are a smaller amplitude, further reducing emissions.

Note that throughout this data sheet, multifunction pins, such as SCLK/SCL, are referred to by the entire pin name or by a single function of the pin, for example, SCLK, when only that function is relevant.

## FUNCTIONAL BLOCK DIAGRAM

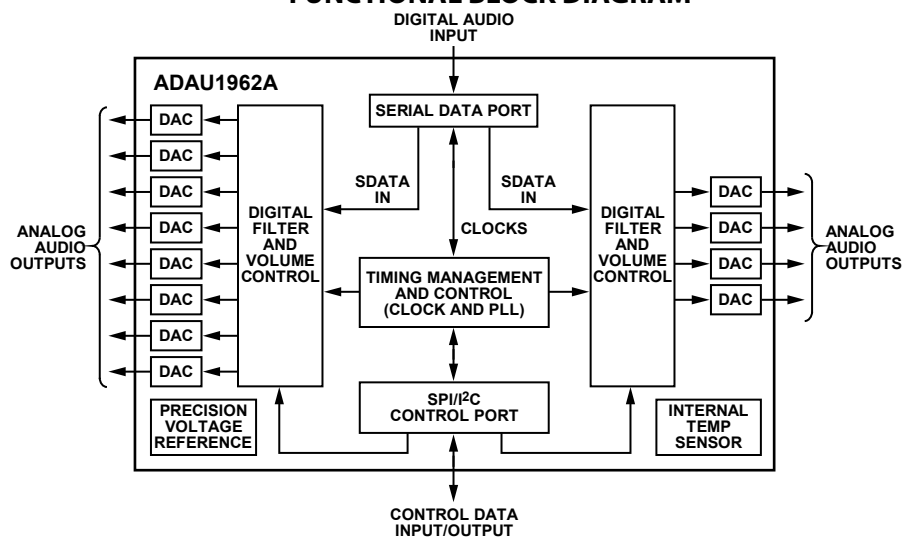


Figure 1.

Rev. A

### Document Feedback

Information furnished by Analog Devices is believed to be accurate and reliable. However, no responsibility is assumed by Analog Devices for its use, nor for any infringements of patents or other rights of third parties that may result from its use. Specifications subject to change without notice. No license is granted by implication or otherwise under any patent or patent rights of Analog Devices. Trademarks and registered trademarks are the property of their respective owners.

One Technology Way, P.O. Box 9106, Norwood, MA 02062-9106, U.S.A.  
 Tel: 781.329.4700 ©2013–2016 Analog Devices, Inc. All rights reserved.  
 Technical Support [www.analog.com](http://www.analog.com)

**TABLE OF CONTENTS**

Features .....	1	PLL and Clock Control 0 Register .....	25
Applications.....	1	PLL and Clock Control 1 Register .....	26
General Description.....	1	Block Power-Down and Thermal Sensor Control 1 Register.....	27
Functional Block Diagram .....	1	Power-Down Control 2 Register .....	28
Revision History .....	2	Power-Down Control 3 Register .....	29
Specifications.....	3	Thermal Sensor Temperature Readout Register .....	29
Analog Performance Specifications: T <sub>A</sub> = 25°C .....	3	DAC Control 0 Register .....	30
Analog Performance Specifications: T <sub>A</sub> = 105°C .....	4	DAC Control 1 Register .....	31
Crystal Oscillator Specifications.....	4	DAC Control 2 Register .....	32
Digital Input/Output Specifications.....	5	DAC Individual Channel Mutes 1 Register .....	33
Power Supply Specifications.....	5	DAC Individual Channel Mutes 2 Register .....	34
Digital Filters.....	6	Master Volume Control Register.....	35
Timing Specifications .....	6	DAC 1 Volume Control Register.....	35
Absolute Maximum Ratings.....	8	DAC 2 Volume Control Register.....	36
Thermal Resistance .....	8	DAC 3 Volume Control Register.....	36
ESD Caution.....	8	DAC 4 Volume Control Register.....	37
Pin Configuration and Function Descriptions.....	9	DAC 5 Volume Control Register.....	37
Typical Performance Characteristics .....	12	DAC 6 Volume Control Register.....	38
Typical Application Circuits.....	13	DAC 7 Volume Control Register.....	38
Theory of Operation .....	14	DAC 8 Volume Control Register.....	39
DACs .....	14	DAC 9 Volume Control Register.....	39
Clock Signals.....	14	DAC 10 Volume Control Register.....	40
Power-Up and Reset.....	16	DAC 11 Volume Control Register.....	40
Standalone Mode.....	16	DAC 12 Volume Control Register.....	41
I <sup>2</sup> C Control Port.....	16	Pad Strength Register.....	41
Serial Control Port: SPI Control Mode .....	19	DAC Power Adjust 1 Register.....	42
Power Supply and Voltage Reference.....	20	DAC Power Adjust 2 Register.....	43
Serial Data Ports—Data Format.....	20	DAC Power Adjust 3 Register.....	44
Time-Division Multiplexed (TDM) Modes.....	21	Outline Dimensions .....	48
Temperature Sensor .....	21	Ordering Guide .....	48
Additional Modes.....	23	Automotive Products.....	48
Register Summary .....	24		
Register Details .....	25		

**REVISION HISTORY**

3/16—Rev. 0 to Rev. A	
Changes to Table 4.....	5

**7/13—Revision 0: Initial Version**

## SPECIFICATIONS

Performance of all channels is identical, exclusive of the interchannel gain mismatch and interchannel phase deviation specifications. Master clock = 12.288 MHz (48 kHz  $f_s$ ,  $256 \times f_s$  mode), input sample rate = 48 kHz, measurement bandwidth = 20 Hz to 20 kHz, word width = 24 bits, load capacitance (digital output) = 20 pF, load current (digital output) =  $\pm 1$  mA or  $1.5 \text{ k}\Omega$  to  $\frac{1}{2}$  DVDD supply, input voltage high = 2.0 V, input voltage low = 0.8 V, analog audio output resistive load =  $3100 \Omega$  per pin, unless otherwise noted.

### ANALOG PERFORMANCE SPECIFICATIONS: $T_A = 25^\circ\text{C}$

Specifications guaranteed at supply voltages of AVDDx = 3.3 V, DVDD = 2.5 V, ambient temperature<sup>1</sup> ( $T_A$ ) =  $25^\circ\text{C}$ , unless otherwise noted.

Table 1.

Parameter	Test Conditions/Comments	Min	Typ	Max	Unit
<b>DIGITAL-TO-ANALOG CONVERTERS</b>					
Dynamic Range (DNR)	20 Hz to 20 kHz, -60 dB input				
No Filter (RMS)	Differential output	105.5	111		dB
With A-Weighted Filter (RMS)	Differential output	108.5	114		dB
No Filter (RMS)	Single-ended output	102.5	107		dB
With A-Weighted Filter (RMS)	Single-ended output	105.5	110		dB
Total Harmonic Distortion + Noise					
Differential Output	Two channels running -1 dBFS		-97	-85	dB
	All channels running -1 dBFS		-97	-85	dB
Single-Ended Output	Two channels running -1 dBFS		-95	-80	dB
	All channels running -1 dBFS		-95	-80	dB
Full-Scale Differential Output Voltage			2.00 (2.83)		V rms (V p-p)
Full-Scale Single-Ended Output Voltage			1.00 (1.41)		V rms (V p-p)
Gain Error		-10		+10	%
Offset Error		-25	-6	+25	mV
Gain Drift		-30		+30	ppm/ $^\circ\text{C}$
Interchannel Isolation			100		dB
Interchannel Phase Deviation			0		Degrees
Volume Control Step			0.375		dB
Volume Control Range			95.25		dB
De-Emphasis Gain Error				$\pm 0.6$	dB
Output Resistance at Each Pin			33		$\Omega$
<b>REFERENCE</b>					
Temperature Sensor Reference Voltage	TS_REF pin		1.50		V
Common-Mode Reference Output	CM pin	1.40	1.50	1.56	V
External Reference Voltage Source	CM pin	1.40	1.50	1.56	V
<b>REGULATOR</b>					
Input Supply Voltage	VSUPPLY pin	3.14	3.3	3.46	V
Regulated Output Voltage	VSENSE pin	2.25	2.50	2.59	V
<b>TEMPERATURE SENSOR</b>					
Temperature Accuracy		-3		+3	$^\circ\text{C}$
Temperature Readout Range		-60		+140	$^\circ\text{C}$
Temperature Readout Step Size			1		$^\circ\text{C}$
Temperature Sample Rate		0.25		6	Hz

<sup>1</sup> Functionally guaranteed at  $-40^\circ\text{C}$  to  $+125^\circ\text{C}$  case temperature.

**ANALOG PERFORMANCE SPECIFICATIONS: T<sub>A</sub> = 105°C**

Specifications guaranteed at supply voltages of AVDDx = 3.3 V, DVDD = 2.5 V, ambient temperature<sup>1</sup> (T<sub>A</sub>) = 105°C, unless otherwise noted.

**Table 2.**

Parameter	Test Conditions/Comments	Min	Typ	Max	Unit
<b>DIGITAL-TO-ANALOG CONVERTERS</b>					
Dynamic Range (DNR)	20 Hz to 20 kHz, –60 dB input				
No Filter (RMS)	Differential output	106.5	110		dB
With A-Weighted Filter (RMS)	Differential output	109.5	113		dB
No Filter (RMS)	Single-ended output	101.5	108		dB
With A-Weighted Filter (RMS)	Single-ended output	104.5	110		dB
Total Harmonic Distortion + Noise					
Differential Output	Two channels running –1 dBFS		–92	–83	dB
	All channels running –1 dBFS		–92	–83	dB
Single-Ended Output	Two channels running –1 dBFS		–90	–80	dB
	All channels running –1 dBFS		–90	–80	dB
Full-Scale Differential Output Voltage			2.00 (2.83)		V rms (V p-p)
Full-Scale Single-Ended Output Voltage			1.00 (1.41)		V rms (V p-p)
Gain Error		–10		+10	%
Offset Error		–25	–6	+25	mV
Gain Drift		–30		+30	ppm/°C
Interchannel Isolation			100		dB
Interchannel Phase Deviation			0		Degrees
Volume Control Step			0.375		dB
Volume Control Range			95.25		dB
De-Emphasis Gain Error				±0.6	dB
Output Resistance at Each Pin			33		Ω
<b>REFERENCE</b>					
Temperature Sensor Reference Voltage	TS_REF pin		1.50		V
Common-Mode Reference Output	CM pin	1.40	1.50	1.56	V
External Reference Voltage Source	CM pin	1.40	1.50	1.56	V
<b>REGULATOR</b>					
Input Supply Voltage	VSUPPLY pin	3.14	3.3	3.46	V
Regulated Output Voltage	VSENSE pin	2.25	2.50	2.55	V
<b>TEMPERATURE SENSOR</b>					
Temperature Accuracy		–3		+3	°C
Temperature Readout Range		–60		+140	°C
Temperature Readout Step Size			1		°C
Temperature Sample Rate		0.25		6	Hz

<sup>1</sup> Functionally guaranteed at –40°C to +125°C case temperature.

**CRYSTAL OSCILLATOR SPECIFICATIONS**

**Table 3.**

Parameter	Min	Typ	Max	Unit
<b>TRANSCONDUCTANCE</b>				
T <sub>A</sub> = 25°C	6.4	7 to 10	14	mmhos
T <sub>A</sub> = 105°C	5.2	7.5 to 8.5	12	mmhos

**DIGITAL INPUT/OUTPUT SPECIFICATIONS**

−40°C < T<sub>A</sub> < +105°C, IOVDD = 3.3 V ± 5%, unless otherwise noted.

Table 4.

Parameter	Test Conditions/Comments	Min	Typ	Max	Unit
DIGITAL INPUT					
High Level Input Voltage (V <sub>IH</sub> )		0.7 × IOVDD			V
Low Level Input Voltage (V <sub>IL</sub> )				0.3 × IOVDD	V
Input Leakage	I <sub>IH</sub> at V <sub>IH</sub> = 3.3 V I <sub>IL</sub> at V <sub>IL</sub> = 0 V			10	μA
				10	μA
INPUT CAPACITANCE				5	pF
DIGITAL OUTPUT					
High Level Output Voltage (V <sub>OIH</sub> )	I <sub>OH</sub> = 1 mA	0.8 × IOVDD			V
Low Level Output Voltage (V <sub>OL</sub> )	I <sub>OL</sub> = 1 mA			0.1 × IOVDD	V

**POWER SUPPLY SPECIFICATIONS**

Table 5.

Parameter	Test Conditions/Comments	Min	Typ	Max	Unit
SUPPLIES					
Voltage	AVDDx DVDD PLLVDD IOVDD VSUPPLY	3.14 2.25 2.25 3.14 3.14	3.3 2.5 2.5 3.3 3.3	3.46 3.46 3.46 3.46 3.46	V V V V V
Analog Current	AVDDx = 3.3 V				
Normal Operation			45		mA
Power-Down			1		μA
Digital Current	DVDD = 2.5 V				
Normal Operation	f <sub>s</sub> = 48 kHz to 192 kHz		30		mA
Power-Down	No MCLK or I <sup>2</sup> S		4		μA
PLL Current	PLLVDD = 2.5 V				
Normal Operation	f <sub>s</sub> = 48 kHz to 192 kHz		5		mA
Power-Down			1		μA
Input/Output Current	IOVDD = 3.3 V				
Normal Operation			4		mA
Power-Down			1		μA
QUIESCENT DISSIPATION—DITHER INPUT					
Operation	MCLK = 256 × f <sub>s</sub> , 48 kHz				
All Supplies	AVDDx = 3.3 V, DVDD/PLLVDD = 2.5 V, IOVDD = 3.3 V		249		mW
Analog Supply	AVDDx = 3.3 V, 12.4 mW per channel		148		mW
Digital Supply	DVDD = 2.5 V		75		mW
PLL Supply	PLLVDD = 2.5 V		13		mW
I/O Supply	IOVDD = 3.3 V		13		mW
Power-Down, All Supplies			0		mW
POWER SUPPLY REJECTION RATIO					
Signal at Analog Supply Pins	1 kHz, 200 mV p-p, differential 20 kHz, 200 mV p-p, differential 1 kHz, 200 mV p-p, single-ended 20 kHz, 200 mV p-p, single-ended		88 85 85 75		dB dB dB dB

**DIGITAL FILTERS**

Table 6.

Parameter	Mode	Factor	Min	Typ	Max	Unit
DAC INTERPOLATION FILTER						
Pass Band	48 kHz mode, typical at 48 kHz	$0.4535 \times f_s$		22		kHz
	96 kHz mode, typical at 96 kHz	$0.3646 \times f_s$	35			kHz
	192 kHz mode, typical at 192 kHz	$0.3646 \times f_s$		70		kHz
Pass-Band Ripple	48 kHz mode, typical at 48 kHz				$\pm 0.01$	dB
	96 kHz mode, typical at 96 kHz				$\pm 0.05$	dB
	192 kHz mode, typical at 192 kHz				$\pm 0.1$	dB
Transition Band	48 kHz mode, typical at 48 kHz	$0.5 \times f_s$		24		kHz
	96 kHz mode, typical at 96 kHz	$0.5 \times f_s$		48		kHz
	192 kHz mode, typical at 192 kHz	$0.5 \times f_s$		96		kHz
Stop Band	48 kHz mode, typical at 48 kHz	$0.5465 \times f_s$		26		kHz
	96 kHz mode, typical at 96 kHz	$0.6354 \times f_s$		61		kHz
	192 kHz mode, typical at 192 kHz	$0.6354 \times f_s$		122		kHz
Stop-Band Attenuation	48 kHz mode, typical at 48 kHz		68			dB
	96 kHz mode, typical at 96 kHz		68			dB
	192 kHz mode, typical at 192 kHz		68			dB
Propagation Delay	48 kHz mode, typical at 48 kHz	$25/f_s$		521		$\mu s$
	96 kHz mode, typical at 96 kHz	$11/f_s$		115		$\mu s$
	192 kHz mode, typical at 192 kHz	$8/f_s$		42		$\mu s$
	192 kHz low propagation delay mode, typical at 192 kHz	$2/f_s$		10		$\mu s$

**TIMING SPECIFICATIONS**

$-40^{\circ}C < T_A < +105^{\circ}C$ , DVDD = 2.5 V  $\pm$  10%, unless otherwise noted.

Table 7.

Parameter	Description	Min	Typ	Max	Unit
INPUT MASTER CLOCK (MCLKI) AND RESET					
$t_{MH}$	Master clock duty cycle, DAC clock source = PLL clock at $256 \times f_s$ , $384 \times f_s$ , $512 \times f_s$ , and $768 \times f_s$	40		60	%
	DAC clock source = direct MCLKI at $512 \times f_s$ (bypass on-chip PLL)	40		60	%
$f_{MCLK}$	MCLKI frequency of the MCLKI/XTALI pin, PLL mode	6.9		40.5	MHz
	Direct MCLKI $512 \times f_s$ mode			27.1	MHz
$f_{BCLK}$	DBCLK pin frequency, PLL mode			27.0	MHz
$t_{PDR}$	Low	15			ns
$t_{PDRR}$	Recovery, reset to active output	300			ms
PLL					
Lock Time	MCLKI input of the MCLKI/XTALI pin			10	ms
	DLRCLK pin input			50	ms
Output Duty Cycle, MCLKO Pin	$256 \times f_s$ VCO clock	40		60	%

Parameter	Description	Min	Typ	Max	Unit
<b>SPI PORT</b>					
f <sub>SCLK</sub>	See Figure 19 SCLK frequency, not shown in Figure 19			10	MHz
t <sub>SCH</sub>	SCLK high	35			ns
t <sub>SCL</sub>	SCLK low	35			ns
t <sub>MOS</sub>	MOSI setup, time to SCLK rising	10			ns
t <sub>MOH</sub>	MOSI hold, time from SCLK rising	10			ns
t <sub>SSS</sub>	$\overline{SS}$ setup, time to SCLK rising	10			ns
t <sub>SSH</sub>	$\overline{SS}$ hold, time from SCLK falling	10			ns
t <sub>SSHIGH</sub>	$\overline{SS}$ high	10			ns
t <sub>MIE</sub>	MISO enable from $\overline{SS}$ falling			30	ns
t <sub>MID</sub>	MISO delay from SCLK falling			30	ns
t <sub>MIH</sub>	MISO hold from SCLK falling, not shown in Figure 19	30			ns
t <sub>MITS</sub>	MISO tristate from $\overline{SS}$ rising			30	ns
<b>I<sup>2</sup>C</b>					
f <sub>SCL</sub>	See Figure 2 and Figure 15 SCL clock frequency			400	kHz
t <sub>SCLL</sub>	SCL low	1.3			μs
t <sub>SCLH</sub>	SCL high	0.6			μs
t <sub>SCS</sub>	Setup time (start condition), relevant for repeated start condition	0.6			μs
t <sub>SCH</sub>	Hold time (start condition), first clock generated after this period	0.6			μs
t <sub>SSH</sub>	Setup time (stop condition)	0.6			μs
t <sub>DS</sub>	Data setup time	100			ns
t <sub>SR</sub>	SDA and SCL rise time			300	ns
t <sub>SF</sub>	SDA and SCL fall time			300	ns
t <sub>BFT</sub>	Bus-free time between stop and start	1.3			μs
<b>DAC SERIAL PORT</b>					
t <sub>DBH</sub>	See Figure 21 DBCLK high, slave mode	10			ns
t <sub>DBL</sub>	DBCLK low, slave mode	10			ns
t <sub>DLS</sub>	DLRCLK setup, time to DBCLK rising, slave mode	10			ns
t <sub>DLH</sub>	DLRCLK hold from DBCLK rising, slave mode	5			ns
t <sub>DLS</sub>	DLRCLK skew from DBCLK falling, master mode	-8		+8	ns
t <sub>DDS</sub>	DSDATAx setup to DBCLK rising	10			ns
t <sub>DDH</sub>	DSDATAx hold from DBCLK rising	5			ns

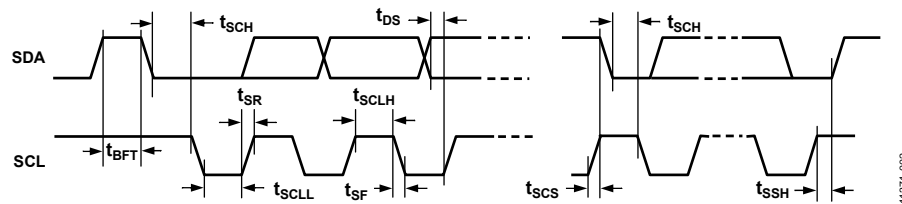


Figure 2. I<sup>2</sup>C Timing Diagram

11371-002

## ABSOLUTE MAXIMUM RATINGS

Table 8.

Parameter	Rating
Analog (AVDDx)	-0.3 V to +3.6 V
Input/Output (IOVDD)	-0.3 V to +3.6 V
Digital (DVDD)	-0.3 V to +3.6 V
PLL (PLLVD)	-0.3 V to +3.6 V
VSUPPLY	-0.3 V to +3.6 V
Input Current (Except Supply Pins)	±20 mA
Analog Input Voltage (Signal Pins)	-0.3 V to AVDDx + 0.3 V
Digital Input Voltage (Signal Pins)	-0.3 V to DVDD + 0.3 V
Operating Temperature Range (Case)	-40°C to +125°C
Storage Temperature Range	-65°C to +150°C

Stresses at or above those listed under Absolute Maximum Ratings may cause permanent damage to the product. This is a stress rating only; functional operation of the product at these or any other conditions above those indicated in the operational section of this specification is not implied. Operation beyond the maximum operating conditions for extended periods may affect product reliability.

## THERMAL RESISTANCE

$\theta_{JA}$  represents junction-to-ambient thermal resistance, and  $\theta_{JC}$  represents the junction-to-case thermal resistance. All characteristics are for a 4-layer board with a solid ground plane.

Table 9. Thermal Resistance

Package Type	$\theta_{JA}$	$\theta_{JC}$	Unit
80-Lead LQFP	42.3	10.0	°C/W

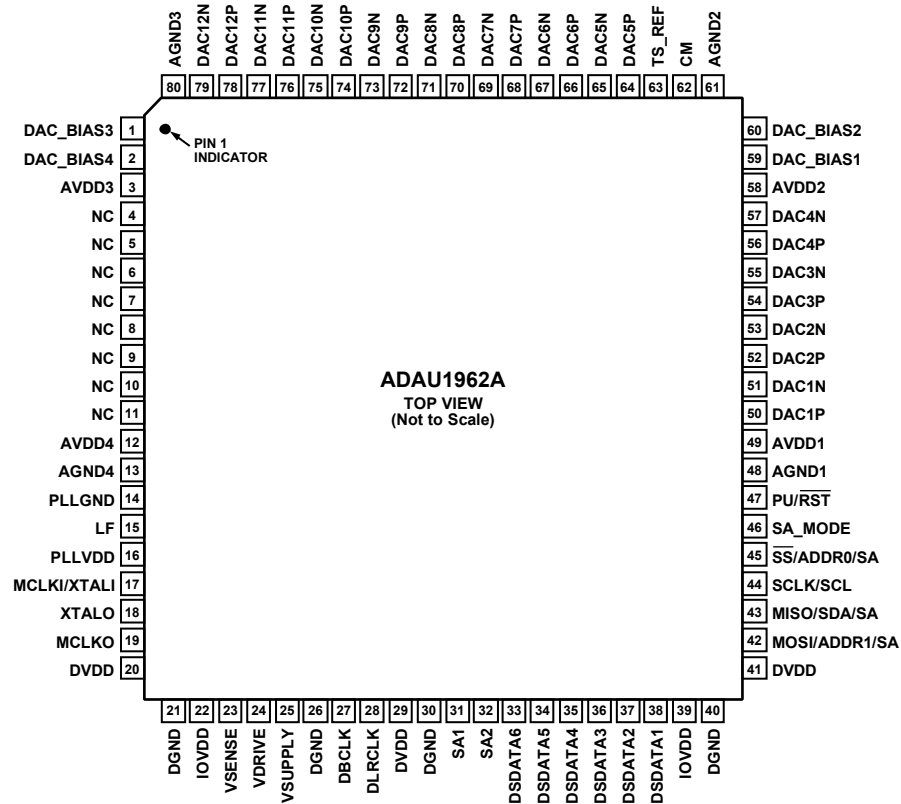
## ESD CAUTION



**ESD (electrostatic discharge) sensitive device.** Charged devices and circuit boards can discharge without detection. Although this product features patented or proprietary protection circuitry, damage may occur on devices subjected to high energy ESD. Therefore, proper ESD precautions should be taken to avoid performance degradation or loss of functionality.



# PIN CONFIGURATION AND FUNCTION DESCRIPTIONS



- NOTES**  
 1. NC = NO CONNECT. DO NOT CONNECT TO THIS PIN.  
 2. SEE THE STANDALONE MODE SECTION (TABLE 13 AND TABLE 14) FOR THE SA\_MODE SETTINGS FOR PIN 31, PIN 32, PIN 42, PIN 43, AND PIN 45.

11371-003

Figure 3. Pin Configuration

Table 10. Pin Function Descriptions

Pin No.	Mnemonic <sup>1,2</sup>	Type <sup>3</sup>	Description
1	DAC_BIAS3	I	DAC Bias 3. AC couple with a 470 nF to AGND3.
2	DAC_BIAS4	I	DAC Bias 4. AC couple with a 470 nF to AVDD3.
3	AVDD3	PWR	Analog Power.
4 to 11	NC	NC	No Connect. Do not connect to these pins.
12	AVDD4	PWR	Analog Power.
13	AGND4	GND	Analog Ground.
14	PLLGND	GND	PLL Ground.
15	LF	O	PLL Loop Filter. Reference the LF pin to PLLVDD.
16	PLLVDD	PWR	PLL Power. Apply 2.5 V to power the PLL.
17	MCLKI/XTALI	I	Master Clock Input/Input to Crystal Inverter. This is a multifunction pin.
18	XTALO	O	Output from Crystal Inverter.
19	MCLKO	O	Master Clock Output.
20, 29, 41	DVDD	PWR	Digital Power, 2.5 V.
21, 26, 30, 40	DGND	GND	Digital Ground.
22, 39	IOVDD	PWR	Power for Digital Input and Output Pins, 3.3 V.
23	VSENSE	I	2.5 V Regulator Output, Pass Transistor Collector. Bypass VSENSE with a 10 μF capacitor in parallel with a 100 nF capacitor.
24	VDRIVE	O	Pass Transistor Base Driver.

Pin No.	Mnemonic <sup>1,2</sup>	Type <sup>3</sup>	Description
25	VSUPPLY	I	3.3 V Voltage Regulator Input, Pass Transistor Emitter. Bypass VSUPPLY with a 10 $\mu$ F capacitor in parallel with a 100 nF capacitor.
27	DBCLK	I/O	Bit Clock for DACs.
28	DLRCLK	I/O	Frame Clock for DACs.
31	SA1	I	Standalone Mode, Time Domain Multiplexed (SA_MODE TDM) State. See the Standalone Mode section, Table 13, and Table 14 for more information.
32	SA2	I	Standalone Mode, Time Domain Multiplexed (SA_MODE TDM) State. See the Standalone Mode section, Table 13, and Table 14 for more information.
33	DSDATA6	I	DAC11 and DAC 12 Serial Data Input.
34	DSDATA5	I	DAC9 and DAC 10 Serial Data Input.
35	DSDATA4	I	DAC7 and DAC 8 Serial Data Input.
36	DSDATA3	I	DAC5 and DAC 6 Serial Data Input.
37	DSDATA2	I	DAC3 and DAC 4 Serial Data Input.
38	DSDATA1	I	DAC1 and DAC 2 Serial Data Input.
42	MOSI/ADDR1/SA	I	Master Output Slave Input (SPI)/Address 1 (I <sup>2</sup> C)/SA_MODE State (see the Standalone Mode section and Table 13).
43	MISO/SDA/SA	I/O	Master Output Slave Input (SPI)/Control Data Input (I <sup>2</sup> C)/SA_MODE State (see the Standalone Mode section and Table 13).
44	SCLK/SCL	I	Serial Clock Input (SPI)/Control Clock Input (I <sup>2</sup> C)
45	$\overline{SS}$ /ADDR0/SA	I	Slave Select (SPI) (Active Low)/Address 0 (I <sup>2</sup> C)/SA_MODE State (see the Standalone Mode section and Table 13).
46	SA_MODE	I	Standalone Mode. This pin allows mode control of <a href="#">ADAU1962A</a> using Pin 42, Pin 43, and Pin 45, Pin 31, and Pin 32 (high active). See Table 13 and Table 14 for more information.
47	PU/ $\overline{RST}$	I	Power-Up/Reset (Active Low). See the Power-Up and Reset section for more information.
48	AGND1	GND	Analog Ground.
49	AVDD1	PWR	Analog Power.
50	DAC1P	O	DAC1 Positive Output.
51	DAC1N	O	DAC1 Negative Output.
52	DAC2P	O	DAC2 Positive Output.
53	DAC2N	O	DAC2 Negative Output.
54	DAC3P	O	DAC3 Positive Output.
55	DAC3N	O	DAC3 Negative Output.
56	DAC4P	O	DAC4 Positive Output.
57	DAC4N	O	DAC4 Negative Output.
58	AVDD2	PWR	Analog Power.
59	DAC_BIAS1	I	DAC Bias 1. AC couple Pin 59 with a 470 nF capacitor to AVDD2.
60	DAC_BIAS2	I	DAC Bias 2. AC couple Pin 60 with a 470 nF capacitor to AGND2.
61	AGND2	GND	Analog Ground.
62	CM	O	Common-Mode Reference Filter Capacitor Connection. Bypass the CM pin with a 10 $\mu$ F capacitor in parallel with a 100 nF capacitor to AGND2. This reference can be shut off in the PLL_CLK_CTRL1 register (Register 0x01) and the pin can be driven with an outside voltage source.
63	TS_REF	O	Voltage Reference Filter Capacitor Connection. Bypass Pin 63 with a 10 $\mu$ F capacitor in parallel with a 100 nF capacitor to AGND2.
64	DAC5P	O	DAC5 Positive Output.
65	DAC5N	O	DAC5 Negative Output.
66	DAC6P	O	DAC6 Positive Output.
67	DAC6N	O	DAC6 Negative Output.
68	DAC7P	O	DAC7 Positive Output.
69	DAC7N	O	DAC7 Negative Output.
70	DAC8P	O	DAC8 Positive Output.
71	DAC8N	O	DAC8 Negative Output.
72	DAC9P	O	DAC9 Positive Output.
73	DAC9N	O	DAC9 Negative Output.
74	DAC10P	O	DAC10 Positive Output.
75	DAC10N	O	DAC10 Negative Output.

Pin No.	Mnemonic <sup>1,2</sup>	Type <sup>3</sup>	Description
76	DAC11P	O	DAC11 Positive Output.
77	DAC11N	O	DAC11 Negative Output.
78	DAC12P	O	DAC12 Positive Output.
79	DAC12N	O	DAC12 Negative Output.
80	AGND3	GND	Analog Ground.

<sup>1</sup> AVDD1, AVDD2, AVDD3, and AVDD4 are referred to elsewhere in this document as AVDDx when AVDDx means any or all of the AVDD pins.

<sup>2</sup> DAC Channel 1 to DAC Channel 12 pins are referred to elsewhere in this document as DACx, DACxP, or DACxN when it means any or all of the DAC channel pins.

<sup>3</sup> I = input, O = output, I/O = input/output, PWR = power, and GND = ground, and NC = no connect.

TYPICAL PERFORMANCE CHARACTERISTICS

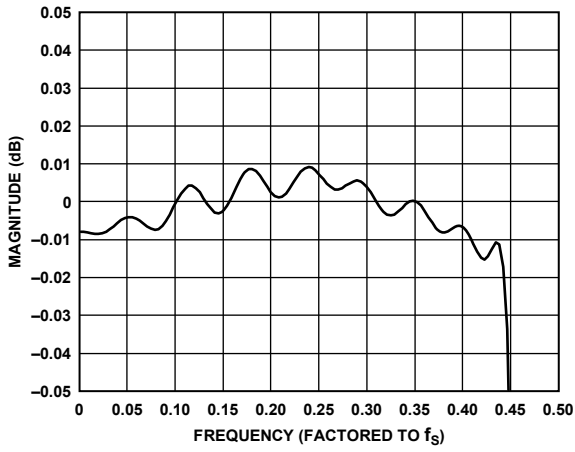


Figure 4. DAC Pass-Band Filter Response, 48 kHz

11371-004

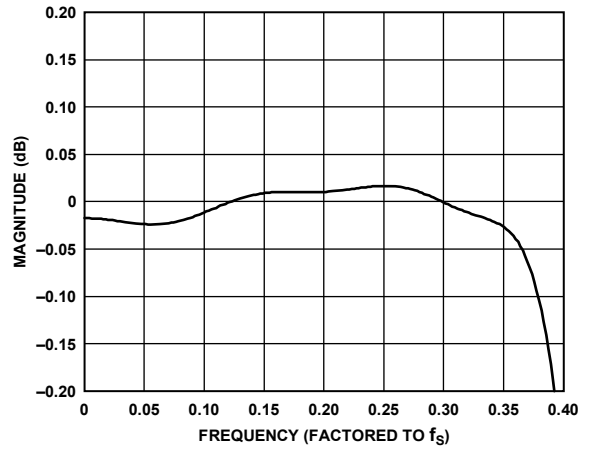


Figure 6. DAC Pass-Band Filter Response, 96 kHz

11371-006

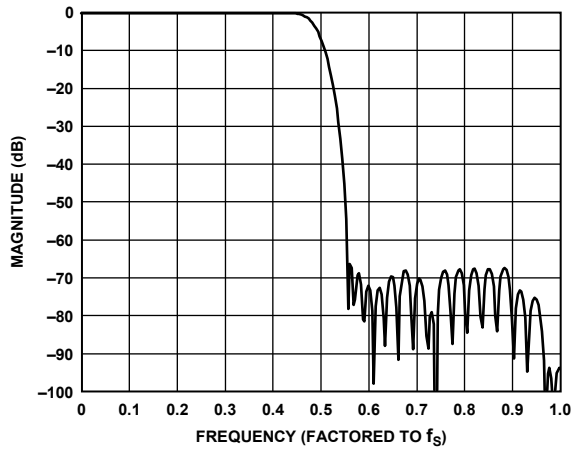


Figure 5. DAC Stop-Band Filter Response, 48 kHz

11371-005

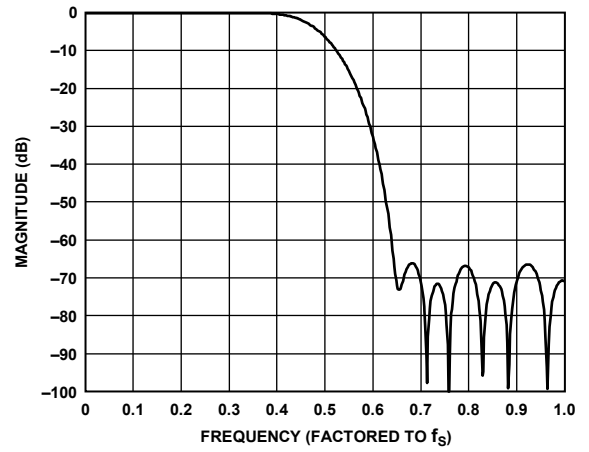


Figure 7. DAC Stop-Band Filter Response, 96 kHz

11371-007

# TYPICAL APPLICATION CIRCUITS

Typical application circuits are shown in Figure 8 to Figure 13. Recommended loop filters for DLRCLK and MCLKI/XTALI modes of the PLL reference are shown in Figure 8. Output filters for the DAC outputs are shown in Figure 10 to Figure 13, and an external regulator circuit is shown in Figure 9. When pins for multiple outputs are referred to generically in this datasheet, there is an x in place of the number. For example, DACxP refers to DAC1P through DAC12P.

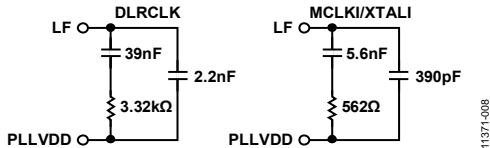


Figure 8. Recommended Loop Filters for DLRCLK and MCLKI/XTALI PLL Reference Modes

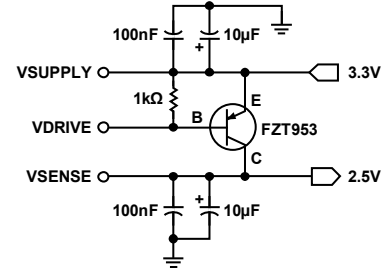


Figure 9. Recommended 2.5 V Regulator Circuit

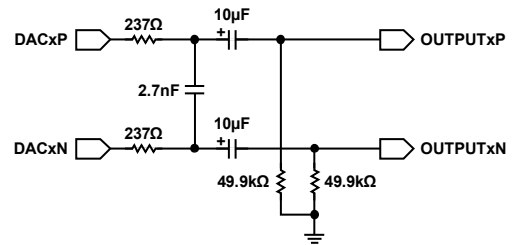


Figure 10. Typical DAC Output Passive Filter Circuit (Differential)

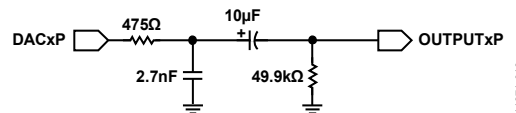


Figure 11. Typical DAC Output Passive Filter Circuit (Single-Ended)

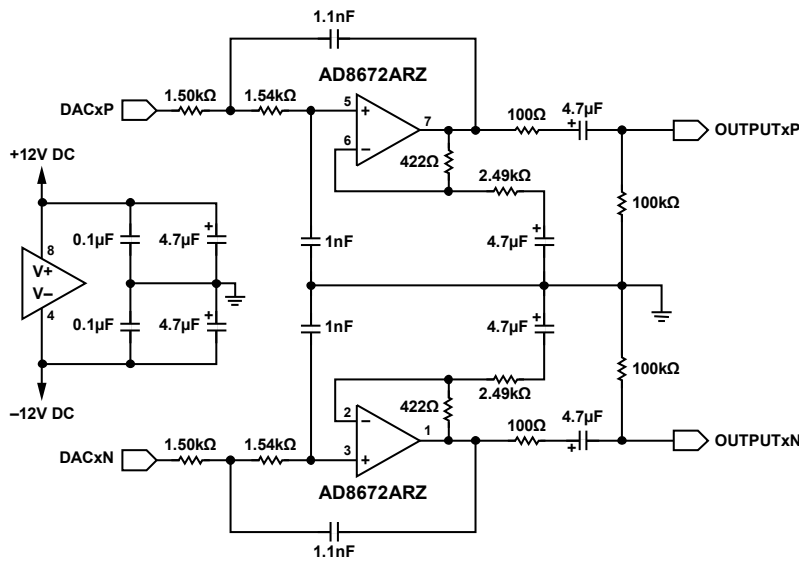


Figure 12. Typical DAC Output Active Filter Circuit (Differential)

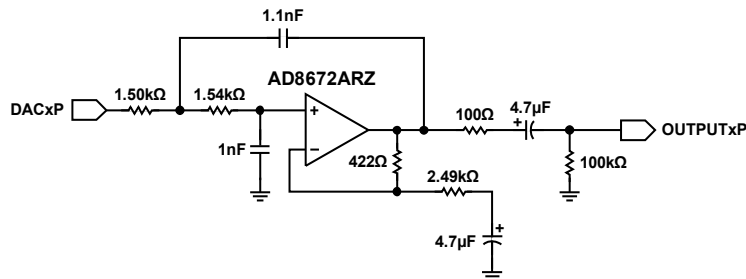


Figure 13. Typical DAC Output Active Filter Circuit (Single-Ended)

## THEORY OF OPERATION

### DACs

The 12 ADAU1962A DAC channels are differential for improved noise and distortion performance and are voltage output for simplified connection. The DACs include on-chip digital interpolation filters with 68 dB stop-band attenuation and linear phase response, operating at an oversampling ratio of 256× (48 kHz range), 128× (96 kHz range), or 64× (192 kHz range). Each channel has its own independently programmable attenuator, adjustable in 255 steps in increments of 0.375 dB. Digital inputs are supplied through six serial data input pins (two channels on each pin), a common frame clock (DLRCLK), and a bit clock (DBCLK). Alternatively, any one of the TDM modes can be used to access up to 12 channels on a single TDM data line.

The ADAU1962A has a low propagation delay mode; this mode is an option for an  $f_s$  of 192 kHz and is enabled in Register DAC\_CTRL0[2:1]. By setting these bits to 0b11, the propagation delay is reduced by the amount shown in Table 6. The shorter delay is achieved by reducing the amount of digital filtering; the negative impact of selecting this mode is reduced audio frequency response and increased out-of-band energy.

Because AVDD is supplied with 3.3 V, each analog output pin has a nominal common-mode (CM) dc level of 1.5 V. With a 0 dB full-scale digital input signal, each pin swings approximately ±1.42 V peak (2.83 V p-p and 2 V rms). Therefore, the voltage swing differentially across the two pins is 5.66 V p-p (4 V rms). The differential analog outputs require a single-order passive differential resistor-capacitor (RC) filter only to provide the specified DNR performance; see Figure 10 or Figure 11 for an example filter. The outputs can easily drive differential inputs on a separate printed circuit board (PCB) through cabling as well as differential inputs on the same PCB.

If more signal level is required, or if a more robust filter is needed, a single op amp gain stage designed as a second-order, low-pass Bessel filter can be used to remove the high frequency out-of-band noise present on each pin of the differential outputs. The choice of components and design of this circuit is critical to yield the full DNR of the DACs (see the recommended passive and active circuits in Figure 10, Figure 11, Figure 12, and Figure 13). The differential filter can be built into an active difference amplifier to provide a single-ended output with gain, if necessary. Note that the use of op amps with low slew rate or low bandwidth can cause high frequency noise and tones to fold down into the audio band; exercise care when selecting these components.

The ADAU1962A offers control over the analog performance of the DACs; it is possible to program the registers to reduce the power consumption with the trade-off of lower SNR and THD + N.

**Table 11. DAC Power vs. Performance**

Register Setting	Best Performance	Good Performance	Low Power	Lowest Power
Total AVDDx Current	45 mA	40 mA	35 mA	30 mA
SNR	Reference	-0.2 dB	-1.5 dB	-14.2 dB
THD + N (-1 dBFS Signal)	Reference	-1.8 dB	-3.0 dB	-5.8 dB

The reduced power consumption is the result of changing the internal bias current to the analog output amplifiers.

Register DAC\_POWER1 to Register DAC\_POWER3 present four basic settings for the DAC power vs. performance in each of the 12 channels: best performance, good performance, lower power, and lowest power. Alternatively, in Register PLL\_CLK\_CTRL1[7:6], the LOPWR\_MODE bits offer global control over the power and performance for all 12 channels. To select the lower power or lowest power settings, set Bit 7 and Bit 6 of the DAC\_POWERx registers to 0b10 or 0b11, respectively. The default setting is 0b00. This setting allows the channels to be controlled individually using the DAC\_POWERx registers. The data presented in Table 11 shows the result of setting all 12 channels to each of the four settings. The SNR and THD + N specifications are shown in relation to the measured performance of a device at the best performance setting.

The voltage at CM, the common-mode reference pin, can be used to bias the external op amps that buffer the output signals (see the Power Supply and Voltage Reference section).

### CLOCK SIGNALS

Upon powering the ADAU1962A and asserting the PU/RST pin high, the part starts in either standalone mode (SA\_MODE) or program mode, depending on the state of SA\_MODE (Pin 46). The clock functionality of SA\_MODE is described in the Standalone Mode section.

In program mode, the default for the ADAU1962A is for the MCLKO pin to feed a buffered output of the MCLKI signal on the MCLKI/XTALI pin. The default for the DLRCLK and DBCLK ports is slave mode; the DAC must be driven with a coherent set of master clock, frame clock, and bit clock signals to function.

The MCLKO pin can be programmed to provide different clock signals using Register PLL\_CLK\_CTRL1[5:4]. The default, 0b10, provides a buffered copy of the clock signal that is driving the MCLKI pin. Two modes, 0b00 and 0b01, provide low jitter clock signals.

The b00 setting yields a clock rate between 4 MHz and 6 MHz, and the b01 setting yields a clock rate between 8 MHz and 12 MHz. Both of these clock frequencies are scaled as ratios of master clock automatically inside the ADAU1962A. As an example, an input to MCLKI of 8.192 MHz and a setting of 0b00 yield an MCLKO frequency of  $(8.192/2) = 4.096$  MHz. Alternatively, an MCLKI of 36.864 MHz and a setting of 0b01 yield an MCLKO frequency of  $(36.864/3) = 12.288$  MHz. The 0b11 setting disables the MCLKO pin.

After the  $\overline{\text{PU/RST}}$  pin is asserted high, the PLL\_CLK\_CTRLx registers (Register 0x00 and Register 0x01) can be programmed. The on-chip PLL can be selected to use the clock appearing at the MCLKI/XTALI pin at a frequency of 256, 384, 512, or 768 times the sample rate ( $f_s$ ), referenced to the 48 kHz mode from the master clock select (MCS) setting, as described in Table 12.

In 96 kHz mode, the master clock frequency stays at the same absolute frequency; therefore, the actual multiplication rate is divided by 2. In 192 kHz mode, the actual multiplication rate is divided by 4.

For example, if the ADAU1962A is programmed in  $256 \times f_s$  mode, the frequency of the master clock input is  $256 \times 48 \text{ kHz} = 12.288 \text{ MHz}$ . If the ADAU1962A is then switched to 96 kHz operation (by writing to DAC\_CTRL0[2:1]), the frequency of the master clock remains at 12.288 MHz, which is an MCS ratio of  $128 \times f_s$  in this example. Therefore, in 192 kHz mode, MCS becomes  $64 \times f_s$ . The internal clock for the digital core varies by mode:  $512 \times f_s$  (48 kHz mode),  $256 \times f_s$  (96 kHz mode), or  $128 \times f_s$  (192 kHz mode). By default, the on-board PLL generates this internal master clock from an external clock.

The PLL must be powered and stable before using the ADAU1962A as a source for quality audio. The PLL is enabled by reset and does not require writing to the I<sup>2</sup>C or SPI port for normal operation.

With the PLL enabled, the performance of the ADAU1962A is not affected by jitter as high as a 300 ps rms time interval error (TIE). When the internal PLL is disabled, use an independent crystal oscillator to generate the master clock.

When using the ADAU1962A in direct master clock mode, power down the PLL in the PDN\_THRMSSENS\_CTRL\_1 register. For direct master clock mode, a frequency of  $512 \times f_s$  (referenced to 48 kHz mode) must be fed into the MCLKI pin, and the CLK\_SEL bit in the PLL\_CLK\_CTRL1 register must be set to 1. However, for the device to function, 2.5 V power must be connected to the PLLVDD pin.

The PLL of the ADAU1962A can also be programmed to run from an external LRCLK. Setting the PLLIN bits in the PLL\_CLK\_CTRL0 register to 0b01, and connecting the appropriate loop filter to the LF pin (see Figure 8), the PLL generates all of the necessary internal clocks for operation with no external master clock. This mode reduces the number of high frequency signals in the design, reducing EMI emissions.

It is possible to further reduce EMI emissions of the circuit by using the internal bit clock generation setting of the BCLK\_GEN bit in the DAC\_CTRL1 register. Setting the BCLK\_GEN bit to 1 (internal) and the SAI\_MS bit to 0 (slave), the ADAU1962A generates its own bit clock; this configuration works with the PLL input register (PLL\_CLK\_CTRL0[7:6]) set to either MCLKI/XTALI or DLRCLK. The clock on the DLRCLK pin is the only required clock in DLRCLK PLL mode.

Table 12. MCS and  $f_s$  Modes

Frequency Sample Select DAC_CTRL0[2:1]		Master Clock Select (MCS), PLL_CLK_CTRL0[2:1]							
		Setting 0, 0b00		Setting 1, 0b01		Setting 2, 0b10		Setting 3, 0b11	
$f_s$ (kHz)	Bit Setting	Ratio	Master Clock (MHz)	Ratio	Master Clock (MHz)	Ratio	Master Clock (MHz)	Ratio	Master Clock (MHz)
32	0b00	$256 \times f_s$	8.192	$384 \times f_s$	12.288	$512 \times f_s$	16.384	$768 \times f_s$	24.576
44.1	0b00	$256 \times f_s$	11.2896	$384 \times f_s$	16.9344	$512 \times f_s$	22.5792	$768 \times f_s$	33.8688
48	0b00	$256 \times f_s$	12.288	$384 \times f_s$	18.432	$512 \times f_s$	24.576	$768 \times f_s$	36.864
64	0b01	$128 \times f_s$	8.192	$192 \times f_s$	12.288	$256 \times f_s$	16.384	$384 \times f_s$	24.576
88.2	0b01	$128 \times f_s$	11.2896	$192 \times f_s$	16.9344	$256 \times f_s$	22.5792	$384 \times f_s$	33.8688
96	0b01	$128 \times f_s$	12.288	$192 \times f_s$	18.432	$256 \times f_s$	24.576	$384 \times f_s$	36.864
128	0b10 or 0b11	$64 \times f_s$	8.192	$96 \times f_s$	12.288	$128 \times f_s$	16.384	$192 \times f_s$	24.576
176.4	0b10 or 0b11	$64 \times f_s$	11.2896	$96 \times f_s$	16.9344	$128 \times f_s$	22.5792	$192 \times f_s$	33.8688
192	0b10 or 0b11	$64 \times f_s$	12.288	$96 \times f_s$	18.432	$128 \times f_s$	24.576	$192 \times f_s$	36.864

**POWER-UP AND RESET**

Power sequencing for the ADAU1962A must start with AVDDx and IOVDD, followed by DVDD. It is very important that AVDDx be settled at a regulated voltage and that IOVDD be within 10% of regulated voltage before applying DVDD. When using the internal regulator of the ADAU1962A, this timing occurs by default.

To guarantee proper startup, pull the PU/RST pin low by an external resistor and then drive it high after the power supplies have stabilized. The PU/RST can also be pulled high using a simple RC network.

Driving the PU/RST pin low puts the part into a very low power state (<3 µA). All functionality of the ADAU1962A is disabled until the PU/RST pin is asserted high. Once this pin is asserted high, the ADAU1962A requires 300 ms to stabilize. The MMUTE bit in the DAC\_CTRL0 register must be toggled for operation.

The PUP (master power-up control) bit in the PLL\_CLK\_CTRL0 register can be used to power down the ADAU1962A. Setting the PUP bit to 0 puts the ADAU1962A in an idle state while maintaining the settings of all registers. Additionally, the power-down bits in the PDN\_THRMSSENS\_CTRL\_1 register (TS\_PDN, PLL\_PDN, and VREG\_PDN) can be used to power down individual sections of the ADAU1962A.

The SOFT\_RST bit in the PLL\_CLK\_CTRL0 register sets all of the control registers to their default settings while maintaining the internal clocks in default mode. The SOFT\_RST bit does not power down the analog outputs; nor does toggling this bit cause audible popping sounds at the differential analog outputs.

For proper startup of the ADAU1962A, follow these steps:

1. Apply power to the ADAU1962A as previously described in the Power-Up and Reset section.
2. Assert the PU/RST pin high after power supplies are stable.
3. Set the PUP bit to 1.
4. Program all necessary registers for the desired settings.
5. Set the MMUTE bit to 0 to unmute all channels.

**STANDALONE MODE**

The ADAU1962A can operate without a typical I<sup>2</sup>C or SPI connection to a microcontroller. This standalone mode is available by setting SA\_MODE (Pin 46) to IOVDD. All registers are set to default except for the options shown in Table 13.

**Table 13. SA\_MODE Settings**

Pin No.	Setting	Function
42	0	Master mode serial audio interface (SAI)
	1	Slave mode SAI
43	0	MCLK = 256 × f <sub>s</sub> , PLL on
	1	MCLK = 384 × f <sub>s</sub> , PLL on
45	0	I <sup>2</sup> S SAI format
	1	TDM modes, determined by Pin 31 and Pin 32

When both SA\_MODE (Pin 46) and SS/ADDR0/SA (Pin 45) are set high, TDM mode is selected. Table 14 shows the available TDM modes; these modes are set by connecting Pin 31 (SA1) and Pin 32 (SA2) to GND or IOVDD.

**Table 14. TDM Modes**

Pin No.	Setting	Function
31 to 32	00	TDM4, DLRCLK pulse
	01	TDM8, DLRCLK pulse
	10	TDM16, DLRCLK pulse
	11	TDM8, DLRCLK 50% duty cycle

By powering up the ADAU1962A in SA\_MODE, and asserting the PU/RST pin high, the MCLKO pin provides a buffered version of the MCLKI/XTALI pin, whether the source is a crystal or an active oscillator.

**I<sup>2</sup>C CONTROL PORT**

The ADAU1962A has an I<sup>2</sup>C-compatible control port that permits programming and readback of the internal control registers for the DACs and clock system. The I<sup>2</sup>C interface of the ADAU1962A is a 2-wire interface consisting of a clock line, SCL, and a data line, SDA. SDA is bidirectional, and the ADAU1962A drives SDA either to acknowledge the master (ACK) or to send data during a read operation. The SDA pin (MISO/SDA/SA) for the I<sup>2</sup>C port is an open-drain collector and requires a 2 kΩ pull-up resistor. A write or read access occurs when the SDA line is pulled low while the SCL line (SCLK/SCL) is high, indicated by a start in Figure 14 and Figure 15.

SDA is only allowed to change when SCL is low, except when a start or stop condition occurs, as shown in Figure 14 and Figure 15. The first eight bits of the data-word consist of the device address and the R/W bit. The device address consists of an internal built-in address (0x04) and two address bits, ADDR1 and ADDR0. The two address bits allow four ADAU1962A devices to be used in a system.

**Table 15. I<sup>2</sup>C Addresses**

ADDR1 (AD1)	ADDR0 (AD0)	Slave Address
0	0	0x04
0	1	0x24
1	0	0x44
1	1	0x64



**I<sup>2</sup>C Write**

Initiating a write operation to the ADAU1962A involves the following steps (see Figure 14):

1. Send a start condition
2. Send the device address with the R/W bit set low.
  - a. The ADAU1962A responds by issuing an acknowledge to indicate that it has been addressed.
3. Send a second frame directing the ADAU1962A to which register is required to be written.
  - a. A second acknowledge is issued by the ADAU1962A.
4. Send a third frame with the eight data bits required to be written to the register.
  - a. A third acknowledge is issued by the ADAU1962A.
5. Send a stop condition to complete the data transfer.

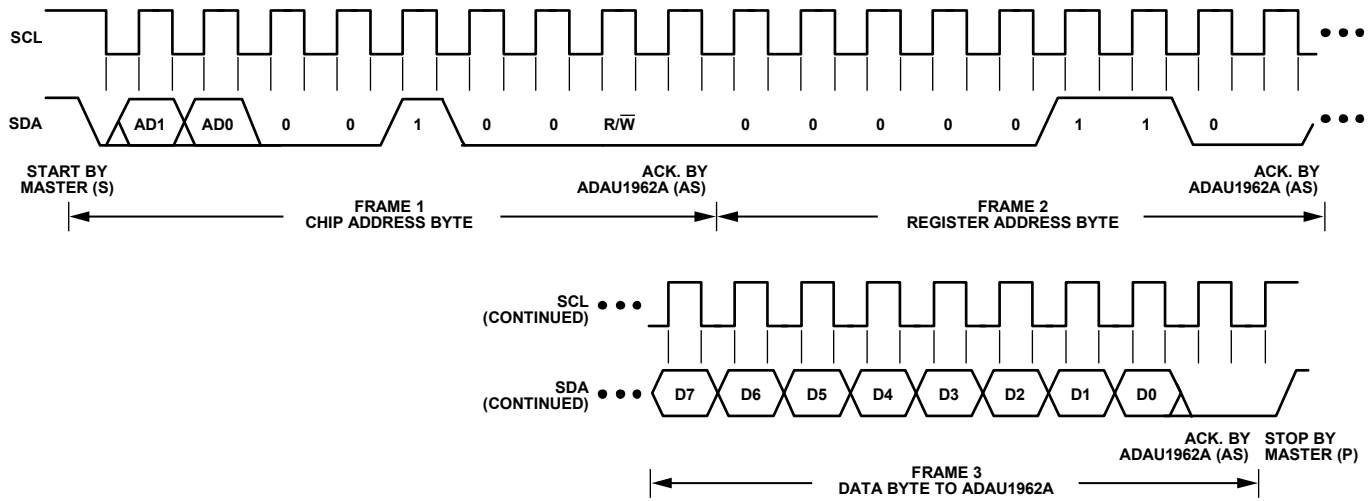


Figure 14. I<sup>2</sup>C Write Format

Table 16. I<sup>2</sup>C Abbreviations

Abbreviation	Condition
S	Start bit
P	Stop bit
AM	Acknowledge by master
AS	Acknowledge by slave

Table 17. Single Word I<sup>2</sup>C Write

S	Chip Address, R/W = 0	AS	Register Address	AS	Data-Word	AS	P
---	-----------------------	----	------------------	----	-----------	----	---

Table 18. Burst Mode I<sup>2</sup>C Write

S	Chip Address, R/W = 0	AS	Register Address	AS	Data-Word 1	AS	Data-Word 2	AS	Data-Word N	AS	P
---	-----------------------	----	------------------	----	-------------	----	-------------	----	-------------	----	---

**I<sup>2</sup>C Read**

A read operation requires that the user first write to the ADAU1962A to point to the correct register and then read the data. The following steps achieve this (see Figure 15):

1. Send a start condition followed by the device address frame with the R/W bit low and then the register address frame.
  - a. The ADAU1962A responds with an acknowledge.
2. Issue a repeated start condition.
  - a. The next frame is the device address with the R/W bit set high.
  - b. On the next frame, the ADAU1962A outputs the register data on the SDA line.
3. Issue a stop condition to complete the read operation.

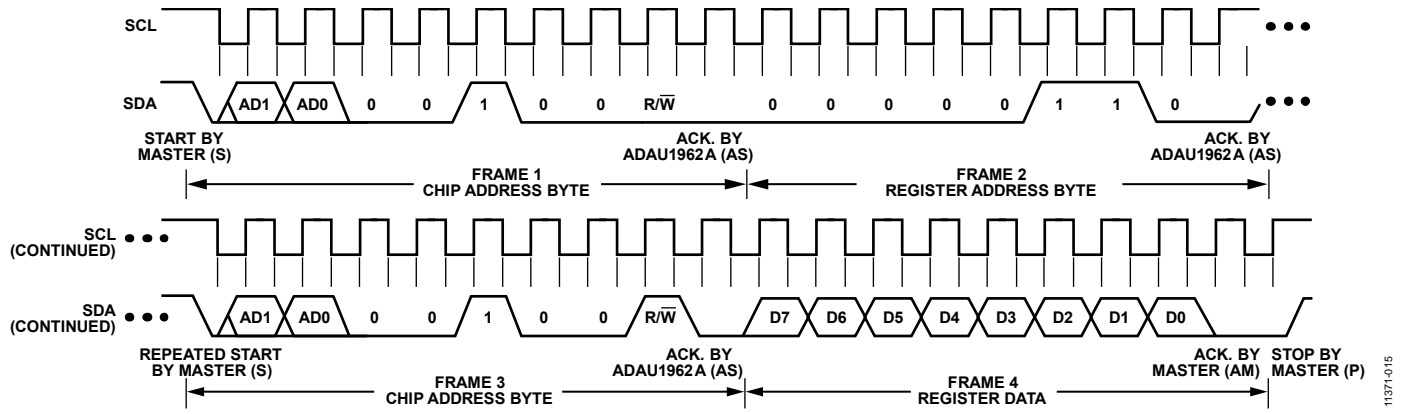


Figure 15. I<sup>2</sup>C Read Format

**Table 19. Single Word I<sup>2</sup>C Read**

S	Chip Address, R/W = 0	AS	Register Address	AS	S	Chip Address, R/W = 1	AS	Data-Word	AM	P
---	-----------------------	----	------------------	----	---	-----------------------	----	-----------	----	---

**Table 20. Burst Mode I<sup>2</sup>C Read**

S	Chip Address, R/W = 0	AS	Register Address	AS	S	Chip Address, R/W = 1	AS	Data-Word 1	AM	Data-Word 2	AM	Data-Word N	AM	P
---	-----------------------	----	------------------	----	---	-----------------------	----	-------------	----	-------------	----	-------------	----	---

**SERIAL CONTROL PORT: SPI CONTROL MODE**

The ADAU1962A has a 4-wire SPI control port that permits the programming and reading back of the internal control registers for the DACs and clock system. A standalone mode is also available for operation without serial control; it is configured at reset using the SA\_MODE pin. See the Standalone Mode section for details about the SA\_MODE pin.

By default, the ADAU1962A is in I<sup>2</sup>C mode; however, it can be put into SPI control mode by pulling  $\overline{SS}$  low three times. This is done by performing three dummy writes to the SPI port (the ADAU1962A does not acknowledge these three writes, see Figure 16). Beginning with the fourth SPI write, data can be written to or read from the IC. The ADAU1962A can only be taken out of SPI control mode by a full reset initiated by power cycling the device.

The format is a 24-bit wide data-word. The serial bit clock and latch can be completely asynchronous to the sample rate of the DACs. The first byte is a global address with a read/write bit. For the ADAU1962A, the address is 0x06, shifted left one bit due to the R/W bit. The second byte is the ADAU1962A register address, and the third byte is the data, as shown in Figure 17 and Figure 18. When reading data from the ADAU1962A, MISO is tristated until the third byte where it drives data out Figure 18. MISO is tristated at all other times, allowing it to be used with other devices. The timing requirements are shown in Figure 19.

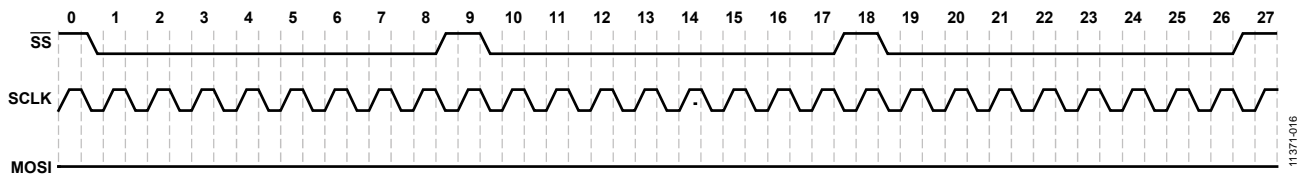


Figure 16. SPI Mode Initial Sequence

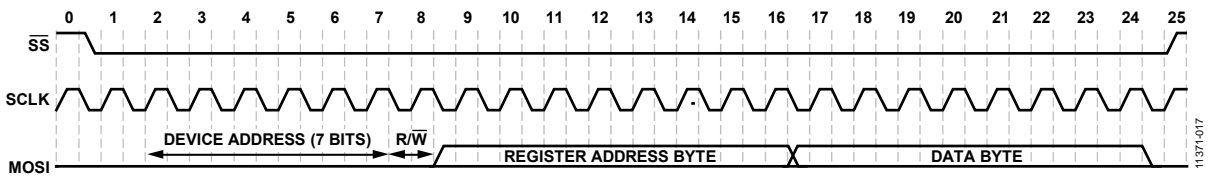


Figure 17. SPI Write to ADAU1962A Clcking

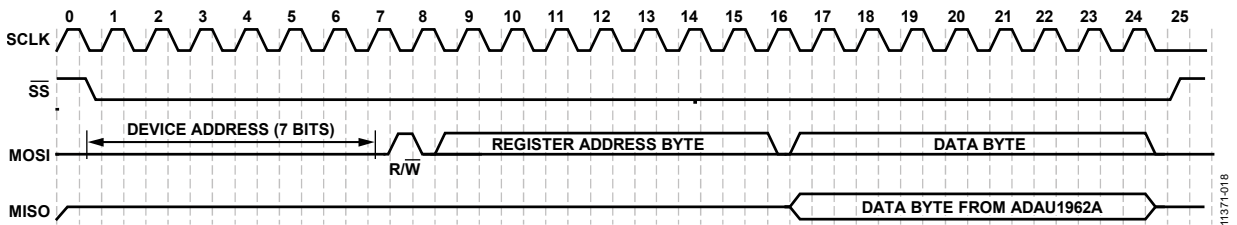


Figure 18. SPI Read from ADAU1962A Clcking

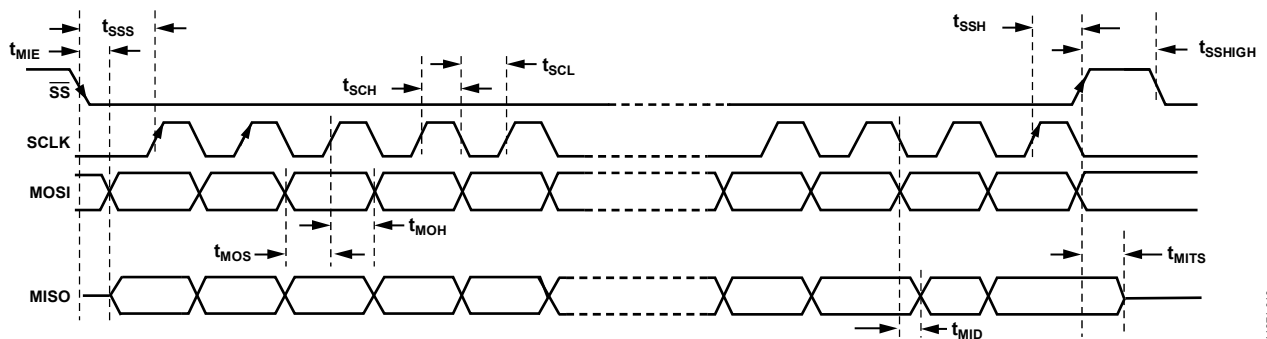


Figure 19. SPI Signal Timing

**Chip Address R/W**

The LSB of the first byte of an SPI transaction is a R/W bit. This bit determines whether the communication is a read (Logic Level 1) or a write (Logic Level 0). This format is shown in Table 21.

**Table 21. ADAU1962A SPI Address and R/W Byte Format**

Bit 0	Bit 1	Bit 2	Bit 3	Bit 4	Bit 5	Bit 6	Bit 7
0	0	0	0	1	1	0	R/W

**SPI Burst Read/Write**

The SPI port is capable of performing burst reads or writes by sending the chip address byte with the R/W bit followed by the first register address that needs to be read or written to. Then, as long as the SS pin is held low, the user can sequentially read or write to the registers by continuing to send clock pulses into the SCLK pin. An efficient way to initialize the ADAU1962A is by

- Sending out the address byte with the R/W bit low (write)
- Sending out the address of the first register
- Sending out all the register byte values
- Toggling SS to end the transfer
- Performing a burst read to verify that the register writes were successful

When referencing back to Analog Devices legacy devices, different pin names (mnemonics) were used for these SPI port functions. See Table 22 for details of the changes.

**Table 22. SPI Port Pin Naming Conventions**

Pin No.	Legacy Pin Mnemonic	New Pin Mnemonic
42	CDATA	MOSI
43	COUT	MISO
44	CCLK	SCLK
45	CLATCH	SS

**POWER SUPPLY AND VOLTAGE REFERENCE**

The ADAU1962A is designed for 3.3 V analog and 2.5 V digital supplies. To minimize noise pickup, bypass the power supply pins with 100 nF ceramic chip capacitors placed as close to the pins as possible. Provide a bulk aluminum electrolytic capacitor of at least 22 µF for each rail on the same PCB as the codec. It is important that the analog supply be as clean as possible.

The ADAU1962A includes a 2.5 V regulator driver that requires only an external pass transistor and bypass capacitors to make a 2.5 V regulator from a 3.3 V supply. Decouple the VSUPPLY and VSENSE pins with no more than 10 µF of capacitance in parallel with 100 nF high frequency bypassing. If the regulator driver is not used, connect VSUPPLY and VDRIVE to GND and leave VSENSE unconnected.

The temperature sensor internal voltage reference (V<sub>TS\_REF</sub>) is connected to the TS\_REF pin and must be bypassed as close as possible to the chip with a parallel combination of 10 µF and 100 nF capacitors.

The internal band gap reference can be disabled in the PLL\_CLK\_CTRL1 register by setting VREF\_EN to 0; the CM pin can be then be driven from an external source. This can be used to scale the DAC output to the clipping level of a power amplifier based on its power supply voltage.

The CM pin is the internal common-mode reference. Bypass it as close as possible to the chip with a parallel combination of 10 µF and 100 nF capacitors. This voltage can be used to bias external op amps to the common-mode voltage of the analog input and output signal pins. It is recommended that the CM pin be isolated from the external circuitry by using a high quality buffer to provide a quiet, low impedance source for the external circuitry. Use of a quiet op amp is critical because any noise added to the reference voltage is injected into the signal path.

**SERIAL DATA PORTS—DATA FORMAT**

The 12 DAC channels use a common serial bit clock (DBCLK) and a common left-right framing clock (DLRCLK) in the serial data port. The clock signals are all synchronous with the sample rate. The normal stereo serial modes are shown in Figure 20.

The DAC serial data mode defaults to I<sup>2</sup>S (1 BCLK delay) upon power-up and reset. The ports can also be programmed for left justified and right justified (24-bit and 16-bit) operation using DAC\_CTRL0[7:6]. Stereo and TDM modes can be selected using DAC\_CTRL0[5:3]. The polarity of DBCLK and DLRCLK is programmable according to the DAC\_CTRL1[1] and DAC\_CTRL1[5] bits. The serial ports are programmable as the clock masters according to the DAC\_CTRL1[0] bit. By default, the serial port is in slave mode.

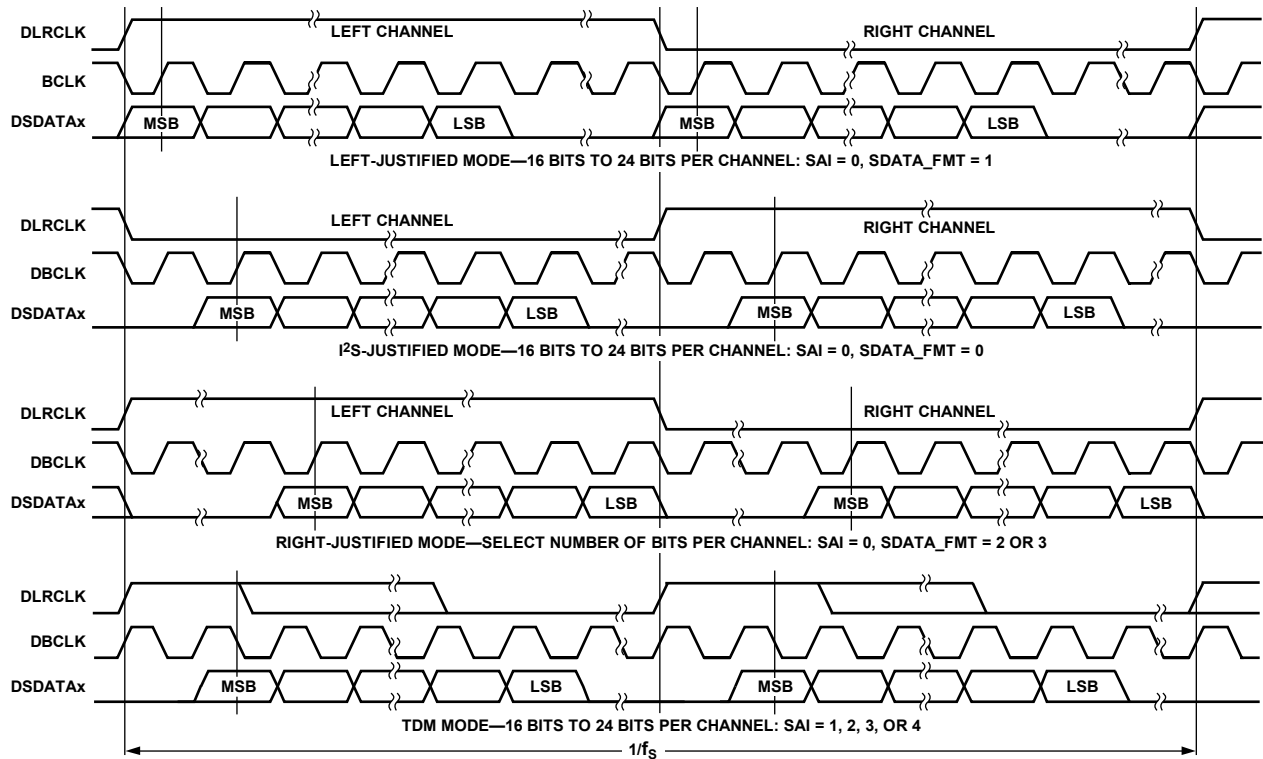


Figure 20. Stereo Serial Audio Modes

11371-020

## TIME-DIVISION MULTIPLEXED (TDM) MODES

The ADAU1962A serial ports also have several different TDM serial data modes. The ADAU1962A can support a single data line (TDM16), a dual data line (TDM8), a quad data line (TDM4), or eight data lines (TDM2). The DLRCLK/frame clock can operate in both single-cycle pulse mode and a 50% duty cycle mode. Both 16 DBCLKs and 32 DBCLKs per channel are selectable for each mode.

The I/O pins of the serial ports are defined according to the serial mode that is selected. For a detailed description of the function of each pin in TDM and stereo modes, see Table 23.

## TEMPERATURE SENSOR

The ADAU1962A has an on-board temperature sensor that allows the user to read the temperature of the silicon inside the device. The temperature sensor readout has a range of  $-60^{\circ}\text{C}$  to  $+140^{\circ}\text{C}$  in  $1^{\circ}\text{C}$  steps. The PDN\_THRMSSENS\_CTRL\_1 register controls the settings of the sensor. The temperature sensor is powered on by default and can be shut off by setting the TS\_PDN[2] bit to 1 in the

PDN\_THRMSSENS\_CTRL\_1 register. The temperature sensor can be run in either continuous operation or one-shot mode. The temperature sensor conversion mode is modified using THRM\_MODE (Bit 5); the default is THRM\_MODE = 1, one-shot mode. In one-shot mode, writing a 0 followed by writing a 1 to THRM\_GO (Bit 4), results in a single reset and temperature conversion, placing the resulting temperature data in the THRM\_TEMP\_STAT register.

In continuous operation mode, the data conversion takes place at a rate set by THRM\_RATE[7:6], with a range of 0.5 sec to 4 sec between samples. Faster rates are possible using one-shot mode.

Once a temperature conversion is placed in the THRM\_TEMP\_STAT register, the data can be translated into degrees Celsius ( $^{\circ}\text{C}$ ) using the following steps:

1. Convert the binary or hexadecimal data read from THRM\_TEMP\_STAT into decimal form.
2. Subtract 60 from the converted THRM\_TEMP\_STAT data; this is the temperature of the silicon in  $^{\circ}\text{C}$ .

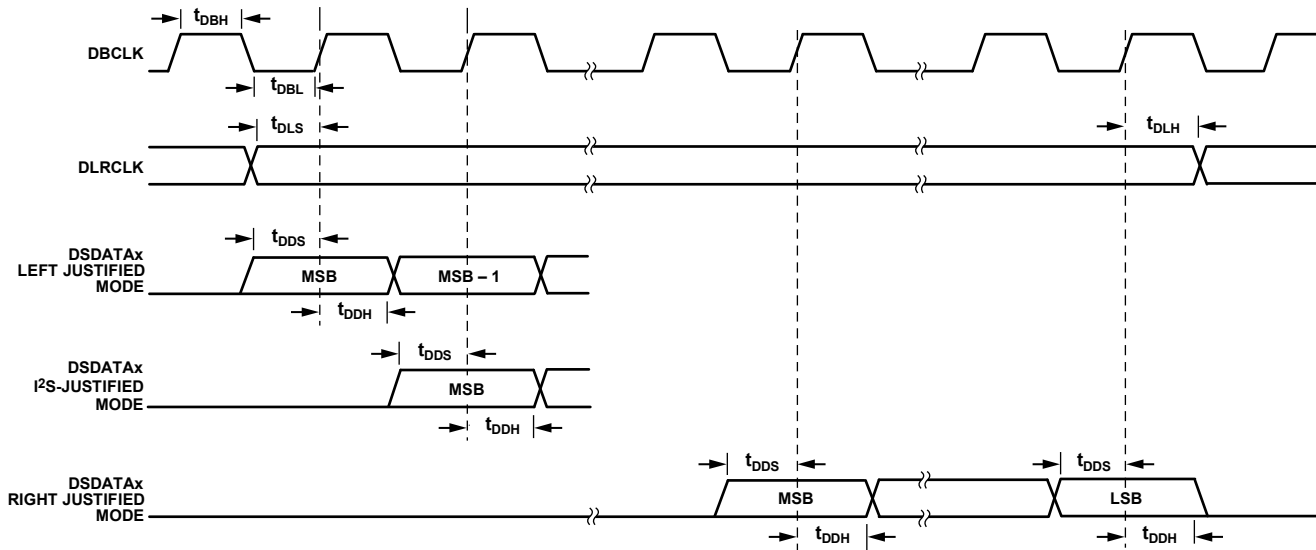


Figure 21. DAC Serial Timing

11371-021

Table 23. Pin Function Changes in Different Serial Audio Interface Modes

Signal	Stereo Modes (SAI = 0 or SAI = 1)	TDM4 Mode (SAI = 2)	TDM8 Mode (SAI = 3)	TDM16 Mode (SAI = 4)
DSDATA1	Channel 1/Channel 2 data input	Channel 1 to Channel 4 data input	Channel 1 to Channel 8 data input	Channel 1 to Channel 12 data input
DSDATA2	Channel 3/Channel 4 data input	Channel 5 to Channel 8 data input	Channel 9 to Channel 12 data input	Not used
DSDATA3	Channel 5/Channel 6 data input	Channel 9 to Channel 12 data input	Not used	Not used
DSDATA4	Channel 7/Channel 8 data input	Not used	Not used	Not used
DSDATA5	Channel 9/Channel 10 data input	Not used	Not used	Not used
DSDATA6	Channel 11/Channel 12 data input	Not used	Not used	Not used
DLRCLK	DLRCLK input/DLRCLK output	TDM frame sync input/ TDM frame sync output	TDM frame sync input/ TDM frame sync output	TDM frame sync input/ TDM frame sync output
DBCLK	DBCLK input/DBCLK output	TDM DBCLK input/ TDM DBCLK output	TDM DBCLK input/ TDM DBCLK output	TDM DBCLK input/ TDM DBCLK output
Maximum Sample Rate	192 kHz	192 kHz	96 kHz	48 kHz

**ADDITIONAL MODES**

The ADAU1962A offers several additional modes for board level design enhancements. To reduce the EMI in board level design, serial data can be transmitted without an explicit bit clock input on the DBCLK pin. See Figure 22 for an example of a DAC TDM data transmission mode that does not require a high speed bit clock or an external master clock. This configuration is applicable when the ADAU1962A master clock is generated by the PLL with the DLRCLK pin as the PLL reference frequency.

To relax the requirement for the setup time of the ADAU1962A in cases of high speed TDM data transmission, the ADAU1962A can latch in the data using the falling edge of DBCLK pin; see the BCLK\_EDGE bit in the DAC\_CTRL1 register. This effectively dedicates the entire bit clock period to the setup time. This mode is useful when the source has a large delay time in the serial data driver. Figure 23 shows this inverted bit clock mode of data transmission.

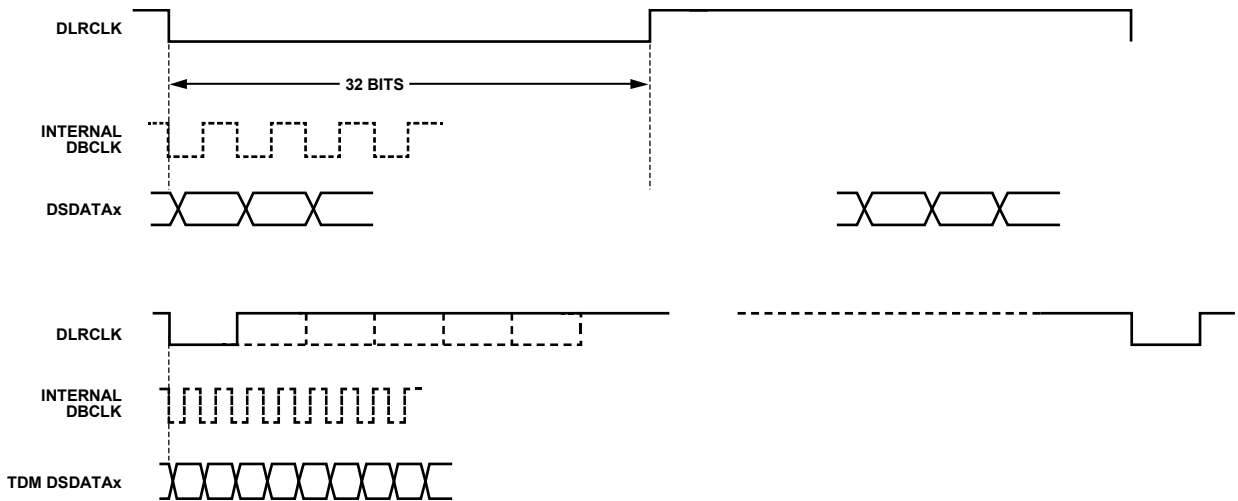


Figure 22. Serial DAC Data Transmission in TDM Format Without DBCLK (Applicable Only If PLL Locks to DLRCLK)

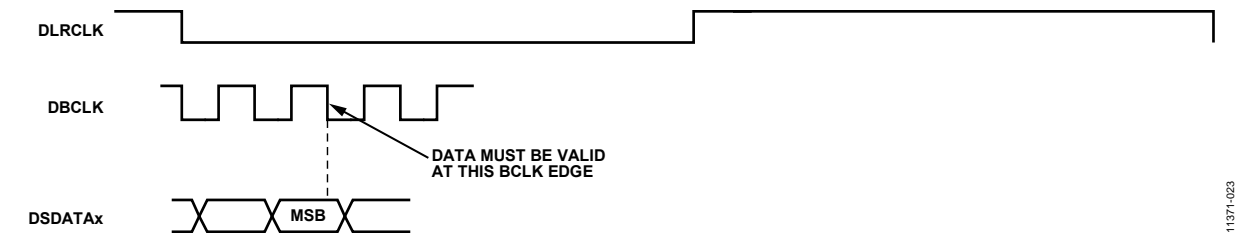


Figure 23. Inverted DBCLK Mode in DAC Serial Data Transmission (Applicable in Stereo and TDM, Useful for High Frequency TDM Transmission)

11371-022

11371-023

## REGISTER SUMMARY

Table 24. ADAU1962A Register Summary

Reg. No.	Register Name	Bits	Bit 7	Bit 6	Bit 5	Bit 4	Bit 3	Bit 2	Bit 1	Bit 0	Reset	RW	
0x00	PLL_CLK_CTRL0	[7:0]	PLLIN		XTAL_SET		SOFT_RST	MCS		PUP	0x00	RW	
0x01	PLL_CLK_CTRL1	[7:0]	LOPWR_MODE		MCLKO_SEL		PLL_MUTE	PLL_LOCK	VREF_EN	CLK_SEL	0x2A	RW	
0x02	PDN_THRMSSENS_CTRL_1	[7:0]	THRM_RATE		THRM_MODE	THRM_GO	RESERVED	TS_PDN	PLL_PDN	VREG_PDN	0xA0	RW	
0x03	PDN_CTRL2	[7:0]	DAC08_PDN	DAC07_PDN	DAC06_PDN	DAC05_PDN	DAC04_PDN	DAC03_PDN	DAC02_PDN	DAC01_PDN	0x00	RW	
0x04	PDN_CTRL3	[7:0]	RESERVED				DAC12_PDN	DAC11_PDN	DAC10_PDN	DAC09_PDN	0x00	RW	
0x05	THRM_TEMP_STAT	[7:0]	TEMP									0x00	R
0x06	DAC_CTRL0	[7:0]	SDATA_FMT		SAI			FS		MMUTE	0x01	RW	
0x07	DAC_CTRL1	[7:0]	BCLK_GEN	LRCLK_MODE	LRCLK_POL	SAI_MSB	RESERVED	BCLK_RATE	BCLK_EDGE	SAI_MS	0x00	RW	
0x08	DAC_CTRL2	[7:0]	RESERVED	RESERVED		BCLK_TDMC	DAC_POL	AUTO_MUTE_EN	DAC_OSR	DE_EMP_EN	0x06	RW	
0x09	DAC_MUTE1	[7:0]	DAC08_MUTE	DAC07_MUTE	DAC06_MUTE	DAC05_MUTE	DAC04_MUTE	DAC03_MUTE	DAC02_MUTE	DAC01_MUTE	0x00	RW	
0x0A	DAC_MUTE2	[7:0]	RESERVED	RESERVED	RESERVED	RESERVED	DAC12_MUTE	DAC11_MUTE	DAC10_MUTE	DAC09_MUTE	0x00	RW	
0x0B	DACMSTR_VOL	[7:0]	DACMSTR_VOL									0x00	RW
0x0C	DAC01_VOL	[7:0]	DAC01_VOL									0x00	RW
0x0D	DAC02_VOL	[7:0]	DAC02_VOL									0x00	RW
0x0E	DAC03_VOL	[7:0]	DAC03_VOL									0x00	RW
0x0F	DAC04_VOL	[7:0]	DAC04_VOL									0x00	RW
0x10	DAC05_VOL	[7:0]	DAC05_VOL									0x00	RW
0x11	DAC06_VOL	[7:0]	DAC06_VOL									0x00	RW
0x12	DAC07_VOL	[7:0]	DAC07_VOL									0x00	RW
0x13	DAC08_VOL	[7:0]	DAC08_VOL									0x00	RW
0x14	DAC09_VOL	[7:0]	DAC09_VOL									0x00	RW
0x15	DAC10_VOL	[7:0]	DAC10_VOL									0x00	RW
0x16	DAC11_VOL	[7:0]	DAC11_VOL									0x00	RW
0x17	DAC12_VOL	[7:0]	DAC12_VOL									0x00	RW
0x1C	PAD_STRGTH	[7:0]	RESERVED		PAD_DRV	RESERVED					0x00	RW	
0x1D	DAC_POWER1	[7:0]	DAC04_POWER		DAC03_POWER		DAC02_POWER		DAC01_POWER			0xAA	RW
0x1E	DAC_POWER2	[7:0]	DAC08_POWER		DAC07_POWER		DAC06_POWER		DAC05_POWER			0xAA	RW
0x1F	DAC_POWER3	[7:0]	DAC12_POWER		DAC11_POWER		DAC10_POWER		DAC09_POWER			0xAA	RW



## REGISTER DETAILS

## PLL AND CLOCK CONTROL 0 REGISTER

Address: 0x00, Reset: 0x00, Name: PLL\_CLK\_CTRL0

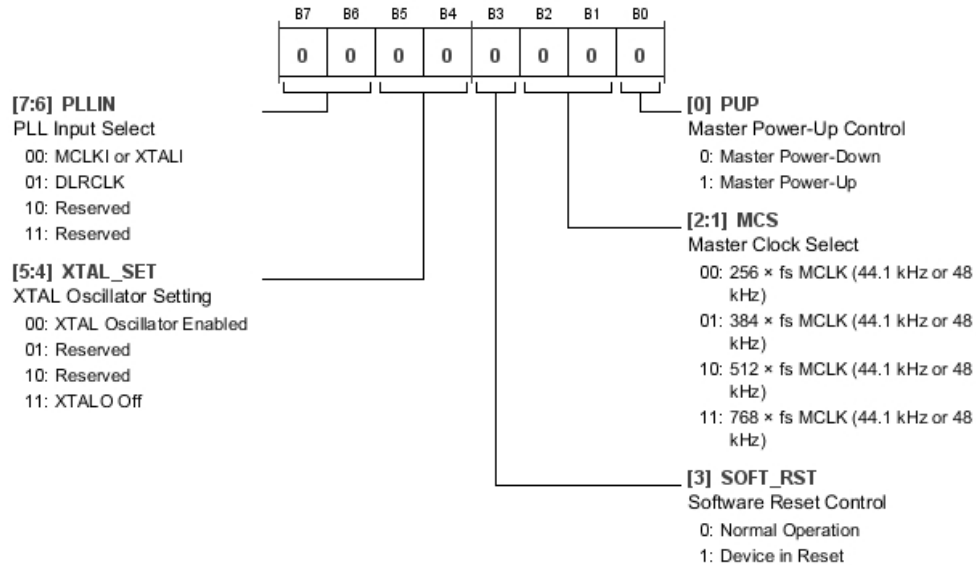
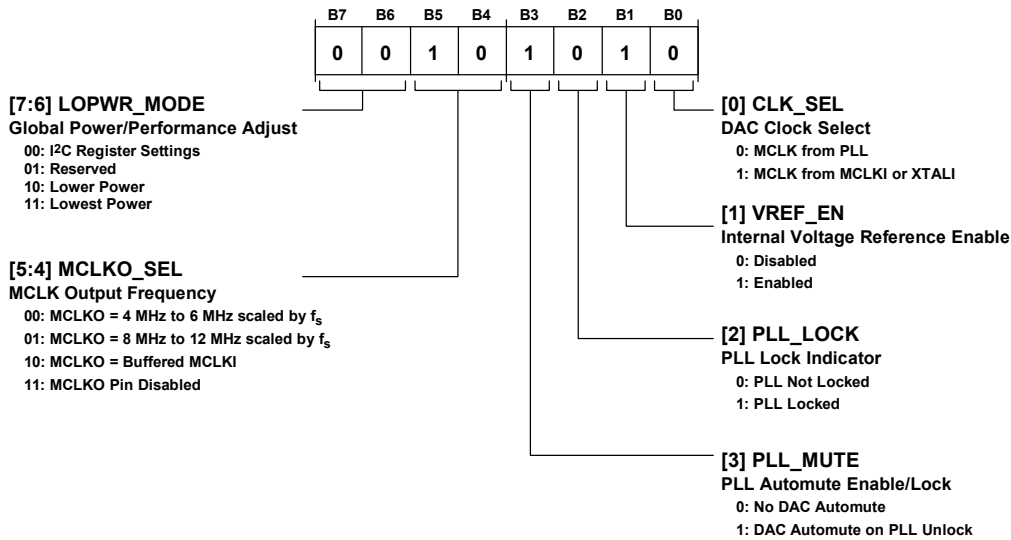


Table 25. Bit Descriptions for PLL\_CLK\_CTRL0

Bits	Bit Name	Settings	Description	Reset	Access
[7:6]	PLLIN	00 01 10 11	PLL Input Select. Selects between MCLKI/XTALI and DLRCLK as the input to the PLL. MCLKI or XTALI. DLRCLK. Reserved. Reserved.	0x0	RW
[5:4]	XTAL_SET	00 01 10 11	XTAL Oscillator Setting. XTALO pin status. XTAL Oscillator Enabled. Reserved. Reserved. XTALO Off.	0x0	RW
3	SOFT_RST	0 1	Software Reset Control. This bit resets all circuitry inside the IC, except I <sup>2</sup> C/SPI communications. All control registers are reset to default values, except Register 0x00 and Register 0x01. The PLL_CLK_CTRLx registers do not change state. Normal Operation. Device in Reset.	0x0	RW
[2:1]	MCS	00 01 10 11	Master Clock Select. MCLKI/XTALI pin functionality (PLL active), master clock rate setting. The following values are for the $f_s$ rate range from 32 kHz to 48 kHz. See Table 12 for details when using other $f_s$ selections. $256 \times f_s$ MCLK (44.1 kHz or 48 kHz). $384 \times f_s$ MCLK (44.1 kHz or 48 kHz). $512 \times f_s$ MCLK (44.1 kHz or 48 kHz). $768 \times f_s$ MCLK (44.1 kHz or 48 kHz).	0x0	RW
0	PUP	0 1	Master Power-Up Control. This bit must be set to 1 as the first register write to power up the IC. Master Power-Down. Master Power-Up.	0x0	RW

**PLL AND CLOCK CONTROL 1 REGISTER**

Address: 0x01, Reset: 0x2A, Name: PLL\_CLK\_CTRL1



**Table 26. Bit Descriptions for PLL\_CLK\_CTRL1**

Bits	Bit Name	Settings	Description	Reset	Access
[7:6]	LOPWR_MODE	00 01 10 11	Global Power/Performance Adjust. These bits adjust the power consumption and performance level for all 12 DAC channels at once. See the DACs section for more details. I <sup>2</sup> C Register Settings. Reserved. Lower Power. Lowest Power.	0x0	RW
[5:4]	MCLKO_SEL	00 01 10 11	MCLK Output Frequency. Frequency selection for MCLKO pin. See the Clock Signals section for more details. MCLKO = 4 MHz to 6 MHz scaled by $f_s$ . MCLKO = 8 MHz to 12 MHz scaled by $f_s$ . MCLKO = Buffered MCLKI. MCLKO Pin Disabled.	0x2	RW
3	PLL_MUTE	0 1	PLL Automute Enable/Lock. This bit enables the PLL lock automute function. No DAC Automute. DAC Automute on PLL Unlock.	0x1	RW
2	PLL_LOCK	0 1	PLL Lock Indicator. PLL Not Locked. PLL Locked.	0x0	R
1	VREF_EN	0 1	Internal Voltage Reference Enable. The internal voltage reference powers the common mode for the ADAU1962A. Disabling this bit allows the user to drive the CM pin with an outside voltage source. Disabled. Enabled.	0x1	RW
0	CLK_SEL	0 1	DAC Clock Select. Selects between PLL and direct MCLK mode. MCLK from PLL. MCLK from MCLKI or XTALI.	0x0	RW

**BLOCK POWER-DOWN AND THERMAL SENSOR CONTROL 1 REGISTER**

Address: 0x02, Reset: 0xA0, Name: PDN\_THRMSSENS\_CTRL\_1

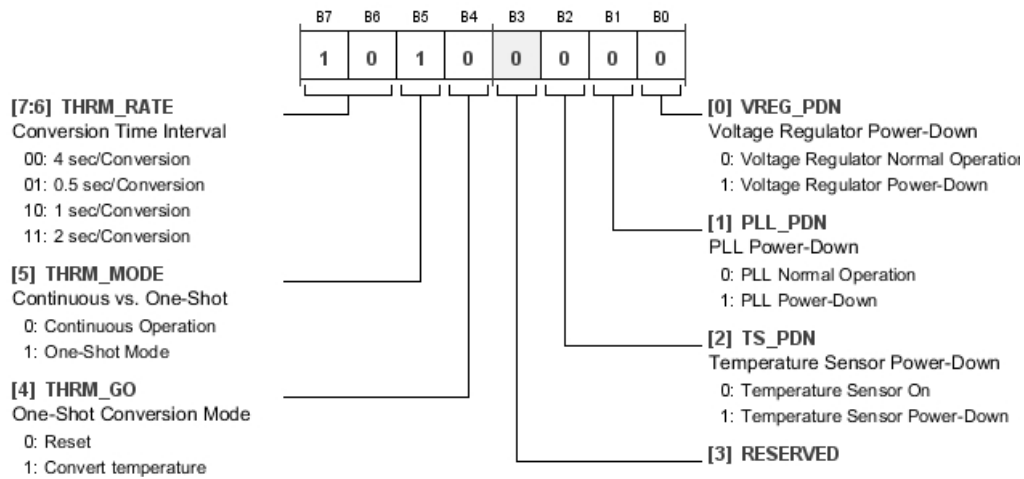


Table 27. Bit Descriptions for PDN\_THRMSSENS\_CTRL\_1

Bits	Bit Name	Settings	Description	Reset	Access
[7:6]	THRM_RATE	00 01 10 11	Conversion Time Interval. When THRM_MODE = 0, the THRM_RATE bits control the time interval between temperature conversions. 4 sec/Conversion. 0.5 sec/Conversion. 1 sec/Conversion. 2 sec/Conversion.	0x2	RW
5	THRM_MODE	0 1	Continuous vs. One-Shot. Determines whether the temperature conversions occur continuously or only when commanded. To perform one-shot temperature conversions, set this bit to 1. Continuous Operation. One-Shot Mode.	0x1	RW
4	THRM_GO	0 1	One-Shot Conversion Mode. When in one-shot conversion mode, THRM_MODE = 1, the THRM_GO bit must be set to 0 followed by a write of 1. This sequence results in a single temperature conversion. The temperature data is available 120 ms after writing a 1 to this bit. Reset. Convert Temperature.	0x0	RW
2	TS_PDN	0 1	Temperature Sensor Power-Down. Temperature Sensor On. Temperature Sensor Power-Down.	0x0	RW
1	PLL_PDN	0 1	PLL Power-Down. PLL Normal Operation. PLL Power-Down.	0x0	RW
0	VREG_PDN	0 1	Voltage Regulator Power-Down. Voltage Regulator Normal Operation. Voltage Regulator Power-Down.	0x0	RW

**POWER-DOWN CONTROL 2 REGISTER**

Address: 0x03, Reset: 0x00, Name: PDN\_CTRL2

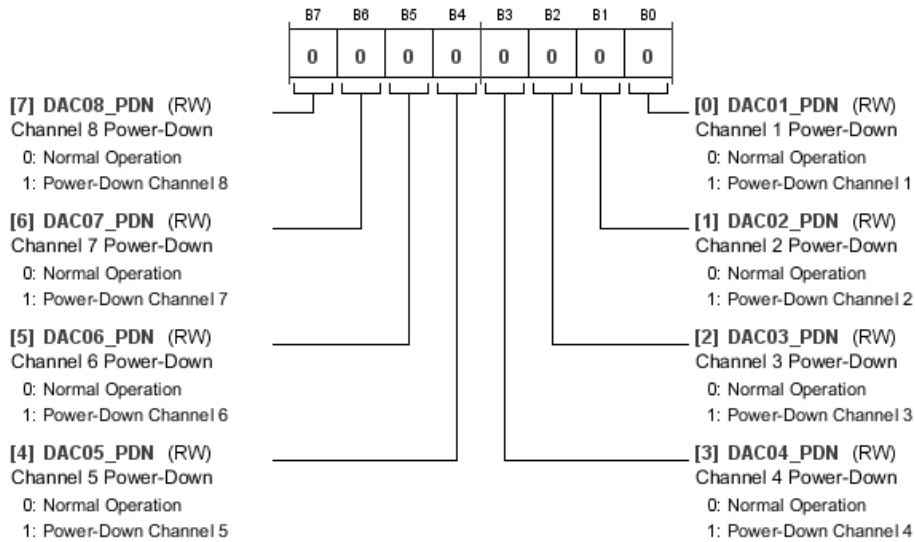


Table 28. Bit Descriptions for PDN\_CTRL2

Bits	Bit Name	Settings	Description	Reset	Access
7	DAC08_PDN	0 1	Channel 8 Power-Down Normal Operation Power-Down Channel 8	0x0	RW
6	DAC07_PDN	0 1	Channel 7 Power-Down Normal Operation Power-Down Channel 7	0x0	RW
5	DAC06_PDN	0 1	Channel 6 Power-Down Normal Operation Power-Down Channel 6	0x0	RW
4	DAC05_PDN	0 1	Channel 5 Power-Down Normal Operation Power-Down Channel 5	0x0	RW
3	DAC04_PDN	0 1	Channel 4 Power-Down Normal Operation Power-Down Channel 4	0x0	RW
2	DAC03_PDN	0 1	Channel 3 Power-Down Normal Operation Power-Down Channel 3	0x0	RW
1	DAC02_PDN	0 1	Channel 2 Power-Down Normal Operation Power-Down Channel 2	0x0	RW
0	DAC01_PDN	0 1	Channel 1 Power-Down Normal Operation Power-Down Channel 1	0x0	RW

**POWER-DOWN CONTROL 3 REGISTER**

Address: 0x04, Reset: 0x00, Name: PDN\_CTRL3

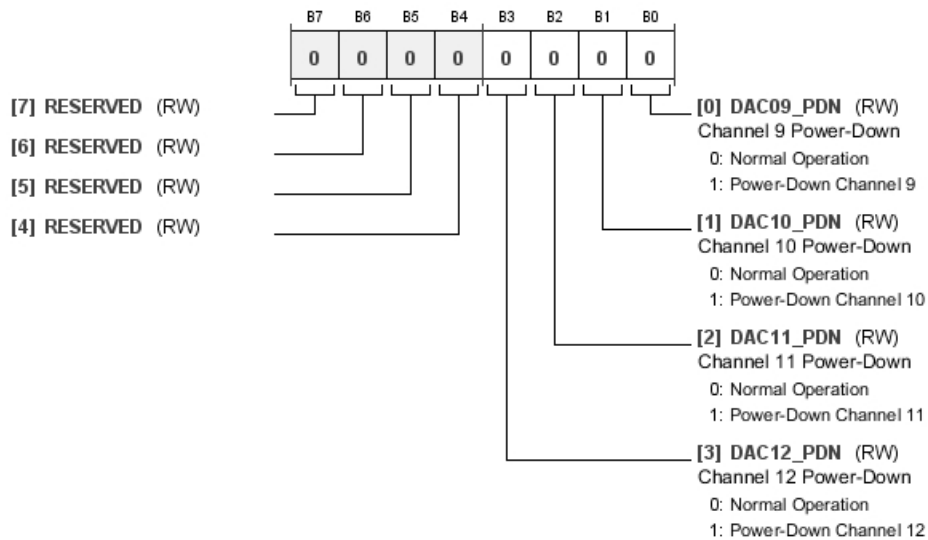


Table 29. Bit Descriptions for PDN\_CTRL3

Bits	Bit Name	Settings	Description	Reset	Access
3	DAC12_PDN	0 1	Channel 12 Power-Down Normal Operation Power-Down Channel 12	0x0	RW
2	DAC11_PDN	0 1	Channel 11 Power-Down Normal Operation Power-Down Channel 11	0x0	RW
1	DAC10_PDN	0 1	Channel 10 Power-Down Normal Operation Power-Down Channel 10	0x0	RW
0	DAC09_PDN	0 1	Channel 9 Power-Down Normal Operation Power-Down Channel 9	0x0	RW

**THERMAL SENSOR TEMPERATURE READOUT REGISTER**

Address: 0x05, Reset: 0x00, Name: THRM\_TEMP\_STAT

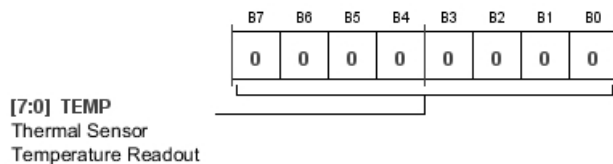
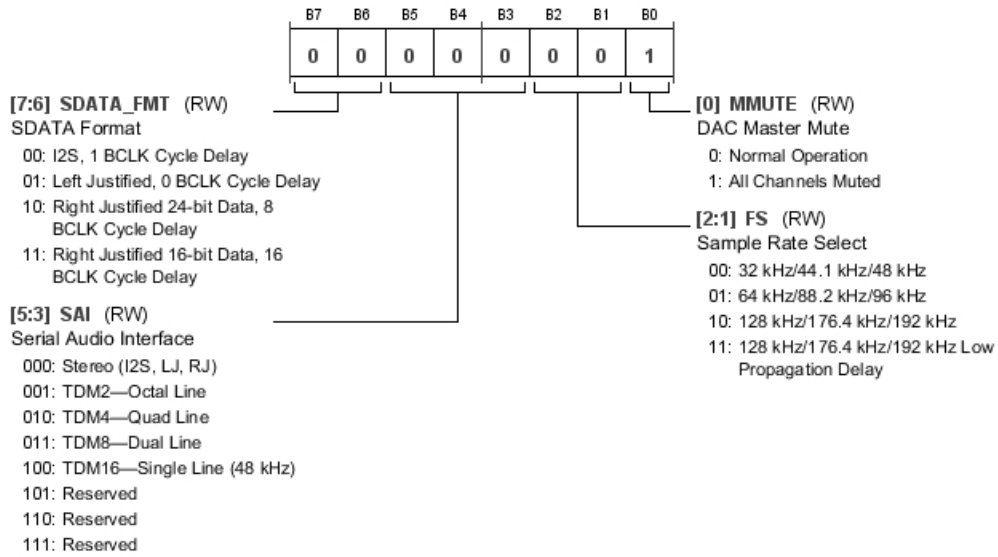


Table 30. Bit Descriptions for THRM\_TEMP\_STAT

Bits	Bit Name	Settings	Description	Reset	Access
[7:0]	TEMP		Thermal Sensor Temperature Readout. –60°C to +140°C range, 1°C step size. To convert the hexadecimal or binary TEMP value into decimal form, use the following equation: (TEMP – 60). The result is the temperature in degrees Celsius.	0x00	R

**DAC CONTROL 0 REGISTER**

Address: 0x06, Reset: 0x01, Name: DAC\_CTRL0



**Table 31. Bit Descriptions for DAC\_CTRL0**

Bits	Bit Name	Settings	Description	Reset	Access
[7:6]	SDATA_FMT	00 01 10 11	SDATA Format. Only used when SAI = 000. I <sup>2</sup> S, 1 BCLK Cycle Delay. Left Justified, 0 BCLK Cycle Delay. Right Justified, 24-Bit Data, 8 BCLK Cycle Delay. Right Justified, 16-Bit Data, 16 BCLK Cycle Delay.	0x0	RW
[5:3]	SAI	000 001 010 011 100 101 110 111	Serial Audio Interface. When SAI = 000, the SDATA_FMT bits control stereo SDATA format. Stereo (I <sup>2</sup> S, LJ, RJ). TDM2—Octal Line. TDM4—Quad Line. TDM8—Dual Line. TDM16—Single Line (48 kHz). Reserved. Reserved. Reserved.	0x0	RW
[2:1]	FS	00 01 10 11	Sample Rate Select. 32 kHz/44.1 kHz/48 kHz. 64 kHz/88.2 kHz/96 kHz. 128 kHz/176.4 kHz/192 kHz. 128 kHz/176.4 kHz/192 kHz Low Propagation Delay.	0x0	RW
0	MMUTE	0 1	DAC Master Mute. Normal Operation. All Channels Muted.	0x1	RW

**DAC CONTROL 1 REGISTER**

Address: 0x07, Reset: 0x00, Name: DAC\_CTRL1

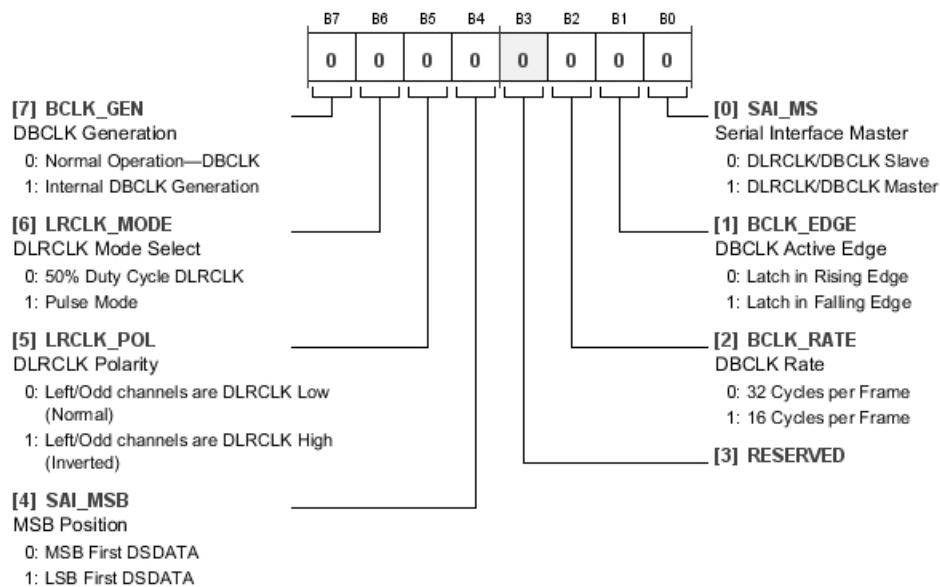


Table 32. Bit Descriptions for DAC\_CTRL1

Bits	Bit Name	Settings	Description	Reset	Access
7	BCLK_GEN	0 1	DBCLK Generation. When the PLL is locked to DLRCLK, it is possible to run the ADAU1962A without an external DBCLK. 0 Normal Operation—DBCLK. 1 Internal DBCLK Generation.	0x0	RW
6	LRCLK_MODE	0 1	DLRCLK Mode Select. Only Valid for TDM modes. 0 50% Duty Cycle DLRCLK. 1 Pulse Mode.	0x0	RW
5	LRCLK_POL	0 1	DLRCLK Polarity. Allows the swapping of data between channels. 0 Left/Odd channels are DLRCLK Low (Normal). 1 Left/Odd channels are DLRCLK High (Inverted).	0x0	RW
4	SAI_MSB	0 1	MSB Position. 0 MSB First DSDATA. 1 LSB First DSDATA.	0x0	RW
2	BCLK_RATE	0 1	DBCLK Rate. Number of DBCLK cycles per DLRCLK frame. Used only for generating DBCLK in master mode operation (SAI_MS = 1). 0 32 Cycles per Frame. 1 16 Cycles per Frame.	0x0	RW
1	BCLK_EDGE	0 1	DBCLK Active Edge. Adjust the polarity of the DBCLK leading edge. 0 Latch in Rising Edge. 1 Latch in Falling Edge.	0x0	RW
0	SAI_MS	0 1	Serial Interface Master. Both DLRCLK and DBCLK become the master when enabled. 0 DLRCLK/DBCLK Slave. 1 DLRCLK/DBCLK Master.	0x0	RW

**DAC CONTROL 2 REGISTER**

Address: 0x08, Reset: 0x06, Name: DAC\_CTRL2

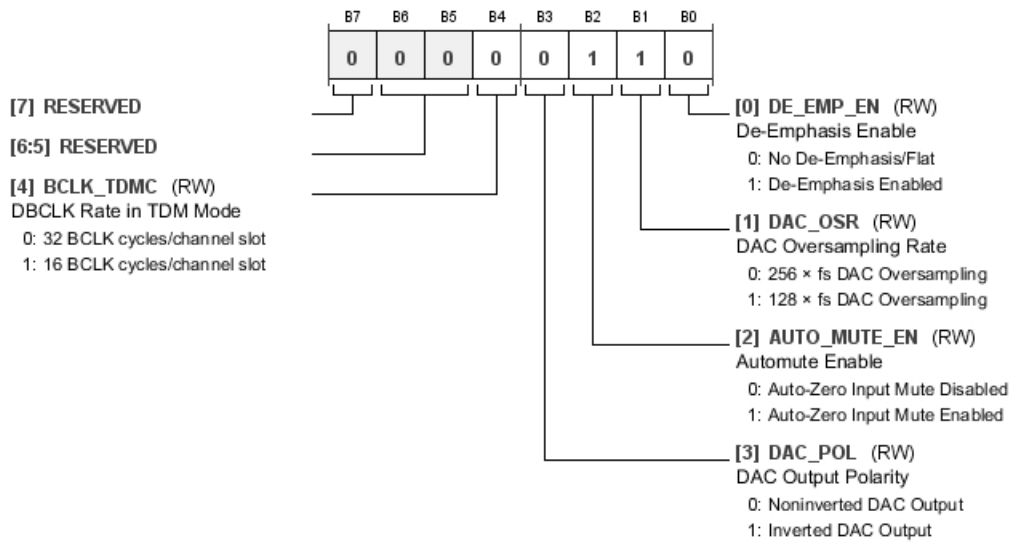


Table 33. Bit Descriptions for DAC\_CTRL2

Bits	Bit Name	Settings	Description	Reset	Access
4	BCLK_TDMC	0 1	DBCLK Rate in TDM Mode. Number of DBCLK cycles per channel slot when in TDM mode. 0 32 BCLK cycles/channel slot. 1 16 BCLK cycles/channel slot.	0x0	RW
3	DAC_POL	0 1	DAC Output Polarity. This is a global switch of DAC polarity. 0 Noninverted DAC Output. 1 Inverted DAC Output.	0x0	RW
2	AUTO_MUTE_EN	0 1	Automute Enable. Automatically mutes the DACs when 1024 consecutive zero input samples are received. This is independent per channel. 0 Auto-Zero Input Mute Disabled. 1 Auto-Zero Input Mute Enabled.	0x1	RW
1	DAC_OSR	0 1	DAC Oversampling Rate. OSR selection. 0 256 × f <sub>s</sub> DAC Oversampling. 1 128 × f <sub>s</sub> DAC Oversampling.	0x1	RW
0	DE_EMP_EN	0 1	De-Emphasis Enable. 0 No De-Emphasis/Flat. 1 De-Emphasis Enabled.	0x0	RW



**DAC INDIVIDUAL CHANNEL MUTES 1 REGISTER**

Address: 0x09, Reset: 0x00, Name: DAC\_MUTE1

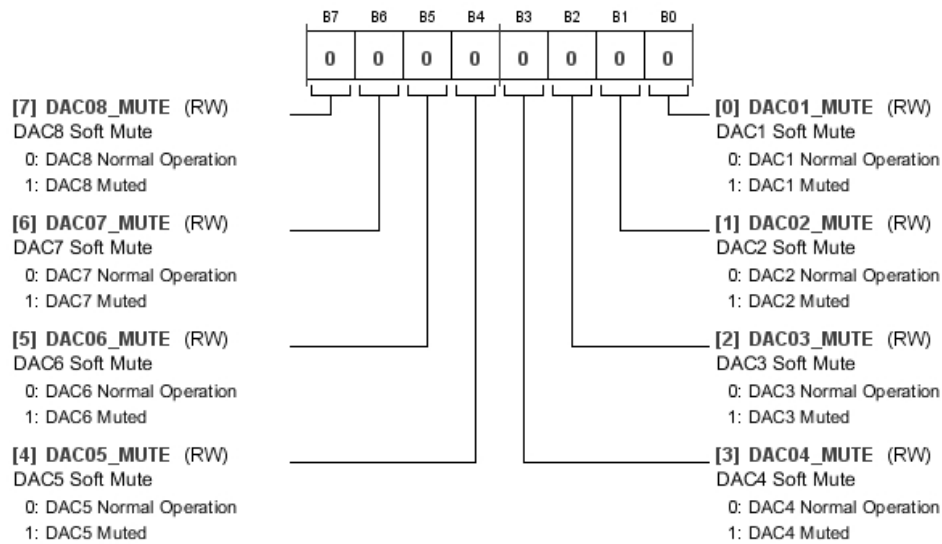


Table 34. Bit Descriptions for DAC\_MUTE1

Bits	Bit Name	Settings	Description	Reset	Access
7	DAC08_MUTE	0 1	DAC8 Soft Mute DAC8 Normal Operation DAC8 Muted	0x0	RW
6	DAC07_MUTE	0 1	DAC7 Soft Mute DAC7 Normal Operation DAC7 Muted	0x0	RW
5	DAC06_MUTE	0 1	DAC6 Soft Mute DAC6 Normal Operation DAC6 Muted	0x0	RW
4	DAC05_MUTE	0 1	DAC5 Soft Mute DAC5 Normal Operation DAC5 Muted	0x0	RW
3	DAC04_MUTE	0 1	DAC4 Soft Mute DAC4 Normal Operation DAC4 Muted	0x0	RW
2	DAC03_MUTE	0 1	DAC3 Soft Mute DAC3 Normal Operation DAC3 Muted	0x0	RW
1	DAC02_MUTE	0 1	DAC2 Soft Mute DAC2 Normal Operation DAC2 Muted	0x0	RW
0	DAC01_MUTE	0 1	DAC1 Soft Mute DAC1 Normal Operation DAC1 Muted	0x0	RW

**DAC INDIVIDUAL CHANNEL MUTES 2 REGISTER**

Address: 0x0A, Reset: 0x00, Name: DAC\_MUTE2

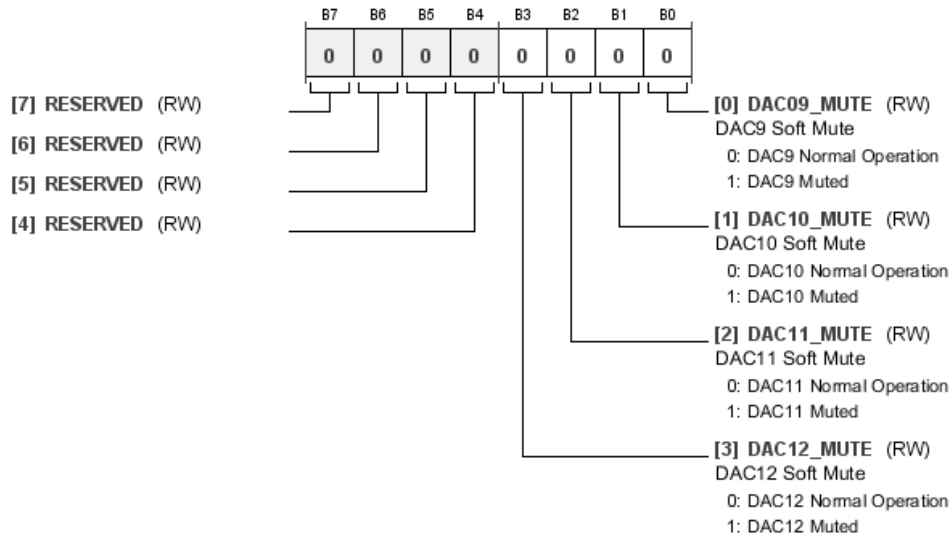


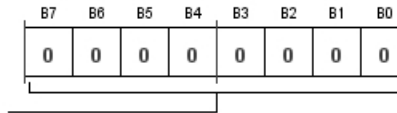
Table 35. Bit Descriptions for DAC\_MUTE2

Bits	Bit Name	Settings	Description	Reset	Access
3	DAC12_MUTE	0 1	DAC12 Soft Mute DAC12 Normal Operation DAC12 Muted	0x0	RW
2	DAC11_MUTE	0 1	DAC11 Soft Mute DAC11 Normal Operation DAC11 Muted	0x0	RW
1	DAC10_MUTE	0 1	DAC10 Soft Mute DAC10 Normal Operation DAC10 Muted	0x0	RW
0	DAC09_MUTE	0 1	DAC9 Soft Mute DAC9 Normal Operation DAC9 Muted	0x0	RW

**MASTER VOLUME CONTROL REGISTER**

Address: 0x0B, Reset: 0x00, Name: DACMSTR\_VOL

Each 1-bit step corresponds to a 0.375 dB change in volume. See Table 53 for a complete list of the volume settings.



**[7:0] DACMSTR\_VOL**  
 Master Volume Control  
 00000000: 0 dB (default)  
 00000001: -0.375 dB  
 00000010: -0.750 dB  
 11111110: -95.250 dB  
 11111111: -95.625 dB

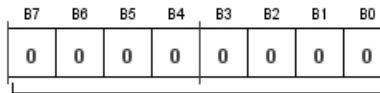
Table 36. Bit Descriptions for DACMSTR\_VOL

Bits	Bit Name	Settings	Description	Reset	Access
[7:0]	DACMSTR_VOL		Master Volume Control	0x00	RW
		00000000	0 dB (default)		
		00000001	-0.375 dB		
		00000010	-0.750 dB		
		11111110	-95.250 dB		
		11111111	-95.625 dB		

**DAC 1 VOLUME CONTROL REGISTER**

Address: 0x0C, Reset: 0x00, Name: DAC01\_VOL

Each 1-bit step corresponds to a 0.375 dB change in volume. See Table 53 for a complete list of the volume settings.



**[7:0] DAC01\_VOL**  
 DAC Volume Control Channel 1  
 00000000: 0 dB (default)  
 00000001: -0.375 dB  
 00000010: -0.750 dB  
 11111110: -95.250 dB  
 11111111: -95.625 dB

Table 37. Bit Descriptions for DAC01\_VOL

Bits	Bit Name	Settings	Description	Reset	Access
[7:0]	DAC01_VOL		DAC Volume Control Channel 1	0x00	RW
		00000000	0 dB (default)		
		00000001	-0.375 dB		
		00000010	-0.750 dB		
		11111110	-95.250 dB		
		11111111	-95.625 dB		

**DAC 2 VOLUME CONTROL REGISTER**

Address: 0x0D, Reset: 0x00, Name: DAC02\_VOL

Each 1-bit step corresponds to a 0.375 dB change in volume. See Table 53 for a complete list of the volume settings.

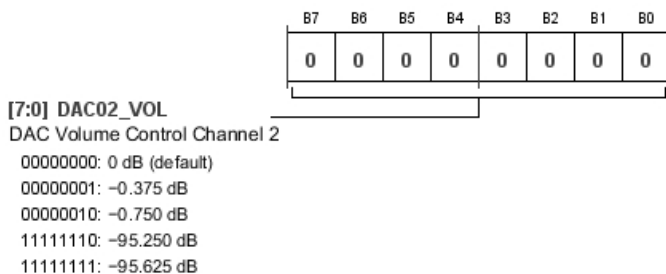


Table 38. Bit Descriptions for DAC02\_VOL

Bits	Bit Name	Settings	Description	Reset	Access
[7:0]	DAC02_VOL		DAC Volume Control Channel 2	0x00	RW
		00000000	0 dB (default)		
		00000001	-0.375 dB		
		00000010	-0.750 dB		
		11111110	-95.250 dB		
		11111111	-95.625 dB		

**DAC 3 VOLUME CONTROL REGISTER**

Address: 0x0E, Reset: 0x00, Name: DAC03\_VOL

Each 1-bit step corresponds to a 0.375 dB change in volume. See Table 53 for a complete list of the volume settings.

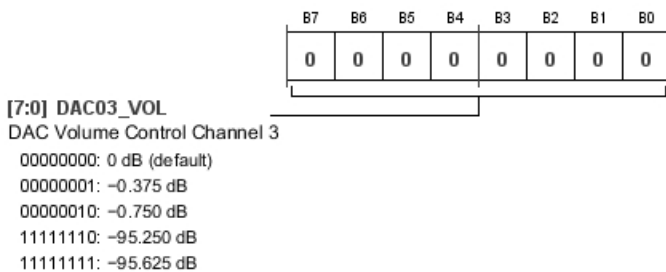


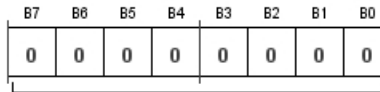
Table 39. Bit Descriptions for DAC03\_VOL

Bits	Bit Name	Settings	Description	Reset	Access
[7:0]	DAC03_VOL		DAC Volume Control Channel 3	0x00	RW
		00000000	0 dB (default)		
		00000001	-0.375 dB		
		00000010	-0.750 dB		
		11111110	-95.250 dB		
		11111111	-95.625 dB		

**DAC 4 VOLUME CONTROL REGISTER**

Address: 0x0F, Reset: 0x00, Name: DAC04\_VOL

Each 1-bit step corresponds to a 0.375 dB change in volume. See Table 53 for a complete list of the volume settings.

**[7:0] DAC04\_VOL**

DAC Volume Control Channel 4

00000000: 0 dB (default)

00000001: -0.375 dB

00000010: -0.750 dB

11111110: -95.250 dB

11111111: -95.625 dB

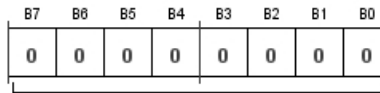
Table 40. Bit Descriptions for DAC04\_VOL

Bits	Bit Name	Settings	Description	Reset	Access
[7:0]	DAC04_VOL	00000000 00000001 00000010 11111110 11111111	DAC Volume Control Channel 4 0 dB (default) -0.375 dB -0.750 dB -95.250 dB -95.625 dB	0x00	RW

**DAC 5 VOLUME CONTROL REGISTER**

Address: 0x10, Reset: 0x00, Name: DAC05\_VOL

Each 1-bit step corresponds to a 0.375 dB change in volume. See Table 53 for a complete list of the volume settings.

**[7:0] DAC05\_VOL**

DAC Volume Control Channel 5

00000000: 0 dB (default)

00000001: -0.375 dB

00000010: -0.750 dB

11111110: -95.250 dB

11111111: -95.625 dB

Table 41. Bit Descriptions for DAC05\_VOL

Bits	Bit Name	Settings	Description	Reset	Access
[7:0]	DAC05_VOL	00000000 00000001 00000010 11111110 11111111	DAC Volume Control Channel 5 0 dB (default) -0.375 dB -0.750 dB -95.250 dB -95.625 dB	0x00	RW

**DAC 6 VOLUME CONTROL REGISTER**

Address: 0x11, Reset: 0x00, Name: DAC06\_VOL

Each 1-bit step corresponds to a 0.375 dB change in volume. See Table 53 for a complete list of the volume settings.

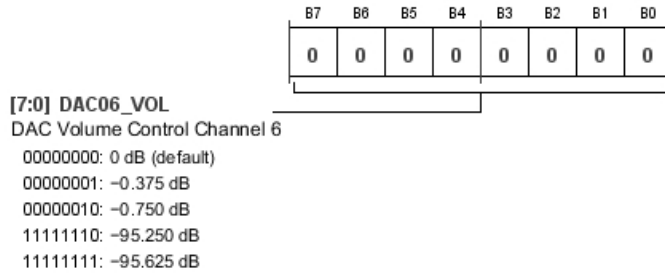


Table 42. Bit Descriptions for DAC06\_VOL

Bits	Bit Name	Settings	Description	Reset	Access
[7:0]	DAC06_VOL	00000000 00000001 00000010 11111110 11111111	DAC Volume Control Channel 6 0 dB (default) -0.375 dB -0.750 dB -95.250 dB -95.625 dB	0x00	RW

**DAC 7 VOLUME CONTROL REGISTER**

Address: 0x12, Reset: 0x00, Name: DAC07\_VOL

Each 1-bit step corresponds to a 0.375 dB change in volume. See Table 53 for a complete list of the volume settings.

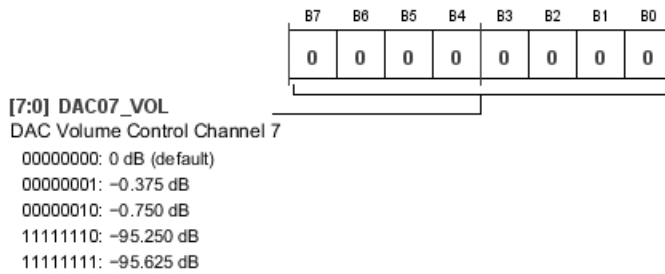


Table 43. Bit Descriptions for DAC07\_VOL

Bits	Bit Name	Settings	Description	Reset	Access
[7:0]	DAC07_VOL	00000000 00000001 00000010 11111110 11111111	DAC Volume Control Channel 7 0 dB (default) -0.375 dB -0.750 dB -95.250 dB -95.625 dB	0x00	RW

**DAC 8 VOLUME CONTROL REGISTER**

Address: 0x13, Reset: 0x00, Name: DAC08\_VOL

Each 1-bit step corresponds to a 0.375 dB change in volume. See Table 53 for a complete list of the volume settings.

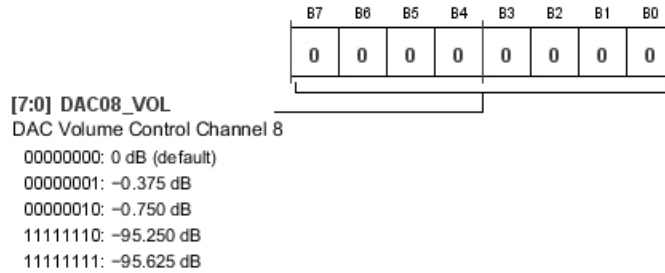


Table 44. Bit Descriptions for DAC08\_VOL

Bits	Bit Name	Settings	Description	Reset	Access
[7:0]	DAC08_VOL	00000000 00000001 00000010 11111110 11111111	DAC Volume Control Channel 8 0 dB (default) -0.375 dB -0.750 dB -95.250 dB -95.625 dB	0x00	RW

**DAC 9 VOLUME CONTROL REGISTER**

Address: 0x14, Reset: 0x00, Name: DAC09\_VOL

Each 1-bit step corresponds to a 0.375 dB change in volume. See Table 53 for a complete list of the volume settings.

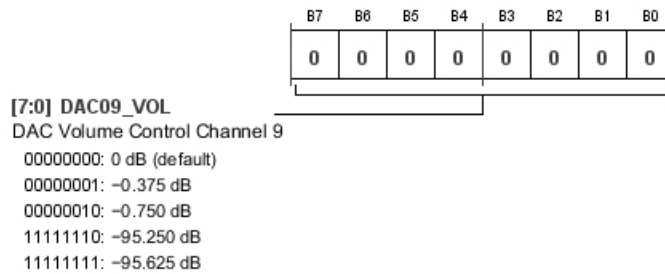


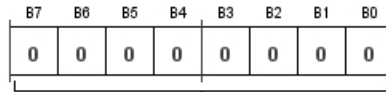
Table 45. Bit Descriptions for DAC09\_VOL

Bits	Bit Name	Settings	Description	Reset	Access
[7:0]	DAC09_VOL	00000000 00000001 00000010 11111110 11111111	DAC Volume Control Channel 9 0 dB (default) -0.375 dB -0.750 dB -95.250 dB -95.625 dB	0x00	RW

**DAC 10 VOLUME CONTROL REGISTER**

Address: 0x15, Reset: 0x00, Name: DAC10\_VOL

Each 1-bit step corresponds to a 0.375 dB change in volume. See Table 53 for a complete list of the volume settings.



**[7:0] DAC10\_VOL**  
 DAC Volume Control Channel 10  
 00000000: 0 dB (default)  
 00000001: -0.375 dB  
 00000010: -0.750 dB  
 11111110: -95.250 dB  
 11111111: -95.625 dB

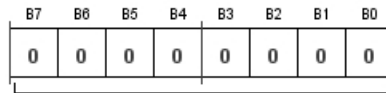
Table 46. Bit Descriptions for DAC10\_VOL

Bits	Bit Name	Settings	Description	Reset	Access
[7:0]	DAC10_VOL		DAC Volume Control Channel 10	0x00	RW
		00000000	0 dB (default)		
		00000001	-0.375 dB		
		00000010	-0.750 dB		
		11111110	-95.250 dB		
		11111111	-95.625 dB		

**DAC 11 VOLUME CONTROL REGISTER**

Address: 0x16, Reset: 0x00, Name: DAC11\_VOL

Each 1-bit step corresponds to a 0.375 dB change in volume. See Table 53 for a complete list of the volume settings.



**[7:0] DAC11\_VOL**  
 DAC Volume Control Channel 11  
 00000000: 0 dB (default)  
 00000001: -0.375 dB  
 00000010: -0.750 dB  
 11111110: -95.250 dB  
 11111111: -95.625 dB

Table 47. Bit Descriptions for DAC11\_VOL

Bits	Bit Name	Settings	Description	Reset	Access
[7:0]	DAC11_VOL		DAC Volume Control Channel 11	0x00	RW
		00000000	0 dB (default)		
		00000001	-0.375 dB		
		00000010	-0.750 dB		
		11111110	-95.250 dB		
		11111111	-95.625 dB		



**DAC 12 VOLUME CONTROL REGISTER**

Address: 0x17, Reset: 0x00, Name: DAC12\_VOL

Each 1-bit step corresponds to a 0.375 dB change in volume. See Table 53 for a complete list of the volume settings.

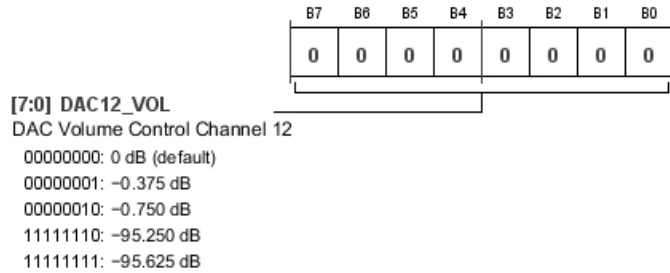


Table 48. Bit Descriptions for DAC12\_VOL

Bits	Bit Name	Settings	Description	Reset	Access
[7:0]	DAC12_VOL	00000000 00000001 00000010 11111110 11111111	DAC Volume Control Channel 12 0 dB (default) -0.375 dB -0.750 dB -95.250 dB -95.625 dB	0x00	RW

**PAD STRENGTH REGISTER**

Address: 0x1C, Reset: 0x00, Name: PAD\_STRGTH

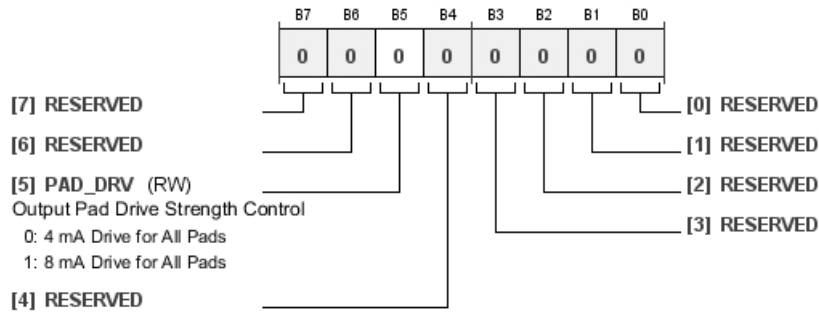
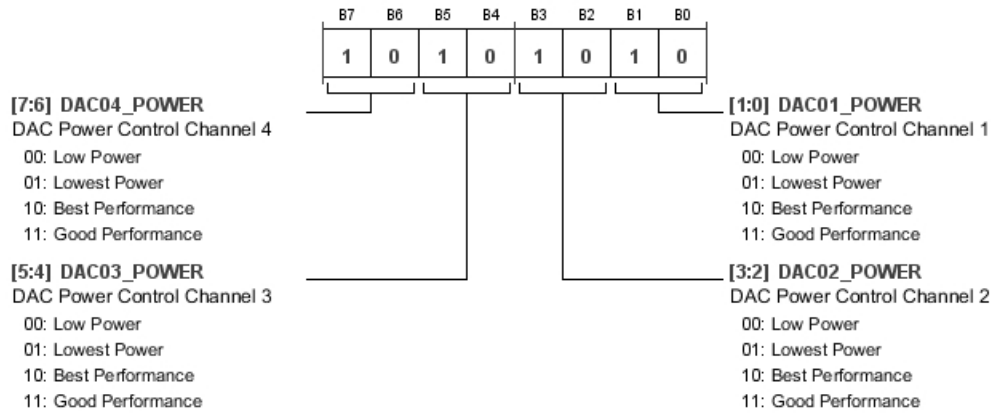


Table 49. Bit Descriptions for PAD\_STRGTH

Bits	Bit Name	Settings	Description	Reset	Access
5	PAD_DRV	0 1	Output Pad Drive Strength Control 4 mA Drive for All Pads 8 mA Drive for All Pads	0x0	RW

**DAC POWER ADJUST 1 REGISTER**

Address: 0x1D, Reset: 0xAA, Name: DAC\_POWER1

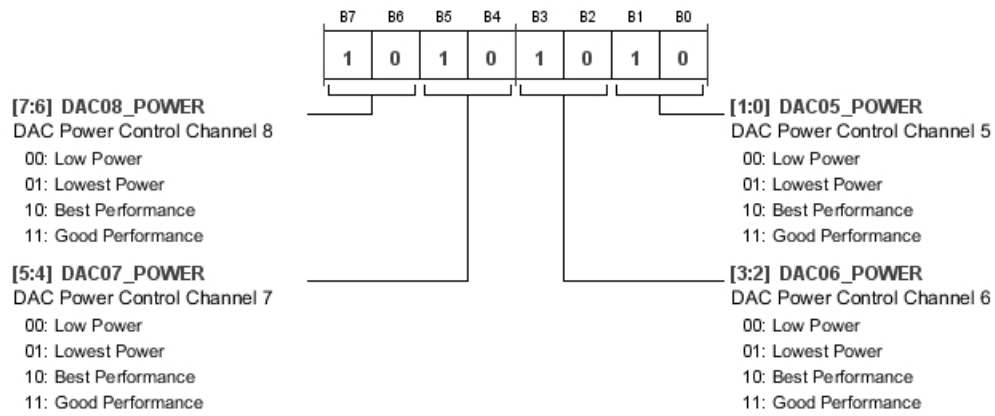


**Table 50. Bit Descriptions for DAC\_POWER1**

Bits	Bit Name	Settings	Description	Reset	Access
[7:6]	DAC04_POWER	00 01 10 11	DAC Power Control Channel 4 Low Power Lowest Power Best Performance Good Performance	0x2	RW
[5:4]	DAC03_POWER	00 01 10 11	DAC Power Control Channel 3 Low Power Lowest Power Best Performance Good Performance	0x2	RW
[3:2]	DAC02_POWER	00 01 10 11	DAC Power Control Channel 2 Low Power Lowest Power Best Performance Good Performance	0x2	RW
[1:0]	DAC01_POWER	00 01 10 11	DAC Power Control Channel 1 Low Power Lowest Power Best Performance Good Performance	0x2	RW

**DAC POWER ADJUST 2 REGISTER**

Address: 0x1E, Reset: 0xAA, Name: DAC\_POWER2



**Table 51. Bit Descriptions for DAC\_POWER2**

Bits	Bit Name	Settings	Description	Reset	Access
[7:6]	DAC08_POWER	00 01 10 11	DAC Power Control Channel 8 Low Power Lowest Power Best Performance Good Performance	0x2	RW
[5:4]	DAC07_POWER	00 01 10 11	DAC Power Control Channel 7 Low Power Lowest Power Best Performance Good Performance	0x2	RW
[3:2]	DAC06_POWER	00 01 10 11	DAC Power Control Channel 6 Low Power Lowest Power Best Performance Good Performance	0x2	RW
[1:0]	DAC05_POWER	00 01 10 11	DAC Power Control Channel 5 Low Power Lowest Power Best Performance Good Performance	0x2	RW

**DAC POWER ADJUST 3 REGISTER**

Address: 0x1F, Reset: 0xAA, Name: DAC\_POWER3

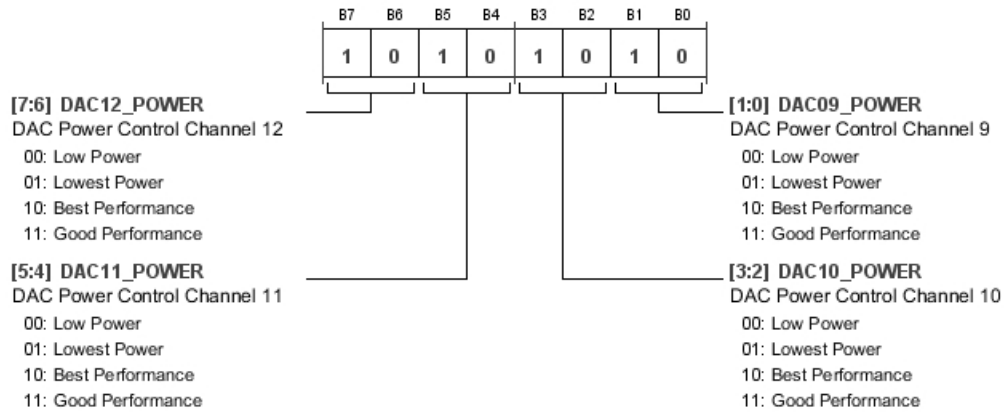


Table 52. Bit Descriptions for DAC\_POWER3

Bits	Bit Name	Settings	Description	Reset	Access
[7:6]	DAC12_POWER	00 01 10 11	DAC Power Control Channel 12 Low Power Lowest Power Best Performance Good Performance	0x2	RW
[5:4]	DAC11_POWER	00 01 10 11	DAC Power Control Channel 11 Low Power Lowest Power Best Performance Good Performance	0x2	RW
[3:2]	DAC10_POWER	00 01 10 11	DAC Power Control Channel 10 Low Power Lowest Power Best Performance Good Performance	0x2	RW
[1:0]	DAC09_POWER	00 01 10 11	DAC Power Control Channel 9 Low Power Lowest Power Best Performance Good Performance	0x2	RW

Table 53. Volume Settings

Binary Value	Hex Value	Volume Attenuation (dB)	Binary Value	Hex Value	Volume Attenuation (dB)
00000000	00	0	00110000	30	-18
00000001	01	-0.375	00110001	31	-18.375
00000010	02	-0.75	00110010	32	-18.75
00000011	03	-1.125	00110011	33	-19.125
00000100	04	-1.5	00110100	34	-19.5
00000101	05	-1.875	00110101	35	-19.875
00000110	06	-2.25	00110110	36	-20.25
00000111	07	-2.625	00110111	37	-20.625
00001000	08	-3	00111000	38	-21
00001001	09	-3.375	00111001	39	-21.375
00001010	0A	-3.75	00111010	3A	-21.75
00001011	0B	-4.125	00111011	3B	-22.125
00001100	0C	-4.5	00111100	3C	-22.5
00001101	0D	-4.875	00111101	3D	-22.875
00001110	0E	-5.25	00111110	3E	-23.25
00001111	0F	-5.625	00111111	3F	-23.625
00010000	10	-6	01000000	40	-24
00010001	11	-6.375	01000001	41	-24.375
00010010	12	-6.75	01000010	42	-24.75
00010011	13	-7.125	01000011	43	-25.125
00010100	14	-7.5	01000100	44	-25.5
00010101	15	-7.875	01000101	45	-25.875
00010110	16	-8.25	01000110	46	-26.25
00010111	17	-8.625	01000111	47	-26.625
00011000	18	-9	01001000	48	-27
00011001	19	-9.375	01001001	49	-27.375
00011010	1A	-9.75	01001010	4A	-27.75
00011011	1B	-10.125	01001011	4B	-28.125
00011100	1C	-10.5	01001100	4C	-28.5
00011101	1D	-10.875	01001101	4D	-28.875
00011110	1E	-11.25	01001110	4E	-29.25
00011111	1F	-11.625	01001111	4F	-29.625
00100000	20	-12	01010000	50	-30
00100001	21	-12.375	01010001	51	-30.375
00100010	22	-12.75	01010010	52	-30.75
00100011	23	-13.125	01010011	53	-31.125
00100100	24	-13.5	01010100	54	-31.5
00100101	25	-13.875	01010101	55	-31.875
00100110	26	-14.25	01010110	56	-32.25
00100111	27	-14.625	01010111	57	-32.625
00101000	28	-15	01011000	58	-33
00101001	29	-15.375	01011001	59	-33.375
00101010	2A	-15.75	01011010	5A	-33.75
00101011	2B	-16.125	01011011	5B	-34.125
00101100	2C	-16.5	01011100	5C	-34.5
00101101	2D	-16.875	01011101	5D	-34.875
00101110	2E	-17.25	01011110	5E	-35.25
00101111	2F	-17.625	01011111	5F	-35.625

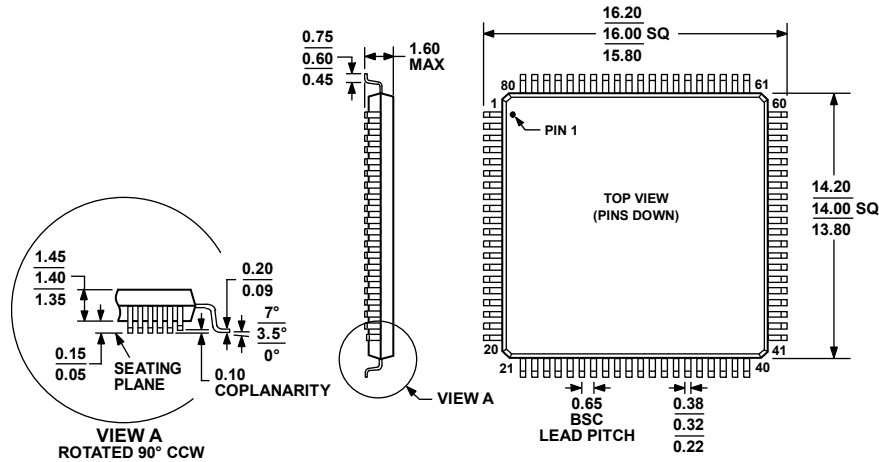
Binary Value	Hex Value	Volume Attenuation (dB)
01100000	60	-36
01100001	61	-36.375
01100010	62	-36.75
01100011	63	-37.125
01100100	64	-37.5
01100101	65	-37.875
01100110	66	-38.25
01100111	67	-38.625
01101000	68	-39
01101001	69	-39.375
01101010	6A	-39.75
01101011	6B	-40.125
01101100	6C	-40.5
01101101	6D	-40.875
01101110	6E	-41.25
01101111	6F	-41.625
01110000	70	-42
01110001	71	-42.375
01110010	72	-42.75
01110011	73	-43.125
01110100	74	-43.5
01110101	75	-43.875
01110110	76	-44.25
01110111	77	-44.625
01111000	78	-45
01111001	79	-45.375
01111010	7A	-45.75
01111011	7B	-46.125
01111100	7C	-46.5
01111101	7D	-46.875
01111110	7E	-47.25
01111111	7F	-47.625
10000000	80	-48
10000001	81	-48.375
10000010	82	-48.75
10000011	83	-49.125
10000100	84	-49.5
10000101	85	-49.875
10000110	86	-50.25
10000111	87	-50.625
10001000	88	-51
10001001	89	-51.375
10001010	8A	-51.75
10001011	8B	-52.125
10001100	8C	-52.5
10001101	8D	-52.875
10001110	8E	-53.25
10001111	8F	-53.625

Binary Value	Hex Value	Volume Attenuation (dB)
10010000	90	-54
10010001	91	-54.375
10010010	92	-54.75
10010011	93	-55.125
10010100	94	-55.5
10010101	95	-55.875
10010110	96	-56.25
10010111	97	-56.625
10011000	98	-57
10011001	99	-57.375
10011010	9A	-57.75
10011011	9B	-58.125
10011100	9C	-58.5
10011101	9D	-58.875
10011110	9E	-59.25
10011111	9F	-59.625
10100000	A0	-60
10100001	A1	-60.375
10100010	A2	-60.75
10100011	A3	-61.125
10100100	A4	-61.5
10100101	A5	-61.875
10100110	A6	-62.25
10100111	A7	-62.625
10101000	A8	-63
10101001	A9	-63.375
10101010	AA	-63.75
10101011	AB	-64.125
10101100	AC	-64.5
10101101	AD	-64.875
10101110	AE	-65.25
10101111	AF	-65.625
10110000	B0	-66
10110001	B1	-66.375
10110010	B2	-66.75
10110011	B3	-67.125
10110100	B4	-67.5
10110101	B5	-67.875
10110110	B6	-68.25
10110111	B7	-68.625
10111000	B8	-69
10111001	B9	-69.375
10111010	BA	-69.75
10111011	BB	-70.125
10111100	BC	-70.5
10111101	BD	-70.875
10111110	BE	-71.25
10111111	BF	-71.625

Binary Value	Hex Value	Volume Attenuation (dB)
11000000	C0	-72
11000001	C1	-72.375
11000010	C2	-72.75
11000011	C3	-73.125
11000100	C4	-73.5
11000101	C5	-73.875
11000110	C6	-74.25
11000111	C7	-74.625
11001000	C8	-75
11001001	C9	-75.375
11001010	CA	-75.75
11001011	CB	-76.125
11001100	CC	-76.5
11001101	CD	-76.875
11001110	CE	-77.25
11001111	CF	-77.625
11010000	D0	-78
11010001	D1	-78.375
11010010	D2	-78.75
11010011	D3	-79.125
11010100	D4	-79.5
11010101	D5	-79.875
11010110	D6	-80.25
11010111	D7	-80.625
11011000	D8	-81
11011001	D9	-81.375
11011010	DA	-81.75
11011011	DB	-82.125
11011100	DC	-82.5
11011101	DD	-82.875
11011110	DE	-83.25
11011111	DF	-83.625

Binary Value	Hex Value	Volume Attenuation (dB)
11100000	E0	-84
11100001	E1	-84.375
11100010	E2	-84.75
11100011	E3	-85.125
11100100	E4	-85.5
11100101	E5	-85.875
11100110	E6	-86.25
11100111	E7	-86.625
11101000	E8	-87
11101001	E9	-87.375
11101010	EA	-87.75
11101011	EB	-88.125
11101100	EC	-88.5
11101101	ED	-88.875
11101110	EE	-89.25
11101111	EF	-89.625
11110000	F0	-90
11110001	F1	-90.375
11110010	F2	-90.75
11110011	F3	-91.125
11110100	F4	-91.5
11110101	F5	-91.875
11110110	F6	-92.25
11110111	F7	-92.625
11111000	F8	-93
11111001	F9	-93.375
11111010	FA	-93.75
11111011	FB	-94.125
11111100	FC	-94.5
11111101	FD	-94.875
11111110	FE	-95.25
11111111	FF	-95.625

OUTLINE DIMENSIONS



COMPLIANT TO JEDEC STANDARDS MS-026-BEC  
 Figure 24. 80-Lead Low Profile Quad Flat Package [LQFP]  
 (ST-80-2)  
 Dimensions shown in millimeters

081706-A

ORDERING GUIDE

Model <sup>1,2</sup>	Temperature Range	Package Description	Package Option
ADAU1962AWBSTZ	-40°C to +105°C	80-Lead LQFP	ST-80-2
ADAU1962AWBSTZ-RL	-40°C to +105°C	80-Lead LQFP, 13" Tape and Reel	ST-80-2
EVAL-ADAU1962AZ		Evaluation Board	

<sup>1</sup> Z = RoHS Compliant Part.  
<sup>2</sup> W = Qualified for Automotive Applications.

AUTOMOTIVE PRODUCTS

The ADAU1962AW models are available with controlled manufacturing to support the quality and reliability requirements of automotive applications. Note that these automotive models may have specifications that differ from the commercial models; therefore, designers should review the Specifications section of this data sheet carefully. Only the automotive grade products shown are available for use in automotive applications. Contact your local Analog Devices account representative for specific product ordering information and to obtain the specific Automotive Reliability reports for these models.

<sup>1</sup>2C refers to a communications protocol originally developed by Philips Semiconductors (now NXP Semiconductors).