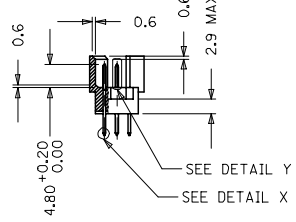
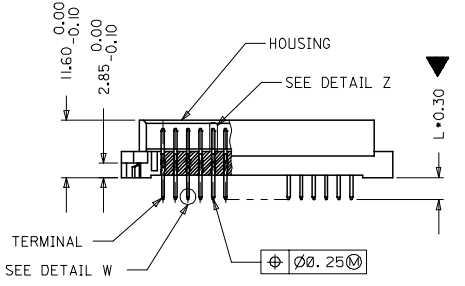
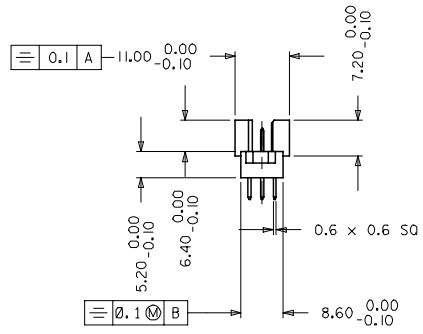
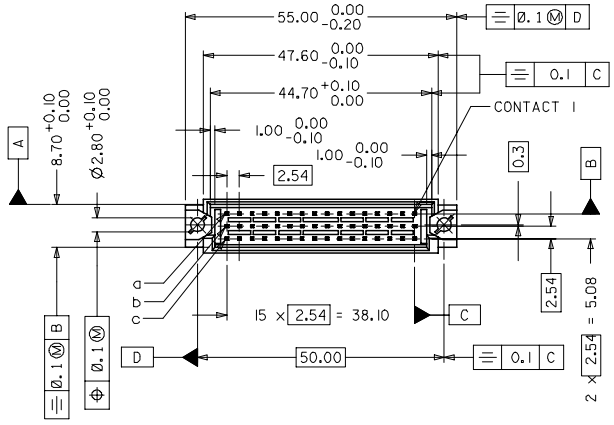
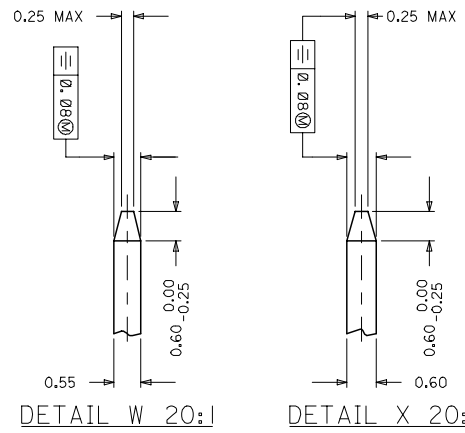
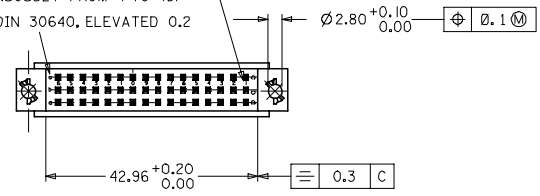


NOTES:

1. MATERIAL NUMBER, BATCH CODE, UL CSA MARKING TO BE PRINTED ON THE CONNECTOR AS PER E-36502-005
2. PRODUCT SPECIFICATION PS:85013-001
3. PACKING SPECIFICATION PK: 36512-001
4. CUT FACES OF TIP WITHOUT PLATING IS PERMITTED
5. REFERENCE AREA OF PLATING
6. GAUGE DRAWING REFER E-36500-100



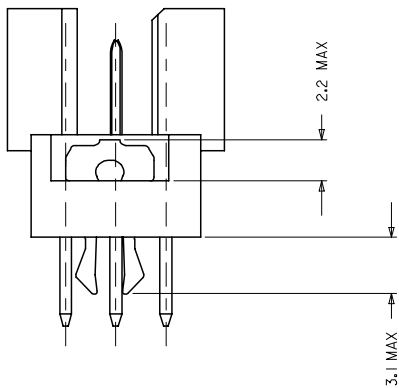
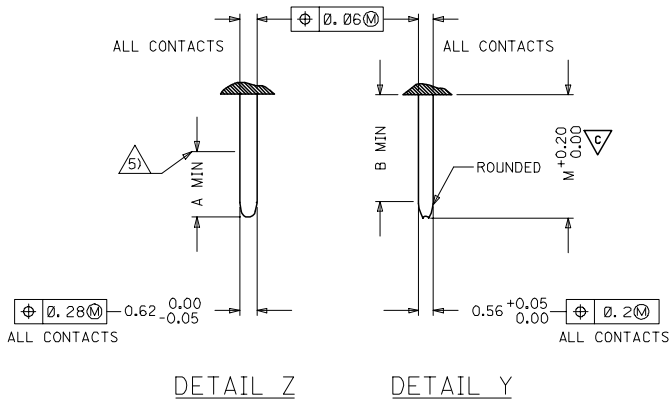
SCRIPT E1.25-5 DIN 30640, ELEVATED 0.2
 (NUMBERED CONTINUOUSLY FROM 1 TO 16)
 SCRIPT E1.5-6 DIN 30640, ELEVATED 0.2



EC NO. 12005-0092 DRAWN SHIVASHA CHKD KRASAI APPR: SUDHIR	QUALITY SYMBOLS ▽=1 ▽=0	GENERAL TOLERANCES (UNLESS SPECIFIED)		DIMENSION STYLE		SCALE	DESIGN UNITS	THIRD ANGLE PROJECTION	
		mm	INCH	MM ONLY		2:1	METRIC		
REVISIONS 1 2 3	4 PLACES ±	±	---	DRAWN BY	DATE	TITLE 48 POS. MALE CONNECTOR ACC. DIN 41612 STYLE R/2 CONTACTS MOLEX INCORPORATED			
	3 PLACES ±0.005	±	---	NS	2004/03/31				
	2 PLACES ±0.05	±	---	CHECKED BY	DATE				
	1 PLACE ±0.1	±	---	GJLOWE	2004/03/31	MATERIAL NO. SEE CHART DOCUMENT NO. E-85013-0002 SHEET NO. 1 OF 2			
	ANGULAR ± 2 °		APPROVED BY	DATE					
DRAFT WHERE APPLICABLE MUST REMAIN WITHIN DIMENSIONS			SEE CHART			THIS DRAWING CONTAINS INFORMATION THAT IS PROPRIETARY TO MOLEX INCORPORATED AND SHOULD NOT BE USED WITHOUT WRITTEN PERMISSION			

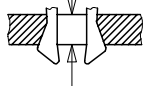
PRE MATING CONTACTS	5.4	4.1	4.8
NORMAL CONTACTS	4.8	3.5	4.2
	M	A	B

MALE CONNECTOR WITH MOUNTING CLIPS



CLIPS SNAP UNDER
PC - BOARD OF
1.5 to 1.8 mm
Fm < 60N
Fr >= 20N
Fr >= 200N, WHEN
SOLDERED IN
PLATED - THROUGH
FIXING HOLES

Fm = MOUNTING FORCE
(FOR ONE CONNECTOR = 2 CLIPS)



FR = RETENTION FORCE
(FOR ONE CONNECTOR = 2 CLIPS)

CLIPS STICK IN
FIXING HOLE OF
PC - BOARDS
OVER 1.8 mm
Fm < 60N
FR >= 16N



EC NO. 12005-0092 DRAWN BY DRWNSHIVASHA CHKD BY CHAKRAPASAI APP: SUDHIR	2004/11/23 2004/11/23 2004/11/23	QUALITY SYMBOLS ▽=0 ▽=1	GENERAL TOLERANCES (UNLESS SPECIFIED)		DIMENSION STYLE	SCALE	DESIGN UNITS	THIRD ANGLE PROJECTION
			mm	INCH	MM ONLY	2:1	METRIC	
DRAWN BY DATE			4 PLACES ±		NS	2004/03/31	TITLE	
CHECKED BY DATE			3 PLACES ±0.005 ±		GJLOWE	2004/03/31	48 POS. MALE CONNECTOR	
APPROVED BY DATE			2 PLACES ±0.05 ±		GJLOWE	2004/03/31	ACC. DIN 41612	
MATERIAL NO.			1 PLACE ±0.1 ±		GJLOWE	2004/03/31	STYLE R/2 CONTACTS	
DOCUMENT NO.			ANGULAR ± 2 °		MATERIAL NO.		MOLEX INCORPORATED	
DRAFT WHERE APPLICABLE MUST REMAIN WITHIN DIMENSIONS			SEE CHART		DOCUMENT NO.		E-85013-0002	
SIZE A1			THIS DRAWING CONTAINS INFORMATION THAT IS PROPRIETARY TO MOLEX INCORPORATED AND SHOULD NOT BE USED WITHOUT WRITTEN PERMISSION		SHEET NO.		2 OF 2	

20 19 18 17 16 15 14 13 12 11 9 8 7 6 5 4 3 2 1

VIEW ON MATING SIDE

○	A	A	A	A	A	A	A	A	A	A	A	A	A	A	A	A	A	A
△	A	A	A	A	A	A	A	A	A	A	A	A	A	A	A	A	A	A
○	A	A	A	A	A	A	A	A	A	A	A	A	A	A	A	A	A	A

- 2 3 4 5 6 7 8 9 10 = 11 12 13 14 15 16

A = 48 STANDARD CONTACTS L = 2.9

MARKING	STANDARD
PERFORMANCE LEVEL	G2/0 = CONTACT AREA LEVEL2 / TERMINATION TIN
FLUX PROOF	NO
FIXING CLIP	NO
DIMENSIONS	E-85013-0002 SHT 1-2

A	G2/0	a1-16 b1-16 c1-16
CONTACT SYMBOL	PERFORMANCE LEVEL	CONTACT POSITION NUMBER

SL. NO.	DESCRIPTION	CONTACT SYMBOL	PART NUMBER	QTY
1	HOUSING		36520-0002	1
2	TERMINAL	A	36527-0005	48

EC NO. I 2004-XXXX DRAWN NS 31/03/04 CHK'd G.L. 31/03/04 APPR G.L. 31/03/04	QUALITY SYMBOLS	GENERAL TOLERANCES: (UNLESS SPECIFIED)	SCALE	DESIGN UNITS	DIMENSIONS:	SHT	REV
	MAJOR MINOR CRITICAL	mm INCH	mm INCH	mm INCH	mm INCH mm INCH	REVISE ON CAD ONLY	
A	DESCRIPTION	4 PLACES ±0. ±	DRAWN BY & DATE NLS 31/03/04	TITLE: 48 POS MALE CONNECTOR ACCORDING DIN 41612 STYLE R/2 CONTACTS ARRANGEMENT			
		3 PLACES ±0. ±	CHECKED BY & DATE G.L. 31/03/04	MOLEX INCORPORATED			
		2 PLACES ±0. ±	APPROVED BY & DATE G.L. 31/03/04				
		1 PLACE ±0. ±					
		ANGULAR ±	CAD FILENAME	MATERIAL NO.	DRAWING NO.	SHEET NO.	
			E-85013-2012.S01	85013-2012	E-85013-2012	1 OF 1	
		DRAFT WHERE APPLICABLE MUST REMAIN WITHIN DIMENSIONS	THIS DRAWING CONTAINS INFORMATION THAT IS PROPRIETARY TO MOLEX INCORPORATED AND SHOULD NOT BE USED WITHOUT WRITTEN PERMISSION.				
							SIZE D

19 18 17 16 15 14 13 12 11 10 9 8 7 6 5 4 3 2 1

20 19 18 17 16 15 14 13 12 11 9 8 7 6 5 4 3 2 1


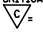
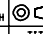
VIEW ON MATING SIDE

○	A	A	A	A	A	A	A	A	A	A	A	A	A	A	A	A	A	A	A	A
△	A	A	A	A	A	A	A	A	A	A	A	A	A	A	A	A	A	A	A	A
○	A	A	A	A	A	A	A	A	A	A	A	A	A	A	A	A	A	A	A	A
	-	2	3	4	5	6	7	8	9	10	=	12	13	14	15	16				

A = 48 STANDARD CONTACTS L = 2.9

MARKING	STANDARD
PERFORMANCE LEVEL	G2/0 = CONTACT AREA LEVEL2 / TERMINATION TIN
FLUX PROOF	NO
FIXING CLIP	NO
DIMENSIONS	SD-85013-0002 SHT 1

A	G2/0	a1-16 b1-16 c1-16
CONTACT SYMBOL	PERFORMANCE LEVEL	CONTACT POSITION NUMBER

EC NO. I 2004-XXXX DRAWN BY N.S. 11/10/01 CHK BY G.L. 11/10/01 APPR BY G.L. 11/10/01	QUALITY SYMBOLS MAJOR  CRITICAL 	GENERAL TOLERANCES: (UNLESS SPECIFIED) 4 PLACES $\pm 0.$ mm $\pm .$ INCH 3 PLACES $\pm 0.$ mm $\pm .$ INCH 2 PLACES $\pm 0.$ mm $\pm .$ INCH 1 PLACE $\pm 0.$ mm $\pm .$ INCH	SCALE <input checked="" type="checkbox"/> MM <input type="checkbox"/> INCH DESIGN UNITS DRAWN BY & DATE N.S. 11/10/01 CHECKED BY & DATE G.L. 11/10/01 APPROVED BY & DATE G.L. 11/10/01	DIMENSIONS: <input type="checkbox"/> MM <input type="checkbox"/> INCH <input checked="" type="checkbox"/> INCH ONLY THIRD ANGLE PROJECTION 	SHEET NO. 1 OF 1 REVISE ON CAD ONLY
	CAD FILENAME S850132012.S01	MATERIAL NO. 85013-2012	DRAWING NO. SD-85013-2012	TITLE: 48 POS MALE CONNECTOR ACCORDING DIN 41612 STYLE R/2 CONTACTS ARRANGEMENT	Molex MOLEX INCORPORATED

19 18 17 16 15 14 13 12 11 10 9 8 7 6 5 4 3 2 1

VIEW ON MATING SIDE

⊂	A	A	A	A	A	A	A	A	A	A	A	A	A	A	A	A	A	A	A
⊃	A	A	A	A	A	A	A	A	A	A	A	A	A	A	A	A	A	A	A
⊂	A	A	A	A	A	A	A	A	A	A	A	A	A	A	A	A	A	A	A

1 2 3 4 5 6 7 8 9 10 11 12 13 14 15 16 17 18 19 20 21 22 23 24 25 26 27 28 29 30 31 32 33 34 35 36 37 38 39 40 41 42 43 44 45 46 47 48 49 50 51 52 53 54 55 56 57 58 59 60 61 62 63 64 65 66 67 68 69 70 71 72 73 74 75 76 77 78 79 80 81 82 83 84 85 86 87 88 89 90 91 92 93 94 95 96 97 98 99 100

A = 48 STANDARD CONTACTS L-2,9

Marking	Standard
Performance level	G2/0 = Contact area perform. level2 / Termination tin
Flux proof	no
Fixing clip	no
Dimensions	SDA-85013-0002 sht.1
Technical Data	PS-85013-0001

A	G2/0	a1-16	b1-16	c1-16
Contact symbol	Perform. level	Contact position number		

first release see ECN No. 1868	REVISIONS		FOR PREVIOUS REVISIONS SEE MRI LIST	
	LTR	DESCRIPTION	DATE	BY

UNLESS OTHERWISE SPECIFIED TOLERANCES: ANGULAR ± 2°	DRWG BY	SIGN	CAD/CAM PROJECT NAME	SH. REV.
INCH	Ca		s8501320	THIS DRAWING CONTAINS INFORMATION THAT IS PROPRIETARY TO MOLEX INC. & SHOULD NOT BE USED WITHOUT WRITTEN PERMISSION
METRIC	CHK'D BY	SIGN	s11	
3 PLACE ± .	KN			
2 PLACE ± .	APP'D BY	SIGN		
1 PLACE ± .	SCALE			
DRAFT WHERE APPLICABLE MUST REMAIN WITHIN DIMENSIONS	DESIGN DIMENSION	<input type="checkbox"/> MM <input type="checkbox"/> IN.	TITLE	
EQUIVALENT DIMENSION	<input type="checkbox"/> MM <input type="checkbox"/> IN.	48 pos. Male connector acc. DIN 41612 style R/2 contacts arrangement		
IF TWO DIMENSIONS ARE SHOWN, THE UPPER IS THE DESIGN DIMENSION, LOWER IS SECONDARY	PART NO. 85013-2012 DWG NO. SDA-85013-2012 SHEET NO. 1 OF 1 DATE 95/06/07			