



824-849 / 869-894 MHz Ceramic Duplexer

Part Number: AM836-881D177

ANATECH ELECTRONICS INC
RF & Microwave Filters & Products



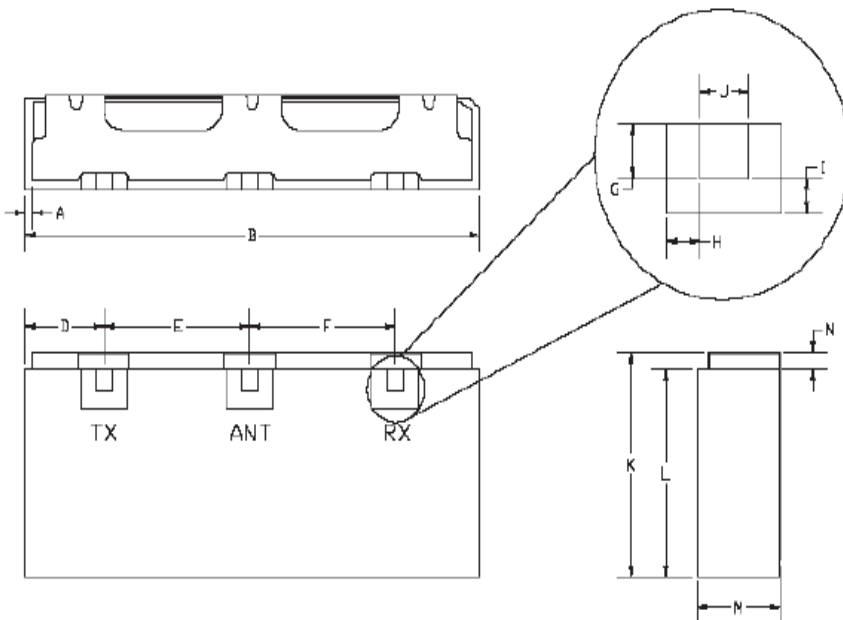
Characteristics	Band 1	Band 2
Passband:	824-849 MHz	869-894 MHz
Bandwidth:	25 MHz	25 MHz
Passband Return Loss:	13 dB	13 dB
Passband Insertion Loss:	2.4 dB	3.3 dB
Passband Ripple:	1.5 dB	2.0 dB
Input / Output Impedance:	50 Ohms	50 Ohms
Isolation:	60 dB	44 dB
Power Handling:	5 W max	5 W max

Mechanical	
Mounting Method:	SMT
Dimensions:	21.54 x 9.7 x 4 mm

Environmental	
Operating Temperature:	-40 to +70 deg.C
Storage Temperature:	-50 to +90 deg.C

This product is RoHs compliant.

Outline Drawing:



Dim	Nominal (mm)	Tolerance (mm) +/- or max
A		
B	21.54	max
C		
D	2.72	0.2
E	7.95	0.2
F	7.95	0.2
G	0.76	0.13
H	1.00	0.13
I	1.00	0.13
J	0.76	0.13
K	9.70	max
L	8.70	0.20
M	4.00	max
*N	0.80	0.13

* Indicates Reference Only



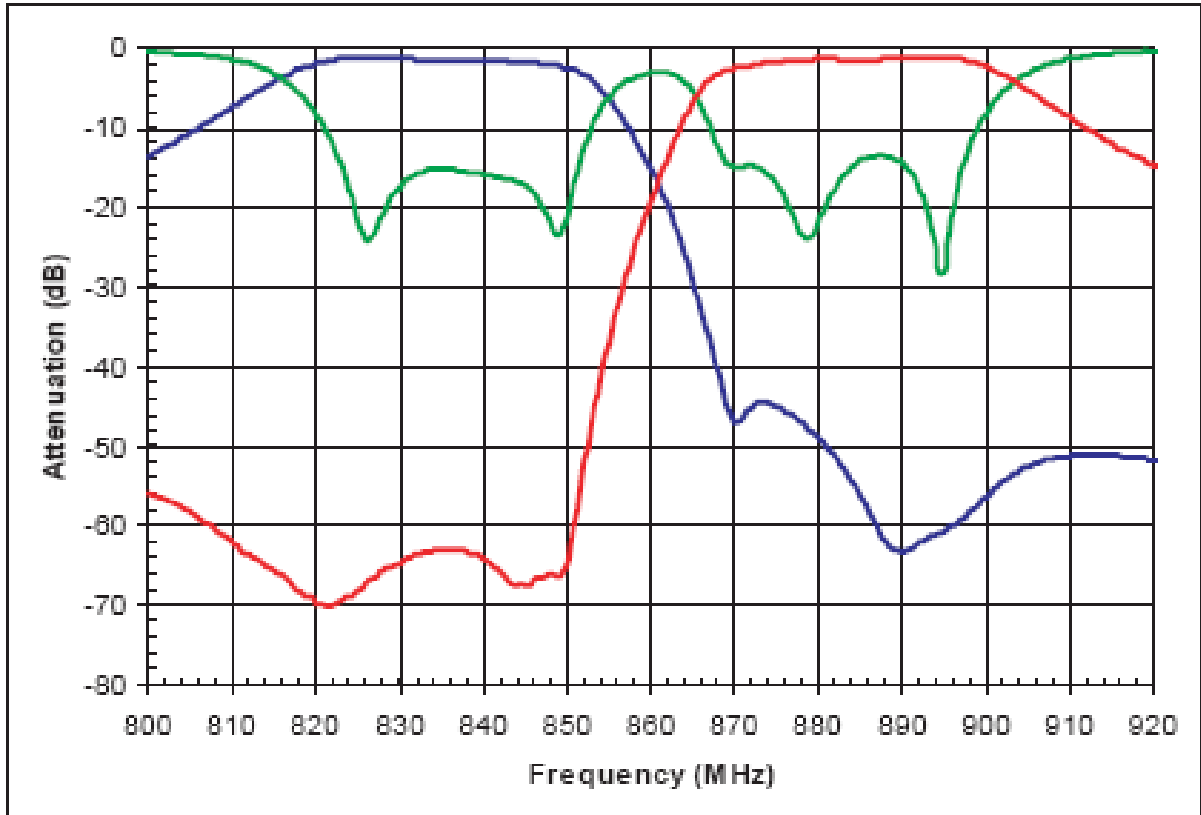
ANATECH ELECTRONICS INC
RF & Microwave Filters & Products

824-849 / 869-894 MHz Ceramic Duplexer

Part Number: AM836-881D177



Response Plot:





824-849 / 869-894 MHz Ceramic Duplexer

Part Number: AM836-881D177



ANATECH ELECTRONICS INC
RF & Microwave Filters & Products

PCB Layout:

