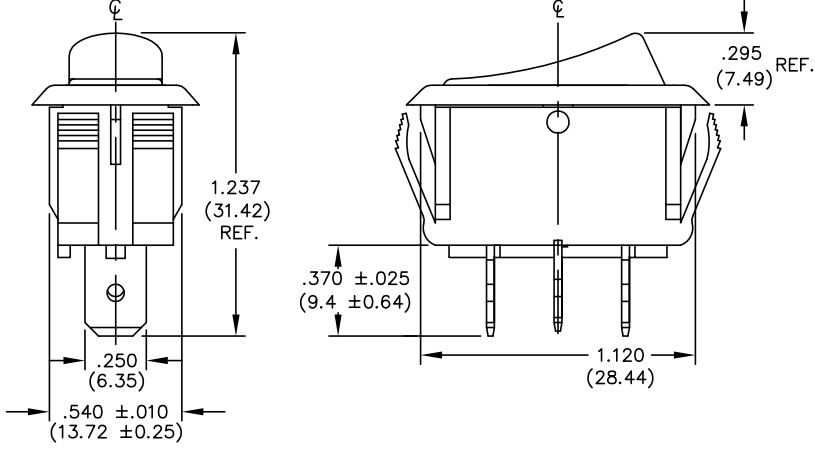
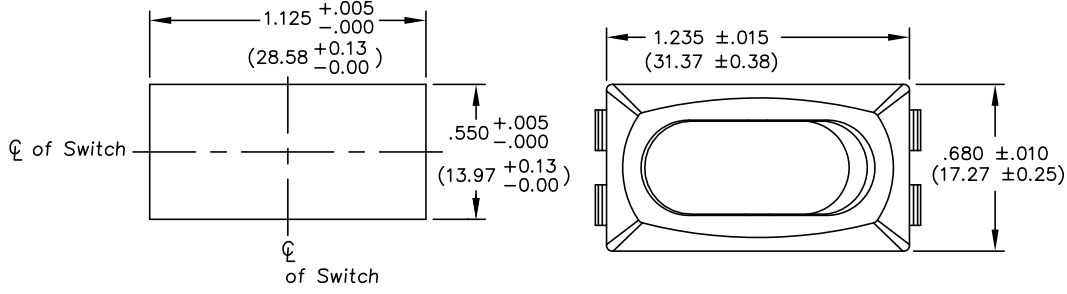


THIS INFORMATION IS CONFIDENTIAL AND PROPRIETARY TO CW INDUSTRIES INCORPORATED AND ITS AFFILIATES. IT MAY NOT BE DISCLOSED TO ANYONE, OTHER THAN CW INDUSTRIES PERSONNEL, WITHOUT WRITTEN AUTHORIZATION FROM CW INDUSTRIES INCORPORATED, SOUTHAMPTON, PENNSYLVANIA USA.

DIMENSIONS IN INCHES (MILLIMETERS)
DO NOT SCALE DRAWING

Dwg. No.
GRS-2012-25XX

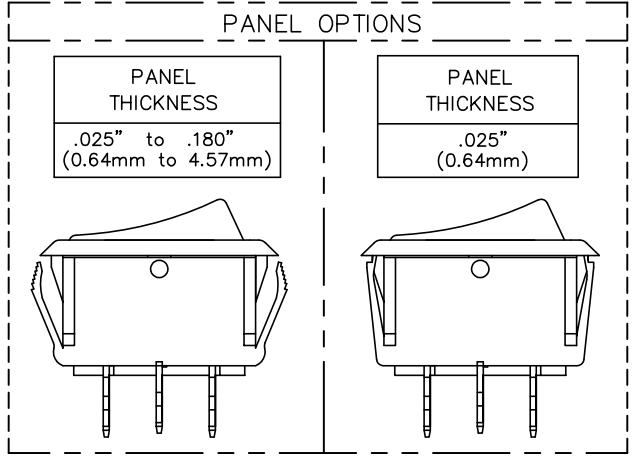
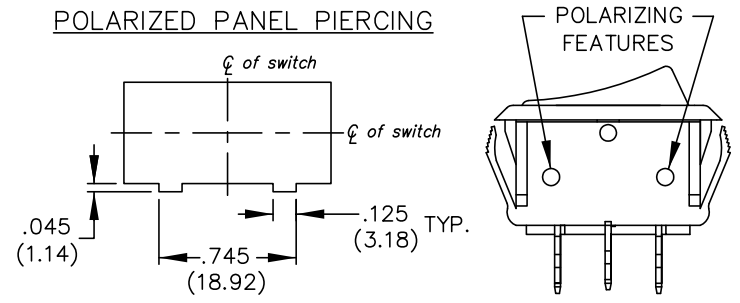
PANEL PIERCING



(GLOSSY FINISH)

TERMINAL OPTIONS:
 .250" Wide Terminal is standard.
 (As Shown in Drawing)
 .187" Wide Terminal is optional.

POLARIZED OPTION



B-FORMAT 2002	REVISIONS	1	2	3	4	5	6	7

PDF FILE MADE	CW INDUSTRIES Southampton, Pa. 18966	Title: ROCKER SWITCH S.P.D.T. ASSEMBLY STYLE LINE 1.125" x .550" PANEL
	TOLERANCES UNLESS OTHERWISE SPECIFIED	
	2 Place Decimal $\pm .010$ 3 Place Decimal $\pm .005$ Angles $\pm 1^\circ$	METRIC 1 Place Dec. $\pm .25$ mm 2 Place Dec. $\pm .13$ mm
	Made for: CW IND.	Division: SWITCH
Drawn by: DGW	7-09-2010	Dwg. No. GRS-2012-25XX
Checked by:		
Approval:		