



**IS25WP016**

**IS25WP080**

**IS25WP040**

**IS25WP020**

**16/8/4/2MBIT**

**1.8V SERIAL FLASH MEMORY WITH 133MHZ MULTI I/O SPI &  
QUAD I/O QPI DTR INTERFACE**

**PRELIMINARY DATA SHEET**

# 16/8/4/2MBIT

## 1.8V SERIAL FLASH MEMORY WITH 133MHZ MULTI I/O SPI & QUAD I/O QPI DTR INTERFACE

### PRELIMINARY INFORMATION

## FEATURES

- **Industry Standard Serial Interface**

- IS25WP016: 16Mbit/2Mbyte
- IS25WP080: 8Mbit/1Mbyte
- IS25WP040: 4Mbit/512Kbyte
- IS25WP020: 2Mbit/256Kbyte
- 256 bytes per Programmable Page
- Supports standard SPI, Fast, Dual, Dual I/O, Quad, Quad I/O, SPI DTR, Dual I/O DTR, Quad I/O DTR, and QPI
- Supports Serial Flash Discoverable Parameters (SFDP)

- **High Performance Serial Flash (SPI)**

- 50MHz Normal and 133Mhz Fast Read
- 532 MHz equivalent QPI
- DTR (Dual Transfer Rate) up to 66MHz
- Selectable Dummy Cycles
- Configurable Drive Strength
- Supports SPI Modes 0 and 3
- More than 100,000 Erase/Program cycles
- More than 20-year Data Retention

- **Flexible & Efficient Memory Architecture**

- Chip Erase with Uniform: Sector/Block Erase (4/32/64 Kbyte)
- Program 1 to 256 Bytes per Page
- Program/Erase Suspend & Resume

- **Efficient Read and Program modes**

- Low Instruction Overhead Operations
- Continuous Read 8/16/32/64-Byte Burst Wrap
- Selectable Burst Length
- QPI for Reduced Instruction Overhead
- AutoBoot Operation

- **Low Power with Wide Temp. Ranges**

- Single 1.65V to 1.95V Voltage Supply
- 10 mA Active Read Current (typ.)
- 8  $\mu$ A Standby Current (typ.)
- 1  $\mu$ A Deep Power Down(typ.)
- Temp Grades:
  - Extended: -40°C to +105°C
  - Extended+: -40°C to +125°C
  - Auto Grade: up to +125°C

Note: Extended+ should not be used for Automotive.

- **Advanced Security Protection**

- Software and Hardware Write Protection
- Power Supply Lock Protection
- 4x256-Byte Dedicated Security Area with OTP User-lockable Bits
- 128 bit Unique ID for Each Device (Call Factory)

- **Industry Standard Pin-out & Packages<sup>(1),(2)</sup>**

- M = 16-pin SOIC 300mil<sup>(3)</sup>
- B = 8-pin SOIC 208mil
- N = 8-pin SOIC 150mil
- D = 8-pin TSSOP
- V = 8-pin VVSOP 150mil
- F = 8-pin VSOP 208mil
- K = 8-contact WSON 6x5mm
- T = 8-contact USON 4x3mm
- U = 8-contact USON 2x3mm
- G = 24-ball TFBGA 6x8mm<sup>(3)</sup>
- KGD (Call Factory)

Notes:

1. IS25WP016 (not available in D) and IS25WP080/040 (not available in M, D, G) and IS25WP020 (not available in M, F, T, G)
2. Call Factory for WLCSP or other package options available
3. For the dedicated RESET# pin option, see the Ordering Information

## GENERAL DESCRIPTION

The IS25WP016/080/040/020 Serial Flash memory offers a versatile storage solution with high flexibility and performance in a simplified pin count package. ISSI's "Industry Standard Serial Interface" Flash is for systems that require limited space, a low pin count, and low power consumption. The device is accessed through a 4-wire SPI Interface consisting of a Serial Data Input (SI), Serial Data Output (SO), Serial Clock (SCK), and Chip Enable (CE#) pins, which can also be configured to serve as multi-I/O (see pin descriptions).

The device supports Dual and Quad I/O as well as standard, Dual Output, and Quad Output SPI. Clock frequencies of up to 133MHz allow for equivalent clock rates of up to 532MHz (133MHz x 4) which equates to 66Mbytes/s of data throughput. The IS25xP series of Flash adds support for DTR (Double Transfer Rate) commands that transfer addresses and read data on both edges of the clock. These transfer rates can outperform 16-bit Parallel Flash memories allowing for efficient memory access to support XIP (execute in place) operation.

The memory array is organized into programmable pages of 256-bytes. This family supports page program mode where 1 to 256 bytes of data are programmed in a single command. QPI (Quad Peripheral Interface) supports 2-cycle instruction further reducing instruction times. Pages can be erased in groups of 4Kbyte sectors, 32Kbyte blocks, 64Kbyte blocks, and/or the entire chip. The uniform sector and block architecture allows for a high degree of flexibility so that the device can be utilized for a broad variety of applications requiring solid data retention.

## GLOSSARY

### ***Standard SPI***

In this operation, a 4-wire SPI Interface is utilized, consisting of Serial Data Input (SI), Serial Data Output (SO), Serial Clock (SCK), and Chip Enable (CE#) pins. Instructions are sent via the SI pin to encode instructions, addresses, or input data to the device on the rising edge of SCK. The SO pin is used to read data or to check the status of the device. This device supports SPI bus operation modes (0,0) and (1,1).

### ***Multi I/O SPI***

Multi-I/O operation utilizes an enhanced SPI protocol to allow the device to function with Dual Output, Dual Input and Output, Quad Output, and Quad Input and Output capability. Executing these instructions through SPI mode will achieve double or quadruple the transfer bandwidth for READ and PROGRAM operations.

### ***QPI***

The device supports Quad Peripheral Interface (QPI) operations only when the device is switched from Standard/Dual/Quad SPI mode to QPI mode using the enter QPI (35h) instruction. The typical SPI protocol requires that the byte-long instruction code being shifted into the device only via SI pin in eight serial clocks. The QPI mode utilizes all four I/O pins to input the instruction code thus requiring only two serial clocks. This can significantly reduce the SPI instruction overhead and improve system performance. Only QPI mode or SPI/Dual/Quad mode can be active at any given time. Enter QPI (35h) and Exit QPI (F5h) instructions are used to switch between these two modes, regardless of the non-volatile Quad Enable (QE) bit status in the Status Register. Power Reset or Hardware/Software Reset will return the device into the standard SPI mode. SI and SO pins become bidirectional I/O0 and I/O1, and WP# and HOLD# pins become I/O2 and I/O3 respectively during QPI mode.

### ***DTR***

In addition to SPI and QPI features, the device also supports Fast READ DTR operation. DTR operation allows high data throughput while running at lower clock frequencies. Fast READ DTR operation uses both rising and falling edges of the clock for address inputs, and data outputs, resulting in reducing input and output cycles by half.

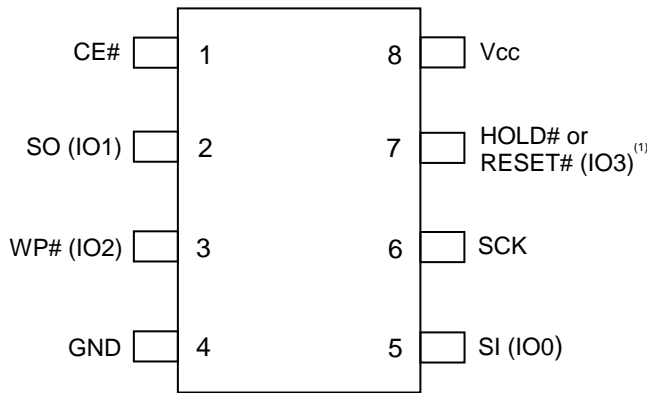
**TABLE OF CONTENTS**

|                                                                                       |    |
|---------------------------------------------------------------------------------------|----|
| FEATURES .....                                                                        | 2  |
| GENERAL DESCRIPTION .....                                                             | 3  |
| TABLE OF CONTENTS .....                                                               | 4  |
| 1. PIN CONFIGURATION.....                                                             | 7  |
| 2. PIN DESCRIPTIONS.....                                                              | 8  |
| 3. BLOCK DIAGRAM.....                                                                 | 10 |
| 4. SPI MODES DESCRIPTION .....                                                        | 11 |
| 5. SYSTEM CONFIGURATION.....                                                          | 13 |
| 5.1 BLOCK/SECTOR ADDRESSES .....                                                      | 13 |
| 6. REGISTERS .....                                                                    | 14 |
| 6.1 STATUS REGISTER .....                                                             | 14 |
| 6.2 FUNCTION REGISTER.....                                                            | 17 |
| 6.3 READ REGISTER AND EXTENDED REGISTER.....                                          | 18 |
| 6.4 AUTOBOOT REGISTER .....                                                           | 21 |
| 7. PROTECTION MODE.....                                                               | 22 |
| 7.1 HARDWARE WRITE PROTECTION.....                                                    | 22 |
| 7.2 SOFTWARE WRITE PROTECTION .....                                                   | 22 |
| 8. DEVICE OPERATION .....                                                             | 23 |
| 8.1 NORMAL READ OPERATION (NORD, 03h) .....                                           | 26 |
| 8.2 FAST READ OPERATION (FRD, 0Bh) .....                                              | 28 |
| 8.3 HOLD OPERATION.....                                                               | 30 |
| 8.4 FAST READ DUAL I/O OPERATION (FRDIO, BBh) .....                                   | 30 |
| 8.5 FAST READ DUAL OUTPUT OPERATION (FRDO, 3Bh).....                                  | 33 |
| 8.6 FAST READ QUAD OUTPUT OPERATION (FRQO, 6Bh).....                                  | 34 |
| 8.7 FAST READ QUAD I/O OPERATION (FRQIO, EBh) .....                                   | 36 |
| 8.8 PAGE PROGRAM OPERATION (PP, 02h).....                                             | 40 |
| 8.9 QUAD INPUT PAGE PROGRAM OPERATION (PPQ, 32h/38h) .....                            | 42 |
| 8.10 ERASE OPERATION .....                                                            | 43 |
| 8.11 SECTOR ERASE OPERATION (SER, D7h/20h).....                                       | 44 |
| 8.12 BLOCK ERASE OPERATION (BER32K:52h, BER64K:D8h) .....                             | 45 |
| 8.13 CHIP ERASE OPERATION (CER, C7h/60h) .....                                        | 47 |
| 8.14 WRITE ENABLE OPERATION (WREN, 06h) .....                                         | 48 |
| 8.15 WRITE DISABLE OPERATION (WRDI, 04h).....                                         | 49 |
| 8.16 READ STATUS REGISTER OPERATION (RDSR, 05h) .....                                 | 50 |
| 8.17 WRITE STATUS REGISTER OPERATION (WRSR, 01h).....                                 | 51 |
| 8.18 READ FUNCTION REGISTER OPERATION (RDFR, 48h) .....                               | 52 |
| 8.19 WRITE FUNCTION REGISTER OPERATION (WRFR, 42h).....                               | 53 |
| 8.20 ENTER QUAD PERIPHERAL INTERFACE (QPI) MODE OPERATION (QPIEN, 35h; QPIDI, F5h) 54 |    |

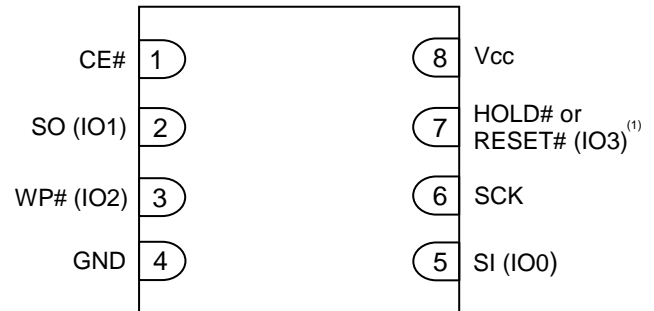
|                                                                                                  |     |
|--------------------------------------------------------------------------------------------------|-----|
| 8.21 PROGRAM/ERASE SUSPEND & RESUME .....                                                        | 55  |
| 8.22 ENTER DEEP POWER DOWN (DP, B9h) .....                                                       | 57  |
| 8.23 RELEASE DEEP POWER DOWN (RDPD, ABh) .....                                                   | 58  |
| 8.24 SET READ PARAMETERS OPERATION (SRPNV: 65h, SRPV: C0h/63h) .....                             | 59  |
| 8.25 SET EXTENDED READ PARAMETERS OPERATION (SERPNV: 85h, SERPV: 83h) .....                      | 61  |
| 8.26 READ READ PARAMETERS OPERATION (RDRPNV, 61h) .....                                          | 62  |
| 8.27 READ EXTENDED READ PARAMETERS OPERATION (RDRPNV, 81h) .....                                 | 63  |
| 8.28 READ PRODUCT IDENTIFICATION (RDID, ABh) .....                                               | 64  |
| 8.29 READ PRODUCT IDENTIFICATION BY JEDEC ID OPERATION (RDJDID, 9Fh; RDJDIDQ, AFh) .....         | 66  |
| 8.30 READ DEVICE MANUFACTURER AND DEVICE ID OPERATION (RDMDID, 90h) .....                        | 67  |
| 8.31 READ UNIQUE ID NUMBER (RUID, 4Bh) .....                                                     | 68  |
| 8.32 READ SFDP OPERATION (RDSFDP, 5Ah) .....                                                     | 69  |
| 8.33 NO OPERATION (NOP, 00h) .....                                                               | 69  |
| 8.34 SOFTWARE RESET (RESET-ENABLE (RSTEN, 66h) AND RESET (RST, 99h)) AND HARDWARE<br>RESET ..... | 70  |
| 8.35 SECURITY INFORMATION ROW .....                                                              | 71  |
| 8.36 INFORMATION ROW ERASE OPERATION (IRER, 64h) .....                                           | 72  |
| 8.37 INFORMATION ROW PROGRAM OPERATION (IRP, 62h) .....                                          | 73  |
| 8.38 INFORMATION ROW READ OPERATION (IRRD, 68h) .....                                            | 74  |
| 8.39 FAST READ DTR MODE OPERATION (FRDTR, 0Dh) .....                                             | 75  |
| 8.40 FAST READ DUAL IO DTR MODE OPERATION (FRDDTR, BDh) .....                                    | 77  |
| 8.41 FAST READ QUAD IO DTR MODE OPERATION (FRQDTR, EDh) .....                                    | 80  |
| 8.42 SECTOR LOCK/UNLOCK FUNCTIONS .....                                                          | 84  |
| 8.43 AUTOBOOT .....                                                                              | 86  |
| 9. ELECTRICAL CHARACTERISTICS .....                                                              | 90  |
| 9.1 ABSOLUTE MAXIMUM RATINGS <sup>(1)</sup> .....                                                | 90  |
| 9.2 OPERATING RANGE .....                                                                        | 90  |
| 9.3 DC CHARACTERISTICS .....                                                                     | 91  |
| 9.4 AC MEASUREMENT CONDITIONS .....                                                              | 92  |
| 9.5 PIN CAPACITANCE (TA = 25°C, VCC=1.8V, 1MHz) .....                                            | 92  |
| 9.6 AC CHARACTERISTICS .....                                                                     | 93  |
| 9.7 SERIAL INPUT/OUTPUT TIMING .....                                                             | 95  |
| 9.8 POWER-UP AND POWER-DOWN .....                                                                | 97  |
| 9.9 PROGRAM/ERASE PERFORMANCE .....                                                              | 98  |
| 9.10 RELIABILITY CHARACTERISTICS .....                                                           | 98  |
| 10. PACKAGE TYPE INFORMATION .....                                                               | 99  |
| 10.1 8-Pin JEDEC 208mil Broad Small Outline Integrated Circuit (SOIC) Package (B) .....          | 99  |
| 10.2 8-Pin JEDEC 150mil Broad Small Outline Integrated Circuit (SOIC) Package (N) .....          | 100 |
| 10.3 8-Pin TSSOP Package (D) .....                                                               | 101 |
| 10.4 8-Pin 150mil VVSOP Package (V) .....                                                        | 102 |



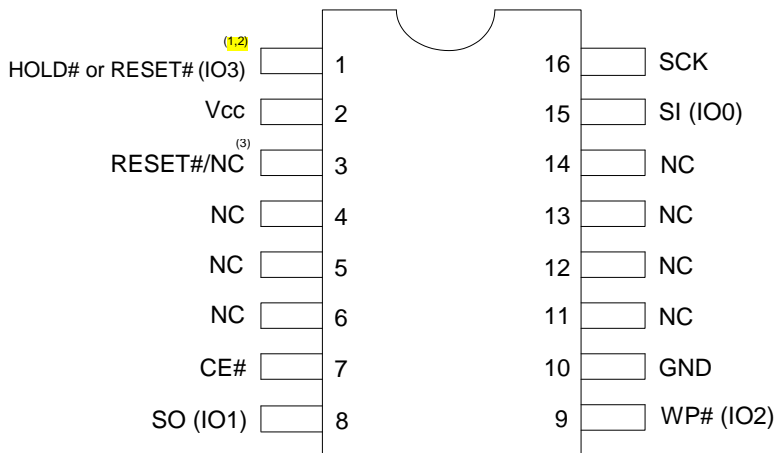
10.5 8-Contact Ultra-Thin Small Outline No-Lead (WSON) Package 6x5mm (K)..... 103  
10.6 8-Contact Ultra-Thin Small Outline No-Lead (USON) Package 4x3mm (T)..... 104  
10.7 8-Contact Ultra-Thin Small Outline No-Lead (USON) Package 2x3mm (U) ..... 105  
10.8 8-Pin 208mil VSOP Package (F) ..... 106  
10.9 16-lead Plastic Small Outline package (300 mils body width) (M) ..... 107  
10.10 24-Ball Thin Profile Fine Pitch BGA 6x8mm (G)..... 108  
11. ORDERING INFORMATION - Valid Part Numbers..... 109

**1. PIN CONFIGURATION**


8-pin SOIC 208mil  
8-pin SOIC 150mil  
8-pin VSOP 208mil  
8-pin TSSOP  
8-pin VVSOP 150mil

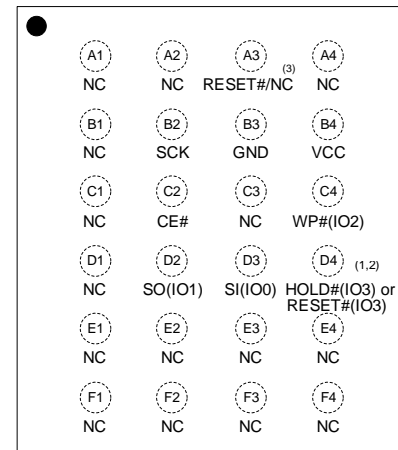


8-contact WSON 6x5mm  
8-contact USON 4x3mm  
8-contact USON 2x3mm



16-pin SOIC 300mil

Top View, Balls Facing Down



24-ball TFBGA 6x8mm

**Notes:**

1. P7 bit setting in Read Register will select HOLD# (P7=0) function or RESET# (P7=1) function when QE=0 for the standard devices, which do not have dedicated RESET# pin.
2. For the parts with dedicated RESET# pin on pin3 (16-pin SOIC) or ball A3 (24-ball TFBGA), only HOLD# pin is selected for pin1 (16-pin SOIC) or ball D4 (24-ball TFBGA) regardless of the P7 bit setting.
3. For the dedicated RESET# devices, Function Register Bit0 (RESET# Enable/Disable) was set to "0" from the factory. The RESET# pin is independent of the P7 bit of Read Register. The RESET# pin has an internal pull-up resistor and may be left floating if not used. See the Ordering Information for the additional RESET# pin option.

| 16-pin SOIC / 24-ball TFBGA | Standard device <sup>(1)</sup>              | Device with dedicated RESET# pin <sup>(2,3)</sup> |
|-----------------------------|---------------------------------------------|---------------------------------------------------|
| Pin1 / Ball D4              | Hold#(IO3) or RESET#(IO3) by P7 bit setting | Hold#(IO3) only regardless of P7 bit setting      |
| Pin3 / Ball A3              | NC                                          | RESET#                                            |
| Part Number Option          | J                                           | R or P                                            |

## 2. PIN DESCRIPTIONS

For all the standard devices without dedicated RESET# pin

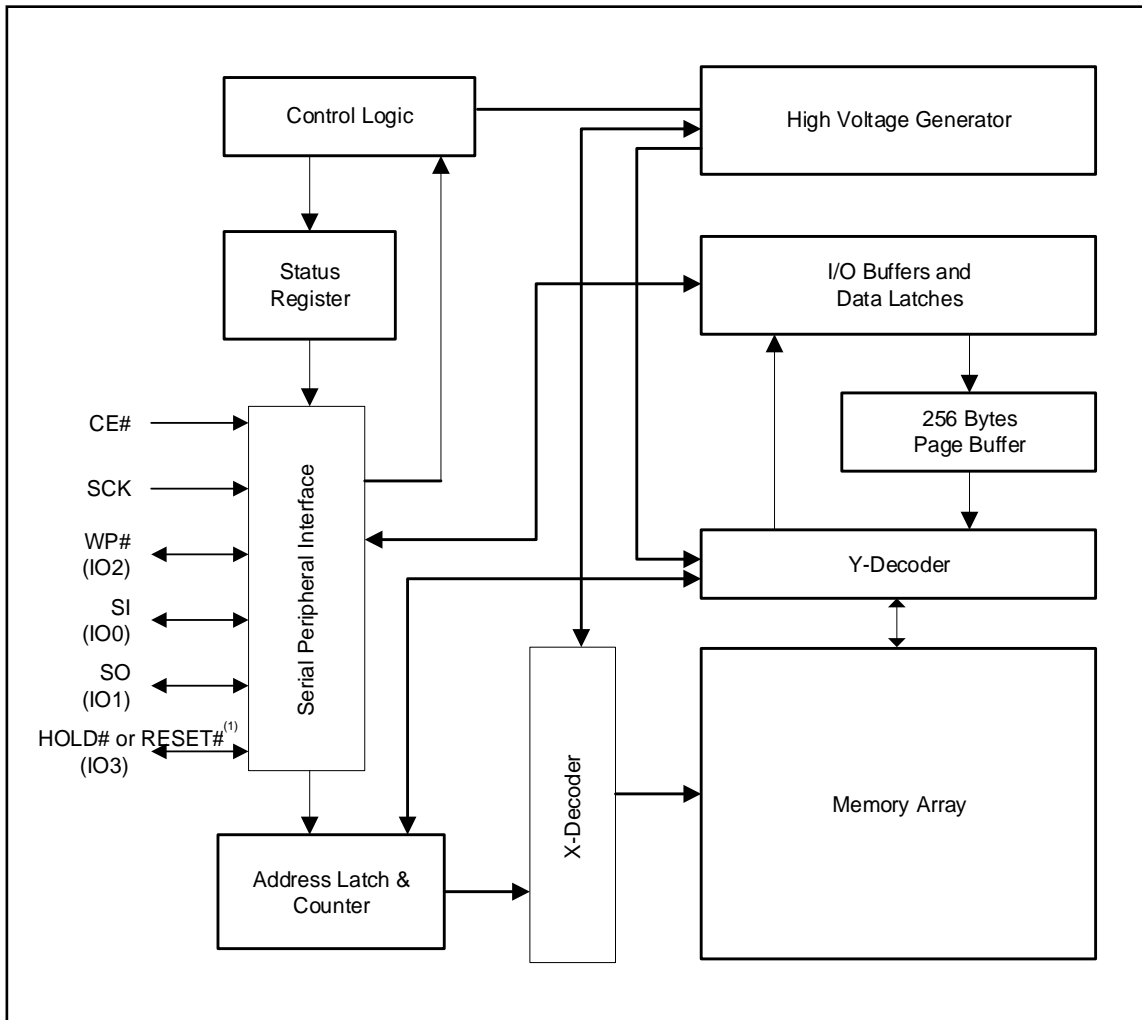
| SYMBOL                   | TYPE         | DESCRIPTION                                                                                                                                                                                                                                                                                                                                                                                                                                                                                                                                                                                                                                                                                                                                                                                                                                                                                                                                                                                                                                            |
|--------------------------|--------------|--------------------------------------------------------------------------------------------------------------------------------------------------------------------------------------------------------------------------------------------------------------------------------------------------------------------------------------------------------------------------------------------------------------------------------------------------------------------------------------------------------------------------------------------------------------------------------------------------------------------------------------------------------------------------------------------------------------------------------------------------------------------------------------------------------------------------------------------------------------------------------------------------------------------------------------------------------------------------------------------------------------------------------------------------------|
| CE#                      | INPUT        | <p><b>Chip Enable:</b> The Chip Enable (CE#) pin enables and disables the devices operation. When CE# is high the device is deselected and output pins are in a high impedance state. When deselected the devices non-critical internal circuitry power down to allow minimal levels of power consumption while in a standby state.</p> <p>When CE# is pulled low the device will be selected and brought out of standby mode. The device is considered active and instructions can be written to, data read, and written to the device. After power-up, CE# must transition from high to low before a new instruction will be accepted.</p> <p>Keeping CE# in a high state deselects the device and switches it into its low power state. Data will not be accepted when CE# is high.</p>                                                                                                                                                                                                                                                             |
| SI (IO0),<br>SO (IO1)    | INPUT/OUTPUT | <p><b>Serial Data Input, Serial Output, and IOs (SI, SO, IO0, and IO1):</b><br/>This device supports standard SPI, Dual SPI, and Quad SPI operation. Standard SPI instructions use the unidirectional SI (Serial Input) pin to write instructions, addresses, or data to the device on the rising edge of the Serial Clock (SCK). Standard SPI also uses the unidirectional SO (Serial Output) to read data or status from the device on the falling edge of the serial clock (SCK).</p> <p>In Dual and Quad SPI mode, SI and SO become bidirectional IO pins to write instructions, addresses or data to the device on the rising edge of the Serial Clock (SCK) and read data or status from the device on the falling edge of SCK. Quad SPI instructions use the WP# and HOLD# pins as IO2 and IO3 respectively.</p>                                                                                                                                                                                                                                |
| WP# (IO2)                | INPUT/OUTPUT | <p><b>Write Protect/Serial Data IO (IO2):</b> The WP# pin protects the Status Register from being written in conjunction with the SRWD bit. When the SRWD is set to "1" and the WP# is pulled low, the Status Register bits (SRWD, QE, BP3, BP2, BP1, BP0) are write-protected and vice-versa for WP# high. When the SRWD is set to "0", the Status Register is not write-protected regardless of WP# state.</p> <p>When the QE bit is set to "1", the WP# pin (Write Protect) function is not available since this pin is used for IO2.</p>                                                                                                                                                                                                                                                                                                                                                                                                                                                                                                           |
| HOLD# or<br>RESET# (IO3) | INPUT/OUTPUT | <p><b>HOLD# or RESET#/Serial Data IO (IO3):</b> When the QE bit of Status Register is set to "1", HOLD# pin or RESET# is not available since it becomes IO3.</p> <p>When QE=0, the pin acts as HOLD# or RESET# and either one can be selected by the P7 bit setting in Read Register. HOLD# will be selected if P7=0 (Default) and RESET# will be selected if P7=1.</p> <p>The HOLD# pin allows the device to be paused while it is selected. It pauses serial communication by the master device without resetting the serial sequence. The HOLD# pin is active low. When HOLD# is in a low state and CE# is low, the SO pin will be at high impedance. Device operation can resume when HOLD# pin is brought to a high state.</p> <p>RESET# pin is a hardware RESET signal. When RESET# is driven HIGH, the memory is in the normal operating mode. When RESET# is driven LOW, the memory enters reset mode and output is High-Z. If RESET# is driven LOW while an internal WRITE, PROGRAM, or ERASE operation is in progress, data may be lost.</p> |
| SCK                      | INPUT        | <b>Serial Data Clock:</b> Synchronized Clock for input and output timing operations.                                                                                                                                                                                                                                                                                                                                                                                                                                                                                                                                                                                                                                                                                                                                                                                                                                                                                                                                                                   |
| Vcc                      | POWER        | <b>Power:</b> Device Core Power Supply                                                                                                                                                                                                                                                                                                                                                                                                                                                                                                                                                                                                                                                                                                                                                                                                                                                                                                                                                                                                                 |
| GND                      | GROUND       | <b>Ground:</b> Connect to ground when referenced to Vcc                                                                                                                                                                                                                                                                                                                                                                                                                                                                                                                                                                                                                                                                                                                                                                                                                                                                                                                                                                                                |
| NC                       | Unused       | <b>NC:</b> Pins labeled "NC" stand for "No Connect" and should be left unconnected.                                                                                                                                                                                                                                                                                                                                                                                                                                                                                                                                                                                                                                                                                                                                                                                                                                                                                                                                                                    |



For the device with dedicated RESET# pin (16-pin SOIC or 24-ball TFBGA)

| SYMBOL                | TYPE         | DESCRIPTION                                                                                                                                                                                                                                                                                                                                                                                                                                                                                                                                                                                          |
|-----------------------|--------------|------------------------------------------------------------------------------------------------------------------------------------------------------------------------------------------------------------------------------------------------------------------------------------------------------------------------------------------------------------------------------------------------------------------------------------------------------------------------------------------------------------------------------------------------------------------------------------------------------|
| CE#                   | INPUT        | Same as the description in previous page                                                                                                                                                                                                                                                                                                                                                                                                                                                                                                                                                             |
| SI (IO0),<br>SO (IO1) | INPUT/OUTPUT | Same as the description in previous page                                                                                                                                                                                                                                                                                                                                                                                                                                                                                                                                                             |
| WP# (IO2)             | INPUT/OUTPUT | Same as the description in previous page                                                                                                                                                                                                                                                                                                                                                                                                                                                                                                                                                             |
| HOLD# (IO3)           | INPUT/OUTPUT | <p><b>HOLD#/Serial Data IO (IO3):</b> When the QE bit of Status Register is set to “1”, HOLD# pin is not available since it becomes IO3.</p> <p>When QE bit is “0”, the pin acts as HOLD# regardless of the P7 bit of Read Register.</p> <p>The HOLD# pin allows the device to be paused while it is selected. It pauses serial communication by the master device without resetting the serial sequence. The HOLD# pin is active low. When HOLD# is in a low state and CE# is low, the SO pin will be at high impedance. Device operation can resume when HOLD# pin is brought to a high state.</p> |
| RESET#                | INPUT/OUTPUT | <p><b>RESET#:</b> Dedicated RESET# pin with bit 0 of Function Register was set to “0” from the factory. The RESET# pin has an internal pull-up resistor and may be left floating if not used</p> <p>The RESET# pin is a hardware RESET signal. When RESET# is driven HIGH, the memory is in the normal operating mode. When RESET# is driven LOW, the memory enters reset mode and output is High-Z. If RESET# is driven LOW while an internal WRITE, PROGRAM, or ERASE operation is in progress, data may be lost.</p>                                                                              |
| SCK                   | INPUT        | Same as the description in previous page                                                                                                                                                                                                                                                                                                                                                                                                                                                                                                                                                             |
| Vcc                   | POWER        | Same as the description in previous page                                                                                                                                                                                                                                                                                                                                                                                                                                                                                                                                                             |
| GND                   | GROUND       | Same as the description in previous page                                                                                                                                                                                                                                                                                                                                                                                                                                                                                                                                                             |
| NC                    | Unused       | Same as the description in previous page                                                                                                                                                                                                                                                                                                                                                                                                                                                                                                                                                             |

### 3. BLOCK DIAGRAM



**Note1:** In case of the device with dedicated RESET# pin, IO3 pin can be switched to HOLD# only when QE bit=0  
 See the Ordering Information for the dedicated RESET# pin option.

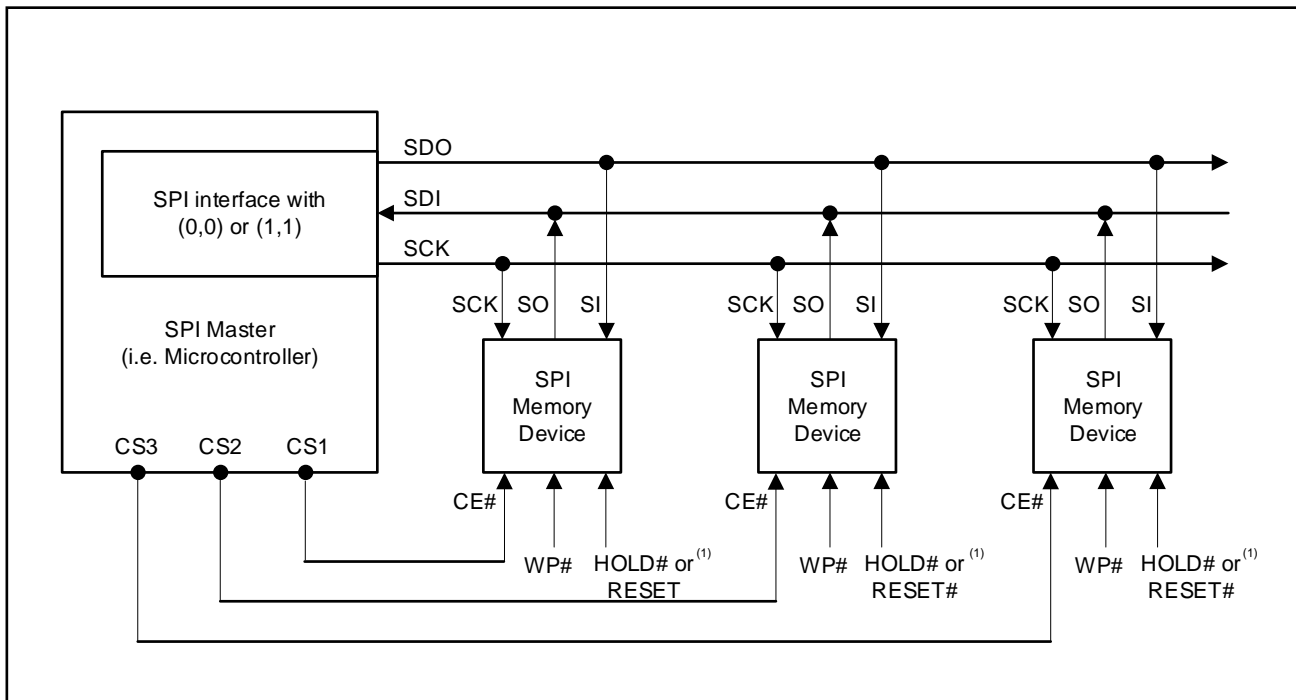
#### 4. SPI MODES DESCRIPTION

Multiple IS25WP016/080/040/020 devices can be connected on the SPI serial bus and controlled by a SPI Master, i.e. microcontroller, as shown in Figure 4.1. The devices support either of two SPI modes:

- Mode 0 (0, 0)
- Mode 3 (1, 1)

The difference between these two modes is the clock polarity. When the SPI master is in stand-by mode, the serial clock remains at “0” (SCK = 0) for Mode 0 and the clock remains at “1” (SCK = 1) for Mode 3. Please refer to Figure 4.2 and Figure 4.3 for SPI and QPI mode. In both modes, the input data is latched on the rising edge of Serial Clock (SCK), and the output data is available from the falling edge of SCK.

**Figure 4.1 Connection Diagram among SPI Master and SPI Slaves (Memory Devices)**



**Notes:**

1. In case of the device with dedicated RESET# pin, IO3 pin can be switched to HOLD# only when QE bit=0 See the Ordering Information for the dedicated RESET# pin option.
2. SI and SO pins become bidirectional IO0 and IO1, and WP# and HOLD# pins become IO2 and IO3 respectively during QPI mode.

Figure 4.2 SPI Mode Support

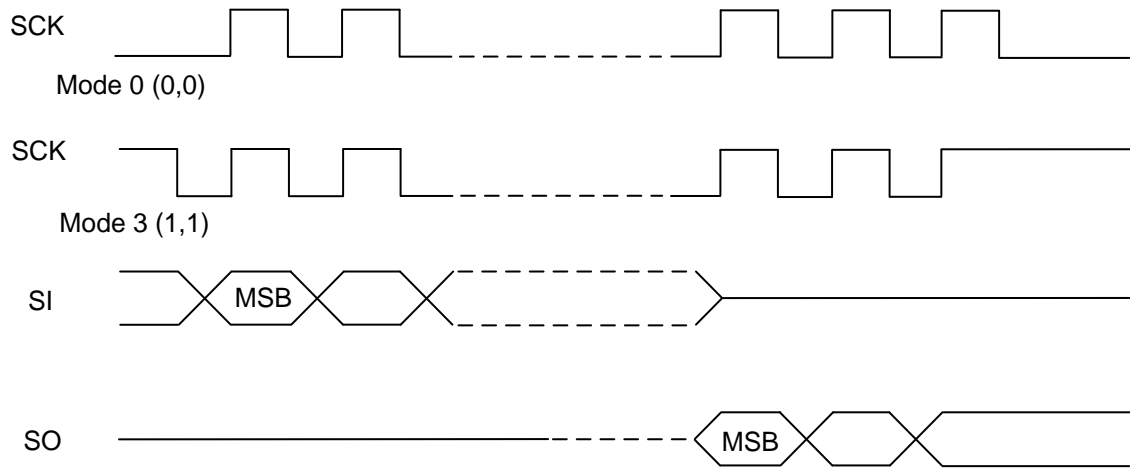
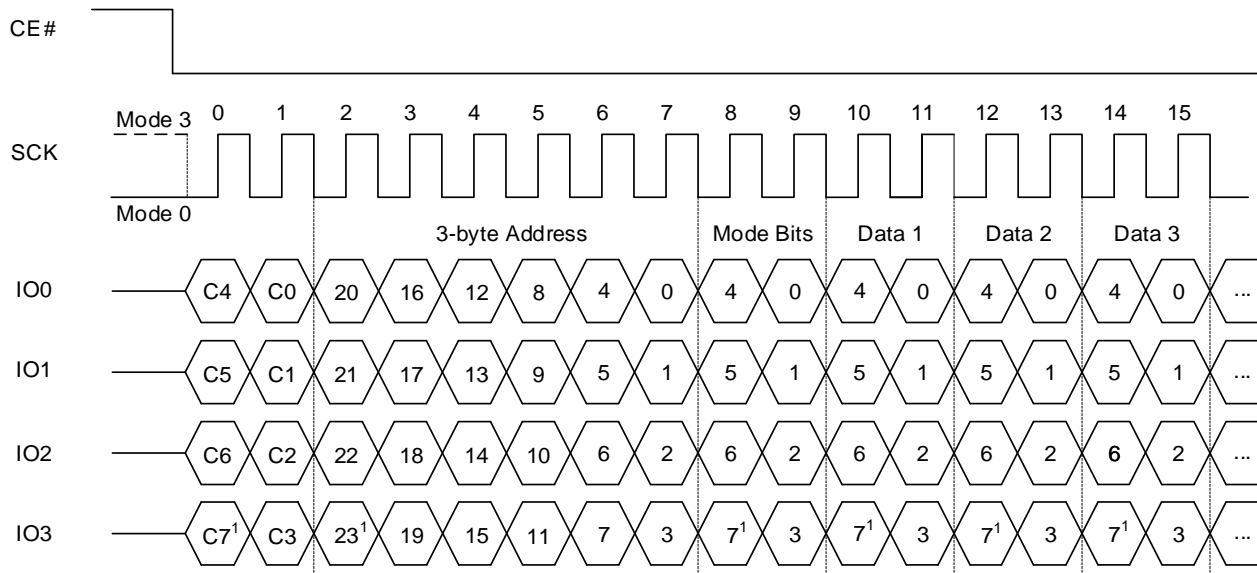


Figure 4.3 QPI Mode Support



Note1: MSB (Most Significant Bit)

## 5. SYSTEM CONFIGURATION

The memory array is divided into uniform 4 Kbyte sectors or uniform 32/64 Kbyte blocks (a block consists of eight/sixteen adjacent sectors respectively).

Table 5.1 illustrates the memory map of the device. The Status Register controls how the memory is protected.

### 5.1 BLOCK/SECTOR ADDRESSES

**Table 5.1 Block/Sector Addresses of IS25WP016/080/040/020**

| Memory Density |          |          | Block No.<br>(64Kbyte) | Block No.<br>(32Kbyte) | Sector No.        | Sector Size<br>(Kbytes) | Address Range     |
|----------------|----------|----------|------------------------|------------------------|-------------------|-------------------------|-------------------|
| 2Mb            | 4Mb      | 8Mb      | Block 0                | Block 0                | Sector 0          | 4                       | 000000h – 000FFFh |
|                |          |          |                        | :                      | :                 | :                       | :                 |
|                |          |          | Block 1                | Block 1                | Sector 15         | 4                       | 00F000h - 00FFFFh |
|                |          |          |                        | Block 2                | Sector 16         | 4                       | 010000h – 010FFFh |
|                |          |          | Block 3                | Block 3                | Sector 31         | 4                       | 01F000h - 01FFFFh |
|                |          |          |                        | :                      | :                 | :                       | :                 |
|                |          |          | Block 7                | Block 6                | Sector 48         | 4                       | 030000h – 030FFFh |
|                |          |          |                        | Block 7                | Sector 63         | 4                       | 03F000h – 03FFFFh |
|                | Block 15 | Block 14 | Sector 112             | 4                      | 070000h – 070FFFh |                         |                   |
|                |          | Block 15 | Sector 127             | 4                      | 07F000h – 07FFFFh |                         |                   |
|                | Block 30 | Block 30 | Sector 240             | 4                      | 0F0000h – 0F0FFFh |                         |                   |
|                |          | Block 31 | Sector 255             | 4                      | 0FF000h – 0FFFFFh |                         |                   |
|                | Block 30 | Block 60 | Sector 480             | 4                      | 1E0000h – 1E0FFFh |                         |                   |
|                |          | Block 61 | Sector 495             | 4                      | 1EF000h – 1EFFFFh |                         |                   |
|                | Block 31 | Block 62 | Sector 496             | 4                      | 1F0000h – 1F0FFFh |                         |                   |
|                |          | Block 63 | Sector 511             | 4                      | 1FF000h – 1FFFFFh |                         |                   |

## 6. REGISTERS

The device has four sets of Registers: Status, Function, Read, and Autboot.

### 6.1 STATUS REGISTER

Status Register Format and Status Register Bit Definitions are described in Table 6.1 & Table 6.2.

**Table 6.1 Status Register Format**

|         | Bit 7 | Bit 6 | Bit 5 | Bit 4 | Bit 3 | Bit 2 | Bit 1 | Bit 0 |
|---------|-------|-------|-------|-------|-------|-------|-------|-------|
|         | SRWD  | QE    | BP3   | BP2   | BP1   | BP0   | WEL   | WIP   |
| Default | 0     | 0     | 0     | 0     | 0     | 0     | 0     | 0     |

**Table 6.2 Status Register Bit Definition**

| Bit   | Name | Definition                                                                                                                                                                               | Read-/Write | Type         |
|-------|------|------------------------------------------------------------------------------------------------------------------------------------------------------------------------------------------|-------------|--------------|
| Bit 0 | WIP  | Write In Progress Bit:<br>"0" indicates the device is ready(default)<br>"1" indicates a write cycle is in progress and the device is busy                                                | R           | Volatile     |
| Bit 1 | WEL  | Write Enable Latch:<br>"0" indicates the device is not write enabled (default)<br>"1" indicates the device is write enabled                                                              | R/W         | Volatile     |
| Bit 2 | BP0  | Block Protection Bit: (See Table 6.4 for details)<br>"0" indicates the specific blocks are not write-protected (default)<br>"1" indicates the specific blocks are write-protected        | R/W         | Non-Volatile |
| Bit 3 | BP1  |                                                                                                                                                                                          |             |              |
| Bit 4 | BP2  |                                                                                                                                                                                          |             |              |
| Bit 5 | BP3  |                                                                                                                                                                                          |             |              |
| Bit 6 | QE   | Quad Enable bit:<br>"0" indicates the Quad output function disable (default)<br>"1" indicates the Quad output function enable                                                            | R/W         | Non-Volatile |
| Bit 7 | SRWD | Status Register Write Disable: (See Table 7.1 for details)<br>"0" indicates the Status Register is not write-protected (default)<br>"1" indicates the Status Register is write-protected | R/W         | Non-Volatile |

**Note1: WEL bit can be written by WREN and WRDI commands, but cannot by WRSR command.**

The BP0, BP1, BP2, BP3, QE, and SRWD are non-volatile memory cells that can be written by a Write Status Register (WRSR) instruction. The default value of the BP0, BP1, BP2, BP3, QE, and SRWD bits were set to "0" at factory. The Status Register can be read by the Read Status Register (RDSR).

The function of Status Register bits are described as follows:

**WIP bit:** Write In Progress (WIP) bit is read-only, and can be used to detect the progress or completion of a Program, Erase, or Write/Set Non-Volatile/OTP Register operation. WIP is set to "1" (busy state) when the device is executing the operation. During this time the device will ignore further instructions except for Read Status/Function/Extended Read Register and Software/Hardware Reset instructions. In addition to the instructions, an Erase/Program Suspend instruction also can be executed during a Program or Erase operation. When an operation has completed, WIP is cleared to "0" (ready state) whether the operation is successful or not and the device is ready for further instructions.

**WEL bit:** Write Enable Latch (WEL) indicates the status of the internal write enable latch. When WEL is "0", the write enable latch is disabled and the write operations described in Table 6.3 are inhibited. When WEL bit is "1", the write operations are allowed. WEL bit is set by a Write Enable (WREN) instruction. Each write register, program and erase instruction except for Set volatile Read Register and Set volatile Extended Read Register must be preceded by a WREN instruction. WEL bit can be reset by a Write Disable (WRDI) instruction. It will automatically reset after the completion of any write operation.

**Table 6.3 Instructions requiring WREN instruction ahead**

| Instructions must be preceded by the WREN instruction |          |                                             |
|-------------------------------------------------------|----------|---------------------------------------------|
| Name                                                  | Hex Code | Operation                                   |
| PP                                                    | 02h      | Serial Input Page Program                   |
| PPQ                                                   | 32h/38h  | Quad Input Page Program                     |
| SER                                                   | D7h/20h  | Sector Erase 4KB                            |
| BER32 (32KB)                                          | 52h      | Block Erase 32KB                            |
| BER64 (64KB)                                          | D8h      | Block Erase 64KB                            |
| CER                                                   | C7h/60h  | Chip Erase                                  |
| WRSR                                                  | 01h      | Write Status Register                       |
| WRFR                                                  | 42h      | Write Function Register                     |
| SRPNV                                                 | 65h      | Set Read Parameters (Non-Volatile)          |
| SERPNV                                                | 85h      | Set Extended Read Parameters (Non-Volatile) |
| IRER                                                  | 64h      | Erase Information Row                       |
| IRP                                                   | 62h      | Program Information Row                     |
| WRABR                                                 | 15h      | Write AutoBoot Register                     |

**BP3, BP2, BP1, BP0 bits:** The Block Protection (BP3, BP2, BP1 and BP0) bits are used to define the portion of the memory area to be protected. Refer to Table 6.4 for the Block Write Protection (BP) bit settings. When a defined combination of BP3, BP2, BP1 and BP0 bits are set, the corresponding memory area is protected. Any program or erase operation to that area will be inhibited.

**Note:** A Chip Erase (CER) instruction will be ignored unless all the Block Protection Bits are “0”s.

**SRWD bit:** The Status Register Write Disable (SRWD) bit operates in conjunction with the Write Protection (WP#) signal to provide a Hardware Protection Mode. When the SRWD is set to “0”, the Status Register is not write-protected. When the SRWD is set to “1” and the WP# is pulled low ( $V_{IL}$ ), the bits of Status Register (SRWD, QE, BP3, BP2, BP1, BP0) become read-only, and a WRSR instruction will be ignored. If the SRWD is set to “1” and WP# is pulled high ( $V_{IH}$ ), the Status Register can be changed by a WRSR instruction.

**QE bit:** The Quad Enable (QE) is a non-volatile bit in the Status Register that allows quad operation. When the QE bit is set to “0”, the pin WP# and HOLD#/RESET# are enabled. When the QE bit is set to “1”, the IO2 and IO3 pins are enabled.

**WARNING:** The QE bit must be set to 0 if WP# or HOLD#/RESET# pin is tied directly to the power supply.

**Table 6.4 Block (64Kbyte) assignment by Block Write Protect (BP) Bits**

| Status Register Bits |     |     |     | Protected Memory Area |                    |                  |                  |                    |                  |
|----------------------|-----|-----|-----|-----------------------|--------------------|------------------|------------------|--------------------|------------------|
| BP3                  | BP2 | BP1 | BP0 | 16 Mbit               | 8 Mbit             | 4 Mbit           | 2 Mbit           |                    |                  |
| 0                    | 0   | 0   | 0   | None                  | None               | None             | None             |                    |                  |
| 0                    | 0   | 0   | 1   | 1 block : 31          | 1 block : 15       | 1 block : 7      | 1 block : 3      |                    |                  |
| 0                    | 0   | 1   | 0   | 2 blocks : 30 - 31    | 2 blocks : 14 - 15 | 2 blocks : 6 - 7 | 2 blocks : 2 - 3 |                    |                  |
| 0                    | 0   | 1   | 1   | 4 blocks : 28 - 31    | 4 blocks : 12 - 15 | 4 blocks : 4 - 7 | All Blocks       |                    |                  |
| 0                    | 1   | 0   | 0   | 8 blocks : 24 - 31    | 8 blocks : 8 - 15  | All Blocks       |                  |                    |                  |
| 0                    | 1   | 0   | 1   | 16 blocks : 16 - 31   | All Blocks         |                  |                  |                    |                  |
| 0                    | 1   | 1   | 0   | All Blocks            |                    |                  |                  |                    |                  |
| 0                    | 1   | 1   | 1   |                       |                    |                  |                  |                    |                  |
| 1                    | 0   | 0   | 0   |                       |                    |                  |                  |                    |                  |
| 1                    | 0   | 0   | 1   |                       |                    |                  |                  |                    |                  |
| 1                    | 0   | 1   | 0   |                       |                    |                  |                  | 16 blocks : 0 - 15 |                  |
| 1                    | 0   | 1   | 1   |                       |                    |                  |                  | 8 blocks : 0 - 7   | 8 blocks : 0 - 7 |
| 1                    | 1   | 0   | 0   |                       |                    |                  |                  | 4 blocks : 0 - 3   | 4 blocks : 0 - 3 |
| 1                    | 1   | 0   | 1   |                       |                    |                  | 2 blocks : 0 - 1 | 2 blocks : 0 - 1   | 2 blocks : 0 - 1 |
| 1                    | 1   | 1   | 0   |                       |                    | 1 block : 0      | 1 block : 0      | 1 block : 0        | 1 block : 0      |
| 1                    | 1   | 1   | 1   |                       | None               | None             | None             | None               |                  |



## 6.2 FUNCTION REGISTER

Function Register Format and Bit definition are described in Table 6.5 and Table 6.6.

**Table 6.5 Function Register Format**

|         | Bit 7 | Bit 6 | Bit 5 | Bit 4 | Bit 3 | Bit 2 | Bit 1    | Bit 0                    |
|---------|-------|-------|-------|-------|-------|-------|----------|--------------------------|
|         | IRL3  | IRL2  | IRL1  | IRL0  | ESUS  | PSUS  | Reserved | RESET#<br>Enable/Disable |
| Default | 0     | 0     | 0     | 0     | 0     | 0     | 0        | 0 or 1                   |

**Table 6.6 Function Register Bit Definition**

| Bit   | Name                     | Definition                                                                                                                                   | Read /Write          | Type     |
|-------|--------------------------|----------------------------------------------------------------------------------------------------------------------------------------------|----------------------|----------|
| Bit 0 | RESET#<br>Enable/Disable | RESET# Enable/Disable<br>"0" indicates Enable dedicated RESET#<br>"1" indicates Disable dedicated RESET#                                     | R/W for 0<br>R for 1 | OTP      |
| Bit 1 | Reserved                 | Reserved                                                                                                                                     | R                    | Reserved |
| Bit 2 | PSUS                     | Program suspend bit:<br>"0" indicates program is not suspend<br>"1" indicates program is suspend                                             | R                    | Volatile |
| Bit 3 | ESUS                     | Erase suspend bit:<br>"0" indicates Erase is not suspend<br>"1" indicates Erase is suspend                                                   | R                    | Volatile |
| Bit 4 | IR Lock 0                | Lock the Information Row 0:<br>"0" indicates the Information Row can be programmed<br>"1" indicates the Information Row cannot be programmed | R/W                  | OTP      |
| Bit 5 | IR Lock 1                | Lock the Information Row 1:<br>"0" indicates the Information Row can be programmed<br>"1" indicates the Information Row cannot be programmed | R/W                  | OTP      |
| Bit 6 | IR Lock 2                | Lock the Information Row 2:<br>"0" indicates the Information Row can be programmed<br>"1" indicates the Information Row cannot be programmed | R/W                  | OTP      |
| Bit 7 | IR Lock 3                | Lock the Information Row 3:<br>"0" indicates the Information Row can be programmed<br>"1" indicates the Information Row cannot be programmed | R/W                  | OTP      |

**Note:** Once OTP bits of Function Register are written to "1", it cannot be modified to "0" any more.

".

**RESET# Enable/Disable:** The default of the bit is dependent on device. The devices with dedicated RESET# pin in 16-pin SOIC and 24-ball TFBGA packages will default to "0" from factory for enabling dedicated RESET# pin. All other parts will default to "1". If the bit defaults to "1" or programmed to "1", it can't be programmed to "0" again.

**PSUS bit:** The Program Suspend Status bit indicates when a Program operation has been suspended. The PSUS changes to "1" after a suspend command is issued during the program operation. Once the suspended Program resumes, the PSUS bit is reset to "0".

**ESUS bit:** The Erase Suspend Status bit indicates when an Erase operation has been suspended. The ESUS bit is "1" after a suspend command is issued during an Erase operation. Once the suspended Erase resumes, the ESUS bit is reset to "0".

**IR Lock bit 0 ~ 3:** The Information Row Lock bits are programmable. If the bit set to "1", the Information Row can't be programmed.

### 6.3 READ REGISTER AND EXTENDED REGISTER

Read Register format and Bit definitions are described below. Read Register and Extended Read Register consist of a pair of rewritable non-volatile register and volatile register, respectively. During power up sequence, volatile register will be loaded with the value of non-volatile value.

#### 6.3.1 READ REGISTER

Table 6.7 and Table 6.8 define all bits that control features in SPI/QPI modes. HOLD#/RESET# pin selection (P7) bit is used to select HOLD# pin or RESET# pin when QE bit is set to "0" in the standard devices. For 16-pin SOIC or 24-ball TFBGA package devices with dedicated RESET# pin (or ball) will select HOLD# only regardless of P7 bit setting.

The Dummy Cycle bits (P6, P5, P4, P3) define how many dummy cycles are used during various READ modes. The wrap selection bits (P2, P1, P0) define burst length with an enable bit.

The SET READ PARAMETERS Operations (SRPNV: 65h, SRPV: C0h or 63h) are used to set all the Read Register bits, and can thereby define HOLD#/RESET# pin selection, dummy cycles, and burst length with wrap around. SRPNV is used to set the non-volatile register and SRPV is used to set the volatile register.

**Table 6.7 Read Register Parameter Bit Table**

|         | P7           | P6           | P5           | P4           | P3           | P2          | P1           | P0           |
|---------|--------------|--------------|--------------|--------------|--------------|-------------|--------------|--------------|
|         | HOLD#/RESET# | Dummy Cycles | Dummy Cycles | Dummy Cycles | Dummy Cycles | Wrap Enable | Burst Length | Burst Length |
| Default | 0            | 0            | 0            | 0            | 0            | 0           | 0            | 0            |

**Table 6.8 Read Register Bit Definition**

| Bit | Name                    | Definition                                                                                                                                                                                                                   | Read-Write | Type                      |
|-----|-------------------------|------------------------------------------------------------------------------------------------------------------------------------------------------------------------------------------------------------------------------|------------|---------------------------|
| P0  | Burst Length            | Burst Length                                                                                                                                                                                                                 | R/W        | Non-Volatile and Volatile |
| P1  | Burst Length            | Burst Length                                                                                                                                                                                                                 | R/W        | Non-Volatile and Volatile |
| P2  | Burst Length Set Enable | Burst Length Set Enable Bit:<br>"0" indicates disable (default)<br>"1" indicates enable                                                                                                                                      | R/W        | Non-Volatile and Volatile |
| P3  | Dummy Cycles            | Number of Dummy Cycles:<br>Bits1 to Bit4 can be toggled to select the number of dummy cycles (1 to 15 cycles)                                                                                                                | R/W        | Non-Volatile and Volatile |
| P4  | Dummy Cycles            |                                                                                                                                                                                                                              | R/W        | Non-Volatile and Volatile |
| P5  | Dummy Cycles            |                                                                                                                                                                                                                              | R/W        | Non-Volatile and Volatile |
| P6  | Dummy Cycles            |                                                                                                                                                                                                                              | R/W        | Non-Volatile and Volatile |
| P7  | HOLD#/RESET#            | HOLD#/RESET# pin selection bit when QE bit = "0":<br>"0" indicates the HOLD# pin is selected (default)<br>"1" indicates the RESET# pin is selected<br>"X" for the device with dedicated RESET# function (selects HOLD# only) | R/W        | Non-Volatile and Volatile |

**Table 6.9 Burst Length Data**

|          | P1 | P0 |
|----------|----|----|
| 8 bytes  | 0  | 0  |
| 16 bytes | 0  | 1  |
| 32 bytes | 1  | 0  |
| 64 bytes | 1  | 1  |

**Table 6.10 Wrap Function**

|                                           |           |
|-------------------------------------------|-----------|
| Wrap around boundary                      | <b>P2</b> |
| Whole array regardless of P1 and P0 value | 0         |
| Burst Length set by P1 and P0             | 1         |

**Table 6.11 Read Dummy Cycles vs Max Frequency**

| P[6:3] | Dummy Cycles <sup>2,3</sup> | Fast Read <sup>5</sup><br>0Bh | Fast Read <sup>5</sup><br>0Bh | Fast Read<br>Dual<br>Output<br>3Bh | Fast Read<br>Dual IO<br>BBh | Fast Read<br>Quad<br>Output<br>6Bh | Fast Read<br>Quad IO<br>EBh | FRDTR<br>0Dh | FRDDTR<br>BDh    | FRQDTR<br>EDh |
|--------|-----------------------------|-------------------------------|-------------------------------|------------------------------------|-----------------------------|------------------------------------|-----------------------------|--------------|------------------|---------------|
|        |                             | SPI                           | QPI                           | SPI                                | SPI                         | SPI                                | SPI, QPI                    | SPI/QPI      | SPI <sup>4</sup> | SPI, QPI      |
| 0      | Default <sup>1</sup>        | 133MHz                        | 104MHz                        | 133MHz                             | 115MHz                      | 133MHz                             | 104MHz                      | 66/66MHz     | 66MHz            | 66MHz         |
| 1      | 1                           | 84MHz                         | 33MHz                         | 84MHz                              | 60MHz                       | 66MHz                              | 33MHz                       | 50/20MHz     | 33MHz            | 20MHz         |
| 2      | 2                           | 104MHz                        | 50MHz                         | 104MHz                             | 84MHz                       | 80MHz                              | 50MHz                       | 66/33MHz     | 50MHz            | 33MHz         |
| 3      | 3                           | 133MHz                        | 60MHz                         | 115MHz                             | 104MHz                      | 90MHz                              | 60MHz                       | 66/46MHz     | 66MHz            | 46MHz         |
| 4      | 4                           | 133MHz                        | 70MHz                         | 128MHz                             | 115MHz                      | 104MHz                             | 70MHz                       | 66/60MHz     | 66MHz            | 60MHz         |
| 5      | 5                           | 133MHz                        | 84MHz                         | 133MHz                             | 128MHz                      | 115MHz                             | 84MHz                       | 66/66MHz     | 66MHz            | 66MHz         |
| 6      | 6                           | 133MHz                        | 104MHz                        | 133MHz                             | 133MHz                      | 128MHz                             | 104MHz                      | 66/66MHz     | 66MHz            | 66MHz         |
| 7      | 7                           | 133MHz                        | 115MHz                        | 133MHz                             | 133MHz                      | 133MHz                             | 115MHz                      | 66/66MHz     | 66MHz            | 66MHz         |
| 8      | 8                           | 133MHz                        | 133MHz                        | 133MHz                             | 133MHz                      | 133MHz                             | 128MHz                      | 66/66MHz     | 66MHz            | 66MHz         |
| 9      | 9                           | 133MHz                        | 133MHz                        | 133MHz                             | 133MHz                      | 133MHz                             | 133MHz                      | 66/66MHz     | 66MHz            | 66MHz         |
| 10     | 10                          | 133MHz                        | 133MHz                        | 133MHz                             | 133MHz                      | 133MHz                             | 133MHz                      | 66/66MHz     | 66MHz            | 66MHz         |
| 11     | 11                          | 133MHz                        | 133MHz                        | 133MHz                             | 133MHz                      | 133MHz                             | 133MHz                      | 66/66MHz     | 66MHz            | 66MHz         |
| 12     | 12                          | 133MHz                        | 133MHz                        | 133MHz                             | 133MHz                      | 133MHz                             | 133MHz                      | 66/66MHz     | 66MHz            | 66MHz         |
| 13     | 13                          | 133MHz                        | 133MHz                        | 133MHz                             | 133MHz                      | 133MHz                             | 133MHz                      | 66/66MHz     | 66MHz            | 66MHz         |
| 14     | 14                          | 133MHz                        | 133MHz                        | 133MHz                             | 133MHz                      | 133MHz                             | 133MHz                      | 66/66MHz     | 66MHz            | 66MHz         |
| 15     | 15                          | 133MHz                        | 133MHz                        | 133MHz                             | 133MHz                      | 133MHz                             | 133MHz                      | 66/66MHz     | 66MHz            | 66MHz         |

**Notes:**

1. Default dummy cycles are as follows.

| Operation                  | Command     |          | Dummy Cycles |          | Comment                                            |
|----------------------------|-------------|----------|--------------|----------|----------------------------------------------------|
|                            | Normal mode | DTR mode | Normal mode  | DTR mode |                                                    |
| Fast Read SPI              | 0Bh         | 0Dh      | 8            | 8        | RDUID, RDSFDP, IRRD instructions are also applied. |
| Fast Read QPI              | 0Bh         | 0Dh      | 6            | 6        |                                                    |
| Fast Read Dual Output      | 3Bh         | -        | 8            | -        |                                                    |
| Fast Read Dual IO SPI      | BBh         | BDh      | 4            | 4        |                                                    |
| Fast Read Quad Output      | 6Bh         | -        | 8            | -        |                                                    |
| Fast Read Quad IO SPI, QPI | EBh         | EDh      | 6            | 6        |                                                    |

2. Enough number of dummy cycles must be applied to execute properly the AX read operation.
3. Must satisfy bus I/O contention. For instance, if the number of dummy cycles and AX bit cycles are same, then X must be Hi-Z.
4. QPI is not available for FRDDTR command.
5. RDUID, RDSFDP, IRRD instructions are also applied.

### 6.3.2 EXTENDED READ REGISTER

Table 6.12 and Table 6.13 define all bits that control features in SPI/QPI modes. The ODS2, ODS1, ODS0 (EB7, EB6, EB5) bits provide a method to set and control driver strength. The five bits (EB4, EB3, EB2, EB1, EB0) remain reserved for future use.

The SET EXTENDED READ PARAMETERS Operations (SERPNV: 85h, SERPV: 83h) are used to set all the Extended Read Register bits, and can thereby define the output driver strength used during READ modes. SRPNV is used to set the non-volatile register and SRPV is used to set the volatile register.

**Table 6.12 Extended Read Register Bit Table**

|         | EB7  | EB6  | EB5  | EB4      | EB3      | EB2      | EB1      | EB0      |
|---------|------|------|------|----------|----------|----------|----------|----------|
|         | ODS2 | ODS1 | ODS0 | Reserved | Reserved | Reserved | Reserved | Reserved |
| Default | 1    | 1    | 1    | 1        | 1        | 1        | 1        | 1        |

**Table 6.13 Extended Read Register Bit Definition**

| Bit | Name     | Definition                                                                               | Read-/Write | Type                      |
|-----|----------|------------------------------------------------------------------------------------------|-------------|---------------------------|
| EB0 | Reserved | Reserved                                                                                 | R           | Reserved                  |
| EB1 | Reserved | Reserved                                                                                 | R           | Reserved                  |
| EB2 | Reserved | Reserved                                                                                 | R           | Reserved                  |
| EB3 | Reserved | Reserved                                                                                 | R           | Reserved                  |
| EB4 | Reserved | Reserved                                                                                 | R           | Reserved                  |
| EB5 | ODS0     | Output Driver Strength:<br>Output Drive Strength can be selected according to Table 6.14 | R/W         | Non-Volatile and Volatile |
| EB6 | ODS1     |                                                                                          | R/W         | Non-Volatile and Volatile |
| EB7 | ODS2     |                                                                                          | R/W         | Non-Volatile and Volatile |

**Table 6.14 Driver Strength Table**

| ODS2 | ODS1 | ODS0 | Description | Remark  |
|------|------|------|-------------|---------|
| 0    | 0    | 0    | Reserved    |         |
| 0    | 0    | 1    | 12.50%      |         |
| 0    | 1    | 0    | 25%         |         |
| 0    | 1    | 1    | 37.50%      |         |
| 1    | 0    | 0    | Reserved    |         |
| 1    | 0    | 1    | 75%         |         |
| 1    | 1    | 0    | 100%        |         |
| 1    | 1    | 1    | 50%         | Default |

**6.4 AUTOBOOT REGISTER**

AutoBoot Register Bit (32 bits) Definitions are described in Table 6.15.

**Table 6.15 AutoBoot Register Parameter Bit Table**

| Bits      | Symbols | Function               | Type         | Default Value | Description                                                                                                                                                                                                                                                                         |
|-----------|---------|------------------------|--------------|---------------|-------------------------------------------------------------------------------------------------------------------------------------------------------------------------------------------------------------------------------------------------------------------------------------|
| AB[31:24] | ABSA    | Reserved               | Reserved     | 00h           | Reserved for future use                                                                                                                                                                                                                                                             |
| AB[23:5]  | ABSA    | AutoBoot Start Address | Non-Volatile | 00000h        | 32 byte boundary address for the start of boot code access                                                                                                                                                                                                                          |
| AB[4:1]   | ABSD    | AutoBoot Start Delay   | Non-Volatile | 0h            | Number of initial delay cycles between CE# going low and the first bit of boot code being transferred, and it is the same as dummy cycles of FRD (QE=0) or FRQIO (QE=1).<br>Example: The number of initial delay cycles is 8 (QE=0) or 6 (QE=1) when AB[4:1]=00h (Default setting). |
| AB0       | ABE     | AutoBoot Enable        | Non-Volatile | 0             | 1 = AutoBoot is enabled<br>0 = AutoBoot is not enabled                                                                                                                                                                                                                              |

## 7. PROTECTION MODE

The device supports hardware and software write-protection mechanisms.

### 7.1 HARDWARE WRITE PROTECTION

The Write Protection (WP#) pin provides a hardware write protection method for BP3, BP2, BP1, BP0, SRWD, and QE in the Status Register. Refer to the section 6.1 STATUS REGISTER.

Write inhibit voltage ( $V_{WI}$ ) is specified in the section 9.8 POWER-UP AND POWER-DOWN. All write sequence will be ignored when  $V_{CC}$  drops to  $V_{WI}$ .

**Table 7.1 Hardware Write Protection on Status Register**

| SRWD | WP#  | Status Register |
|------|------|-----------------|
| 0    | Low  | Writable        |
| 1    | Low  | Protected       |
| 0    | High | Writable        |
| 1    | High | Writable        |

**Note:** Before the execution of any program, erase or write Status Register instruction, the Write Enable Latch (WEL) bit must be enabled by executing a Write Enable (WREN) instruction. If the WEL bit is not enabled, the program, erase or write register instruction will be ignored.

### 7.2 SOFTWARE WRITE PROTECTION

The device also provides a software write protection feature. The Block Protection (BP3, BP2, BP1, BP0) bits allow part or the whole memory area to be write-protected.

## 8. DEVICE OPERATION

The device utilizes an 8-bit instruction register. Refer to Table 8.1. Instruction Set for details on instructions and instruction codes. All instructions, addresses, and data are shifted in with the most significant bit (MSB) first on Serial Data Input (SI) or Serial Data IOs (IO0, IO1, IO2, IO3). The input data on SI or IOs is latched on the rising edge of Serial Clock (SCK) for normal mode and both of rising and falling edges for DTR mode after Chip Enable (CE#) is driven low ( $V_{IL}$ ). Every instruction sequence starts with a one-byte instruction code and is followed by address bytes, data bytes, or both address bytes and data bytes, depending on the type of instruction. CE# must be driven high ( $V_{IH}$ ) after the last bit of the instruction sequence has been shifted in to end the operation.

**Table 8.1 Instruction Set**

| Instruction Name | Operation               | Mode       | Byte0      | Byte1                | Byte2               | Byte3              | Byte4                          | Byte5            | Byte6 |
|------------------|-------------------------|------------|------------|----------------------|---------------------|--------------------|--------------------------------|------------------|-------|
| NORD             | Normal Read Mode        | SPI        | 03h        | A<br><23:16>         | A<br><15:8>         | A<br><7:0>         | Data out                       |                  |       |
| FRD              | Fast Read Mode          | SPI<br>QPI | 0Bh        | A<br><23:16>         | A<br><15:8>         | A<br><7:0>         | Dummy <sup>(1)</sup><br>Byte   | Data out         |       |
| FRDIO            | Fast Read Dual I/O      | SPI        | BBh        | A<br><23:16><br>Dual | A<br><15:8><br>Dual | A<br><7:0><br>Dual | AXh <sup>(1),(2)</sup><br>Dual | Dual<br>Data out |       |
| FRDO             | Fast Read Dual Output   | SPI        | 3Bh        | A<br><23:16>         | A<br><15:8>         | A<br><7:0>         | Dummy <sup>(1)</sup><br>Byte   | Dual<br>Data out |       |
| FRQIO            | Fast Read Quad I/O      | SPI<br>QPI | EBh        | A<br><23:16><br>Quad | A<br><15:8><br>Quad | A<br><7:0><br>Quad | AXh <sup>(1),(2)</sup><br>Quad | Quad<br>Data out |       |
| FRQO             | Fast Read Quad Output   | SPI        | 6Bh        | A<br><23:16>         | A<br><15:8>         | A<br><7:0>         | Dummy <sup>(1)</sup><br>Byte   | Quad<br>Data out |       |
| FRDTR            | Fast Read DTR Mode      | SPI<br>QPI | 0Dh        | A<br><23:16>         | A<br><15:8>         | A<br><7:0>         | Dummy <sup>(1)</sup><br>Byte   | Dual<br>Data out |       |
| FRDDTR           | Fast Read Dual I/O DTR  | SPI        | BDh        | A<br><23:16><br>Dual | A<br><15:8><br>Dual | A<br><7:0><br>Dual | AXh <sup>(1),(2)</sup><br>Dual | Dual<br>Data out |       |
| FRQDTR           | Fast Read Quad I/O DTR  | SPI<br>QPI | EDh        | A<br><23:16>         | A<br><15:8>         | A<br><7:0>         | AXh <sup>(1),(2)</sup><br>Quad | Quad<br>Data out |       |
| PP               | Input Page Program      | SPI<br>QPI | 02h        | A<br><23:16>         | A<br><15:8>         | A<br><7:0>         | PD<br>(256byte)                |                  |       |
| PPQ              | Quad Input Page Program | SPI        | 32h<br>38h | A<br><23:16>         | A<br><15:8>         | A<br><7:0>         | Quad PD<br>(256byte)           |                  |       |
| SER              | Sector Erase            | SPI<br>QPI | D7h<br>20h | A<br><23:16>         | A<br><15:8>         | A<br><7:0>         |                                |                  |       |
| BER32<br>(32KB)  | Block Erase<br>32Kbyte  | SPI<br>QPI | 52h        | A<br><23:16>         | A<br><15:8>         | A<br><7:0>         |                                |                  |       |
| BER64<br>(64KB)  | Block Erase<br>64Kbyte  | SPI<br>QPI | D8h        | A<br><23:16>         | A<br><15:8>         | A<br><7:0>         |                                |                  |       |
| CER              | Chip Erase              | SPI<br>QPI | C7h<br>60h |                      |                     |                    |                                |                  |       |
| WREN             | Write Enable            | SPI<br>QPI | 06h        |                      |                     |                    |                                |                  |       |
| WRDI             | Write Disable           | SPI<br>QPI | 04h        |                      |                     |                    |                                |                  |       |
| RDSR             | Read Status Register    | SPI<br>QPI | 05h        | SR                   |                     |                    |                                |                  |       |
| WRSR             | Write Status Register   | SPI<br>QPI | 01h        | WSR<br>Data          |                     |                    |                                |                  |       |

| Instruction Name | Operation                                             | Mode       | Byte0      | Byte1                       | Byte2                      | Byte3                     | Byte4         | Byte5    | Byte6 |
|------------------|-------------------------------------------------------|------------|------------|-----------------------------|----------------------------|---------------------------|---------------|----------|-------|
| RDFR             | Read Function Register                                | SPI<br>QPI | 48h        | Data out                    |                            |                           |               |          |       |
| WRFR             | Write Function Register                               | SPI<br>QPI | 42h        | WFR Data                    |                            |                           |               |          |       |
| QPIEN            | Enter QPI mode                                        | SPI        | 35h        |                             |                            |                           |               |          |       |
| QPIDI            | Exit QPI mode                                         | QPI        | F5h        |                             |                            |                           |               |          |       |
| PERSUS           | Suspend during program/erase                          | SPI<br>QPI | 75h<br>B0h |                             |                            |                           |               |          |       |
| PERRSM           | Resume program/erase                                  | SPI<br>QPI | 7Ah<br>30h |                             |                            |                           |               |          |       |
| DP               | Deep Power Down                                       | SPI<br>QPI | B9h        |                             |                            |                           |               |          |       |
| RDID,<br>RDPD    | Read ID /<br>Release<br>Power Down                    | SPI<br>QPI | ABh        | XXh <sup>(3)</sup>          | XXh <sup>(3)</sup>         | XXh <sup>(3)</sup>        | ID7-ID0       |          |       |
| SRPNV            | Set Read<br>Parameters<br>(Non-Volatile)              | SPI<br>QPI | 65h        | Data in                     |                            |                           |               |          |       |
| SRPV             | Set Read<br>Parameters<br>(Volatile)                  | SPI<br>QPI | C0h<br>63h | Data in                     |                            |                           |               |          |       |
| SERP NV          | Set Extended<br>Read<br>Parameters<br>(Non-Volatile)  | SPI<br>QPI | 85h        | Data in                     |                            |                           |               |          |       |
| SERP V           | Set Extended<br>Read<br>Parameters<br>(Volatile)      | SPI<br>QPI | 83h        | Data in                     |                            |                           |               |          |       |
| RDRPNV           | Read Read<br>Parameters<br>(Non-Volatile)             | SPI<br>QPI | 61h        | Data out                    |                            |                           |               |          |       |
| RDERPNV          | Read<br>Extended Read<br>Parameters<br>(Non-Volatile) | SPI<br>QPI | 81h        | Data out                    |                            |                           |               |          |       |
| RDJDID           | Read JEDEC<br>ID Command                              | SPI        | 9Fh        | MF7-MF0                     | ID15-ID8                   | ID7-ID0                   |               |          |       |
| RDMDID           | Read<br>Manufacturer<br>& Device ID                   | SPI<br>QPI | 90h        | XXh <sup>(3)</sup>          | XXh <sup>(3)</sup>         | 00h                       | MF7-MF0       | ID7-ID0  |       |
|                  |                                                       |            |            |                             |                            | 01h                       | ID7-ID0       | MF7-MF0  |       |
| RDJDIDQ          | Read JEDEC ID<br>QPI mode                             | QPI        | AFh        | MF7-MF0                     | ID15-ID8                   | ID7-ID0                   |               |          |       |
| RDUID            | Read<br>Unique ID                                     | SPI<br>QPI | 4Bh        | A <sup>(4)</sup><br><23:16> | A <sup>(4)</sup><br><15:8> | A <sup>(4)</sup><br><7:0> | Dummy<br>Byte | Data out |       |
| RDSFDP           | SFDP Read                                             | SPI<br>QPI | 5Ah        | A<br><23:16>                | A<br><15:8>                | A<br><7:0>                | Dummy<br>Byte | Data out |       |
| NOP              | No Operation                                          | SPI<br>QPI | 00h        |                             |                            |                           |               |          |       |
| RSTEN            | Software<br>Reset<br>Enable                           | SPI<br>QPI | 66h        |                             |                            |                           |               |          |       |
| RST              | Software Reset                                        | SPI<br>QPI | 99h        |                             |                            |                           |               |          |       |



| Instruction Name | Operation               | Mode       | Byte0 | Byte1        | Byte2       | Byte3      | Byte4           | Byte5    | Byte6 |
|------------------|-------------------------|------------|-------|--------------|-------------|------------|-----------------|----------|-------|
| IRER             | Erase Information Row   | SPI<br>QPI | 64h   | A<br><23:16> | A<br><15:8> | A<br><7:0> |                 |          |       |
| IRP              | Program Information Row | SPI<br>QPI | 62h   | A<br><23:16> | A<br><15:8> | A<br><7:0> | PD<br>(256byte) |          |       |
| IRRD             | Read Information Row    | SPI<br>QPI | 68h   | A<br><23:16> | A<br><15:8> | A<br><7:0> | Dummy<br>Byte   | Data out |       |
| SECUN-<br>LOCK   | Sector Unlock           | SPI<br>QPI | 26h   | A<br><23:16> | A<br><15:8> | A<br><7:0> |                 |          |       |
| SECLOCK          | Sector Lock             | SPI<br>QPI | 24h   |              |             |            |                 |          |       |
| RDABR            | Read AutoBoot Register  | SPI<br>QPI | 14h   |              |             |            |                 |          |       |
| WRABR            | Write AutoBoot Register | SPI<br>QPI | 15h   | Data in 1    | Data in 2   | Data in 3  | Data in 4       |          |       |

**Notes:**

1. The number of dummy cycles depends on the value setting in the Table 6.11 Read Dummy Cycles.
2. AXh has to be counted as a part of dummy cycles. X means "don't care".
3. XX means "don't care".
4. A<23:9> are "don't care" and A<8:4> are always "0".

### 8.1 NORMAL READ OPERATION (NORD, 03h)

The NORMAL READ (NORD) instruction is used to read memory contents at a maximum frequency of 50MHz.

The NORD instruction code is transmitted via the SI line, followed by three address bytes (A23 - A0) of the first memory location to be read. A total of 24 address bits are shifted in, but only A<sub>MSB</sub> (most significant bit) - A<sub>0</sub> are decoded. The remaining bits (A23 - A<sub>MSB+1</sub>) are ignored. The first byte addressed can be at any memory location. Upon completion, any data on the SI will be ignored. Refer to Table 8.2 for the related Address Key.

The first byte data (D7 - D0) is shifted out on the SO line, MSB first. A single byte of data, or up to the whole memory array, can be read out in one NORMAL READ instruction. The address is automatically incremented by one after each byte of data is shifted out. The read operation can be terminated at any time by driving CE# high (VIH) after the data comes out. When the highest address of the device is reached, the address counter will roll over to the 000000h address, allowing the entire memory to be read in one continuous READ instruction.

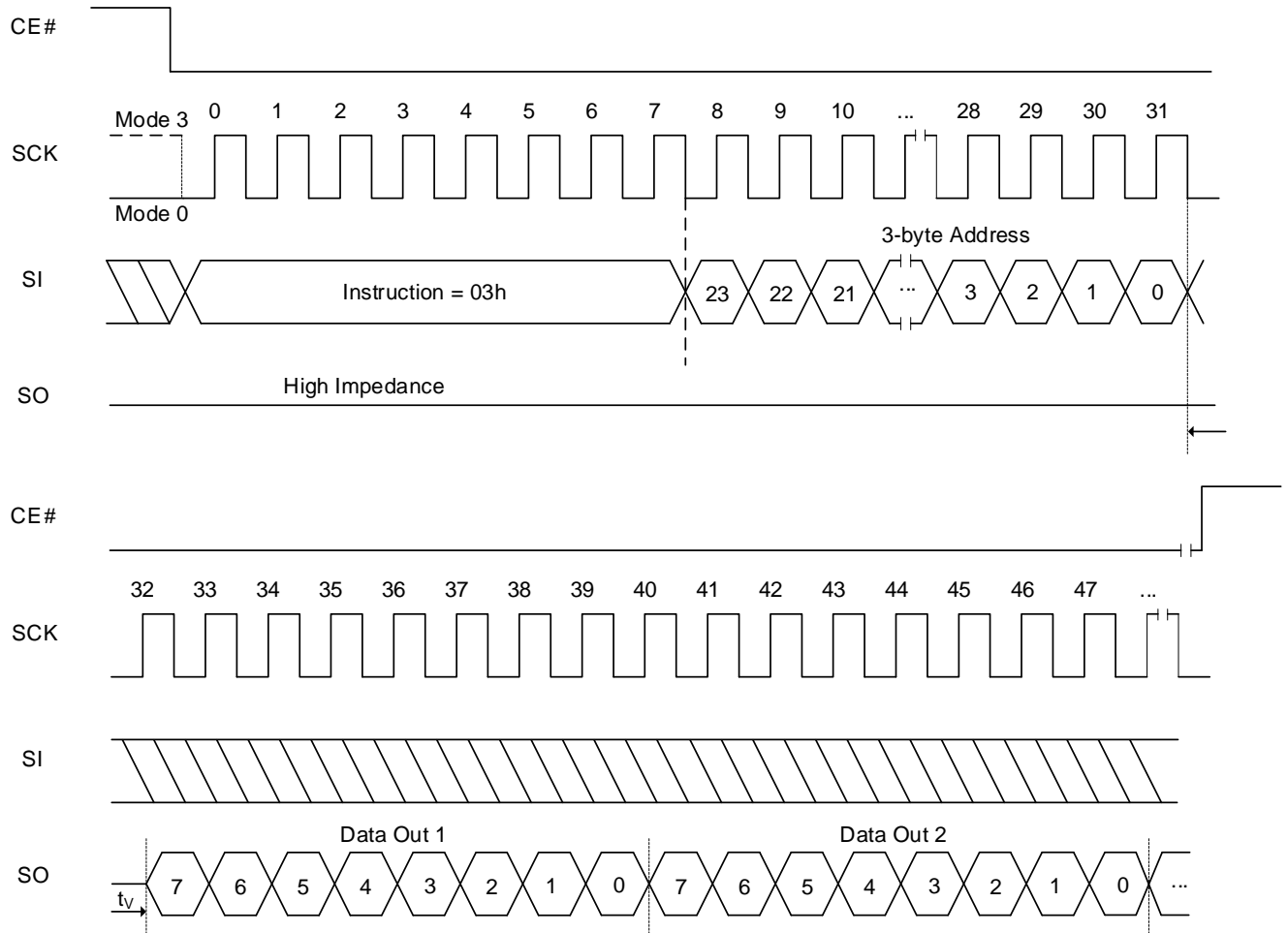
If the NORMAL READ instruction is issued while an Erase, Program or Write operation is in process (WIP=1) the instruction is ignored and will not have any effects on the current operation.

**Table 8.2 Address Key**

| Address                          | 16Mb               | 8Mb                | 4Mb                | 2Mb                |
|----------------------------------|--------------------|--------------------|--------------------|--------------------|
| A <sub>MSB</sub> -A <sub>0</sub> | A20-A0 (A23-A21=X) | A19-A0 (A23-A20=X) | A18-A0 (A23-A19=X) | A17-A0 (A23-A18=X) |

**Note: X=Don't Care**

Figure 8.1 Normal Read Sequence



## 8.2 FAST READ OPERATION (FRD, 0Bh)

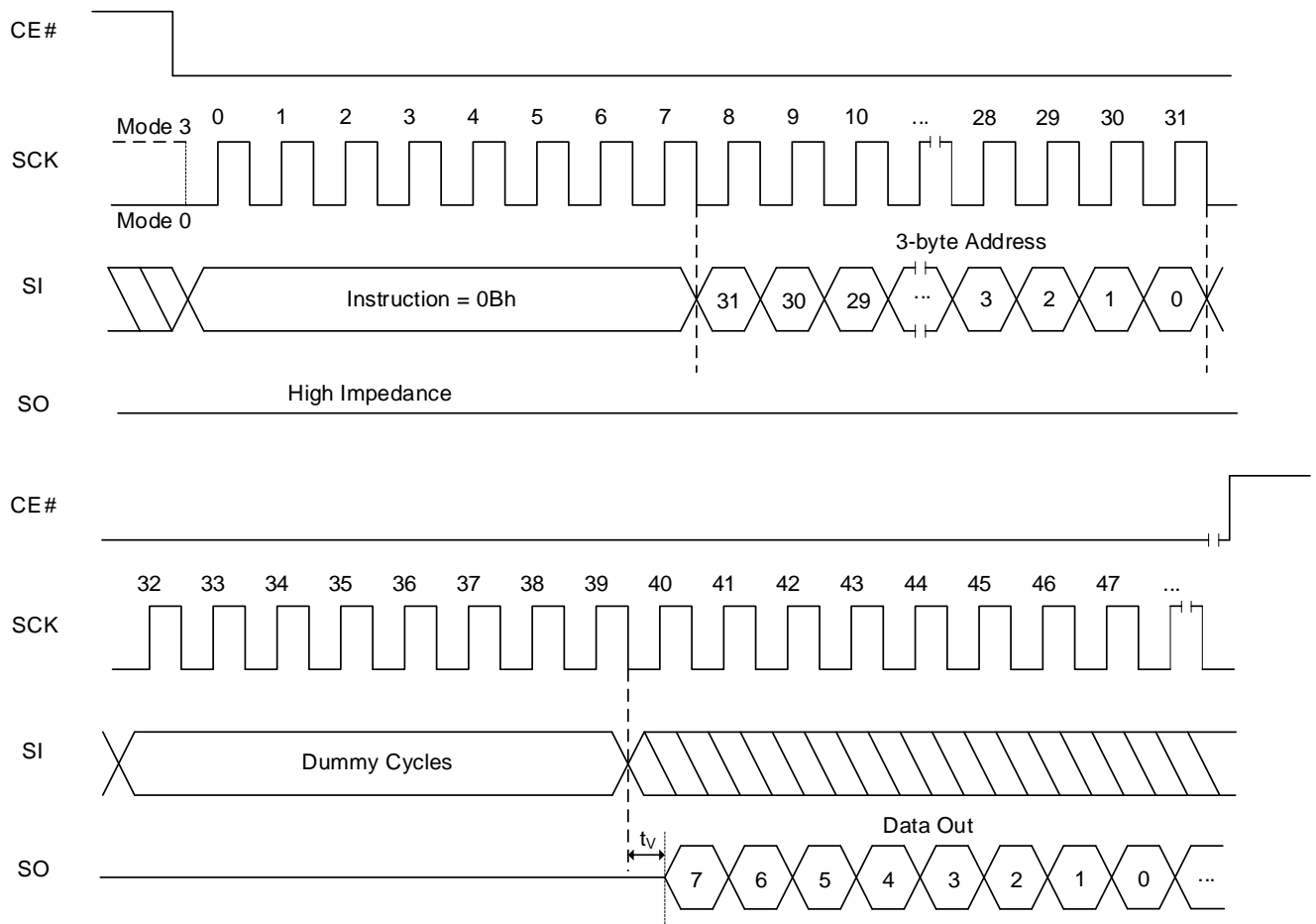
The FAST READ (FRD) instruction is used to read memory data at up to a 133MHz clock.

The FAST READ instruction code is followed by three address bytes (A23 - A0) and dummy cycles (configurable, default is 8 clocks), transmitted via the SI line, with each bit latched-in during the rising edge of SCK. Then the first data byte from the address is shifted out on the SO line, with each bit shifted out at a maximum frequency  $f_{CT}$ , during the falling edge of SCK.

The first byte addressed can be at any memory location. The address is automatically incremented by one after each byte of data is shifted out. When the highest address is reached, the address counter will roll over to the 000000h address, allowing the entire memory to be read with a single FAST READ instruction. The FAST READ instruction is terminated by driving CE# high (VIH).

If the FAST READ instruction is issued while an Erase, Program or Write cycle is in process (WIP=1) the instruction is ignored without affecting the current cycle.

**Figure 8.2 Fast Read Sequence**



**Note: Dummy cycles depends on Read Parameter setting. Detailed information in Table 6.11 Read Dummy Cycles.**

**FAST READ QPI OPERATION (FRD QPI, 0Bh)**

The FAST READ QPI (FRD QPI) instruction is used to read memory data at up to a 133MHz clock.

The FAST READ QPI instruction code (2 clocks) is followed by three address bytes (A23-A0 — 6 clocks) and dummy cycles (configurable, default is 6 cycles), transmitted via the IO3, IO2, IO1 and IO0 lines, with each bit latched-in during the rising edge of SCK. Then the first data byte addressed is shifted out on the IO3, IO2, IO1 and IO0 lines, with each bit shifted out at a maximum frequency  $f_{CT}$ , during the falling edge of SCK.

The first byte addressed can be at any memory location. The address is automatically incremented by one after each byte of data is shifted out. When the highest address is reached, the address counter will roll over to the 000000h address, allowing the entire memory to be read with a single FAST READ QPI instruction. The FAST READ QPI instruction is terminated by driving CE# high (VIH).

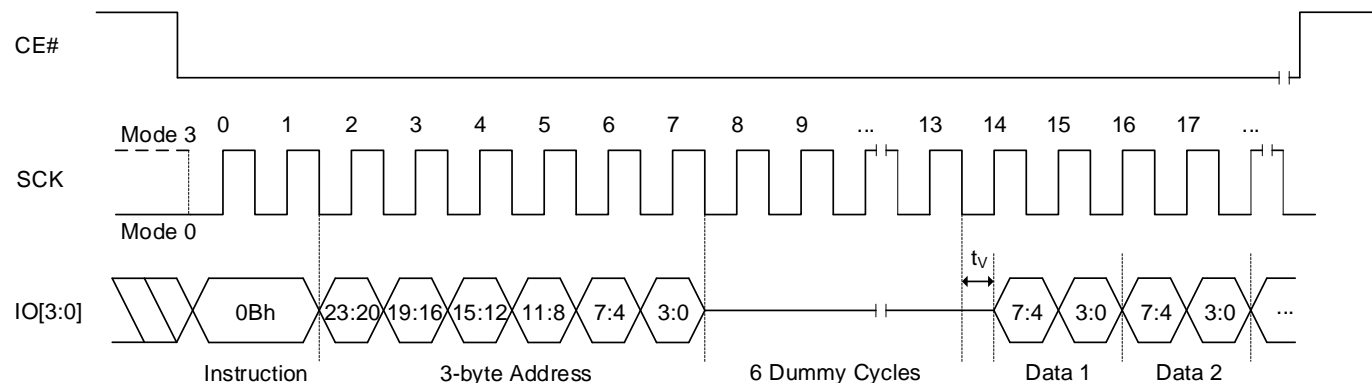
If the FAST READ QPI instruction is issued while an Erase, Program or Write cycle is in process (WIP=1) the instruction is ignored without affecting the current cycle.

The Fast Read QPI sequence is also applied to the commands in the following table 8.3.

**Table 8.3 Instructions that Fast Read QPI sequence is applied to**

| Instruction Name | Operation            | Hex Code |
|------------------|----------------------|----------|
| FRQIO            | Fast Read Quad I/O   | EBh      |
| RDUID            | Read Unique ID       | 4Bh      |
| RDSFDP           | SFDP Read            | 5Ah      |
| IRRD             | Read Information Row | 68h      |

**Figure 8.3 Fast Read QPI Sequence**



**Note:** Number of dummy cycles depends on Read Parameter setting. Detailed information in Table 6.11 Read Dummy Cycles.

### 8.3 HOLD OPERATION

HOLD# is used in conjunction with CE# to select the device. When the device is selected and a serial sequence is underway, HOLD# can be used to pause the serial communication with the master device without resetting the serial sequence. To pause, HOLD# is brought low while the SCK signal is low. To resume serial communication, HOLD# is brought high while the SCK signal is low (SCK may still toggle during HOLD). Inputs to SI will be ignored while SO is in the high impedance state, during HOLD.

**Note: HOLD is not supported in DTR mode or with QE=1 or when RESET# is selected for the HOLD# or RESET# pin.**

Timing graph can be referenced in AC Parameters Figure 9.4.

### 8.4 FAST READ DUAL I/O OPERATION (FRDIO, BBh)

The FRDIO allows the address bits to be input two bits at a time. This may allow for code to be executed directly from the SPI in some applications.

The FRDIO instruction code is followed by three address bytes (A23 – A0) and dummy cycles (configurable, default is 4 clocks), transmitted via the IO1 and IO0 lines, with each pair of bits latched-in during the rising edge of SCK. The address MSB is input on IO1, the next bit on IO0, and this shift pattern continues to alternate between the two lines. Depending on the usage of AX read operation mode, a mode byte may be located after address input.

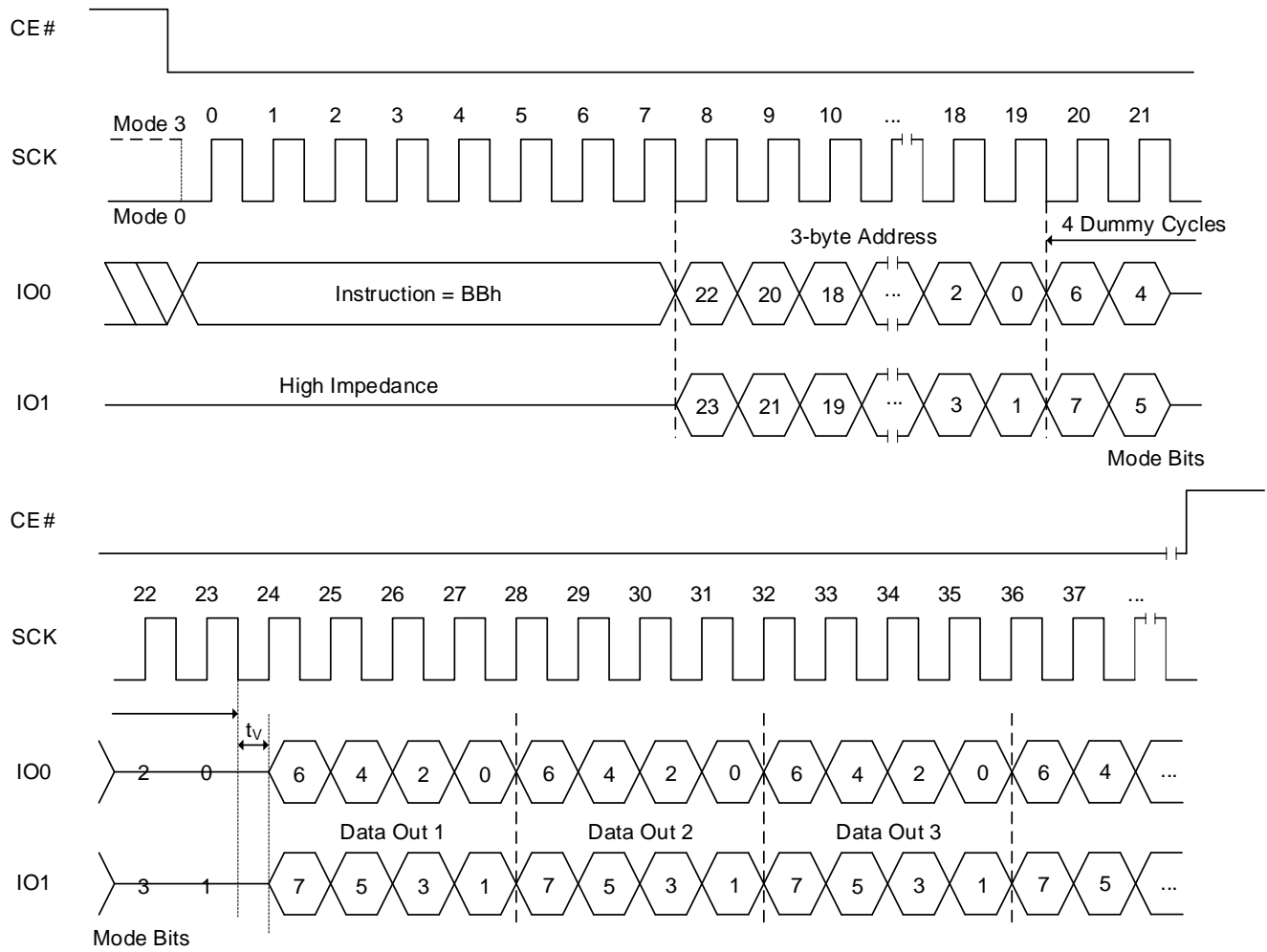
The first data byte addressed is shifted out on the IO1 and IO0 lines, with each pair of bits shifted out at a maximum frequency  $f_{CT}$ , during the falling edge of SCK. The MSB is output on IO1, while simultaneously the second bit is output on IO0. Figure 8.4 illustrates the timing sequence.

The first byte addressed can be at any memory location. The address is automatically incremented by one after each byte of data is shifted out. When the highest address is reached, the address counter will roll over to the 000000h address, allowing the entire memory to be read with a single FRDIO instruction. FRDIO instruction is terminated by driving CE# high ( $V_{IH}$ ).

The device supports the AX read operation by applying mode bits during dummy period. Mode bits consist of 8 bits, such as M7 to M0. Four cycles after address input are reserved for Mode bits in FRDIO execution. M7 to M4 are important for enabling this mode. M3 to M0 become don't care for future use. When M[7:4]=1010(Ah), it enables the AX read operation and subsequent FRDIO execution skips command code. It saves cycles as described in Figure 8.5. When the code is different from AXh (where X is don't care), the device exits the AX read operation. After finishing the read operation, device becomes ready to receive a new command. SPI or QPI mode configuration retains the prior setting. Mode bit must be applied during dummy cycles. Number of dummy cycles in Table 6.11 includes number of mode bit cycles. If dummy cycles are configured as 4 cycles, data output will start right after mode bit is applied.

If the FRDIO instruction is issued while an Erase, Program or Write cycle is in process (WIP=1) the instruction is ignored and will not affect the current cycle.

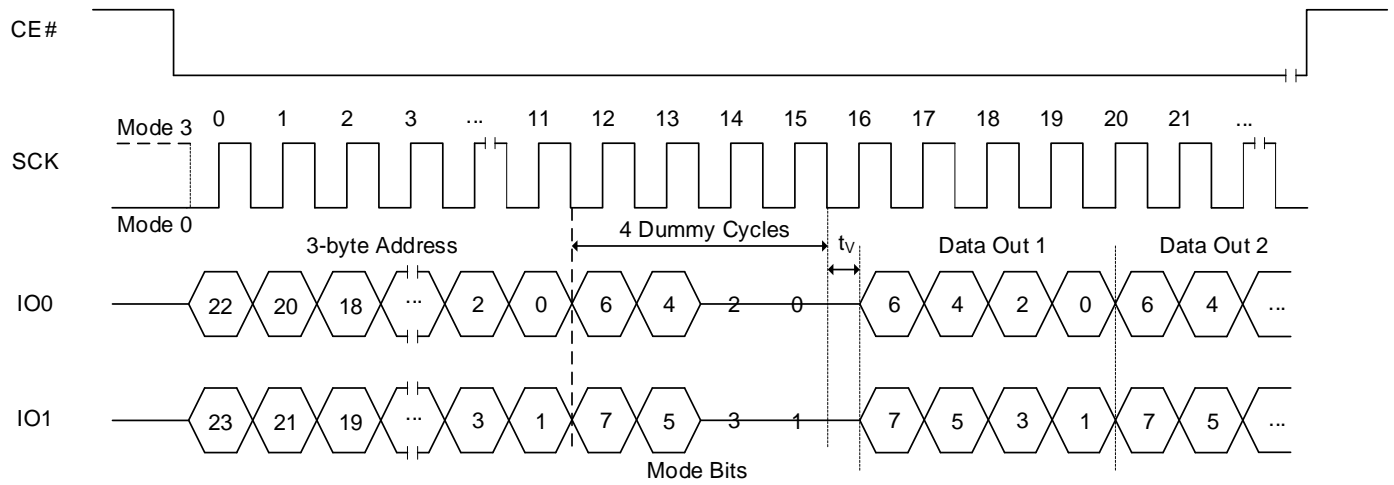
Figure 8.4 Fast Read Dual I/O Sequence (with command decode cycles)



**Notes:**

1. If the mode bits=AXh (where X is don't care), it can execute the AX read mode (without command). When the mode bits are different from AXh, the device exits the AX read operation.
2. Number of dummy cycles depends on clock speed. Detailed information in Table 6.11 Read Dummy Cycles.
3. Sufficient dummy cycles are required to avoid I/O contention. If the number of dummy cycles and AX bit cycles are same, then X should be Hi-Z.

Figure 8.5 Fast Read Dual I/O AX Read Sequence (without command decode cycles)



**Notes:**

1. If the mode bits=AXh (where X is don't care), it will keep executing the AX read mode (without command). When the mode bits are different from AXh, the device exits the AX read operation.
2. Number of dummy cycles depends on clock speed. Detailed information in Table 6.11 Read Dummy Cycles.
3. Sufficient dummy cycles are required to avoid I/O contention. If the number of dummy cycles and AX bit cycles are same, then X should be Hi-Z.



### 8.5 FAST READ DUAL OUTPUT OPERATION (FRDO, 3Bh)

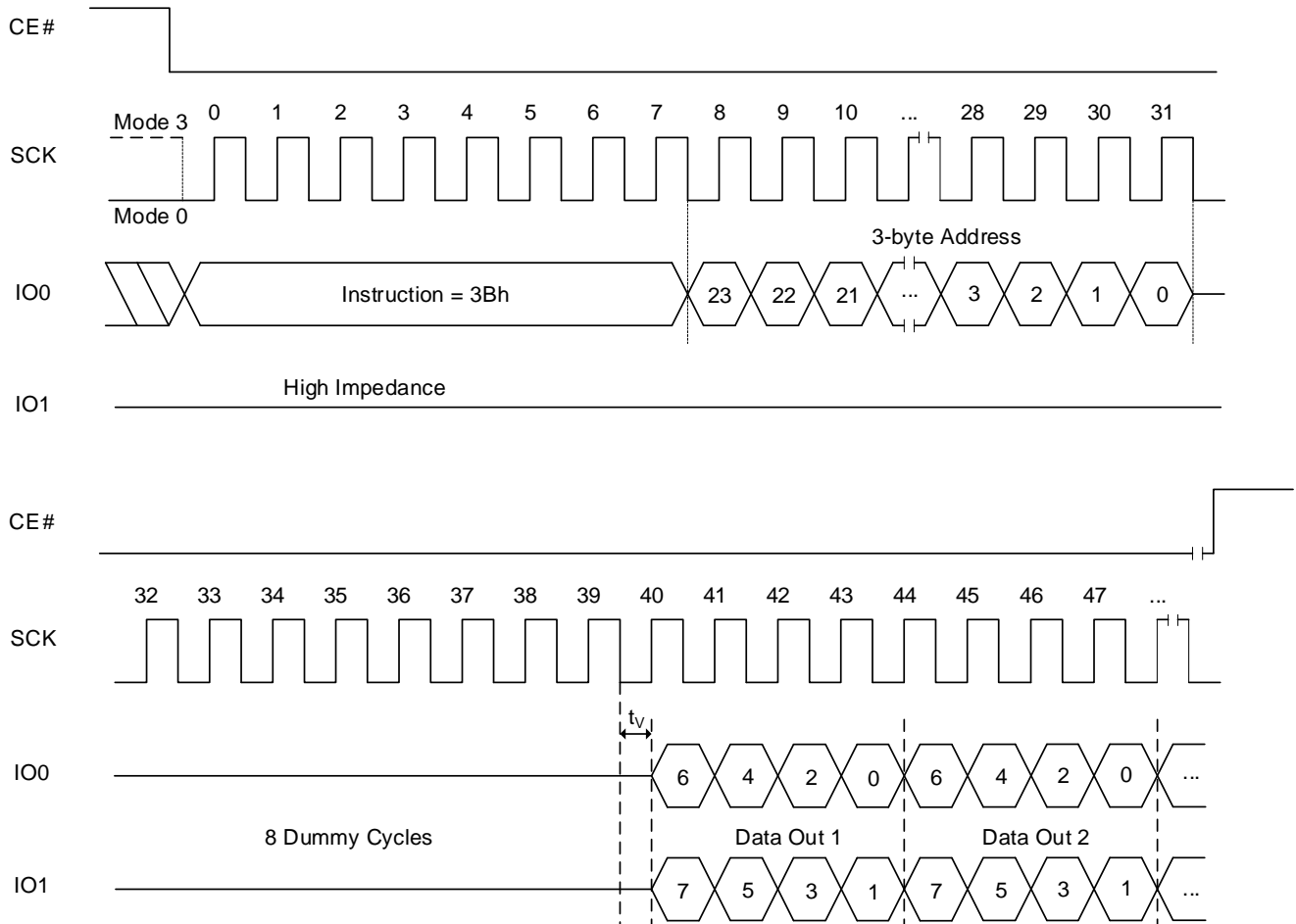
The FRDO instruction is used to read memory data on two output pins each at up to a 133MHz clock.

The FRDO instruction code is followed by three address bytes (A23 – A0) and dummy cycles (configurable, default is 8 clocks), transmitted via the IO0 line, with each bit latched-in during the rising edge of SCK. Then the first data byte addressed is shifted out on the IO1 and IO0 lines, with each pair of bits shifted out at a maximum frequency  $f_{CT}$ , during the falling edge of SCK. The first bit (MSB) is output on IO1. Simultaneously, the second bit is output on IO0.

The first byte addressed can be at any memory location. The address is automatically incremented by one after each byte of data is shifted out. When the highest address is reached, the address counter will roll over to the 000000h address, allowing the entire memory to be read with a single FRDO instruction. The FRDO instruction is terminated by driving CE# high (VIH).

If the FRDO instruction is issued while an Erase, Program or Write cycle is in process (BUSY=1) the instruction is ignored and will not have any effects on the current cycle.

**Figure 8.6 Fast Read Dual Output Sequence**



**Note: Dummy cycles depends on Read Parameter setting. Detailed information in Table 6.11 Read Dummy Cycles.**

### 8.6 FAST READ QUAD OUTPUT OPERATION (FRQO, 6Bh)

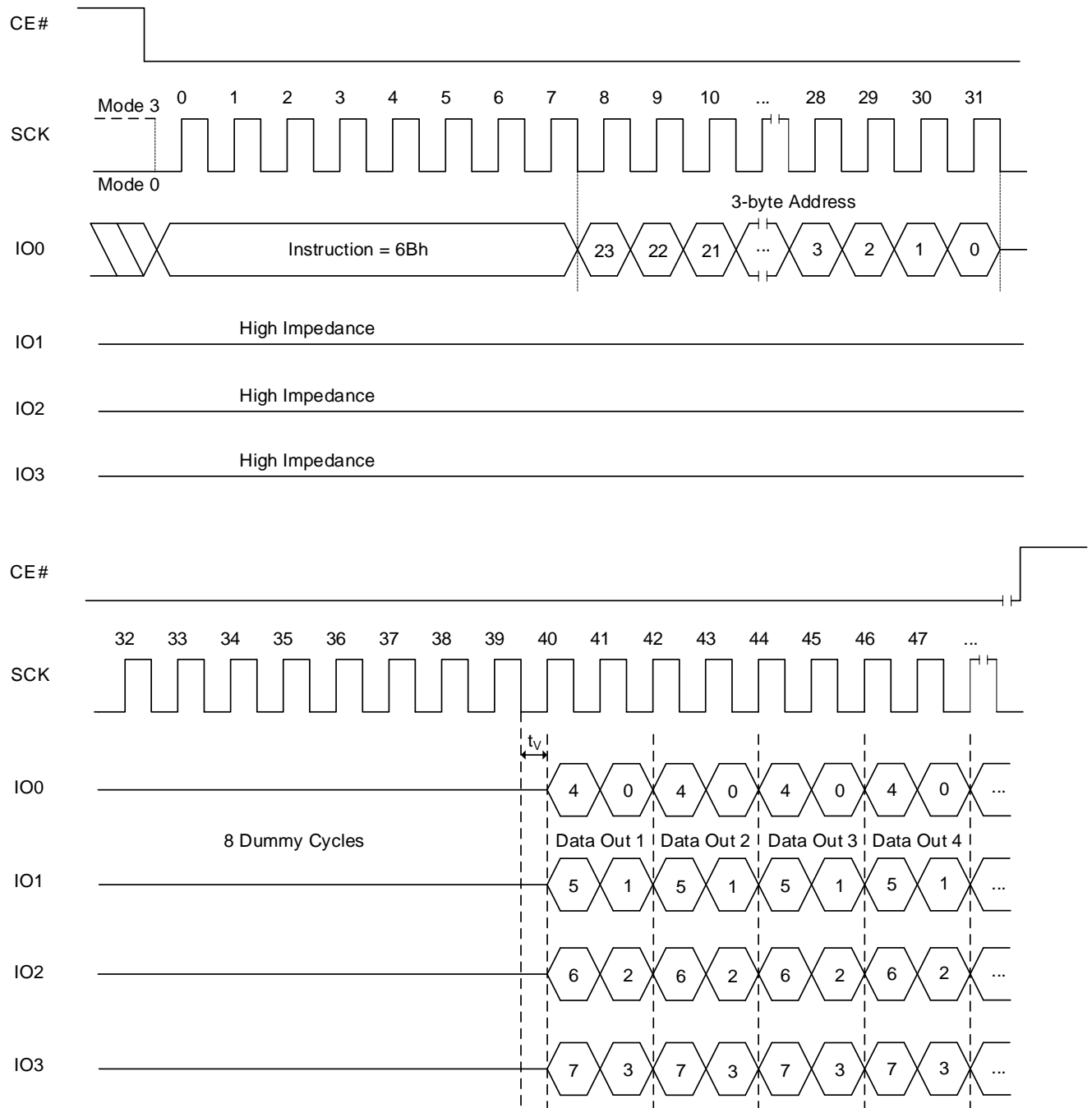
The FRQO instruction is used to read memory data on four output pins each at up to a 133 MHz clock.

The FRQO instruction code is followed by three address bytes (A23 – A0) and dummy cycles (configurable, default is 8 clocks), transmitted via the IO0 line, with each bit latched-in during the rising edge of SCK. Then the first data byte addressed is shifted out on the IO3, IO2, IO1 and IO0 lines, with each group of four bits shifted out at a maximum frequency  $f_{CT}$ , during the falling edge of SCK. The first bit (MSB) is output on IO3, while simultaneously the second bit is output on IO2, the third bit is output on IO1, etc.

The first byte addressed can be at any memory location. The address is automatically incremented after each byte of data is shifted out. When the highest address is reached, the address counter will roll over to the 000000h address, allowing the entire memory to be read with a single FRQO instruction. FRQO instruction is terminated by driving CE# high (VIH).

If a FRQO instruction is issued while an Erase, Program or Write cycle is in process (BUSY=1) the instruction is ignored and will not have any effects on the current cycle.

Figure 8.7 Fast Read Quad Output Sequence



Note: Dummy cycles depends on Read Parameter setting. Detailed information in Table 6.11 Read Dummy Cycles.

### 8.7 FAST READ QUAD I/O OPERATION (FRQIO, EBh)

The FRQIO instruction allows the address bits to be input four bits at a time. This may allow for code to be executed directly from the SPI in some applications.

The FRQIO instruction code is followed by three address bytes (A23 – A0) and dummy cycles (configurable, default is 6 clocks), transmitted via the IO3, IO2, IO1 and IO0 lines, with each group of four bits latched-in during the rising edge of SCK. The address of MSB inputs on IO3, the next bit on IO2, the next bit on IO1, the next bit on IO0, and continue to shift in alternating on the four. Depending on the usage of AX read operation mode, a mode byte may be located after address input.

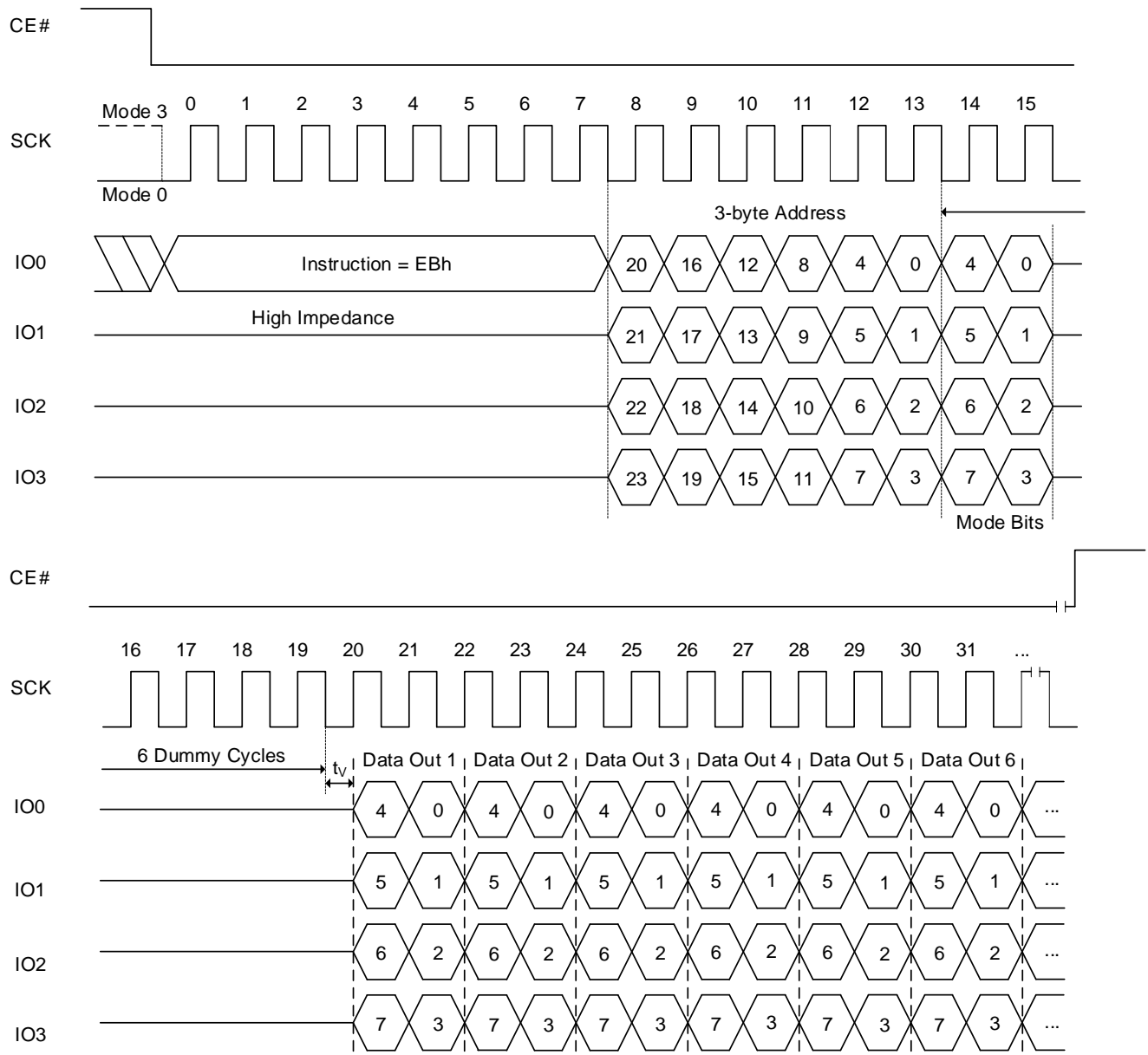
The first data byte addressed is shifted out on the IO3, IO2, IO1 and IO0 lines, with each group of four bits shifted out at a maximum frequency  $f_{CT}$ , during the falling edge of SCK. The first bit (MSB) is output on IO3, while simultaneously the second bit is output on IO2, the third bit is output on IO1, etc. Figure 8.8 illustrates the timing sequence.

The first byte addressed can be at any memory location. The address is automatically incremented after each byte of data is shifted out. When the highest address is reached, the address counter will roll over to the 000000h address, allowing the entire memory to be read with a single FRQIO instruction. FRQIO instruction is terminated by driving CE# high ( $V_{IH}$ ).

The device supports the AX read operation by applying mode bits during dummy period. Mode bits consist of 8 bits, such as M7 to M0. Two cycles after address input are reserved for Mode bits in FRQIO execution. M7 to M4 are important for enabling this mode. M3 to M0 become don't care for future use. When M[7:4]=1010(Ah), it enables the AX read operation and subsequent FRQIO execution skips command code. It saves cycles as described in Figure 8.9. When the code is different from AXh (where X is don't care), the device exits the AX read operation. After finishing the read operation, device becomes ready to receive a new command. SPI or QPI mode configuration retains the prior setting. Mode bit must be applied during dummy cycles. Number of dummy cycles in Table 6.11 includes number of mode bit cycles. If dummy cycles are configured as 6 cycles, data output will start right after mode bits and 4 additional dummy cycles are applied.

If the FRQIO instruction is issued while an Erase, Program or Write cycle is in process (WIP=1) the instruction is ignored and will not have any effects on the current cycle.

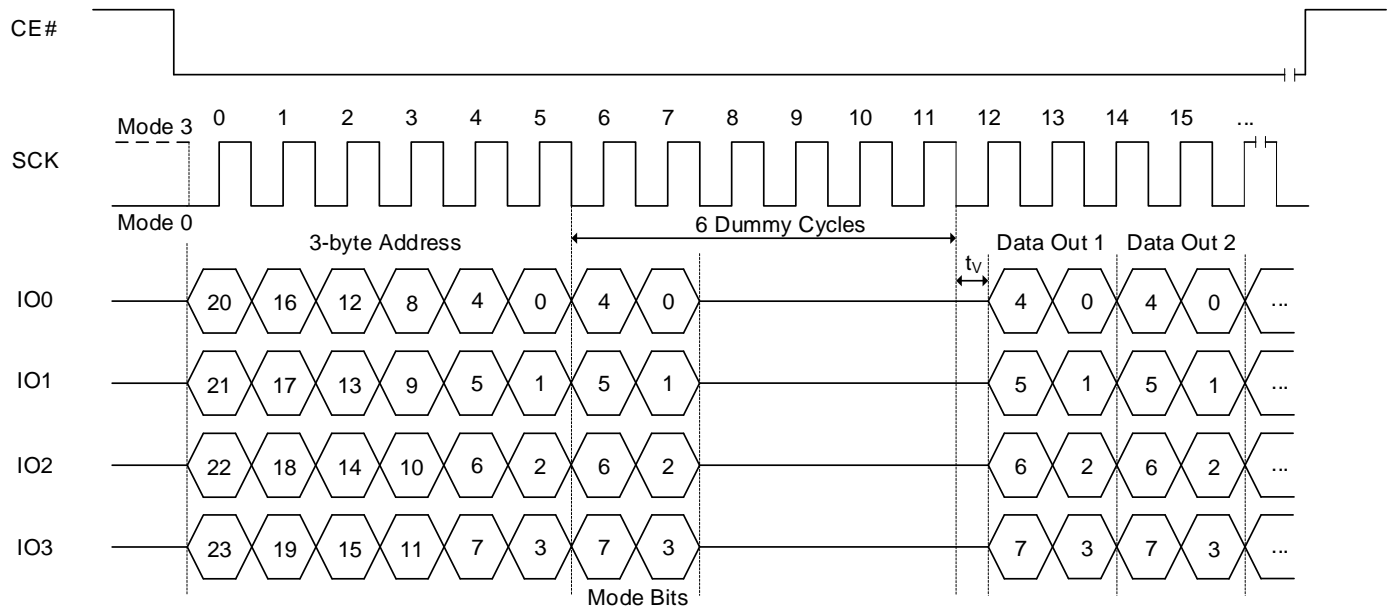
Figure 8.8 Fast Read Quad I/O Sequence (with command decode cycles)



**Notes:**

1. If the mode bits=AXh (where X is don't care), it can execute the AX read mode (without command). When the mode bits are different from AXh, the device exits the AX read operation.
2. Number of dummy cycles depends on clock speed. Detailed information in Table 6.11 Read Dummy Cycles.
3. Sufficient dummy cycles are required to avoid I/O contention. If the number of dummy cycles and AX bit cycles are same, then X should be Hi-Z.

Figure 8.9 Fast Read Quad I/O AX Read Sequence (without command decode cycles)



**Notes:**

1. If the mode bits=AXh (where X is don't care), it will keep executing the AX read mode (without command). When the mode bits are different from AXh, the device exits the AX read operation.
2. Number of dummy cycles depends on clock speed. Detailed information in Table 6.11 Read Dummy Cycles.
3. Sufficient dummy cycles are required to avoid I/O contention. If the number of dummy cycles and AX bit cycles are same, then X should be Hi-Z.

**FAST READ QUAD I/O QPI OPERATION (FRQIO QPI, EBh)**

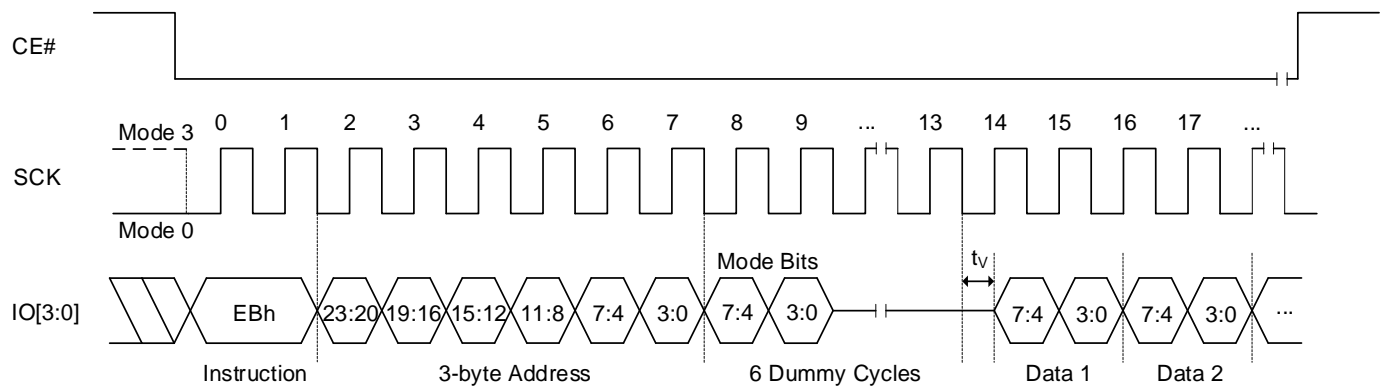
The FRQIO QPI instruction is used to read memory data at up to a 133MHz clock.

The FRQIO QPI instruction utilizes all four IO lines to input the instruction code so that only two clocks are required, while the FRQIO instruction requires that the byte-long instruction code is shifted into the device only via IO0 line in eight clocks. As a result, 6 command cycles will be reduced by the FRQIO QPI instruction. In addition, subsequent address and data out are shifted in/out via all four IO lines like the FRQIO instruction. In fact, except for the command cycle, the FRQIO QPI operation is exactly same as the FRQIO.

The device supports the AX read operation by applying mode bits during dummy period. Mode bits consist of 8 bits, such as M7 to M0. Two cycles after address input are reserved for Mode bits in FRQIO execution. M7 to M4 are important for enabling this mode. M3 to M0 become don't care for future use. When M[7:4]=1010(Ah), it enables the AX read operation and subsequent FRQIO execution skips command code. It saves cycles as described in Figure 8.9. When the code is different from AXh (where X is don't care), the device exits the AX read operation. After finishing the read operation, device becomes ready to receive a new command. SPI or QPI mode configuration retains the prior setting. Mode bit must be applied during dummy cycles. Number of dummy cycles in Table 6.11 includes number of mode bit cycles. If dummy cycles are configured as 6 cycles, data output will start right after mode bits and 4 additional dummy cycles are applied.

If the FRQIO QPI instruction is issued while an Erase, Program or Write cycle is in process (WIP=1) the instruction is ignored and will not have any effects on the current cycle.

**Figure 8.10 Fast Read Quad I/O QPI Sequence**



**Note:** Number of dummy cycles depends on Read Parameter setting. Detailed information in Table 6.11 Read Dummy Cycles.

### **8.8 PAGE PROGRAM OPERATION (PP, 02h)**

The Page Program (PP) instruction allows up to 256 bytes data to be programmed into memory in a single operation. The destination of the memory to be programmed must be outside the protected memory area set by the Block Protection (BP3, BP2, BP1, BP0) bits. A PP instruction which attempts to program into a page that is write-protected will be ignored. Before the execution of PP instruction, the Write Enable Latch (WEL) must be enabled through a Write Enable (WREN) instruction.

The PP instruction code, three address bytes and program data (1 to 256 bytes) are input via the SI line. Program operation will start immediately after the CE# is brought high, otherwise the PP instruction will not be executed. The internal control logic automatically handles the programming voltages and timing. During a program operation, all instructions will be ignored except the RDSR instruction. The progress or completion of the program operation can be determined by reading the WIP bit in Status Register via a RDSR instruction. If the WIP bit is "1", the program operation is still in progress. If WIP bit is "0", the program operation has completed.

If more than 256 bytes data are sent to a device, the address counter rolls over within the same page, the previously latched data are discarded, and the last 256 bytes are kept to be programmed into the page. The starting byte can be anywhere within the page. When the end of the page is reached, the address will wrap around to the beginning of the same page. If the data to be programmed are less than a full page, the data of all other bytes on the same page will remain unchanged.

**Note: A program operation can alter "1"s into "0"s, but an erase operation is required to change "0"s back to "1"s. A byte cannot be reprogrammed without first erasing the whole sector or block.**



Figure 8.11 Page Program Sequence

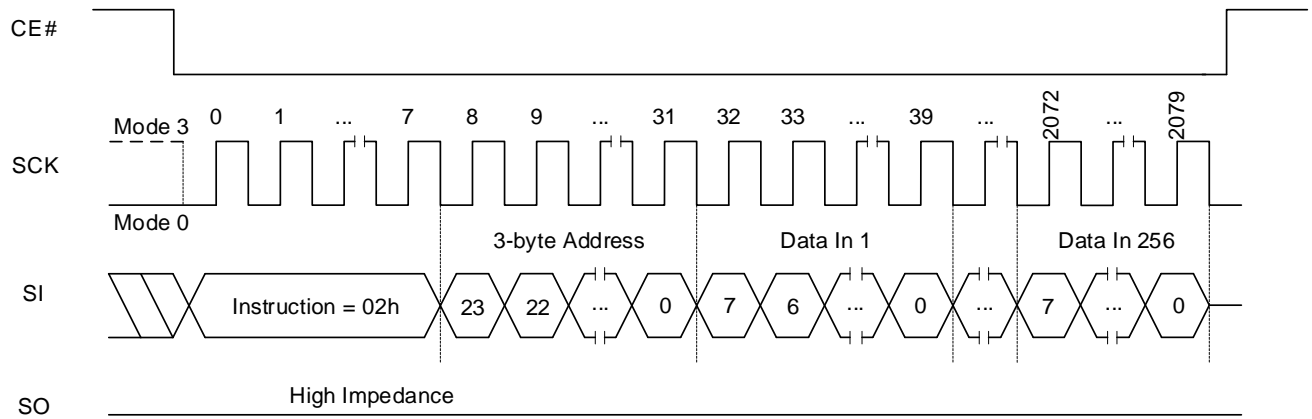
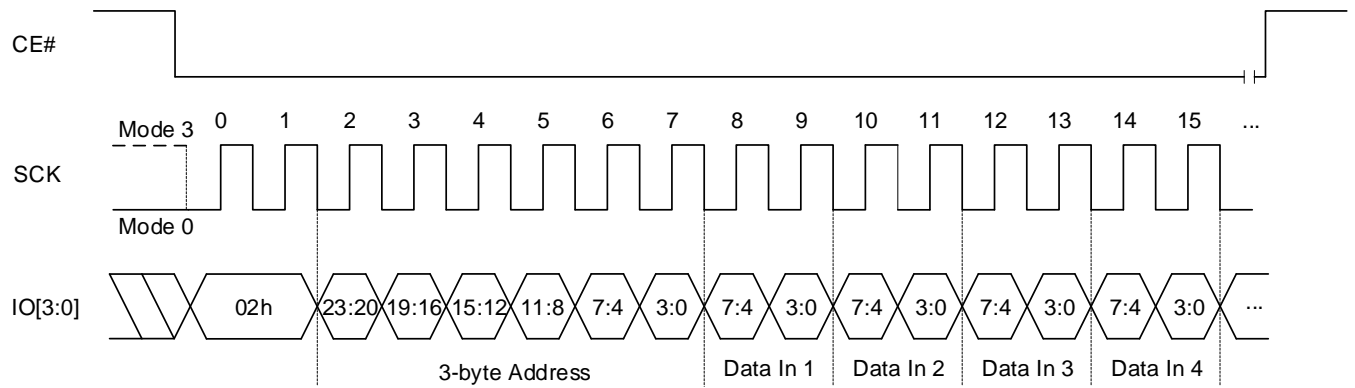


Figure 8.12 Page Program QPI Sequence



### 8.9 QUAD INPUT PAGE PROGRAM OPERATION (PPQ, 32h/38h)

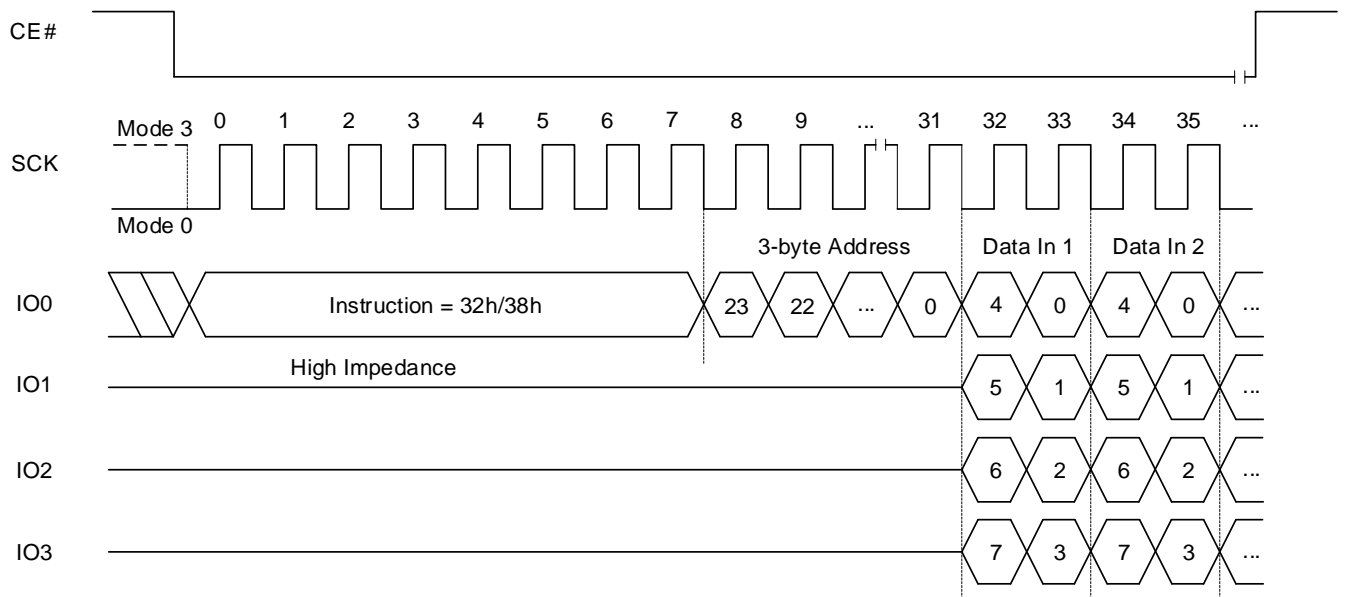
The Quad Input Page Program instruction allows up to 256 bytes data to be programmed into memory in a single operation with four pins (IO0, IO1, IO2 and IO3). The destination of the memory to be programmed must be outside the protected memory area set by the Block Protection (BP3, BP2, BP1, BP0) bits. A Quad Input Page Program instruction which attempts to program into a page that is write-protected will be ignored. Before the execution of Quad Input Page Program instruction, the QE bit in the Status Register must be set to “1” and the Write Enable Latch (WEL) must be enabled through a Write Enable (WREN) instruction.

The Quad Input Page Program instruction code, three address bytes and program data (1 to 256 bytes) are input via the four pins (IO0, IO1, IO2 and IO3). Program operation will start immediately after the CE# is brought high, otherwise the Quad Input Page Program instruction will not be executed. The internal control logic automatically handles the programming voltages and timing. During a program operation, all instructions will be ignored except the RDSR instruction. The progress or completion of the program operation can be determined by reading the WIP bit in Status Register via a RDSR instruction. If the WIP bit is “1”, the program operation is still in progress. If WIP bit is “0”, the program operation has completed.

If more than 256 bytes data are sent to a device, the address counter rolls over within the same page, the previously latched data are discarded, and the last 256 bytes data are kept to be programmed into the page. The starting byte can be anywhere within the page. When the end of the page is reached, the address will wrap around to the beginning of the same page. If the data to be programmed are less than a full page, the data of all other bytes on the same page will remain unchanged.

**Note: A program operation can alter “1”s into “0”s, but an erase operation is required to change “0”s back to “1”s. A byte cannot be reprogrammed without first erasing the whole sector or block.**

Figure 8.13 Quad Input Page Program Sequence



## **8.10 ERASE OPERATION**

The memory array of the device is organized into uniform 4 Kbyte sectors or 32/64 Kbyte uniform blocks (a block consists of eight/sixteen adjacent sectors respectively).

Before a byte is reprogrammed, the sector or block that contains the byte must be erased (erasing sets bits to "1"). In order to erase the device, there are three erase instructions available: Sector Erase (SER), Block Erase (BER) and Chip Erase (CER). A sector erase operation allows any individual sector to be erased without affecting the data in other sectors. A block erase operation erases any individual block. A chip erase operation erases the whole memory array of a device. A sector erase, block erase, or chip erase operation can be executed prior to any programming operation.

### 8.11 SECTOR ERASE OPERATION (SER, D7h/20h)

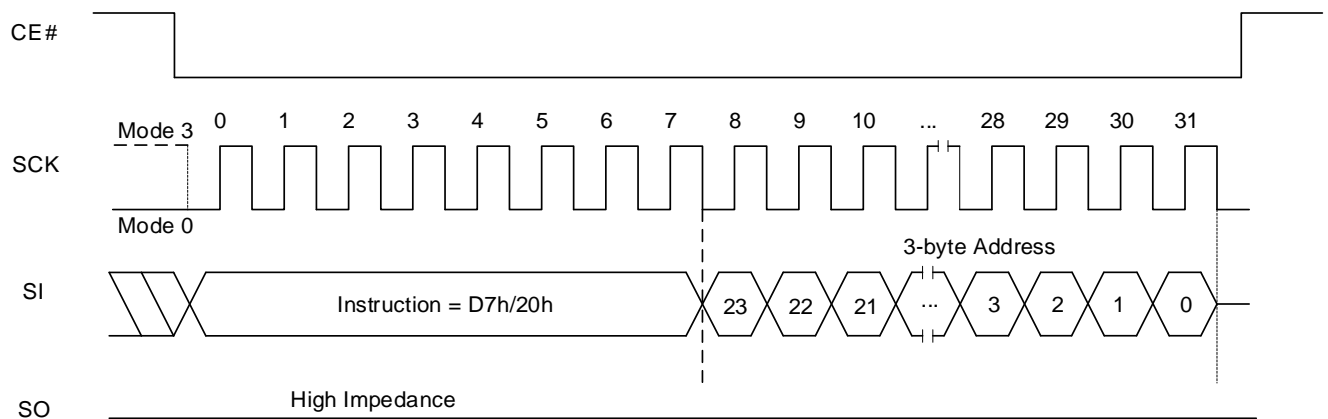
A Sector Erase (SER) instruction erases a 4 Kbyte sector before the execution of a SER instruction, the Write Enable Latch (WEL) must be set via a Write Enable (WREN) instruction. The WEL bit is automatically reset after the completion of Sector Erase operation.

A SER instruction is entered, after CE# is pulled low to select the device and stays low during the entire instruction sequence. The SER instruction code, and three address bytes are input via SI. Erase operation will start immediately after CE# is pulled high. The internal control logic automatically handles the erase voltage and timing.

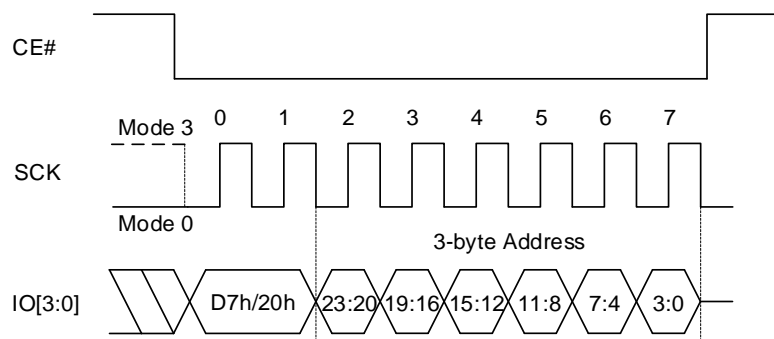
During an erase operation, all instruction will be ignored except the Read Status Register (RDSR) instruction. The progress or completion of the erase operation can be determined by reading the WIP bit in the Status Register using a RDSR instruction.

If the WIP bit is "1", the erase operation is still in progress. If the WIP bit is "0", the erase operation has been completed.

**Figure 8.14 Sector Erase Sequence**



**Figure 8.15 Sector Erase QPI Sequence**

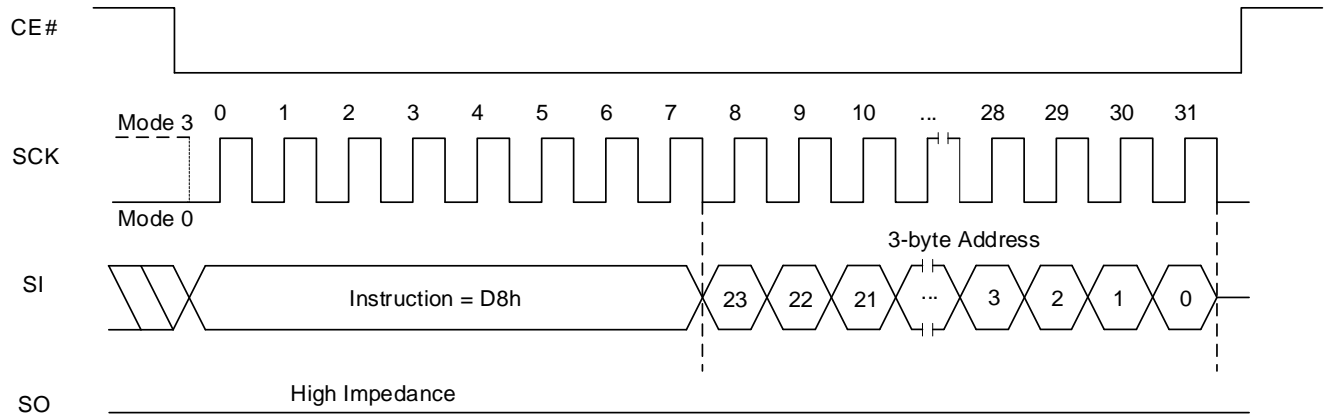


### 8.12 BLOCK ERASE OPERATION (BER32K:52h, BER64K:D8h)

A Block Erase (BER) instruction erases a 32/64Kbyte block. Before the execution of a BER instruction, the Write Enable Latch (WEL) must be set via a Write Enable (WREN) instruction. The WEL is reset automatically after the completion of a block erase operation.

The BER instruction code and three address bytes are input via SI. Erase operation will start immediately after the CE# is pulled high, otherwise the BER instruction will not be executed. The internal control logic automatically handles the erase voltage and timing.

**Figure 8.16 Block Erase (64K) Sequence**



**Figure 8.17 Block Erase (64K) QPI Sequence**

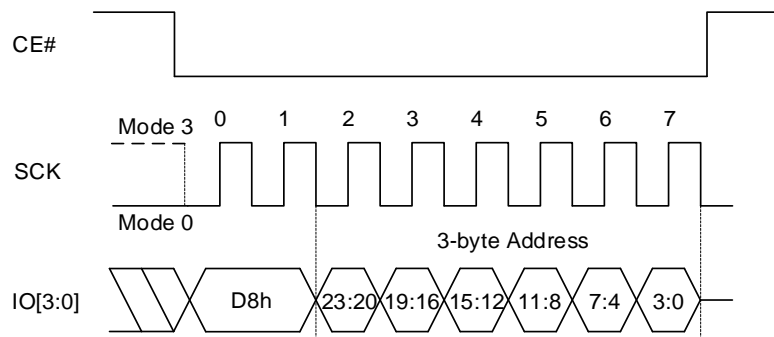


Figure 8.18 Block Erase (32K) Sequence

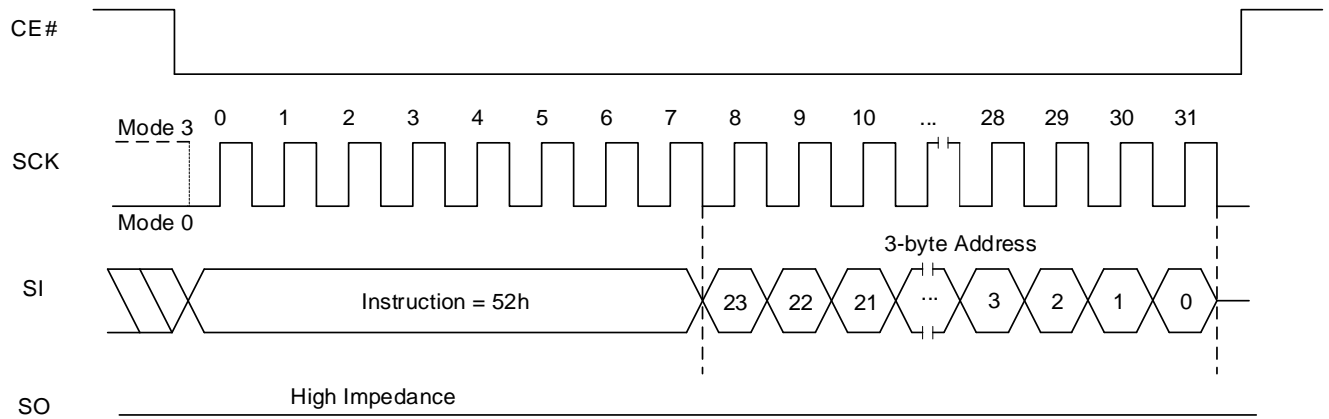
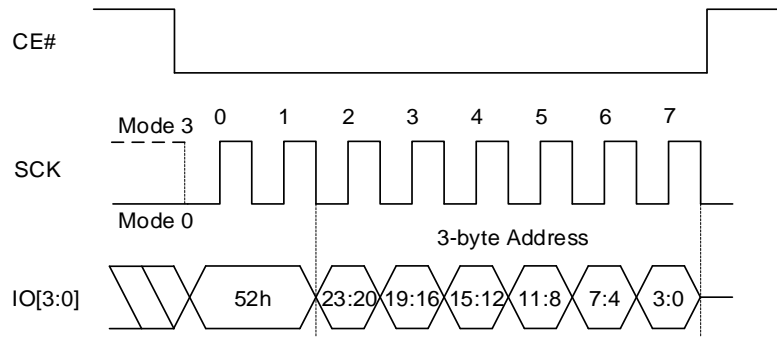


Figure 8.19 Block Erase (32K) QPI Sequence

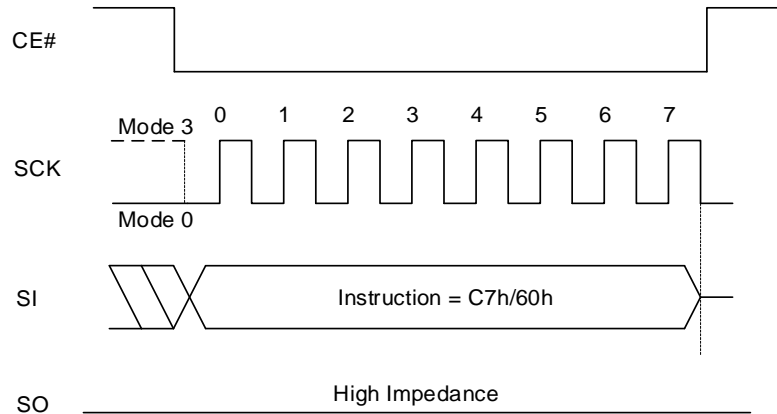


### 8.13 CHIP ERASE OPERATION (CER, C7h/60h)

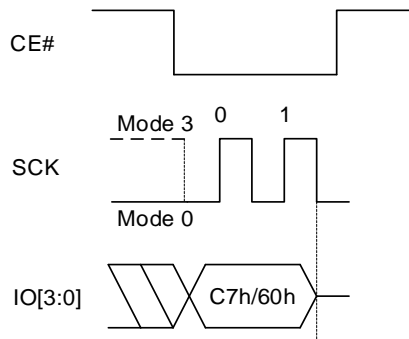
A Chip Erase (CER) instruction erases the entire memory array. Before the execution of CER instruction, the Write Enable Latch (WEL) must be set via a Write Enable (WREN) instruction. The WEL is automatically reset after completion of a chip erase operation.

The CER instruction code is input via the SI. Erase operation will start immediately after CE# is pulled high, otherwise the CER instruction will not be executed. The internal control logic automatically handles the erase voltage and timing.

**Figure 8.20 Chip Erase Sequence**

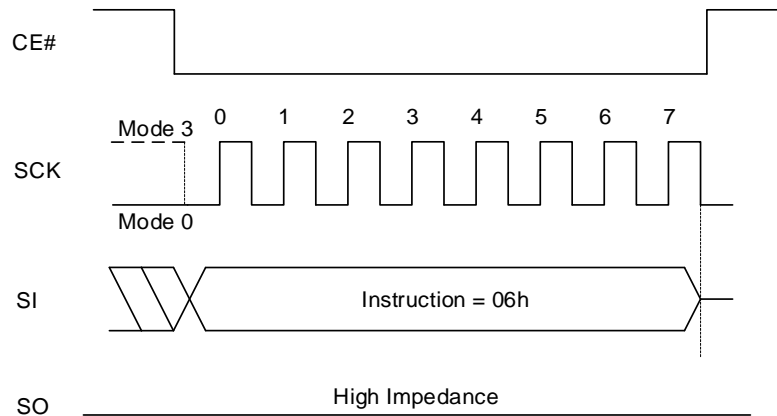
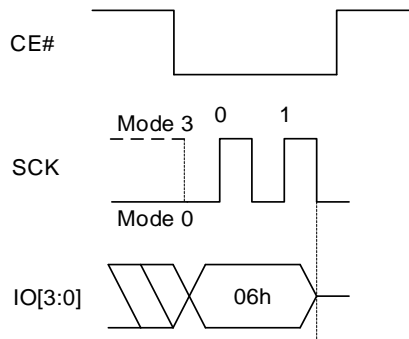


**Figure 8.21 Chip Erase QPI Sequence**



**8.14 WRITE ENABLE OPERATION (WREN, 06h)**

The Write Enable (WREN) instruction is used to set the Write Enable Latch (WEL) bit. The WEL bit is reset to the write-protected state after power-up. The WEL bit must be write enabled before any write operation, including Sector Erase, Block Erase, Chip Erase, Page Program, Program Information Row, Write Status Register, Write Function Register, Set non-volatile Read Register, Set non-volatile Extended Read Register, and Write Autboot Register operations except for Set volatile Read Register and Set volatile Extended Read Register. The WEL bit will be reset to the write-protected state automatically upon completion of a write operation. The WREN instruction is required before any above operation is executed.

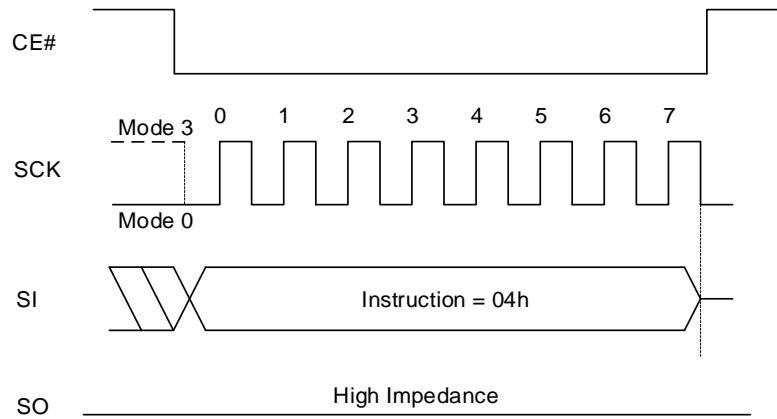
**Figure 8.22 Write Enable Sequence**

**Figure 8.23 Write Enable QPI Sequence**




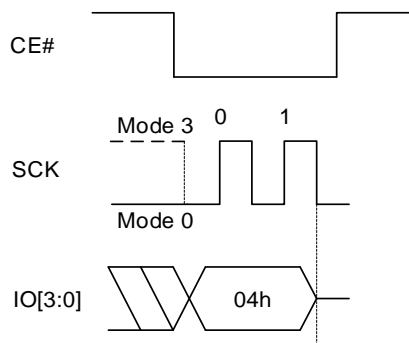
**8.15 WRITE DISABLE OPERATION (WRDI, 04h)**

The Write Disable (WRDI) instruction resets the WEL bit and disables all write instructions. The WRDI instruction is not required after the execution of a write instruction, since the WEL bit is automatically reset.

**Figure 8.24 Write Disable Sequence**



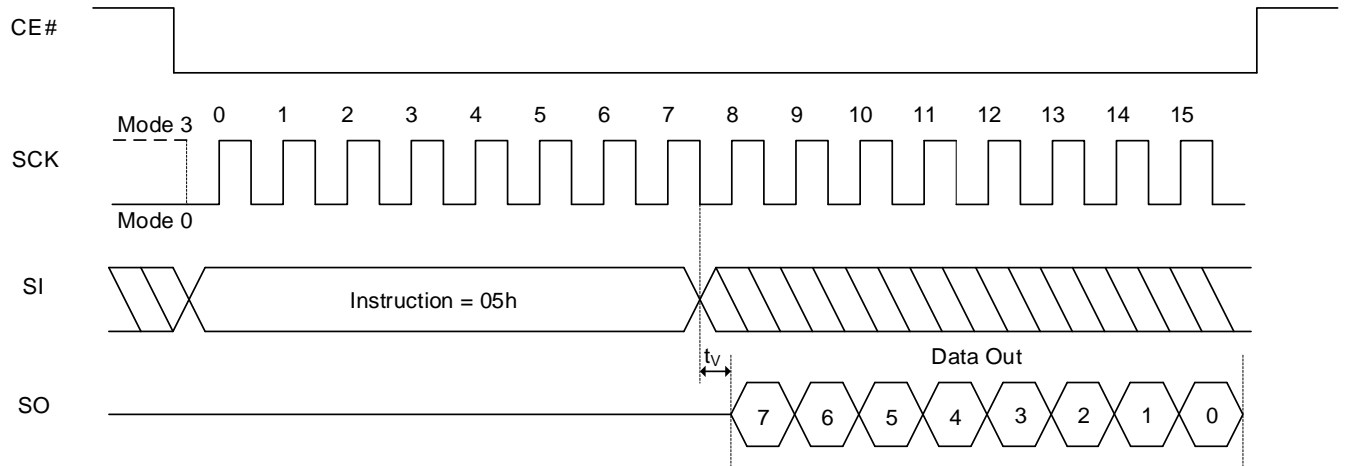
**Figure 8.25 Write Disable QPI Sequence**



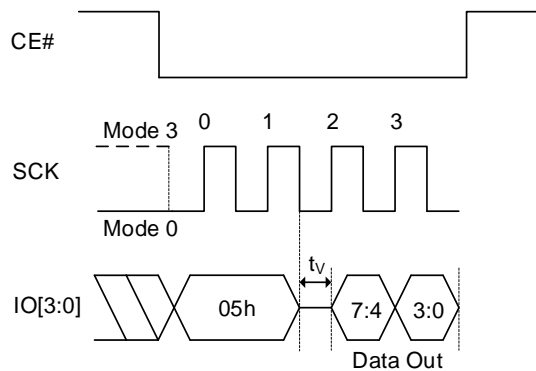
### 8.16 READ STATUS REGISTER OPERATION (RDSR, 05h)

The Read Status Register (RDSR) instruction provides access to the Status Register. During the execution of a program, erase or write Status Register operation, all other instructions will be ignored except the RDSR instruction, which can be used to check the progress or completion of an operation by reading the WIP bit of Status Register.

**Figure 8.26 Read Status Register Sequence**



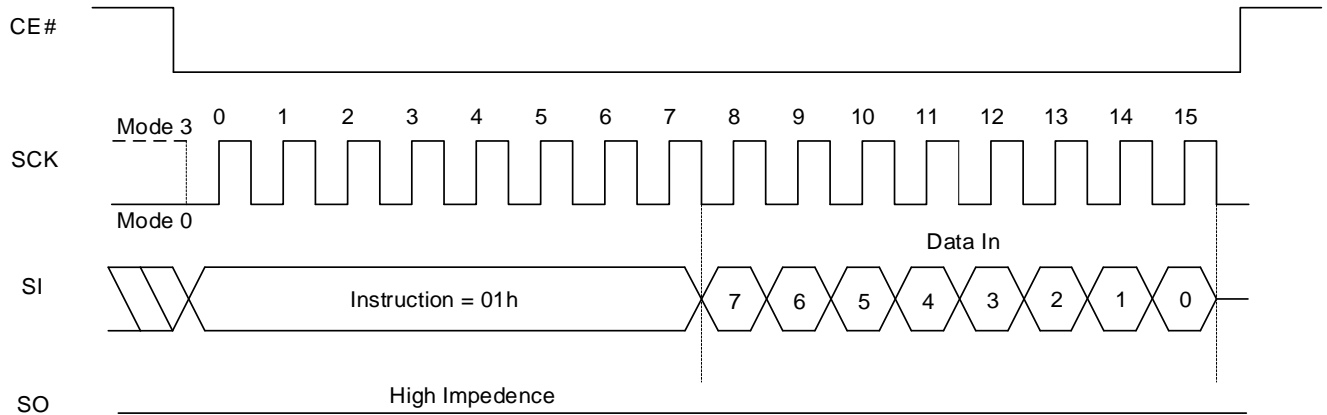
**Figure 8.27 Read Status Register QPI Sequence**



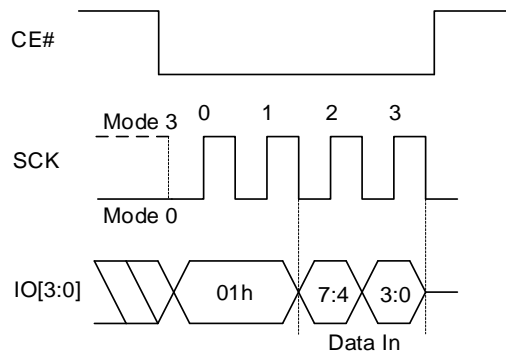
### 8.17 WRITE STATUS REGISTER OPERATION (WRSR, 01h)

The Write Status Register (WRSR) instruction allows the user to enable or disable the block protection and Status Register write protection features by writing “0”s or “1”s into the non-volatile BP3, BP2, BP1, BP0, and SRWD bits. Also WRSR instruction allows the user to disable or enable quad operation by writing “0” or “1” into the non-volatile QE bit.

**Figure 8.28 Write Status Register Sequence**



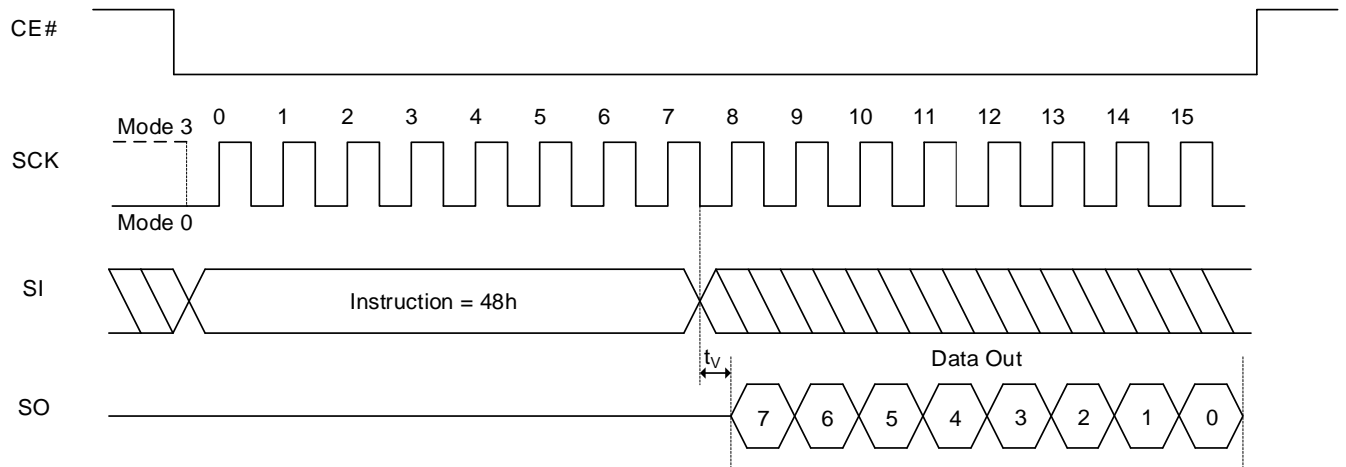
**Figure 8.29 Write Status Register QPI Sequence**



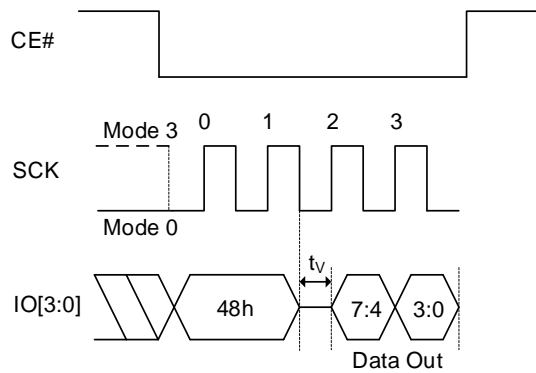
### 8.18 READ FUNCTION REGISTER OPERATION (RDFR, 48h)

The Read Function Register (RDFR) instruction provides access to the Function Register. Refer to Table 6.6 Function Register Bit Definition for more detail.

**Figure 8.30 Read Function Register Sequence**



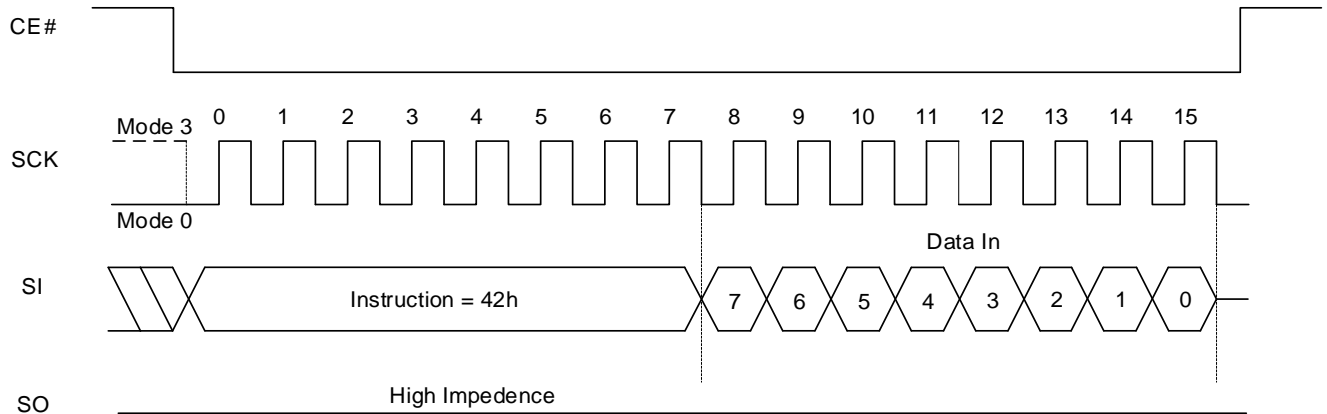
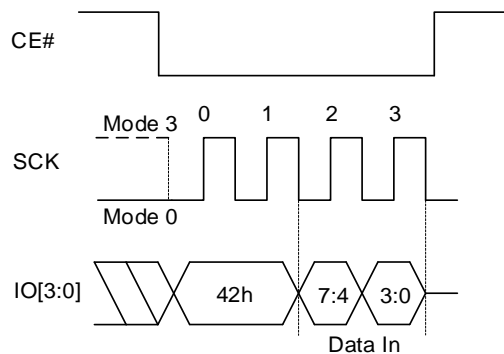
**Figure 8.31 Read Function Register QPI Sequence**



**8.19 WRITE FUNCTION REGISTER OPERATION (WRFR, 42h)**

The Write Function Register (WRFR) instruction allows the user to disable dedicated RESET# pin on 16-pin SOIC and 24-ball TFBGA packages by setting RESET# Enable/Disable bit to “1” in the case that the default value of the bit is “0”

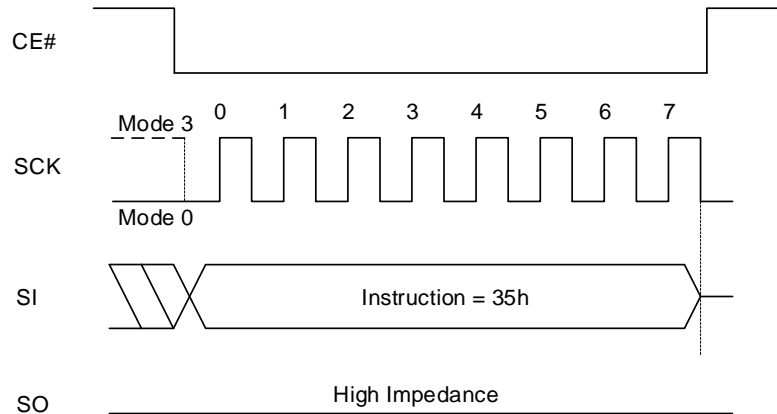
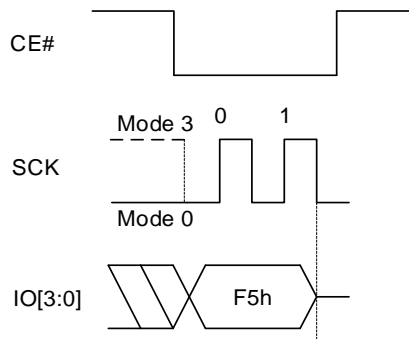
Also Information Row Lock bits (IRL3~IRL0) can be set to “1” individually by WRFR instruction in order to lock Information Row. Since RESER# Enable/Disable bit and IRL bits are OTP, once it is set to “1”, it cannot be set back to “0” again.

**Figure 8.32 Write Function Register Sequence**

**Figure 8.33 Write Function Register QPI Sequence**


**8.20 ENTER QUAD PERIPHERAL INTERFACE (QPI) MODE OPERATION (QPIEN, 35h; QPIDI, F5h)**

The Enter Quad Peripheral Interface (QPIEN) instruction, 35h, enables the Flash device for QPI mode operation. Upon completion of the instruction, all instructions thereafter will be 4-bit multiplexed input/output until a power cycle or an Exit Quad Peripheral Interface (QPIDI) instruction is sent to device.

The Exit Quad Peripheral Interface (QPIDI) instruction, F5h, resets the device to 1-bit SPI protocol operation. To execute a QPIDI instruction, the host drives CE# low, sends the QPIDI command cycle, then drives CE# high. The device just accepts QPI (2 clocks) command cycles.

**Figure 8.34 Enter Quad Peripheral Interface (QPI) Mode Sequence**

**Figure 8.35 Exit Quad Peripheral Interface (QPI) Mode Sequence**


## **8.21 PROGRAM/ERASE SUSPEND & RESUME**

The device allows the interruption of Sector Erase, Block Erase, or Page Program operations to conduct other operations. 75h/B0h command for suspend and 7Ah/30h for resume will be used. (SPI/QPI all acceptable) Function Register bit2 (PSUS) and bit3 (ESUS) are used to check whether or not the device is in suspend mode.

Suspend to read ready timing: 100 $\mu$ s

Resume to another suspend timing: 400 $\mu$ s

### **PROGRAM/ERASE SUSPEND DURING SECTOR-ERASE OR BLOCK-ERASE (PERSUS 75h/B0h)**

The Program/Erase Suspend allows the interruption of Sector Erase and Block Erase operations. After the Program/Erase Suspend, WEL bit will be disabled, therefore only read related, resume and reset commands can be accepted. Refer to Table 8.4 for more detail.

To execute the Program/Erase Suspend operation, the host drives CE# low, sends the Program/Erase Suspend command cycle (75h/B0h), then drives CE# high. The Function Register indicates that the erase has been suspended by changing the ESUS bit from “0” to “1”, but the device will not accept another command until it is ready. To determine when the device will accept a new command, poll the WIP bit in the Status Register or wait the specified time  $t_{SUS}$ . When ESUS bit is issued, the Write Enable Latch (WEL) bit will be reset.

### **PROGRAM/ERASE SUSPEND DURING PAGE PROGRAMMING (PERSUS 75h/B0h)**

The Program/Erase Suspend allows the interruption of an array program operation. After the Program/Erase Suspend command, WEL bit will be disabled, therefore only read related, resume and reset command can be accepted. Refer to Table 8.4 for more detail.

To execute the Program/Erase Suspend operation, the host drives CE# low, sends the Program/Erase Suspend command cycle (75h/B0h), then drives CE# high. The Function Register indicates that the programming has been suspended by changing the PSUS bit from “0” to “1”, but the device will not accept another command until it is ready. To determine when the device will accept a new command, poll the WIP bit in the Status Register or wait the specified time  $t_{SUS}$ .

### **PROGRAM/ERASE RESUME (PERRSM 7Ah/30h)**

The Program/Erase Resume restarts the Program or Erase command that was suspended, and changes the suspend status bit in the Function Register (ESUS or PSUS bits) back to “0”. To execute the Program/Erase Resume operation, the host drives CE# low, sends the Program/Erase Resume command cycle (7Ah/30h), then drives CE# high. A cycle is two nibbles long, most significant nibble first. To determine if the internal, self-timed Write operation completed, poll the WIP bit in the Status Register, or wait the specified time  $t_{SE}$ ,  $t_{BE}$  or  $t_{PP}$  for Sector Erase, Block Erase, or Page Programming, respectively. The total write time before suspend and after resume will not exceed the uninterrupted write times  $t_{SE}$ ,  $t_{BE}$  or  $t_{PP}$ .

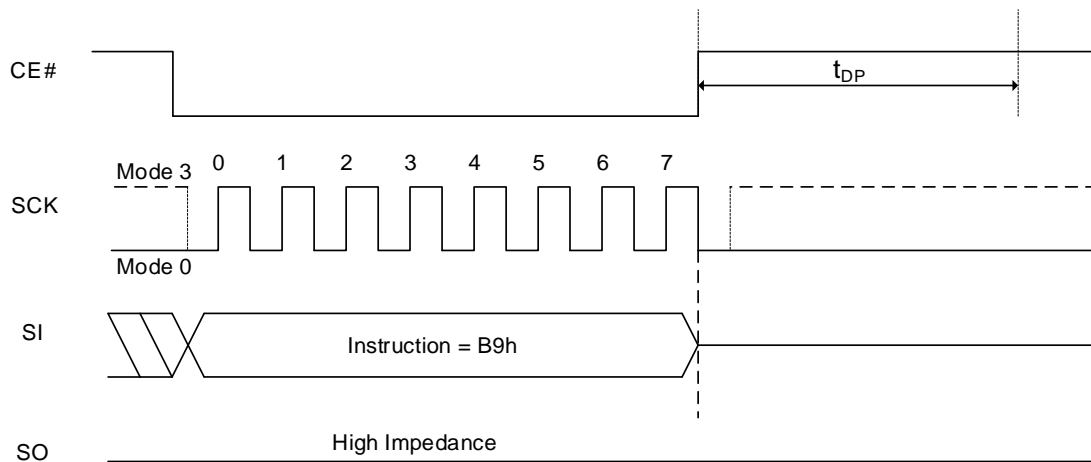
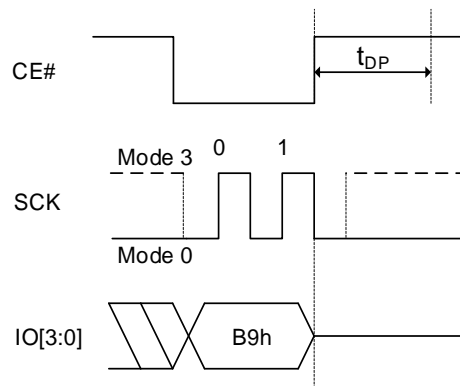
**Table 8.4 Instructions accepted during Suspend**

| Operation Suspended | Instruction Allowed |          |                                                      |
|---------------------|---------------------|----------|------------------------------------------------------|
|                     | Name                | Hex Code | Operation                                            |
| Program or Erase    | NORD                | 03h      | Read Data Bytes from Memory at Normal Read Mode      |
| Program or Erase    | FRD                 | 0Bh      | Read Data Bytes from Memory at Fast Read Mode        |
| Program or Erase    | FRDIO               | BBh      | Fast Read Dual I/O                                   |
| Program or Erase    | FRDO                | 3Bh      | Fast Read Dual Output                                |
| Program or Erase    | FRQIO               | EBh      | Fast Read Quad I/O                                   |
| Program or Erase    | FRQO                | 6Bh      | Fast Read Quad Output                                |
| Program or Erase    | FRDTR               | 0Dh      | Fast Read DTR Mode                                   |
| Program or Erase    | FRDDTR              | BDh      | Fast Read Dual I/O DTR                               |
| Program or Erase    | FRQDTR              | EDh      | Fast Read Quad I/O DTR                               |
| Program or Erase    | RDSR                | 05h      | Read Status Register                                 |
| Program or Erase    | RDFR                | 48h      | Read Function Register                               |
| Program or Erase    | PERRSM              | 7Ah/30h  | Resume program/erase                                 |
| Program or Erase    | RDID                | ABh      | Read Manufacturer and Product ID                     |
| Program or Erase    | SRPV                | C0/63h   | Set Read Parameters (Volatile)                       |
| Program or Erase    | SERPv               | 83h      | Set Extended Read Parameters (Volatile)              |
| Program or Erase    | RDRPNV              | 61h      | Read Read Parameters (Non-Volatile)                  |
| Program or Erase    | RDERPNV             | 81h      | Read Extended Read Parameters (Non-Volatile)         |
| Program or Erase    | RDJDID              | 9Fh      | Read Manufacturer and Product ID by JEDEC ID Command |
| Program or Erase    | RDMDID              | 90h      | Read Manufacturer and Device ID                      |
| Program or Erase    | RDJDIDQ             | AFh      | Read JEDEC ID QPI mode                               |
| Program or Erase    | RDUID               | 4Bh      | Read Unique ID Number                                |
| Program or Erase    | RDSFDP              | 5Ah      | SFDP Read                                            |
| Program or Erase    | NOP                 | 00h      | No Operation                                         |
| Program or Erase    | RSTEN               | 66h      | Software reset enable                                |
| Program or Erase    | RST                 | 99h      | Reset (Only along with 66h)                          |
| Program or Erase    | IRRD                | 68h      | Read Information Row                                 |
| Program or Erase    | RDABR               | 14h      | Read AutoBoot Register                               |



**8.22 ENTER DEEP POWER DOWN (DP, B9h)**

The Deep Power-down (DP) instruction is for setting the device on the minimizing the power consumption (enter into Power-down mode). During this mode, standby current is reduced from  $I_{sb1}$  to  $I_{sb2}$ . While in the Power-down mode, the device is not active and all Write/Program/Erase instructions are ignored. The instruction is initiated by driving the CE# pin low and shifting the instruction code into the device. The CE# pin must be driven high after the instruction has been latched, or Power-down mode will not engage. Once CE# pin driven high, the Power-down mode will be entered within the time duration of  $t_{DP}$ . While in the Power-down mode only the Release from Power-down/RDID instruction, which restores the device to normal operation, will be recognized. All other instructions are ignored, including the Read Status Register instruction which is always available during normal operation. Ignoring all but one instruction makes the Power Down state a useful condition for securing maximum write protection. It is available in both SPI and QPI mode.

**Figure 8.36 Enter Deep Power Down Mode Operation**

**Figure 8.37 Enter Deep Power Down Mode QPI Operation**


### 8.23 RELEASE DEEP POWER DOWN (RDPD, ABh)

The Release Deep Power-down/Read Device ID instruction is a multi-purpose command. To release the device from the Power-down mode, the instruction is issued by driving the CE# pin low, shifting the instruction code “ABh” and driving CE# high.

Releasing the device from Power-down mode will take the time duration of  $t_{RES1}$  before normal operation is restored and other instructions are accepted. The CE# pin must remain high during the  $t_{RES1}$  time duration. If the Release Deep Power-down/RDID instruction is issued while an Erase, Program or Write cycle is in progress (WIP=1) the instruction is ignored and will not have any effects on the current cycle.

Figure 8.38 Release Deep Power Down Mode Operation

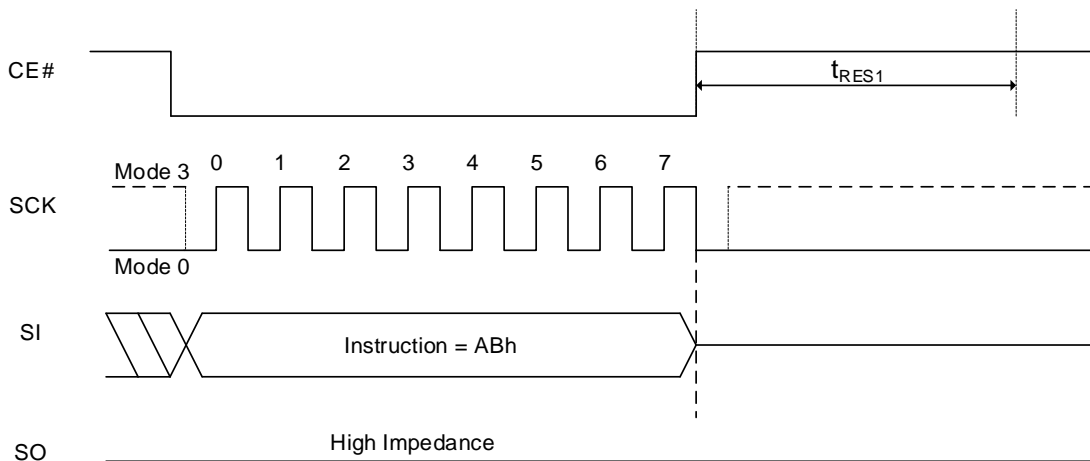
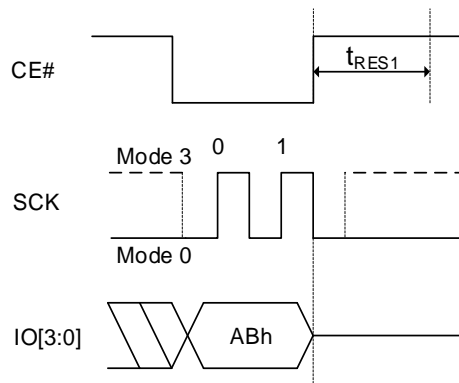


Figure 8.39 Release Deep Power Down Mode QPI Operation

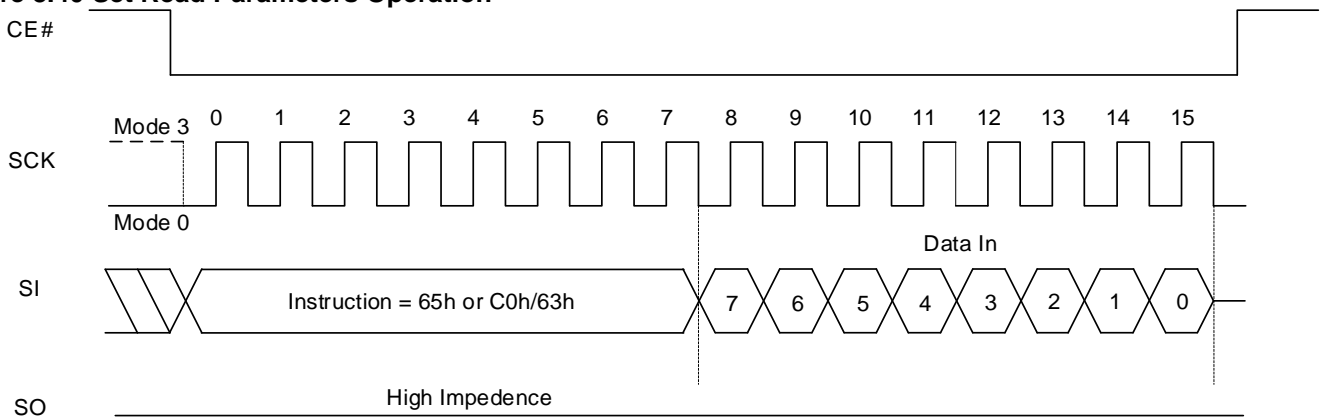
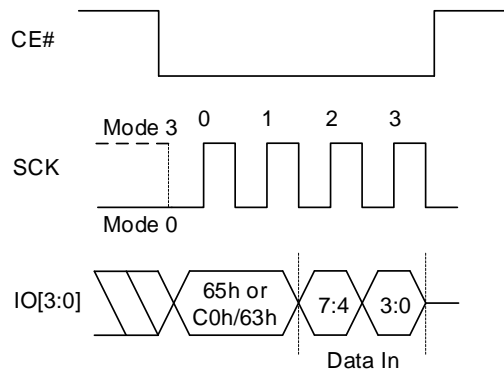


**8.24 SET READ PARAMETERS OPERATION (SRPNV: 65h, SRPV: C0h/63h)**
**Set Read Parameter Bits**

This device supports configurable burst length and dummy cycles in both SPI and QPI mode by setting three bits (P2, P1, P0) and four bits (P6, P5, P4, P3) within the Read Register, respectively. To set those bits the SRPNV and SRPV operation instruction are used. Details regarding burst length and dummy cycles can be found in Table 6.9, Table 6.10, and Table 6.11. HOLD#/RESET# pin selection (P7) bit in the Read Register can be set with the SRPNV and SRPV operation as well, in order to select RESET# pin instead of HOLD# pin. For 16-pin SOIC or 24-ball TFBGA packages, dedicated RESET# pin (or ball) can be added as a separate pin (or ball) and it is independent of the P7 bit setting in Read Register.

SRPNV is used to set the non-volatile Read register, while SRPV is used to set the volatile Read register.

**Note: When SRPNV is executed, the volatile Read Register is set as well as the non-volatile Read Register.**

**Figure 8.40 Set Read Parameters Operation**

**Figure 8.41 Set Read Parameters QPI Operation**


**Read with “8/16/32/64-Byte Wrap Around”**

The device is capable of burst read with wrap around in both SPI and QPI mode. The size of burst length is configurable by using P0, P1, and P2 bits in Read Register. P2 bit (Wrap enable) enables the burst mode feature. P0 and P1 define the size of burst. Burst lengths of 8, 16, 32, and 64 bytes are supported. By default, address increases by one up through the entire array. By setting the burst length, the data being accessed can be limited to the length of burst boundary within a 256 byte page. The first output will be the data at the initial address which is specified in the instruction. Following data will come out from the next address within the burst boundary. Once the address reaches the end of boundary, it will automatically move to the first address of the boundary. CE# high will terminate the command.

For example, if burst length of 8 and initial address being applied is 0h, following byte output will be from address 00h and continue to 01h,...,07h, 00h, 01h... until CE# terminates the operation. If burst length of 8 and initial address being applied is FEh(254d), following byte output will be from address FEh and continue to FFh, F8h, F9h, FAh, FBh, FCh, FDh, and repeat from FEh until CE# terminates the operation.

The commands, “SRPV (65h) or SRPNV (C0h or 63h)”, are used to configure the burst length. If the following data input is one of “00h,”01h,”02h”, and ”03h”, the device will be in default operation mode. It will be continuous burst read of the whole array. If the following data input is one of “04h,”05h,”06h”, and ”07h”, the device will set the burst length as 8,16,32 and 64, respectively.

To exit the burst mode, another “C0h or 63h” command is necessary to set P2 to 0. Otherwise, the burst mode will be retained until either power down or reset operation. To change burst length, another “C0h or 63h” command should be executed to set P0 and P1 (Detailed information in Table 6.9 Burst Length Data). All read commands will operate in burst mode once the Read Register is set to enable burst mode.

Refer to Figure 8.40 and Figure 8.41 for instruction sequence.

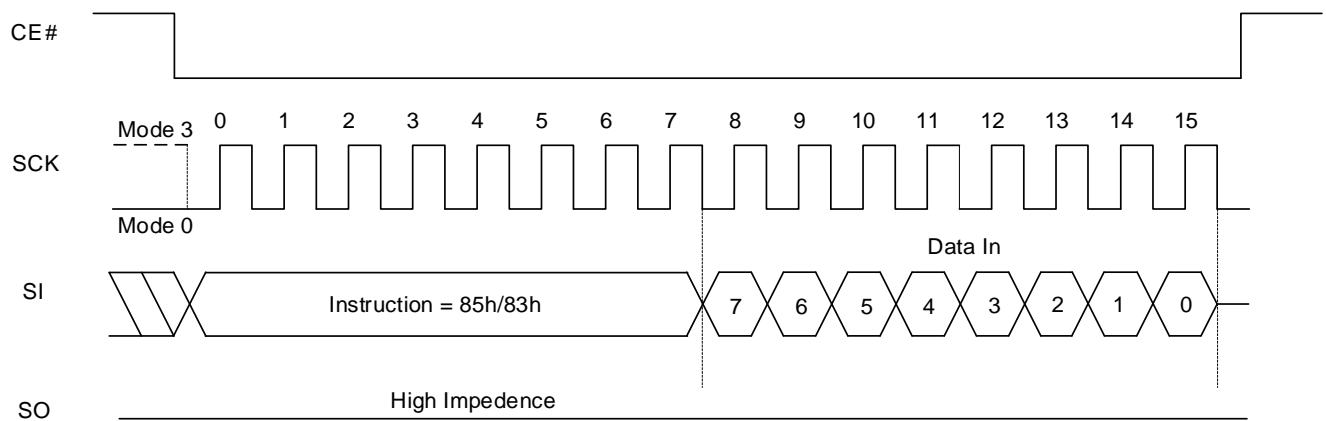
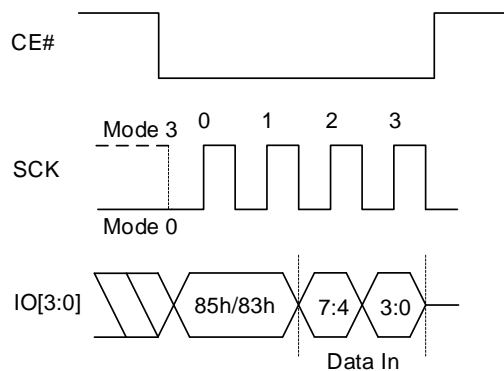
**8.25 SET EXTENDED READ PARAMETERS OPERATION (SERPNV: 85h, SERPV: 83h)**
**Set Read Operational Driver Strength**

This device supports configurable Operational Driver Strength in both SPI and QPI modes by setting three bits (ODS0, ODS1, ODS2) within the Extended Read Register. To set the ODS bits the SERPNV and SERPV operation instructions are required. The device's driver strength can be reduced as low as 12.50% of full drive strength. Details regarding the driver strength can be found in Table 6.14.

SERPNV is used to set the non-volatile Extended Read register, while SERPV is used to set the volatile Extended Read register.

**Notes:**

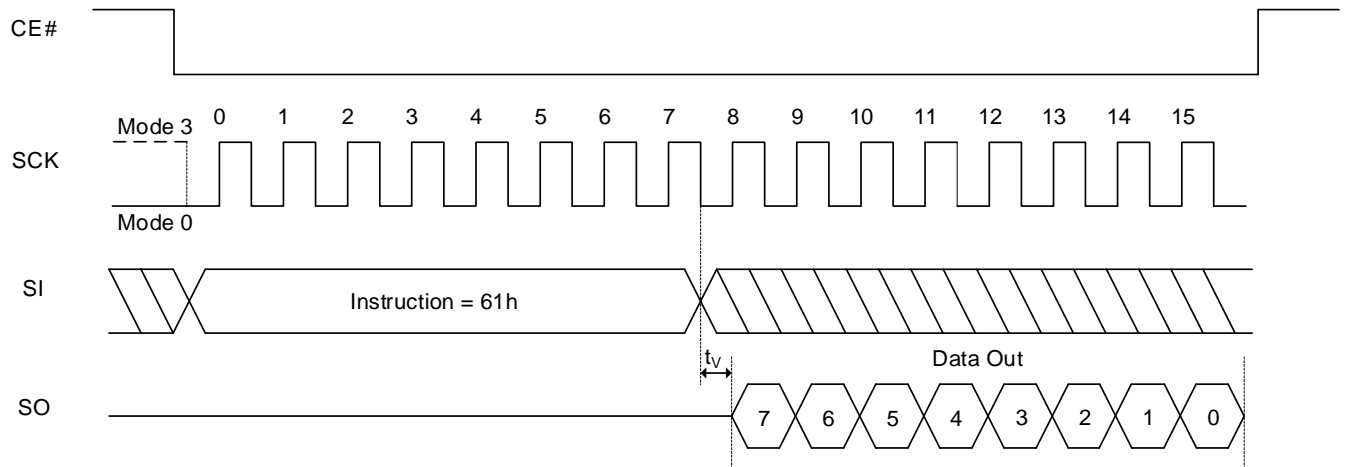
1. The default driver strength is set to 50%.
2. When SERPNV is executed, the volatile Read Extended Register is set as well as the non-volatile Read Extended Register.

**Figure 8.42 Set Extended Read Parameters Sequence**

**Figure 8.43 Set Extended Read Parameters QPI Sequence**


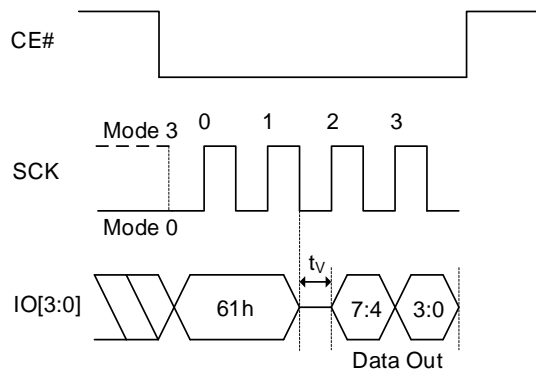
### 8.26 READ READ PARAMETERS OPERATION (RDRPNV, 61h)

Prior to, or after setting Read Register, the data of the Read Register can be confirmed by the RDRPNV command. The instruction is only applicable for non-volatile Read Register, not for volatile Read Register.

**Figure 8.44 Read Read Parameters Sequence**



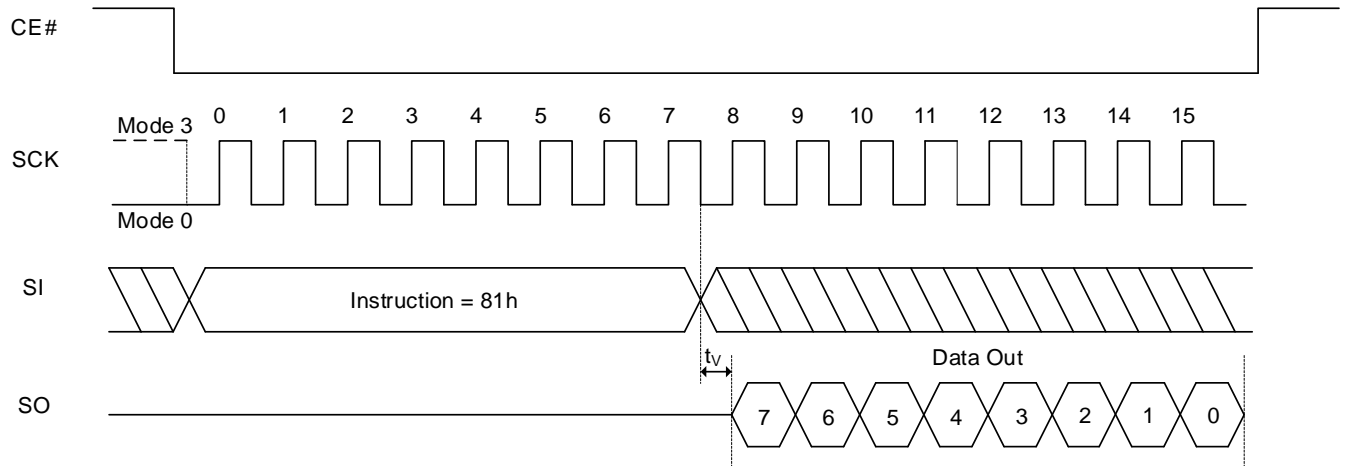
**Figure 8.45 Read Read Parameters QPI Sequence**



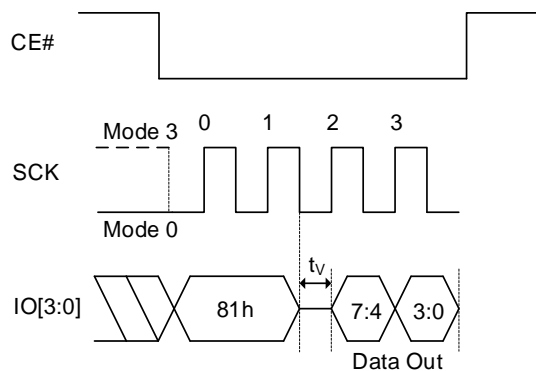
**8.27 READ EXTENDED READ PARAMETERS OPERATION (RDRPNV, 81h)**

Prior to, or after setting Extended Read Register, the data of the Extended Read Register can be confirmed by the RDRPNV command. The instruction is only applicable for non-volatile Extended Read Register, not for volatile Extended Read Register.

**Figure 8.46 Read Extended Read Parameters Sequence**



**Figure 8.47 Read Extended Read Parameters QPI Sequence**



**8.28 READ PRODUCT IDENTIFICATION (RDID, ABh)**

The Release from Power-down/Read Device ID instruction is a multi-purpose instruction. It can support both SPI and QPI modes. The Read Product Identification (RDID) instruction is for reading out the old style of 8-bit Electronic Signature, whose values are shown as table of Product Identification.

The RDID instruction code is followed by three dummy bytes, each bit being latched-in on SI during the rising SCK edge. Then the Device ID is shifted out on SO with the MSB first, each bit been shifted out during the falling edge of SCK. The RDID instruction is ended by driving CE# high. The Device ID (ID7-ID0) outputs repeatedly if additional clock cycles are continuously sent to SCK while CE# is at low.

**Table 8.5 Product Identification**

| Manufacturer ID   |                     | (MF7-MF0) |                                   |
|-------------------|---------------------|-----------|-----------------------------------|
| ISSI Serial Flash |                     | 9Dh       |                                   |
| Instruction       | ABh                 | 90h       | 9Fh                               |
| Device Density    | Device ID (ID7-ID0) |           | Memory Type + Capacity (ID15-ID0) |
| 16Mb              | 14h                 |           | 7015h                             |
| 8Mb               | 13h                 |           | 7014h                             |
| 4Mb               | 12h                 |           | 7013h                             |
| 2Mb               | 11h                 |           | 7012h                             |

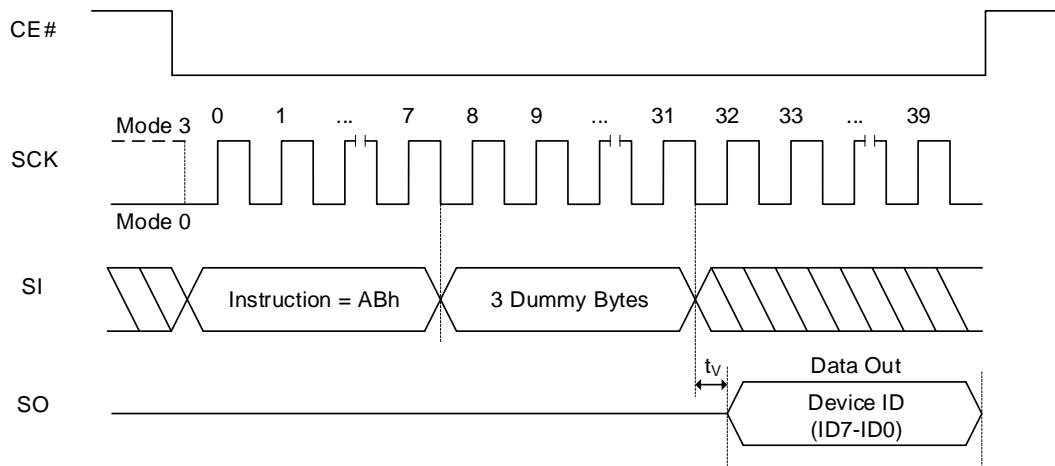
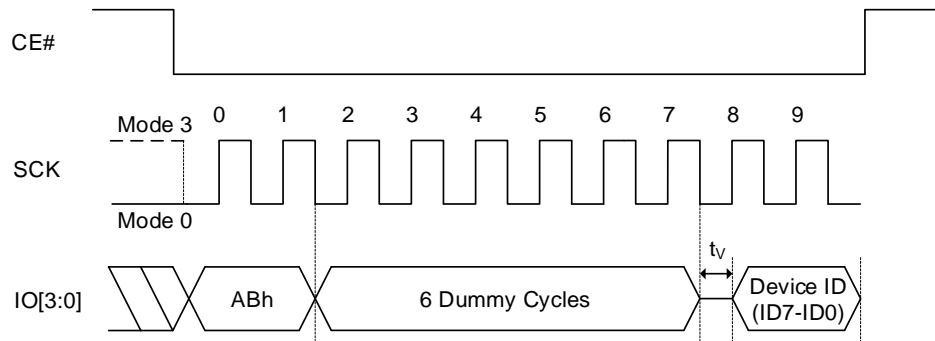
**Figure 8.48 Read Product Identification Sequence**




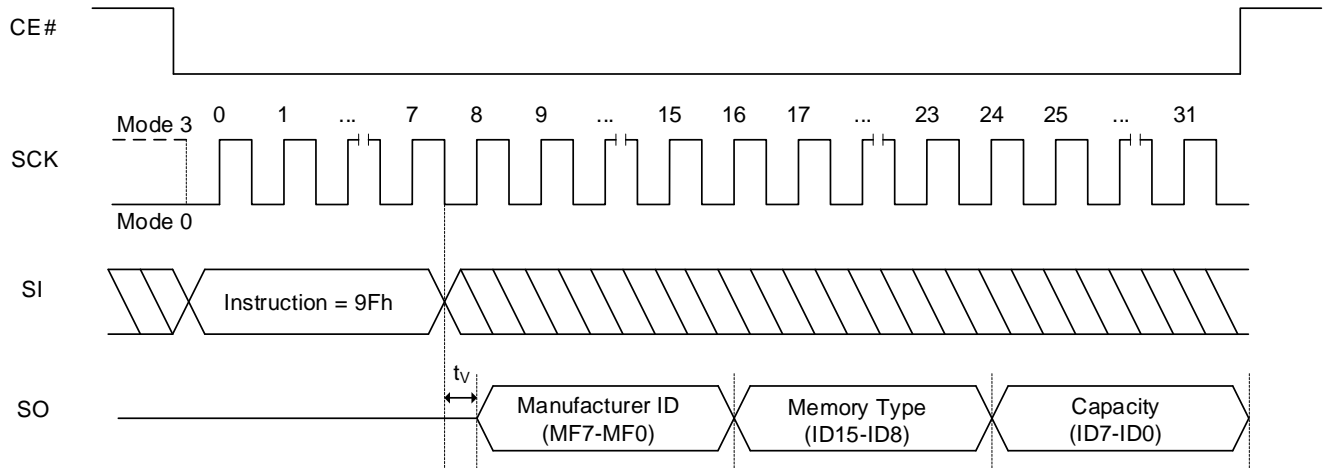
Figure 8.49 Read Product Identification QPI Sequence



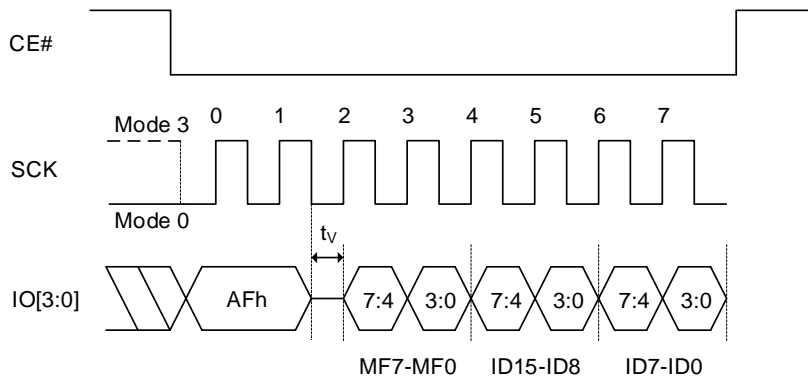
**8.29 READ PRODUCT IDENTIFICATION BY JEDEC ID OPERATION (RDJDID, 9Fh; RDJDIDQ, AFh)**

The JEDEC ID READ instruction allows the user to read the manufacturer and product ID of devices. Refer to Table 8.5 Product Identification for Manufacturer ID and Device ID. After the JEDEC ID READ command (9Fh in SPI mode, AFh in QPI mode) is input, the Manufacturer ID is shifted out MSB first followed by the 2-byte electronic ID (ID15-ID0) that indicates Memory Type and Capacity, one bit at a time. Each bit is shifted out during the falling edge of SCK. If CE# stays low after the last bit of the 2-byte electronic ID, the Manufacturer ID and 2-byte electronic ID will loop until CE# is pulled high.

**Figure 8.50 Read Product Identification by JEDEC ID Read Sequence in SPI mode**

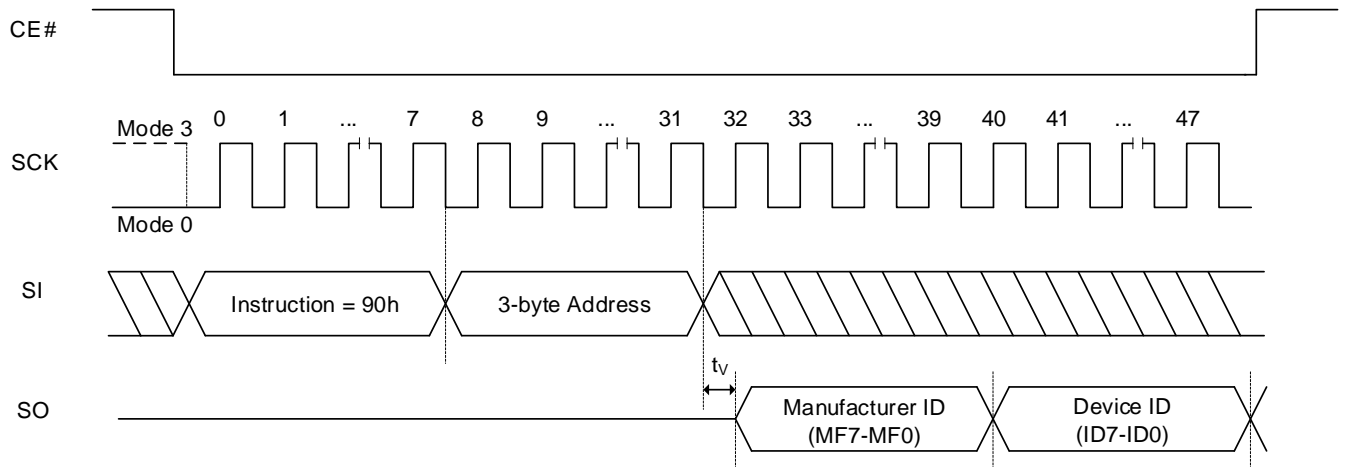


**Figure 8.51 RDJDIDQ (Read JEDEC ID in QPI Mode) Sequence**

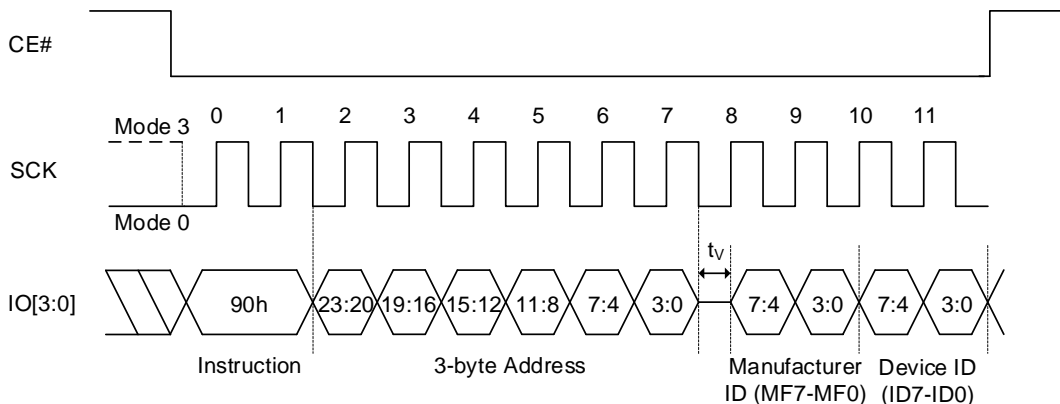


**8.30 READ DEVICE MANUFACTURER AND DEVICE ID OPERATION (RDMDID, 90h)**

The Read Device Manufacturer and Device ID (RDMDID) instruction allows the user to read the Manufacturer and product ID of devices. Refer to Table 8.5 Product Identification for Manufacturer ID and Device ID. The RDMDID instruction code is followed by two dummy bytes and one byte address (A7~A0), each bit being latched-in on SI during the rising edge of SCK. If one byte address is initially set as A0 = 0, then the Manufacturer ID is shifted out on SO with the MSB first followed by the Device ID (ID7- ID0). Each bit is shifted out during the falling edge of SCK. If one byte address is initially set as A0 = 1, then Device ID will be read first followed by the Manufacturer ID. The Manufacturer and Device ID can be read continuously alternating between the two until CE# is driven high.

**Figure 8.52 Read Product Identification by RDMDID Sequence**

**Notes:**

1. ADDRESS A0 = 0, will output the 1-byte Manufacturer ID (MF7-MF0) → 1-byte Device ID (ID7-ID0)  
ADDRESS A0 = 1, will output the 1-byte Device ID (ID7-ID0) → 1-byte Manufacturer ID (MF7-MF0)
2. The Manufacturer and Device ID can be read continuously and will alternate from one to the other until CE# pin is pulled high.

**Figure 8.53 Read Product Identification by RDMDID QPI Sequence**

**Notes:**

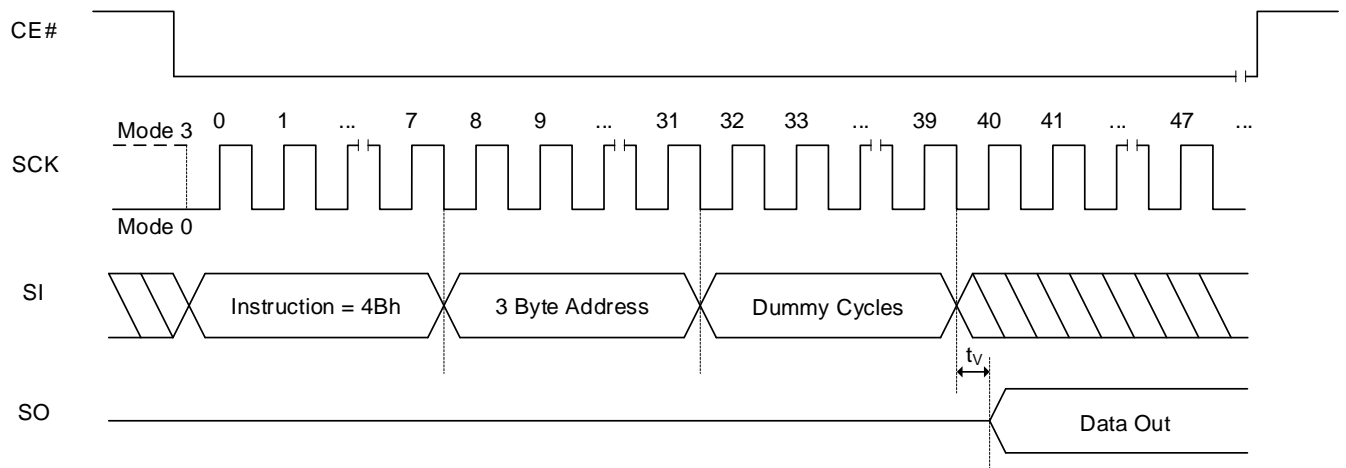
1. ADDRESS A0 = 0, will output the 1-byte Manufacturer ID (MF7-MF0) → 1-byte Device ID (ID7-ID0)  
ADDRESS A0 = 1, will output the 1-byte Device ID (ID7-ID0) → 1-byte Manufacturer ID (MF7-MF0)
2. The Manufacturer and Device ID can be read continuously and will alternate from one to the other until CE# pin is pulled high.

### 8.31 READ UNIQUE ID NUMBER (RDUID, 4Bh)

The Read Unique ID Number (RDUID) instruction accesses a factory-set read-only 16-byte number that is unique to the device. The ID number can be used in conjunction with user software methods to help prevent copying or cloning of a system. The RDUID instruction is instated by driving the CE# pin low and shifting the instruction code (4Bh) followed by 3 address bytes and dummy cycles (configurable, default is 8 clocks). After which, the 16-byte ID is shifted out on the falling edge of SCK as shown below. As a result, the sequence of RDUID instruction is same as FAST READ. RDUID QPI sequence is also same as FAST READ QPI except for the instruction code. Refer to the FAST READ QPI operation.

**Note: 16 bytes of data will repeat as long as CE# is low and SCK is toggling.**

**Figure 8.54 RDUID Sequence**



**Note: Dummy cycles depends on Read Parameter setting. Detailed information in Table 6.11 Read Dummy Cycles.**

**Table 8.6 Unique ID Addressing**

| A[23:16] | A[15:9] | A[8:4] | A[3:0]          |
|----------|---------|--------|-----------------|
| XXh      | XXh     | 00h    | 0h Byte address |
| XXh      | XXh     | 00h    | 1h Byte address |
| XXh      | XXh     | 00h    | 2h Byte address |
| XXh      | XXh     | 00h    | ⋮               |
| XXh      | XXh     | 00h    | Fh Byte address |

**Note: XX means “don’t care”.**

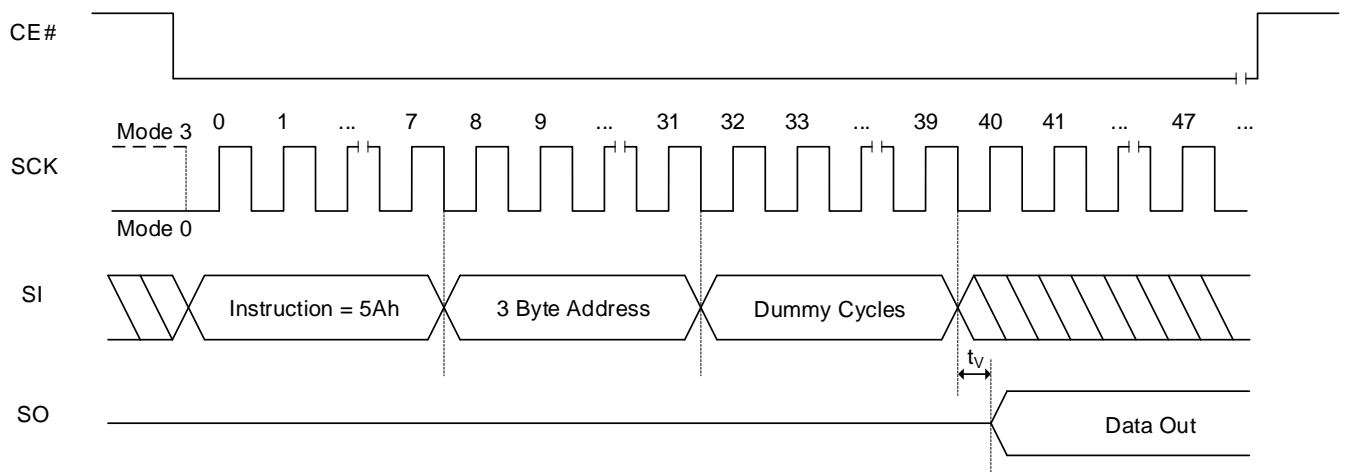
### 8.32 READ SFDP OPERATION (RDSFDP, 5Ah)

The Serial Flash Discoverable Parameters (SFDP) standard provides a consistent method of describing the functions and features of serial Flash devices in a standard set of internal parameter tables. These parameters can be interrogated by host system software to enable adjustments needed to accommodate divergent features from multiple vendors. For more details please refer to the JEDEC Standard JESD216A (Serial Flash Discoverable Parameters).

The sequence of issuing RDSFDP instruction is same as FAST\_READ: CE# goes low → Send RDSFDP instruction (5Ah) → Send 3 address bytes on SI pin → Send dummy cycles (configurable, default is 8 clocks) on SI pin → Read SFDP code on SO → End RDSFDP operation by driving CE# high at any time during data out. Refer to ISSI's Application note for SFDP table. The data at the addresses that are not specified in SFDP table are undefined.

The sequence of RDSFDP instruction is same as FAST READ except for the instruction code. RDSFDP QPI sequence is also same as FAST READ QPI except for the instruction code. Refer to the FAST READ QPI operation.

**Figure 8.55 RDSFDP (Read SFDP) Sequence**



**Note: Dummy cycles depends on Read Parameter setting. Detailed information in Table 6.11 Read Dummy Cycles.**

### 8.33 NO OPERATION (NOP, 00h)

The No Operation command solely cancels a Reset Enable command and has no impact on any other commands. It is available in both SPI and QPI modes. To execute a NOP, the host drives CE# low, sends the NOP command cycle (00H), then drives CE# high.

**8.34 SOFTWARE RESET (RESET-ENABLE (RSTEN, 66h) AND RESET (RST, 99h)) AND HARDWARE RESET**

The Software Reset operation is used as a system reset that puts the device in normal operating mode. During the Reset operation, the value of volatile registers will default back to the value in the corresponding non-volatile register. This operation consists of two commands: Reset-Enable (RSTEN) and Reset (RST). The operation requires the Reset-Enable command followed by the Reset command. Any command other than the Reset command after the Reset-Enable command will disable the Reset-Enable.

Execute the CE# pin low → sends the Reset-Enable command (66h), and drives CE# high. Next, the host drives CE# low again, sends the Reset command (99h), and pulls CE# high.

Only if the RESET# pin (or ball) is enabled, Hardware Reset function is available. For all other packages except the package with dedicated RESET# option, the RESET# pin will be solely applicable in SPI mode and when the QE bit is disabled. For the package with dedicated RESET# pin (or ball) which is enabled by the RESET# Enable/Disable bit setting ("0" indicates Enable) in Function Register, the RESET# pin is always applicable regardless of the QE bit value in Status Register and HOLD#/RESET# selection bit (P7) in Read Register.

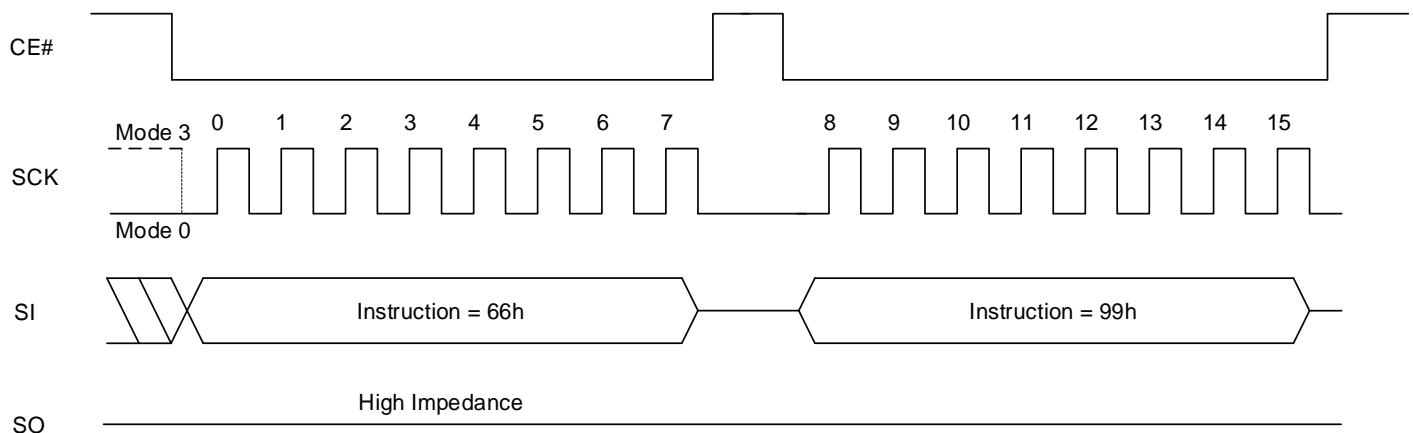
The dedicated RESET# pin (or ball) has an internal pull-up resistor and may be left floating if not used. The RESET# pin has the highest priority among all the input signals and will reset the device to its initial power-on state regardless of the state of all other pins (CE#, IOs, SCK, and WP#).

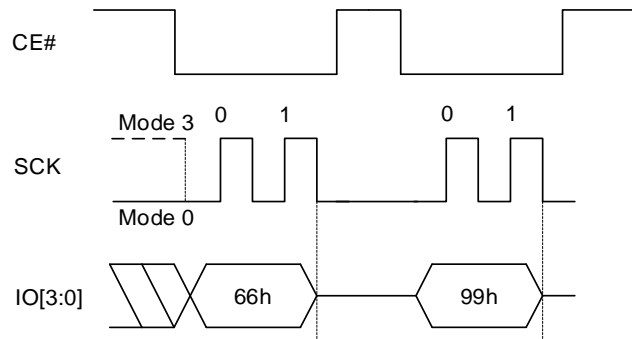
In order to activate Hardware Reset, the RESET# pin must be driven low for a minimum period of  $t_{RESET}$  (1 $\mu$ s). Drive RESET# low for a minimum period of  $t_{RESET}$  will interrupt any on-going internal and external operations, release the device from deep power down mode<sup>1</sup>, disable all input signals, force the output pin enter a state of high impedance, and reset all the read parameters. If the RESET# pulse is driven for a period shorter than 1 $\mu$ s, it may still reset the device, however the 1 $\mu$ s minimum period is recommended to ensure the reliable operation. The required wait time after activating a HW Reset before the device will accept another instruction ( $t_{HWRST}$ ) is the same as the maximum value of  $t_{SUS}$  (100 $\mu$ s).

The Software/Hardware Reset during an active Program or Erase operation aborts the operation, which can result in corrupting or losing the data of the targeted address range. Depending on the prior operation, the reset timing may vary. Recovery from a Write operation will require more latency than recovery from other operations.

**Note 1: The Status and Function Registers remain unaffected.**

**Figure 8.56 Software Reset Enable and Software Reset Sequence (RSTEN, 66h + RST, 99h)**



**Figure 8.57 Software Reset Enable and Software Reset QPI Sequence (RSTEN, 66h + RST, 99h)**


### 8.35 SECURITY INFORMATION ROW

The security Information Row is comprised of an additional 4 x 256 bytes of programmable information. The security bits can be reprogrammed by the user. Any program security instruction issued while an erase, program or write cycle is in progress is rejected without having any effect on the cycle that is in progress.

**Table 8.7 Information Row Valid Address Range**

| Address Assignment           | A[23:16] | A[15:8] | A[7:0]       |
|------------------------------|----------|---------|--------------|
| IRL0 (Information Row Lock0) | 00h      | 00h     | Byte address |
| IRL1                         | 00h      | 10h     | Byte address |
| IRL2                         | 00h      | 20h     | Byte address |
| IRL3                         | 00h      | 30h     | Byte address |

Bit 7~4 of the Function Register is used to permanently lock the programmable memory array.

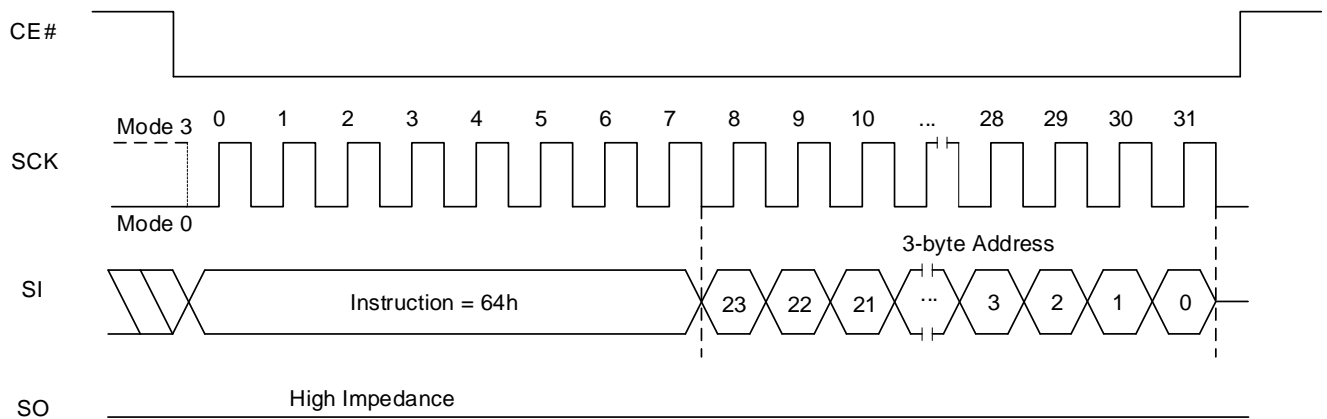
When Function Register bit IRLx = "0", the 256 bytes of the programmable memory array can be programmed. When Function Register bit IRLx = "1", the 256 bytes of the programmable memory array function as read only.

### 8.36 INFORMATION ROW ERASE OPERATION (IRER, 64h)

Information Row Erase (IRER) instruction erases the data in the Information Row x (x: 0~3) array. Prior to the operation, the Write Enable Latch (WEL) must be set via a Write Enable (WREN) instruction. The WEL bit is automatically reset after the completion of the operation.

The sequence of IRER operation: Pull CE# low to select the device → Send IRER instruction code → Send three address bytes → Pull CE# high. CE# should remain low during the entire instruction sequence. Once CE# is pulled high, Erase operation will begin immediately. The internal control logic automatically handles the erase voltage and timing.

**Figure 8.58 IRER (Information Row Erase) Sequence**





### 8.37 INFORMATION ROW PROGRAM OPERATION (IRP, 62h)

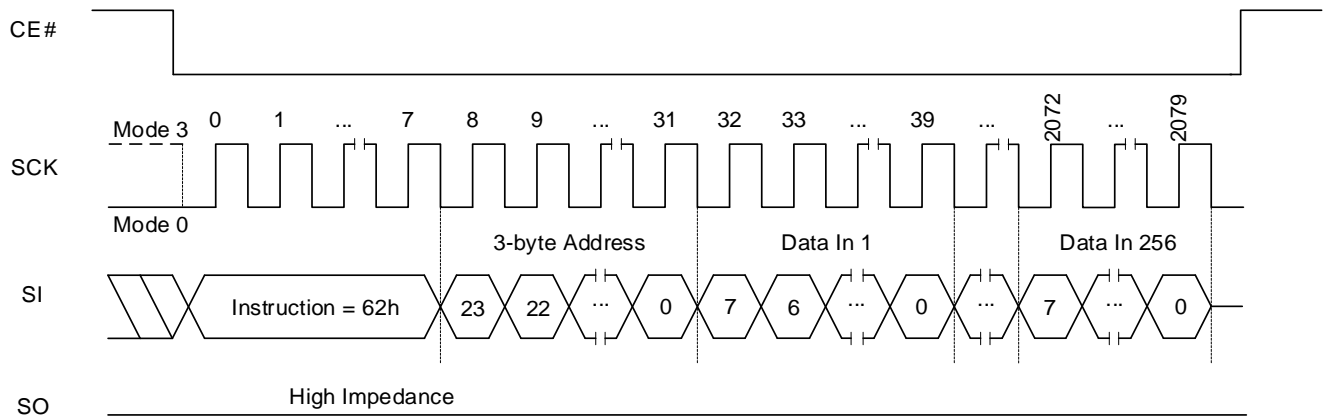
The Information Row Program (IRP) instruction allows up to 256 bytes data to be programmed into the memory in a single operation. Before the execution of IRP instruction, the Write Enable Latch (WEL) must be enabled through a Write Enable (WREN) instruction.

The IRP instruction code, three address bytes and program data (1 to 256 bytes) should be sequentially input. Three address bytes has to be input as specified in the Table 8.7 Information Row Valid Address Range. Program operation will start once the CE# goes high, otherwise the IRP instruction will not be executed. The internal control logic automatically handles the programming voltages and timing. During a program operation, all instructions will be ignored except the RDSR instruction. The progress or completion of the program operation can be determined by reading the WIP bit in Status Register via a RDSR instruction. If the WIP bit is “1”, the program operation is still in progress. If WIP bit is “0”, the program operation has completed.

If more than 256 bytes data are sent to a device, the address counter rolls over within the same page. The previously latched data are discarded and the last 256 bytes data are kept to be programmed into the page. The starting byte can be anywhere within the page. When the end of the page is reached, the address will wrap around to the beginning of the same page. If the data to be programmed are less than a full page, the data of all other bytes on the same page will remain unchanged.

**Note: A program operation can alter “1”s into “0”s, but an erase operation is required to change “0”s back to “1”s. A byte cannot be reprogrammed without first erasing the corresponding Information Row array which is one of IR0~3.**

Figure 8.59 IRP (Information Row Program) Sequence



### 8.38 INFORMATION ROW READ OPERATION (IRRD, 68h)

The IRRD instruction is used to read memory data at up to a 133MHz clock.

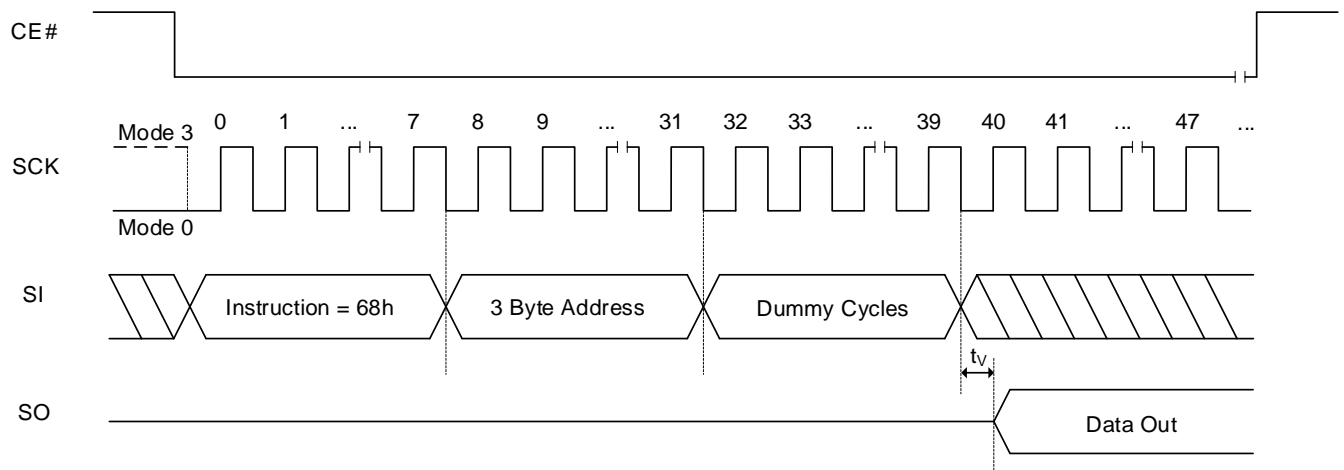
The IRRD instruction code is followed by three address bytes (A23 - A0) and dummy cycles (configurable, default is 8 clocks), transmitted via the SI line, with each bit latched-in during the rising edge of SCK. Then the first data byte addressed is shifted out on the SO line, with each bit shifted out at a maximum frequency  $f_{ct}$ , during the falling edge of SCK.

The address is automatically incremented by one after each byte of data is shifted out. Once the address reaches the last address of each 256 byte Information Row, the next address will not be valid and the data of the address will be garbage data. It is recommended to repeat four times IRRD operation that reads 256 byte with a valid starting address of each Information Row in order to read all data in the 4 x 256 byte Information Row array. The IRRD instruction is terminated by driving CE# high (VIH).

If an IRRD instruction is issued while an Erase, Program or Write cycle is in process (WIP=1) the instruction is ignored and will not have any effects on the current cycle.

The sequence of IRRD instruction is same as FAST READ except for the instruction code. IRRD QPI sequence is also same as FAST READ QPI except for the instruction code. Refer to the FAST READ QPI operation.

**Figure 8.60 IRRD (Information Row Read) Sequence**



**Note: Dummy cycles depends on Read Parameter setting. Detailed information in Table 6.11 Read Dummy Cycles.**

### 8.39 FAST READ DTR MODE OPERATION (FRDTR, 0Dh)

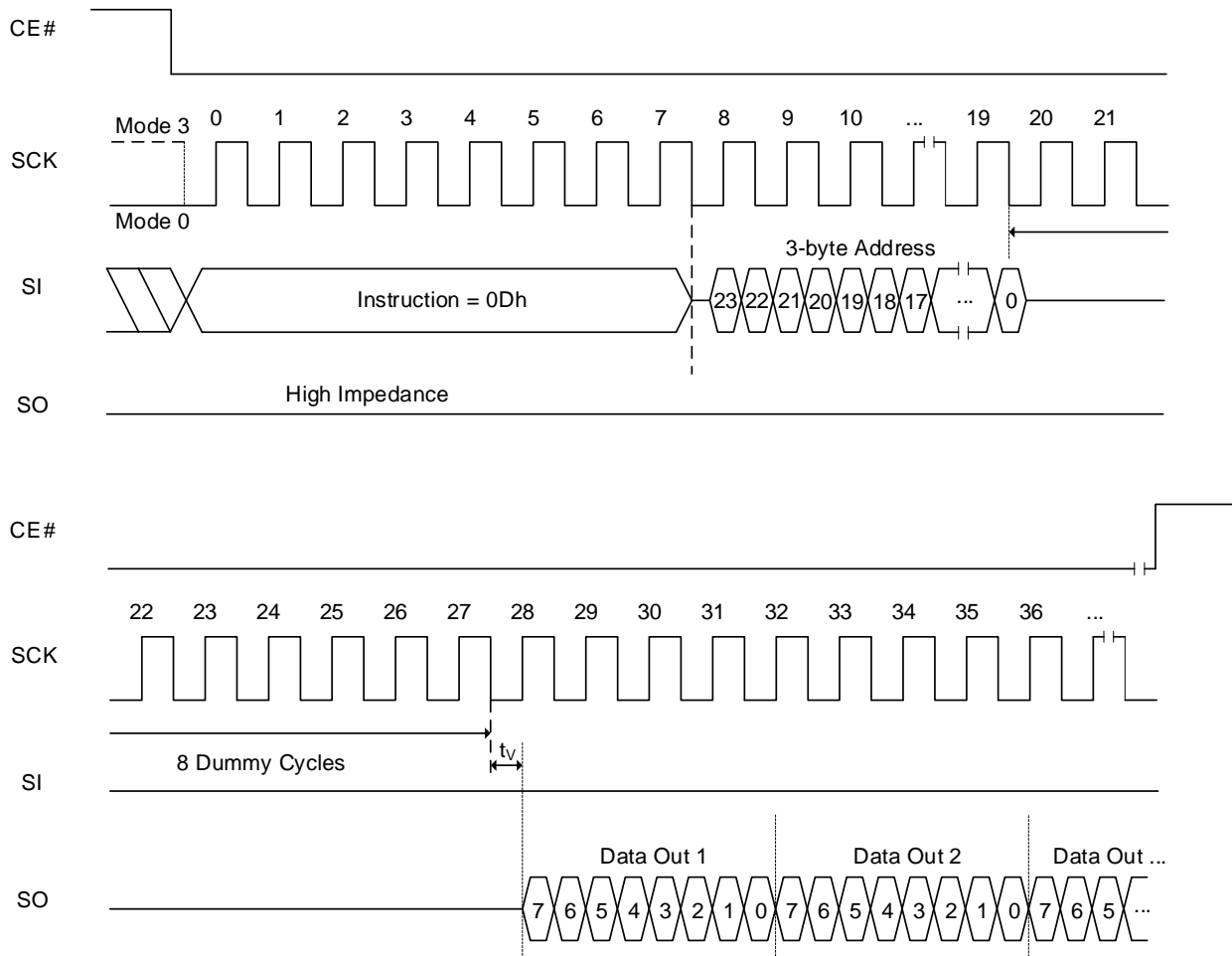
The FRDTR instruction is for doubling the data in and out. Signals are triggered on both rising and falling edge of clock. The address is latched on both rising and falling edge of SCK, and data of each bit shifts out on both rising and falling edge of SCK at a maximum frequency  $f_{C2}$ . The 2-bit address can be latched-in at one clock, and 2-bit data can be read out at one clock, which means one bit at the rising edge of clock, the other bit at the falling edge of clock.

The first address byte can be at any location. The address is automatically increased to the next higher address after each byte of data is shifted out, so the whole memory can be read out in a single FRDTR instruction. The address counter rolls over to 0 when the highest address is reached.

The sequence of issuing FRDTR instruction is: CE# goes low → Sending FRDTR instruction code (1bit per clock) → 3-byte address on SI (2-bit per clock) → 8 dummy clocks (configurable, default is 8 clocks) on SI → Data out on SO (2-bit per clock) → End FRDTR operation via driving CE# high at any time during data out.

While a Program/Erase/Write Status Register cycle is in progress, FRDTR instruction will be rejected without any effect on the current cycle.

**Figure 8.61 FRDTR Sequence**



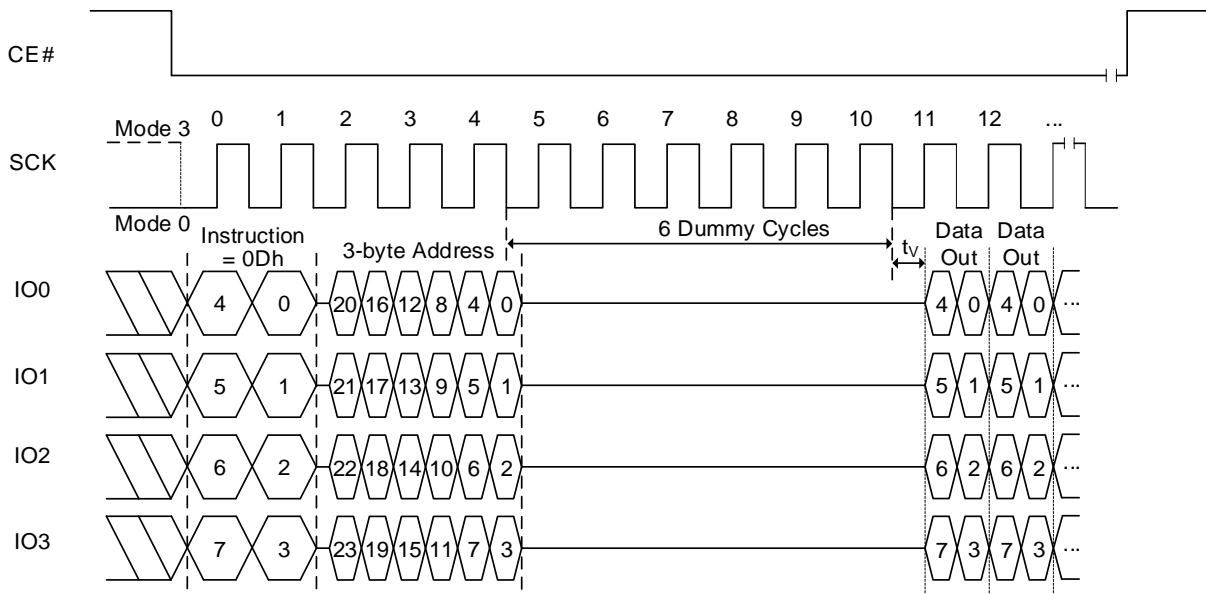
**Note: Dummy cycles depends on Read Parameter setting. Detailed information in Table 6.11 Read Dummy Cycles.**

**FAST READ DTR QPI MODE OPERATION (FRDTR QPI, 0Dh)**

The FRDTR QPI instruction utilizes all four IO lines to input the instruction code so that only two clocks are required, while the FRDTR instruction requires that the byte-long instruction code is shifted into the device only via IO0 line in eight clocks. In addition, subsequent address and data out are shifted in/out via all four IO lines unlike the FRDTR instruction. Eventually this operation is same as the FRQDTR QPI, but the only different thing is that AX mode is not available in the FRDTR QPI operation.

The sequence of issuing FRDTR QPI instruction is: CE# goes low → Sending FRDTR QPI instruction (4-bit per clock) → 24-bit address interleave on IO3, IO2, IO1 & IO0 (8-bit per clock) → 6 dummy clocks (configurable, default is 6 clocks) → Data out interleave on IO3, IO2, IO1 & IO0 (8-bit per clock) → End FRDTR QPI operation by driving CE# high at any time during data out.

If the FRDTR QPI instruction is issued while a Program/Erase/Write Status Register cycle is in progress (WIP=1), the instruction will be rejected without any effect on the current cycle.

**Figure 8.62 FRDTR QPI Sequence**

**Notes:**

1. Number of dummy cycles depends on clock speed. Detailed information in Table 6.11 Read Dummy Cycles.
2. Sufficient dummy cycles are required to avoid I/O contention.

#### 8.40 FAST READ DUAL IO DTR MODE OPERATION (FRDDTR, BDh)

The FRDDTR instruction enables Double Transfer Rate throughput on dual I/O of the device in read mode. The address (interleave on dual I/O pins) is latched on both rising and falling edge of SCK, and the data (interleave on dual I/O pins) shift out on both rising and falling edge of SCK at a maximum frequency  $f_{T2}$ . The 4-bit address can be latched-in at one clock, and 4-bit data can be read out at one clock, which means two bits at the rising edge of clock, the other two bits at the falling edge of clock.

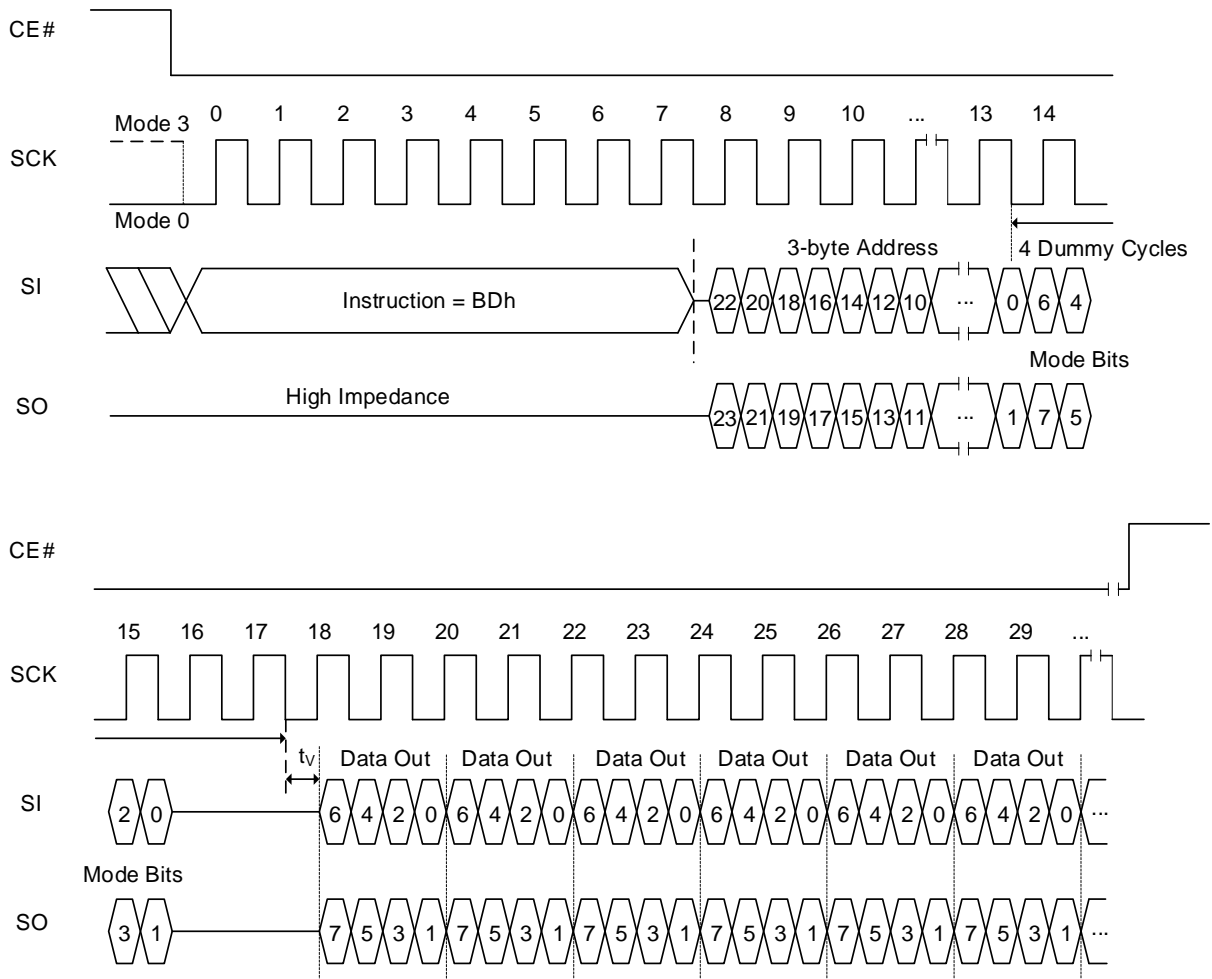
The first address byte can be at any location. The address is automatically increased to the next higher address after each byte of data is shifted out, so the whole memory can be read out with a single FRDDTR instruction. The address counter rolls over to 0 when the highest address is reached. Once writing FRDDTR instruction, the following address/dummy/data out will perform as 4-bit instead of previous 1-bit.

The sequence of issuing FRDDTR instruction is: CE# goes low → Sending FRDDTR instruction (1-bit per clock) → 24-bit address interleave on IO1 & IO0 (4-bit per clock) → 4 dummy clocks (configurable, default is 4 clocks) on IO1 & IO0 → Data out interleave on IO1 & IO0 (4-bit per clock) → End FRDDTR operation via pulling CE# high at any time during data out (Please refer to Figure 8.63 for 2 x I/O Double Transfer Rate Read Mode Timing Waveform).

If AXh (where X is don't care) is input for the mode bits during dummy cycles, the device will enter AX read operation mode which enables subsequent FRDDTR execution skips command code. It saves cycles as described in Figure 8.64. When the code is different from AXh, the device exits the AX read operation. After finishing the read operation, device becomes ready to receive a new command.

If the FRDDTR instruction is issued while a Program/Erase/Write Status Register cycle is in progress (WIP=1), the instruction will be rejected without any effect on the current cycle.

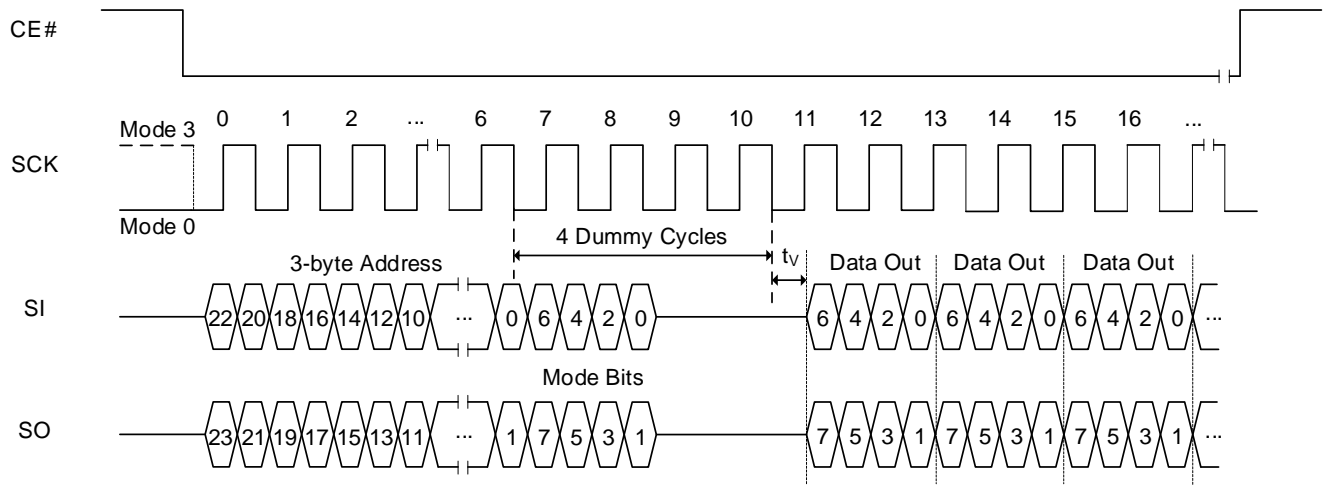
Figure 8.63 FRDDTR Sequence (with command decode cycles)



**Notes:**

1. If the mode bits=AXh (where X is don't care), it can execute the AX read mode (without command). When the mode bits are different from AXh, the device exits the AX read operation.
2. Number of dummy cycles depends on clock speed. Detailed information in Table 6.11 Read Dummy Cycles.
3. Sufficient dummy cycles are required to avoid I/O contention. If the number of dummy cycles and AX bit cycles are same, then X should be Hi-Z.

Figure 8.64 FRDDTR AX Read Sequence (without command decode cycles)



**Notes:**

1. If the mode bits=AXh (where X is don't care), it will keep executing the AX read mode (without command). When the mode bits are different from AXh, the device exits the AX read operation.
2. Number of dummy cycles depends on clock speed. Detailed information in Table 6.11 Read Dummy Cycles.
3. Sufficient dummy cycles are required to avoid I/O contention. If the number of dummy cycles and AX bit cycles are same, then X should be Hi-Z.

#### **8.41 FAST READ QUAD IO DTR MODE OPERATION (FRQDTR, EDh)**

The FRQDTR instruction enables Double Transfer Rate throughput on quad I/O of the device in read mode. The address (interleave on 4 I/O pins) is latched on both rising and falling edge of SCK, and data (interleave on 4 I/O pins) shift out on both rising and falling edge of SCK at a maximum frequency  $f_{Q2}$ . The 8-bit address can be latched-in at one clock, and 8-bit data can be read out at one clock, which means four bits at the rising edge of clock, the other four bits at the falling edge of clock.

The first address byte can be at any location. The address is automatically increased to the next higher address after each byte data is shifted out, so the whole memory can be read out with a single FRQDTR instruction. The address counter rolls over to 0 when the highest address is reached. Once writing FRQDTR instruction, the following address/dummy/data out will perform as 8-bit instead of previous 1-bit.

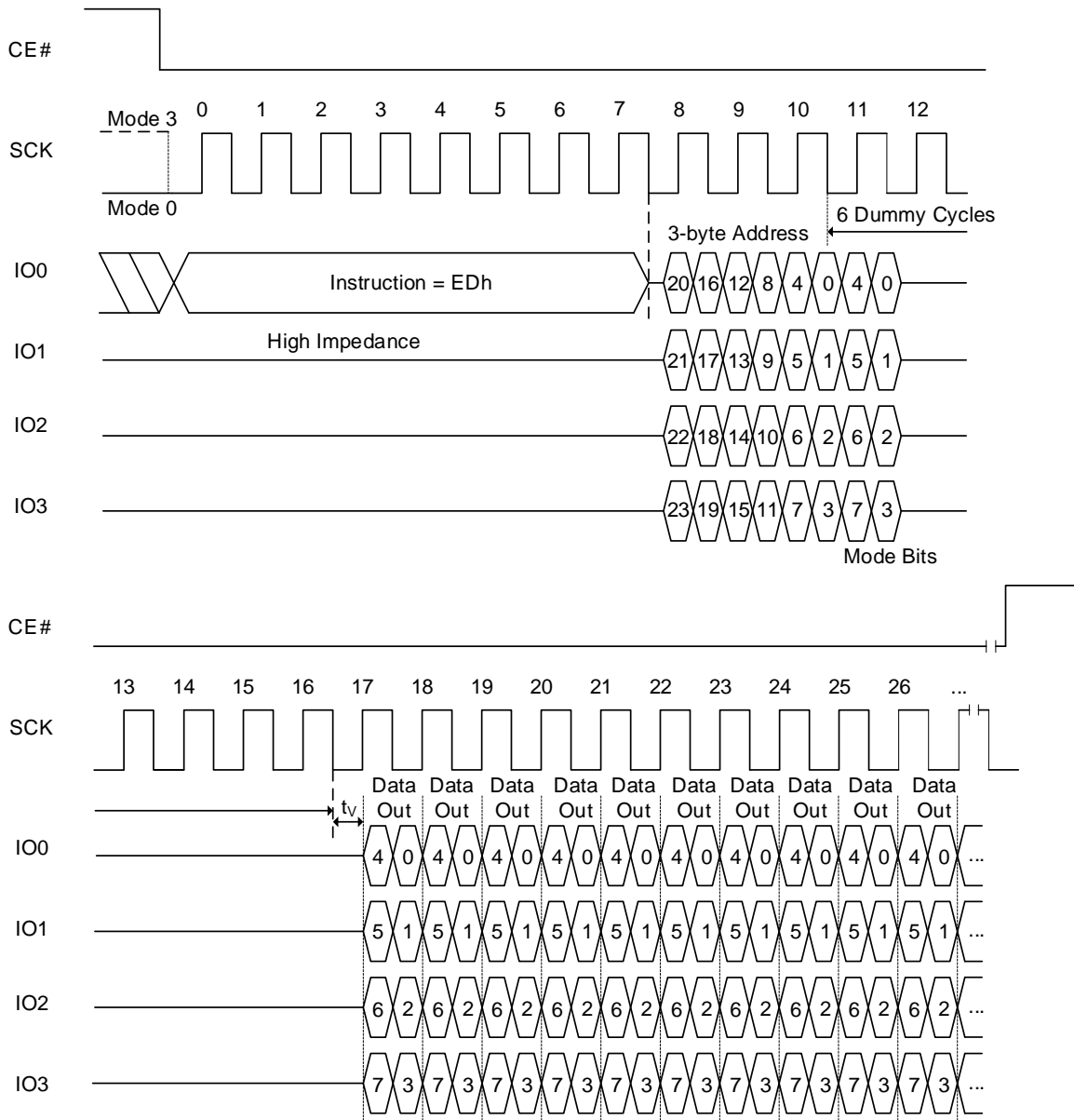
The sequence of issuing FRQDTR instruction is: CE# goes low → Sending FRQDTR instruction (1-bit per clock) → 24-bit address interleave on IO3, IO2, IO1 & IO0 (8-bit per clock) → 6 dummy clocks (configurable, default is 6 clocks) → Data out interleave on IO3, IO2, IO1 & IO0 (8-bit per clock) → End FRQDTR operation by driving CE# high at any time during data out.

If AXh (where X is don't care) is input for the mode bits during dummy cycles, the device will enter AX read operation mode which enables subsequent FRQDTR execution skips command code. It saves cycles as described in Figure 8.66. When the code is different from AXh, the device exits the AX read operation. After finishing the read operation, device becomes ready to receive a new command.

If the FRQDTR instruction is issued while a Program/Erase/Write Status Register cycle is in progress (WIP=1), the instruction will be rejected without any effect on the current cycle.

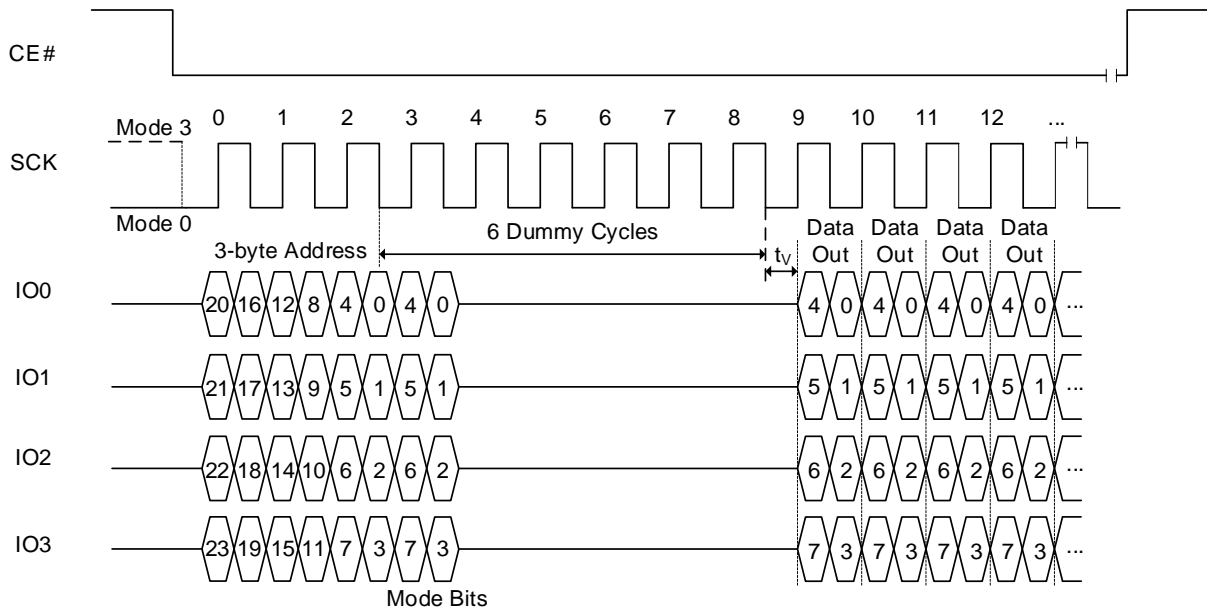


Figure 8.65 FRQDTR Sequence (with command decode cycles)



**Notes:**

1. If the mode bits=AXh (where X is don't care), it can execute the AX read mode (without command). When the mode bits are different from AXh, the device exits the AX read operation.
2. Number of dummy cycles depends on clock speed. Detailed information in Table 6.11 Read Dummy Cycles.
3. Sufficient dummy cycles are required to avoid I/O contention. If the number of dummy cycles and AX bit cycles are same, then X should be Hi-Z.

**Figure 8.66 FRQDTR Sequence (without command decode cycles)**

**Notes:**

1. If the mode bits=AXh (where X is don't care), it will keep executing the AX read mode (without command). When the mode bits are different from AXh, the device exits the AX read operation.
2. Number of dummy cycles depends on clock speed. Detailed information in Table 6.11 Read Dummy Cycles.
3. Sufficient dummy cycles are required to avoid I/O contention. If the number of dummy cycles and AX bit cycles are same, then X should be Hi-Z.

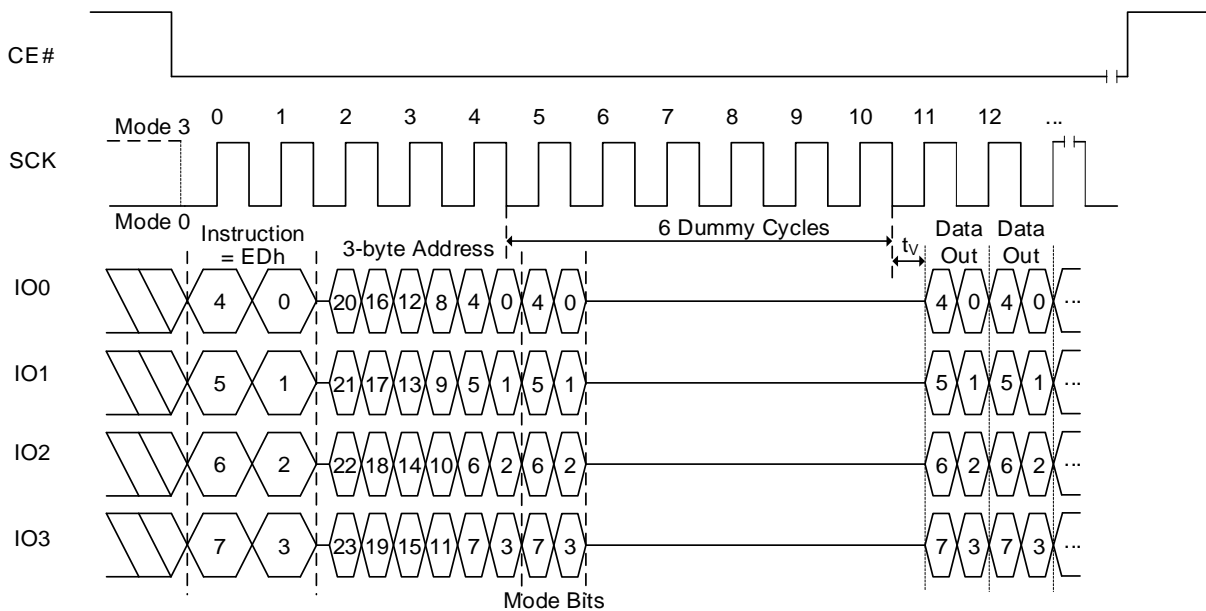
**FAST READ QUAD IO DTR QPI MODE OPERATION (FRQDTR QPI, EDh)**

The FRQDTR QPI instruction utilizes all four IO lines to input the instruction code so that only two clocks are required, while the FRQDTR instruction requires that the byte-long instruction code is shifted into the device only via IO0 line in eight clocks. As a result, 6 command cycles will be reduced by the FRQDTR QPI instruction. In addition, subsequent address and data out are shifted in/out via all four IO lines like the FRQDTR instruction. In fact, except for the command cycle, the FRQDTR QPI operation is exactly same as the FRQDTR.

The sequence of issuing FRQDTR QPI instruction is: CE# goes low → Sending FRQDTR QPI instruction (4-bit per clock) → 24-bit address interleave on IO3, IO2, IO1 & IO0 (8-bit per clock) → 6 dummy clocks (configurable, default is 6 clocks) → Data out interleave on IO3, IO2, IO1 & IO0 (8-bit per clock) → End FRQDTR QPI operation by driving CE# high at any time during data out.

If AXh (where X is don't care) is input for the mode bits during dummy cycles, the device will enter AX read operation mode which enables subsequent FRQDTR QPI execution skips command code. It saves cycles as described in Figure 8.66. When the code is different from AXh, the device exits the AX read operation. After finishing the read operation, device becomes ready to receive a new command.

If the FRQDTR QPI instruction is issued while a Program/Erase/Write Status Register cycle is in progress (WIP=1), the instruction will be rejected without any effect on the current cycle.

**Figure 8.67 FRQDTR QPI Sequence (with command decode cycles)**

**Notes:**

1. If the mode bits=AXh (where X is don't care), it can execute the AX read mode (without command). When the mode bits are different from AXh, the device exits the AX read operation.
2. Number of dummy cycles depends on clock speed. Detailed information in Table 6.11 Read Dummy Cycles.
3. Sufficient dummy cycles are required to avoid I/O contention. If the number of dummy cycles and AX bit cycles are same, then X should be Hi-Z.

8.42 SECTOR LOCK/UNLOCK FUNCTIONS

SECTOR UNLOCK OPERATION (SECUNLOCK, 26h)

The Sector Unlock command allows the user to select a specific sector to allow program and erase operations. This instruction is effective when the blocks are designated as write-protected through the BP0, BP1, BP2, and BP3 bits in the Status Register. Only one sector can be enabled at any time. To enable a different sector, a previously enabled sector must be disabled by executing a Sector Lock command. The instruction code is followed by a 24-bit address specifying the target sector, but A0 through A11 are not decoded. The remaining sectors within the same block remain as read-only.

Figure 8.68 Sector Unlock Sequence

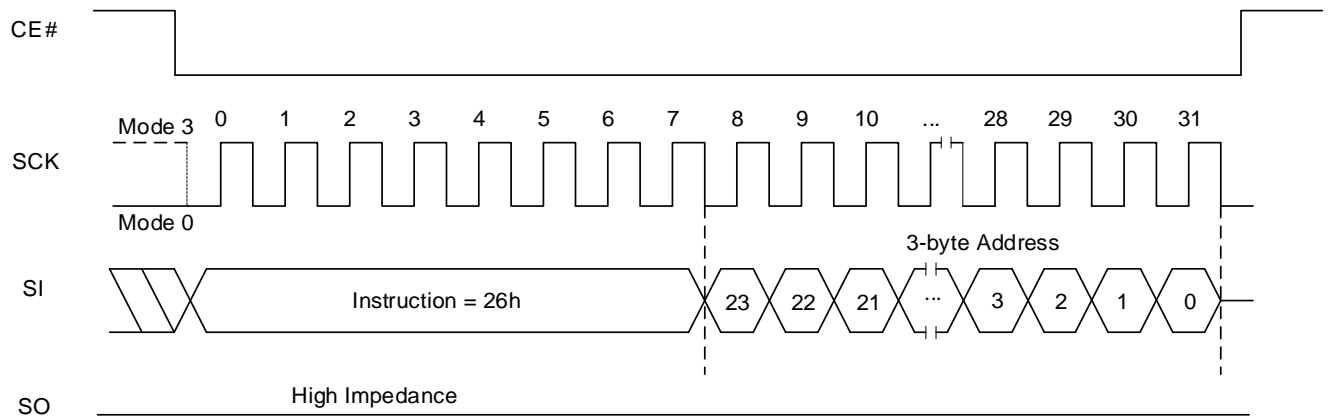
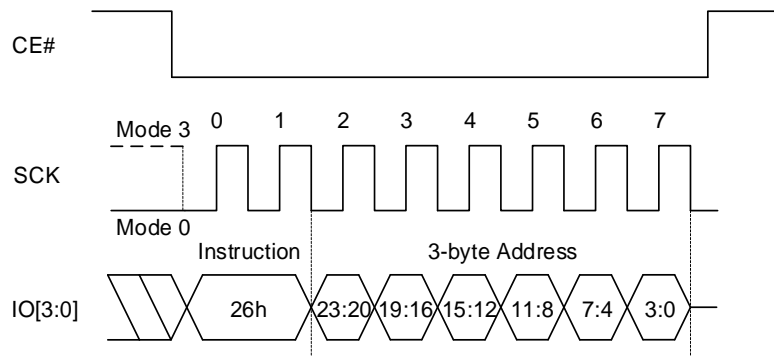


Figure 8.69 Sector Unlock QPI Sequence



### SECTOR LOCK OPERATION (SECLOCK, 24h)

The Sector Lock command relocks a sector that was previously unlocked by the Sector Unlock command. The instruction code does not require an address to be specified, as only one sector can be enabled at a time. The remaining sectors within the same block remain in read-only mode.

Figure 8.70 Sector Lock Sequence

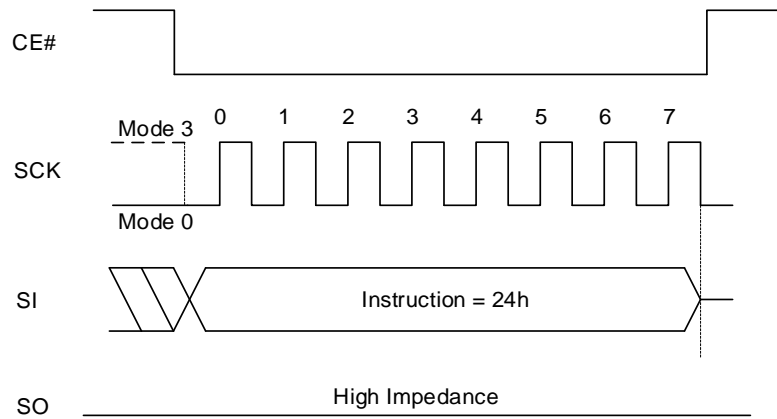
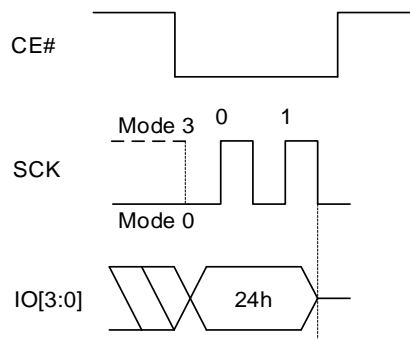


Figure 8.71 Sector Lock QPI Sequence



### 8.43 AUTOBOOT

SPI devices normally require 32 or more cycles of command and address shifting to initiate a read command. And, in order to read boot code from an SPI device, the host memory controller or processor must supply the read command from a hardwired state machine or from some host processor internal ROM code.

Parallel NOR devices need only an initial address, supplied in parallel in a single cycle, and initial access time to start reading boot code.

The AutoBoot feature allows the host memory controller to take boot code from the device immediately after the end of reset, without having to send a read command. This saves 32 or more cycles and simplifies the logic needed to initiate the reading of boot code.

- As part of the power up reset, hardware reset, or command reset process the AutoBoot feature automatically starts a read access from a pre-specified address. At the time the reset process is completed, the device is ready to deliver code from the starting address. The host memory controller only needs to drive CE# signal from high to low and begin toggling the SCK signal. The device will delay code output for a pre-specified number of clock cycles before code streams out.
  - The Auto Boot Start Delay (ABSD) field of the AutoBoot register specifies the initial delay if any is needed by the host.
  - The host cannot send commands during this time.
  - If QE bit (Bit 6) in the Status Register is set to “1”, Fast Read Quad I/O operation will be selected and initial delay is the same as dummy cycles of Fast Read Quad I/O Read operation. If it is set to “0”, Fast Read operation will be applied and initial delay is the same as dummy cycles of Fast Read operation. Maximum operation frequency will be 133MHz for both operations.
- The starting address of the boot code is selected by the value programmed into the AutoBoot Start Address (ABSA) field of the AutoBoot Register.
  - Data will continuously shift out until CE# returns high.
- At any point after the first data byte is transferred, when CE# returns high, the SPI device will reset to standard SPI mode; able to accept normal command operations.
  - A minimum of one byte must be transferred.
  - AutoBoot mode will not initiate again until another power cycle or a reset occurs.
- An AutoBoot Enable bit (ABE) is set to enable the AutoBoot feature.

The AutoBoot register bits are non-volatile and provide:

- The starting address set by the AutoBoot Start Address (ABSA).
- The number of initial delay cycles, set by the AutoBoot Start Delay (ABSD) 4-bit count value.

Figure 8.72 AutoBoot Sequence (QE = 0)

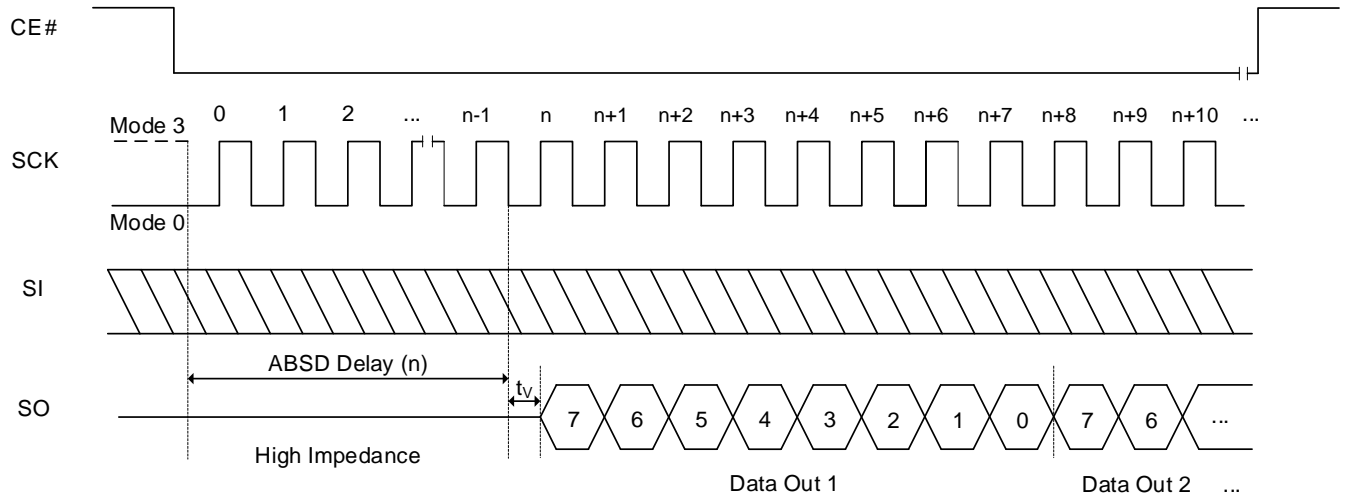
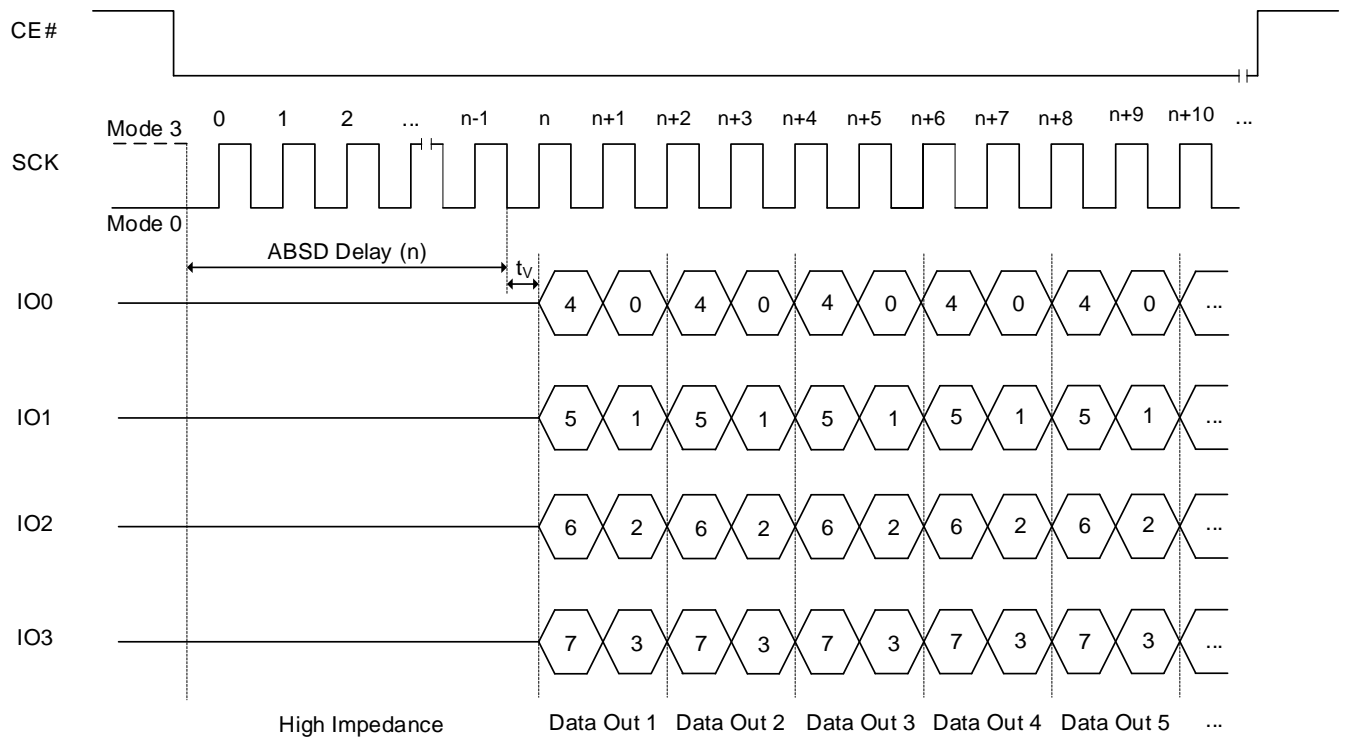


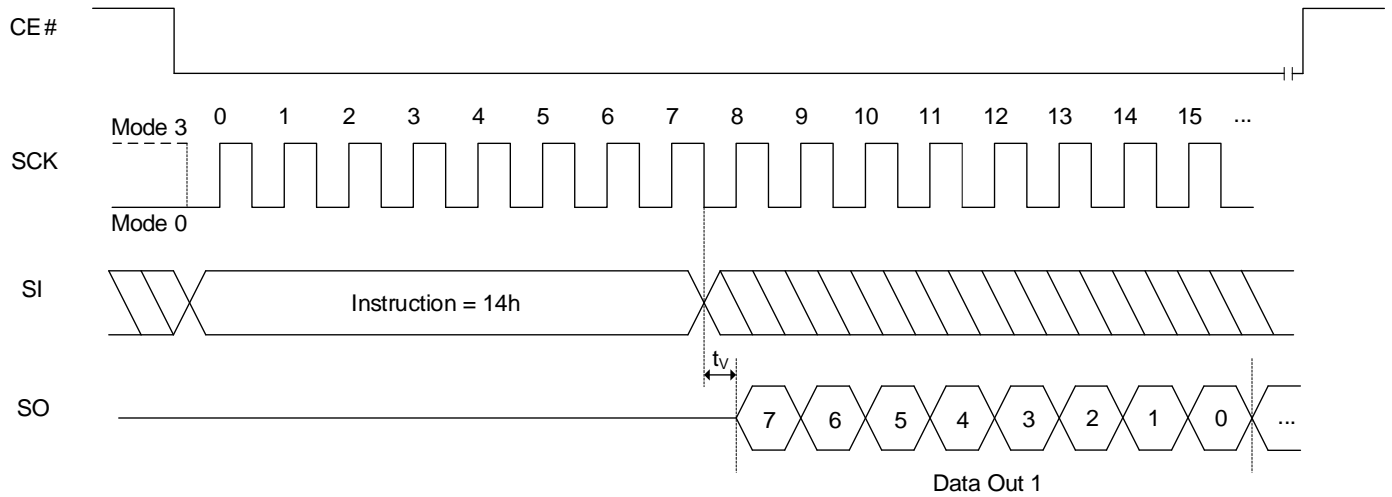
Figure 8.73 AutoBoot Sequence (QE = 1)



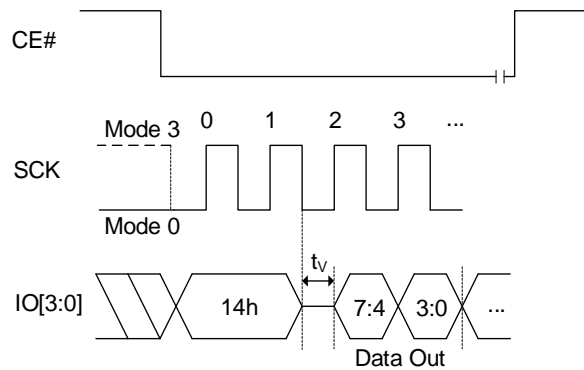
**AUTOBOOT REGISTER READ OPERATION (RDABR, 14h)**

The AutoBoot Register Read command is shifted in. Then the 32-bit AutoBoot Register is shifted out, least significant byte first, most significant bit of each byte first. It is possible to read the AutoBoot Register continuously by providing multiples of 32 bits.

**Figure 8.74 RDABR Sequence (QE = 1)**



**Figure 8.75 RDABR QPI Sequence (QE = 1)**



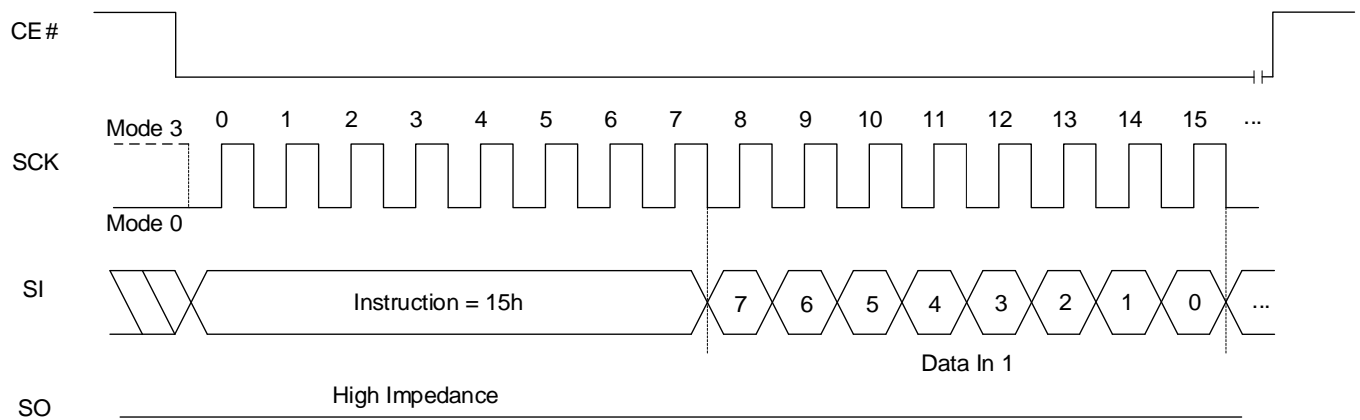
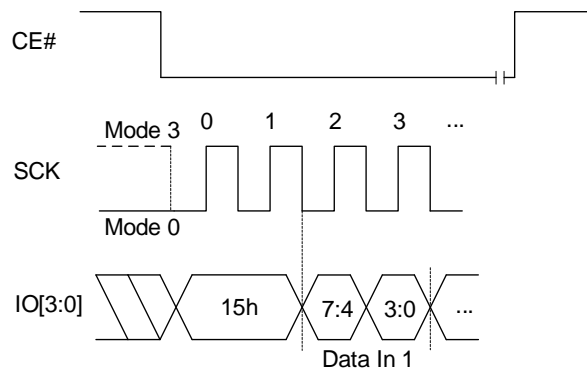


**AUTOBOOT REGISTER WRITE OPERATION (WRABR, 15h)**

Before the WRABR command can be accepted, a Write Enable (WREN) command must be issued and decoded by the device, which sets the Write Enable Latch (WEL) in the Status Register to enable any write operations.

The WRABR command is entered by shifting the instruction and the data bytes, least significant byte first, most significant bit of each byte first. The WRABR data is 32 bits in length.

CE# must be driven high after the 32nd bit of data has been latched. If not, the WRABR command is not executed. As soon as CE# is driven high, the WRABR operation is initiated. While the WRABR operation is in progress, Status Register may be read to check the value of the Write-In Progress (WIP) bit. The WIP bit is "1" during the WRABR operation, and is a 0 when it is completed. When the WRABR cycle is completed, the WEL is set to "0".

**Figure 8.76 WRABR Sequence (QE = 1)**

**Figure 8.77 WRABR QPI Sequence (QE = 1)**


## 9. ELECTRICAL CHARACTERISTICS

### 9.1 ABSOLUTE MAXIMUM RATINGS <sup>(1)</sup>

|                                                                   |                   |                          |
|-------------------------------------------------------------------|-------------------|--------------------------|
| Storage Temperature                                               |                   | -65°C to +150°C          |
| Surface Mount Lead Soldering Temperature                          | Standard Package  | 240°C 3 Seconds          |
|                                                                   | Lead-free Package | 260°C 3 Seconds          |
| Input Voltage with Respect to Ground on All Pins                  |                   | -0.5V to $V_{CC} + 0.5V$ |
| All Output Voltage with Respect to Ground                         |                   | -0.5V to $V_{CC} + 0.5V$ |
| $V_{CC}$                                                          |                   | -0.5V to +2.5V           |
| Electrostatic Discharge Voltage (Human Body Model) <sup>(2)</sup> |                   | -2000V to +2000V         |

**Notes:**

1. Applied conditions greater than those listed in “Absolute Maximum Ratings” may cause permanent damage to the device. This is a stress rating only and functional operation of the device at these or any other conditions above those indicated in the operational sections of this specification is not implied. Exposure to absolute maximum rating conditions for extended periods may affect reliability.
2. ANSI/ESDA/JEDEC JS-001

### 9.2 OPERATING RANGE

|                                             |                                                                   |
|---------------------------------------------|-------------------------------------------------------------------|
| Part Number                                 | IS25WP016/080/040/020                                             |
| Operating Temperature (Extended Grade E)    | -40°C to 105°C                                                    |
| Operating Temperature (Extended+ Grade E1)  | -40°C to 125°C                                                    |
| Operating Temperature (Automotive Grade A1) | -40°C to 85°C                                                     |
| Operating Temperature (Automotive Grade A2) | -40°C to 105°C                                                    |
| Operating Temperature (Automotive Grade A3) | -40°C to 125°C                                                    |
| $V_{CC}$ Power Supply                       | 1.65V (V <sub>MIN</sub> ) – 1.95V (V <sub>MAX</sub> ); 1.8V (Typ) |

**9.3 DC CHARACTERISTICS**

(Under operating range)

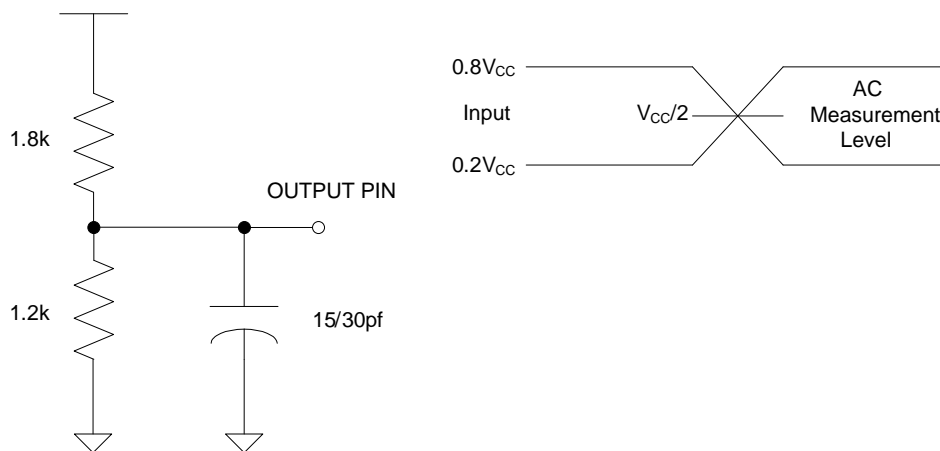
| Symbol                         | Parameter                                          | Condition                                                               | Min                   | Typ <sup>(2)</sup> | Max                   | Units |
|--------------------------------|----------------------------------------------------|-------------------------------------------------------------------------|-----------------------|--------------------|-----------------------|-------|
| I <sub>CC1</sub>               | V <sub>CC</sub> Active Read current <sup>(3)</sup> | NORD at 50MHz,                                                          |                       | 4                  | 9                     | mA    |
|                                |                                                    | FRD Single at 133MHz                                                    |                       | 6                  | 8                     |       |
|                                |                                                    | FRD Dual at 133MHz                                                      |                       | 8                  | 10                    |       |
|                                |                                                    | FRD Quad at 133MHz                                                      |                       | 10                 | 13                    |       |
|                                |                                                    | FRD Quad at 84MHz                                                       |                       | 8                  | 10                    |       |
|                                |                                                    | FRD Quad at 104MHz                                                      |                       | 9                  | 11                    |       |
|                                |                                                    | FRD Single DDR at 66MHz                                                 |                       | 6                  | 8                     |       |
|                                |                                                    | FRD Dual DDR at 66MHz                                                   |                       | 8                  | 10                    |       |
|                                |                                                    | FRD Quad DDR at 66MHz                                                   |                       | 10                 | 13                    |       |
| I <sub>CC2</sub>               | V <sub>CC</sub> Program Current                    | CE# = V <sub>CC</sub>                                                   | 85°C                  | 25                 | 28 <sup>(6)</sup>     | mA    |
|                                |                                                    |                                                                         | 105°C                 |                    | 29 <sup>(6)</sup>     |       |
|                                |                                                    |                                                                         | 125°C                 |                    | 30                    |       |
| I <sub>CC3</sub>               | V <sub>CC</sub> WRSR Current                       | CE# = V <sub>CC</sub>                                                   | 85°C                  | 25                 | 28 <sup>(6)</sup>     | mA    |
|                                |                                                    |                                                                         | 105°C                 |                    | 29 <sup>(6)</sup>     |       |
|                                |                                                    |                                                                         | 125°C                 |                    | 30                    |       |
| I <sub>CC4</sub>               | V <sub>CC</sub> Erase Current (4K/32K/64K)         | CE# = V <sub>CC</sub>                                                   | 85°C                  | 25                 | 28 <sup>(6)</sup>     | mA    |
|                                |                                                    |                                                                         | 105°C                 |                    | 29 <sup>(6)</sup>     |       |
|                                |                                                    |                                                                         | 125°C                 |                    | 30                    |       |
| I <sub>CC5</sub>               | V <sub>CC</sub> Erase Current (CE)                 | CE# = V <sub>CC</sub>                                                   | 85°C                  | 25                 | 28 <sup>(6)</sup>     | mA    |
|                                |                                                    |                                                                         | 105°C                 |                    | 29 <sup>(6)</sup>     |       |
|                                |                                                    |                                                                         | 125°C                 |                    | 30                    |       |
| I <sub>SB1</sub>               | V <sub>CC</sub> Standby Current CMOS               | CE# = V <sub>CC</sub> ,<br>CE#, RESET# <sup>(4)</sup> = V <sub>CC</sub> | 85°C                  | 8                  | 20 <sup>(6)</sup>     | μA    |
|                                |                                                    |                                                                         | 105°C                 |                    | 35 <sup>(6)</sup>     |       |
|                                |                                                    |                                                                         | 125°C                 |                    | 50                    |       |
| I <sub>SB2</sub>               | Deep power down current                            | CE# = V <sub>CC</sub> ,<br>CE#, RESET# <sup>(4)</sup> = V <sub>CC</sub> | 85°C                  | 1                  | 5 <sup>(6)</sup>      | μA    |
|                                |                                                    |                                                                         | 105°C                 |                    | 10 <sup>(6)</sup>     |       |
|                                |                                                    |                                                                         | 125°C                 |                    | 15                    |       |
| I <sub>LI</sub>                | Input Leakage Current                              | V <sub>IN</sub> = 0V to V <sub>CC</sub>                                 |                       |                    | ±1 <sup>(5)</sup>     | μA    |
| I <sub>LO</sub>                | Output Leakage Current                             | V <sub>IN</sub> = 0V to V <sub>CC</sub>                                 |                       |                    | ±1 <sup>(5)</sup>     | μA    |
| V <sub>IL</sub> <sup>(1)</sup> | Input Low Voltage                                  |                                                                         | -0.5                  |                    | 0.3V <sub>CC</sub>    | V     |
| V <sub>IH</sub> <sup>(1)</sup> | Input High Voltage                                 |                                                                         | 0.7V <sub>CC</sub>    |                    | V <sub>CC</sub> + 0.3 | V     |
| V <sub>OL</sub>                | Output Low Voltage                                 | I <sub>OL</sub> = 100 μA                                                |                       |                    | 0.2                   | V     |
| V <sub>OH</sub>                | Output High Voltage                                | I <sub>OH</sub> = -100 μA                                               | V <sub>CC</sub> - 0.2 |                    |                       | V     |

**Notes:**

- Maximum DC voltage on input or I/O pins is V<sub>CC</sub> + 0.5V. During voltage transitions, input or I/O pins may overshoot V<sub>CC</sub> by + 2.0V for a period of time not to exceed 20ns. Minimum DC voltage on input or I/O pins is -0.5V. During voltage transitions, input or I/O pins may undershoot GND by -2.0V for a period of time not to exceed 20ns.
- Typical values are included for reference only and are not guaranteed or tested. Typical values are measured at V<sub>CC</sub> = V<sub>CC</sub> (Typ), TA=25°C.
- Outputs are unconnected during reading data so that output switching current is not included.
- Only for the dedicated RESET# pin.
- The Max of I<sub>LI</sub> and I<sub>LO</sub> for the dedicated RESET# pin is ±2μA.
- These parameters are characterized and are not 100% tested.

**9.4 AC MEASUREMENT CONDITIONS**

| Symbol | Parameter                        | Min                                      | Max | Units |
|--------|----------------------------------|------------------------------------------|-----|-------|
| CL     | Load Capacitance up to 104MHz    |                                          | 30  | pF    |
|        | Load Capacitance up to 133MHz    |                                          | 15  | pF    |
| TR,TF  | Input Rise and Fall Times        |                                          | 5   | ns    |
| VIN    | Input Pulse Voltages             | 0.2V <sub>CC</sub> to 0.8V <sub>CC</sub> |     | V     |
| VREFI  | Input Timing Reference Voltages  | 0.3V <sub>CC</sub> to 0.7V <sub>CC</sub> |     | V     |
| VREFO  | Output Timing Reference Voltages | 0.5V <sub>CC</sub>                       |     | V     |

**Figure 9.1 Output test load & AC measurement I/O Waveform**

**9.5 PIN CAPACITANCE (TA = 25°C, VCC=1.8V, 1MHZ)**

| Symbol              | Parameter                             | Test Condition           | Min | Typ | Max | Units |
|---------------------|---------------------------------------|--------------------------|-----|-----|-----|-------|
| C <sub>IN</sub>     | Input Capacitance (CE#, SCK)          | V <sub>IN</sub> = 0V     | -   | -   | 6   | pF    |
| C <sub>IN/OUT</sub> | Input/Output Capacitance (other pins) | V <sub>IN/OUT</sub> = 0V | -   | -   | 8   | pF    |

**Note:**

1. These parameters are characterized and not 100% tested.

**9.6 AC CHARACTERISTICS**

(Under operating range, refer to section 9.4 for AC measurement conditions)

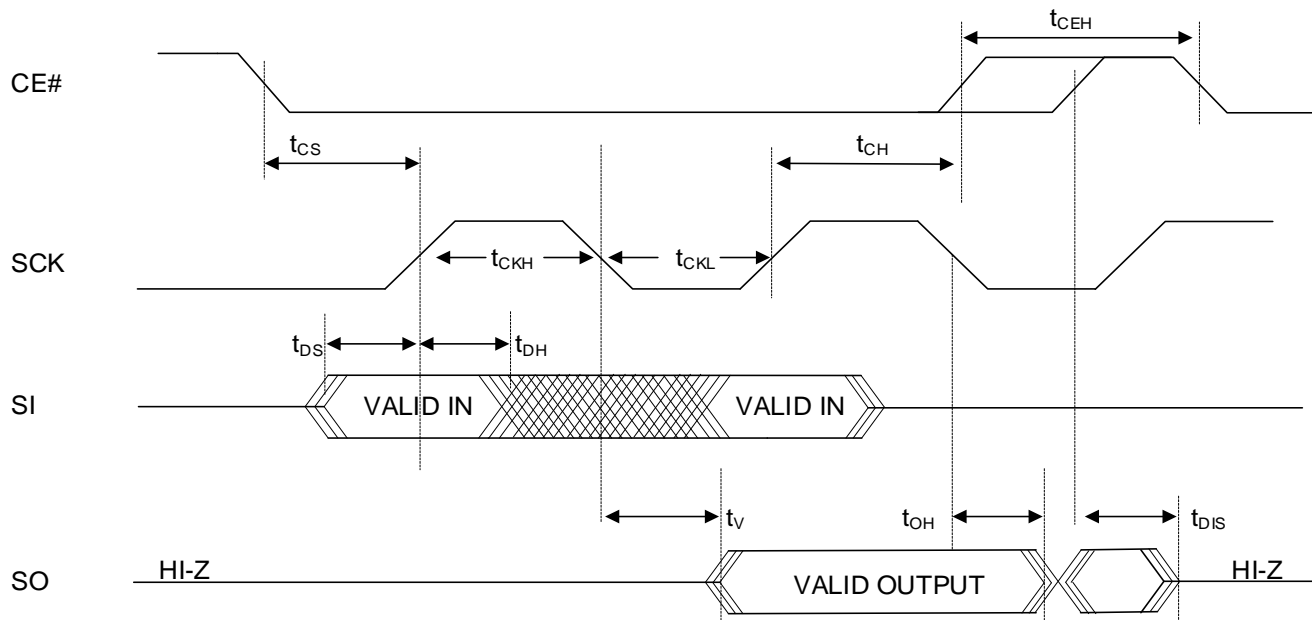
| Symbol                                              | Parameter                                                                                            | Min                  | Typ <sup>(3)</sup>           | Max  | Units |    |
|-----------------------------------------------------|------------------------------------------------------------------------------------------------------|----------------------|------------------------------|------|-------|----|
| f <sub>CT</sub>                                     | Clock Frequency for fast read mode:<br>SPI, Dual, Dual I/O, Quad I/O, and QPI.                       | 0                    |                              | 133  | MHz   |    |
| f <sub>C2</sub> , f <sub>T2</sub> , f <sub>Q2</sub> | Clock Frequency for fast read DTR:<br>SPI DTR, Dual DTR, Dual I/O DTR, Quad I/O DTR, and<br>QPI DTR. | 0                    |                              | 66   | MHz   |    |
| f <sub>C</sub>                                      | Clock Frequency for read mode SPI                                                                    | 0                    |                              | 50   | MHz   |    |
| t <sub>CLCH</sub> <sup>(1)</sup>                    | SCK Rise Time (peak to peak)                                                                         | 0.1                  |                              |      | V/ns  |    |
| t <sub>CHCL</sub> <sup>(1)</sup>                    | SCK Fall Time ( peak to peak)                                                                        | 0.1                  |                              |      | V/ns  |    |
| t <sub>CKH</sub>                                    | SCK High Time                                                                                        | For read mode        | 45% f <sub>C</sub>           |      | ns    |    |
|                                                     |                                                                                                      | For others           | 45% f <sub>CT/C2/T2/Q2</sub> |      |       |    |
| t <sub>CKL</sub>                                    | SCK Low Time                                                                                         | For read mode        | 45% f <sub>C</sub>           |      | ns    |    |
|                                                     |                                                                                                      | For others           | 45% f <sub>CT/C2/T2/Q2</sub> |      |       |    |
| t <sub>CEH</sub>                                    | CE# High Time                                                                                        | 7                    |                              |      | ns    |    |
| t <sub>CS</sub>                                     | CE# Setup Time                                                                                       | 5                    |                              |      | ns    |    |
| t <sub>CH</sub>                                     | CE# Hold Time                                                                                        | 6                    |                              |      | ns    |    |
| t <sub>DS</sub>                                     | Data In Setup Time                                                                                   | Normal Mode          | 2                            |      | ns    |    |
|                                                     |                                                                                                      | DTR Mode             | 1.5                          |      |       |    |
| t <sub>DH</sub>                                     | Data in Hold Time                                                                                    | Normal Mode          | 2                            |      | ns    |    |
|                                                     |                                                                                                      | DTR Mode             | 1.5                          |      |       |    |
| t <sub>V</sub>                                      | Output Valid                                                                                         | @ 133MHz (CL = 15pF) |                              | 7    | ns    |    |
|                                                     |                                                                                                      | @ 104MHz (CL = 30pF) |                              | 8    |       |    |
| t <sub>OH</sub>                                     | Output Hold Time                                                                                     | 2                    |                              |      | ns    |    |
| t <sub>DIS</sub> <sup>(1)</sup>                     | Output Disable Time                                                                                  |                      |                              | 8    | ns    |    |
| t <sub>HLCH</sub>                                   | HOLD Active Setup Time relative to SCK                                                               | 2                    |                              |      | ns    |    |
| t <sub>CHHH</sub>                                   | HOLD Active Hold Time relative to SCK                                                                | 2                    |                              |      | ns    |    |
| t <sub>HHCH</sub>                                   | HOLD Not Active Setup Time relative to SCK                                                           | 2                    |                              |      | ns    |    |
| t <sub>CHHL</sub>                                   | HOLD Not Active Hold Time relative to SCK                                                            | 2                    |                              |      | ns    |    |
| t <sub>LZ</sub> <sup>(1)</sup>                      | HOLD to Output Low Z                                                                                 |                      |                              | 12   | ns    |    |
| t <sub>HZ</sub> <sup>(1)</sup>                      | HOLD to Output High Z                                                                                |                      |                              | 12   | ns    |    |
| t <sub>EC</sub>                                     | Sector Erase Time (4Kbyte)                                                                           |                      |                              | 70   | 300   | ms |
|                                                     | Block Erase Time (32Kbyte)                                                                           |                      |                              | 0.1  | 0.5   | s  |
|                                                     | Block Erase time (64Kbyte)                                                                           |                      |                              | 0.15 | 1.0   | s  |
|                                                     | Chip Erase Time                                                                                      | 2Mb                  |                              | 0.5  | 1.7   | s  |
|                                                     |                                                                                                      | 4Mb                  |                              | 1    | 3     |    |
| 8Mb                                                 |                                                                                                      |                      | 2                            | 6    |       |    |
| 16Mb                                                |                                                                                                      |                      | 4                            | 12   |       |    |
| t <sub>PP</sub>                                     | Page Program Time                                                                                    |                      | 0.2                          | 0.8  | ms    |    |

| Symbol                            | Parameter                    | Min              | Typ <sup>(3)</sup> | Max | Units |
|-----------------------------------|------------------------------|------------------|--------------------|-----|-------|
| t <sub>RES1</sub> <sup>(1)</sup>  | Release deep power down      |                  |                    | 5   | μs    |
| t <sub>DP</sub> <sup>(1)</sup>    | Deep power down              |                  |                    | 3   | μs    |
| t <sub>w</sub>                    | Write Status Register time   |                  | 2                  | 15  | ms    |
| t <sub>SUS</sub> <sup>(1)</sup>   | Suspend to read ready        |                  |                    | 100 | μs    |
| t <sub>SRST</sub> <sup>(1)</sup>  | Software Reset recovery time |                  |                    | 100 | μs    |
| t <sub>RESET</sub> <sup>(1)</sup> | RESET# pin low pulse width   | 1 <sup>(2)</sup> |                    |     | μs    |
| t <sub>HWRST</sub> <sup>(1)</sup> | Hardware Reset recovery time |                  |                    | 100 | μs    |

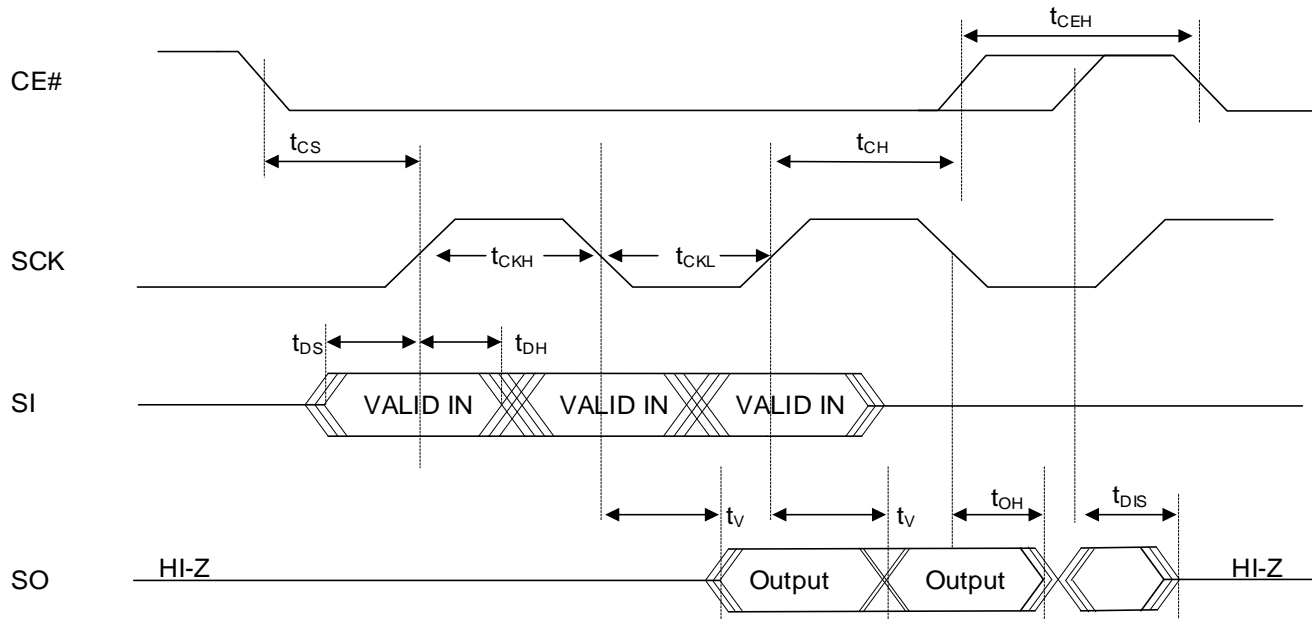
**Notes:**

1. These parameters are characterized and not 100% tested.
2. If the RESET# pulse is driven for a period shorter than 1μs (t<sub>RESET</sub> minimum), it may still reset the device, however the 1μs minimum period is recommended to ensure reliable operation.
3. Typical values are included for reference only and are not guaranteed or tested. Typical values are measured at V<sub>cc</sub> = V<sub>cc</sub> (Typ), TA=25°C.

## 9.7 SERIAL INPUT/OUTPUT TIMING

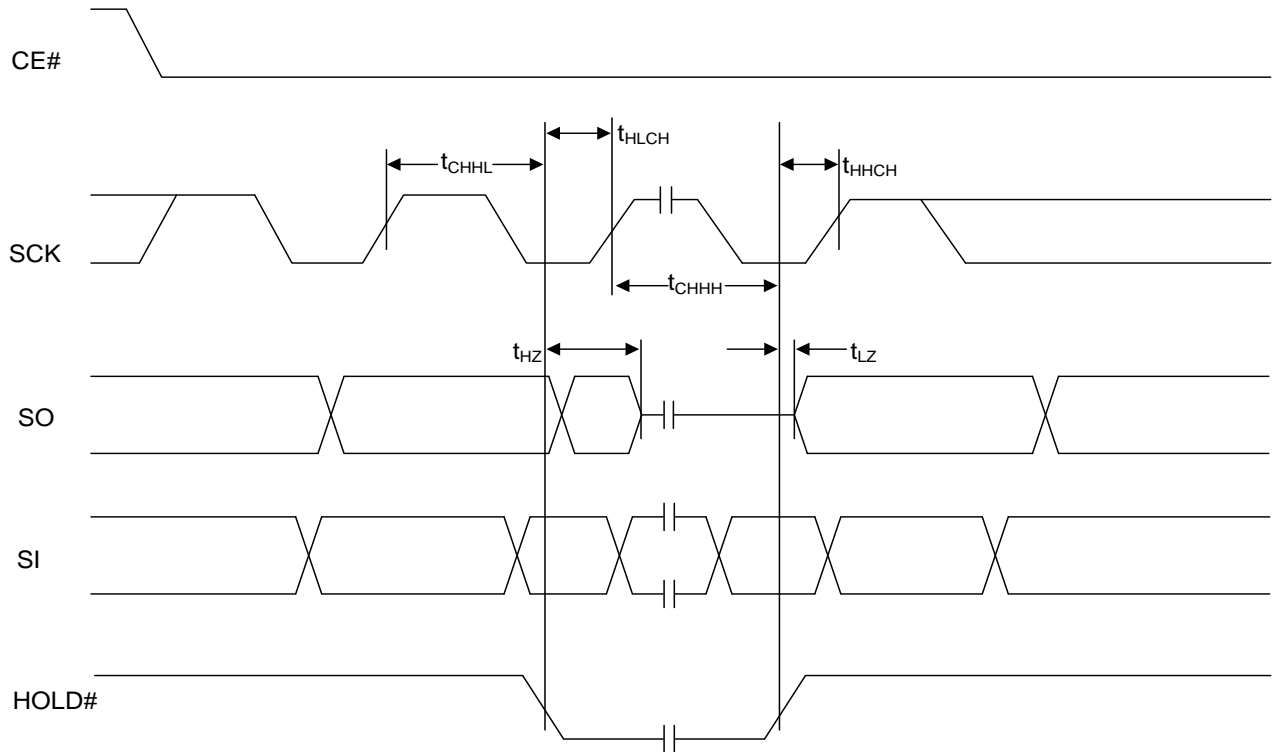
 Figure 9.2 SERIAL INPUT/OUTPUT TIMING (Normal Mode) <sup>(1)</sup>


Note1: For SPI Mode 0 (0,0)

 Figure 9.3 SERIAL INPUT/OUTPUT TIMING (DTR Mode) <sup>(1)</sup>


Note1: For SPI Mode 0 (0,0)

Figure 9.4 HOLD TIMING

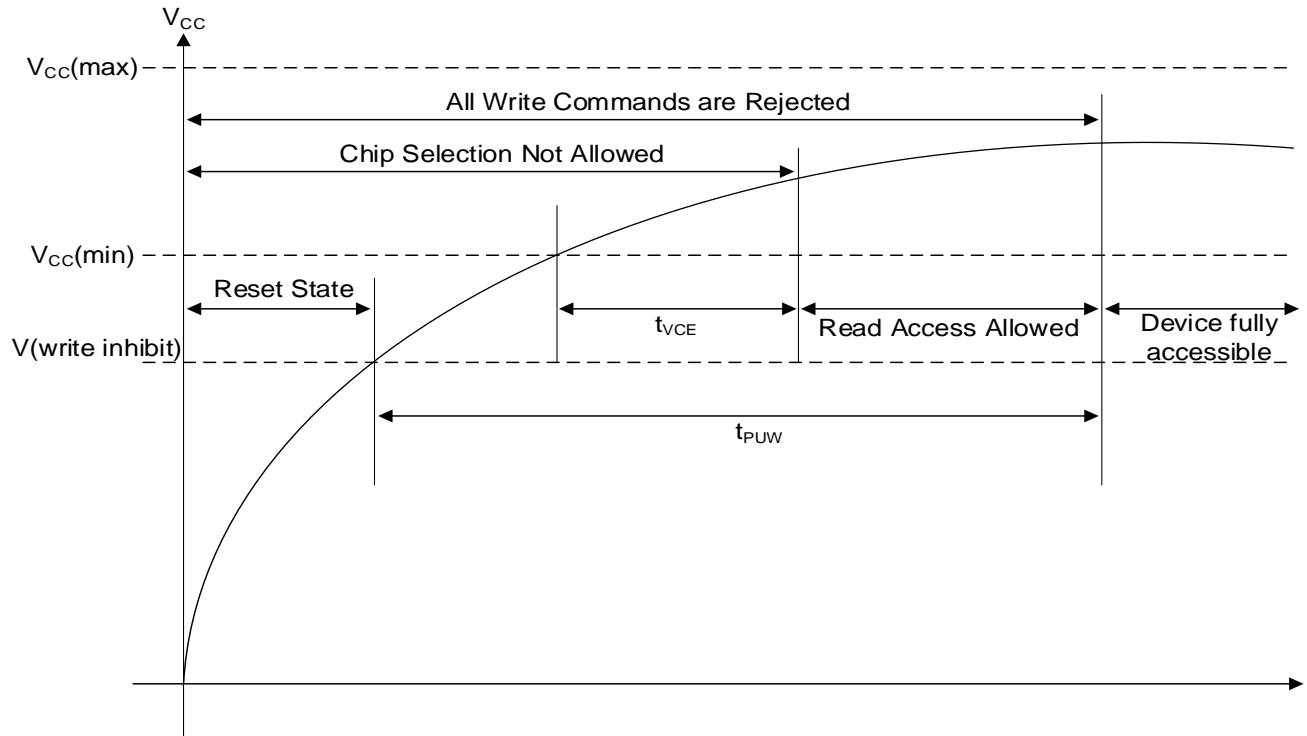




### 9.8 POWER-UP AND POWER-DOWN

At Power-up and Power-down, the device must be NOT SELECTED until Vcc reaches at the right level. (Adding a simple pull-up resistor on CE# is recommended.)

#### Power up timing



| Symbol          | Parameter                                | Min. | Max | Unit |
|-----------------|------------------------------------------|------|-----|------|
| $t_{VCE}^{(1)}$ | Vcc(min) to CE# Low                      | 1    |     | ms   |
| $t_{PUW}^{(1)}$ | Power-up time delay to write instruction | 1    | 10  | ms   |
| $V_{WI}^{(1)}$  | Write Inhibit Voltage                    |      | 1.4 | V    |

**Note:** These parameters are characterized and not 100% tested.

**9.9 PROGRAM/ERASE PERFORMANCE**

| Parameter                  | Typ  | Max | Unit |
|----------------------------|------|-----|------|
| Sector Erase Time (4Kbyte) | 70   | 300 | ms   |
| Block Erase Time (32Kbyte) | 0.1  | 0.5 | s    |
| Block Erase Time (64Kbyte) | 0.15 | 1.0 | s    |
| Chip Erase Time            | 2Mb  | 0.5 | s    |
|                            | 4Mb  | 1   |      |
|                            | 8Mb  | 2   |      |
|                            | 16Mb | 4   |      |
| Page Programming Time      | 0.2  | 0.8 | ms   |
| Byte Program               | 8    | 40  | μs   |

**Note:** These parameters are characterized and not 100% tested.

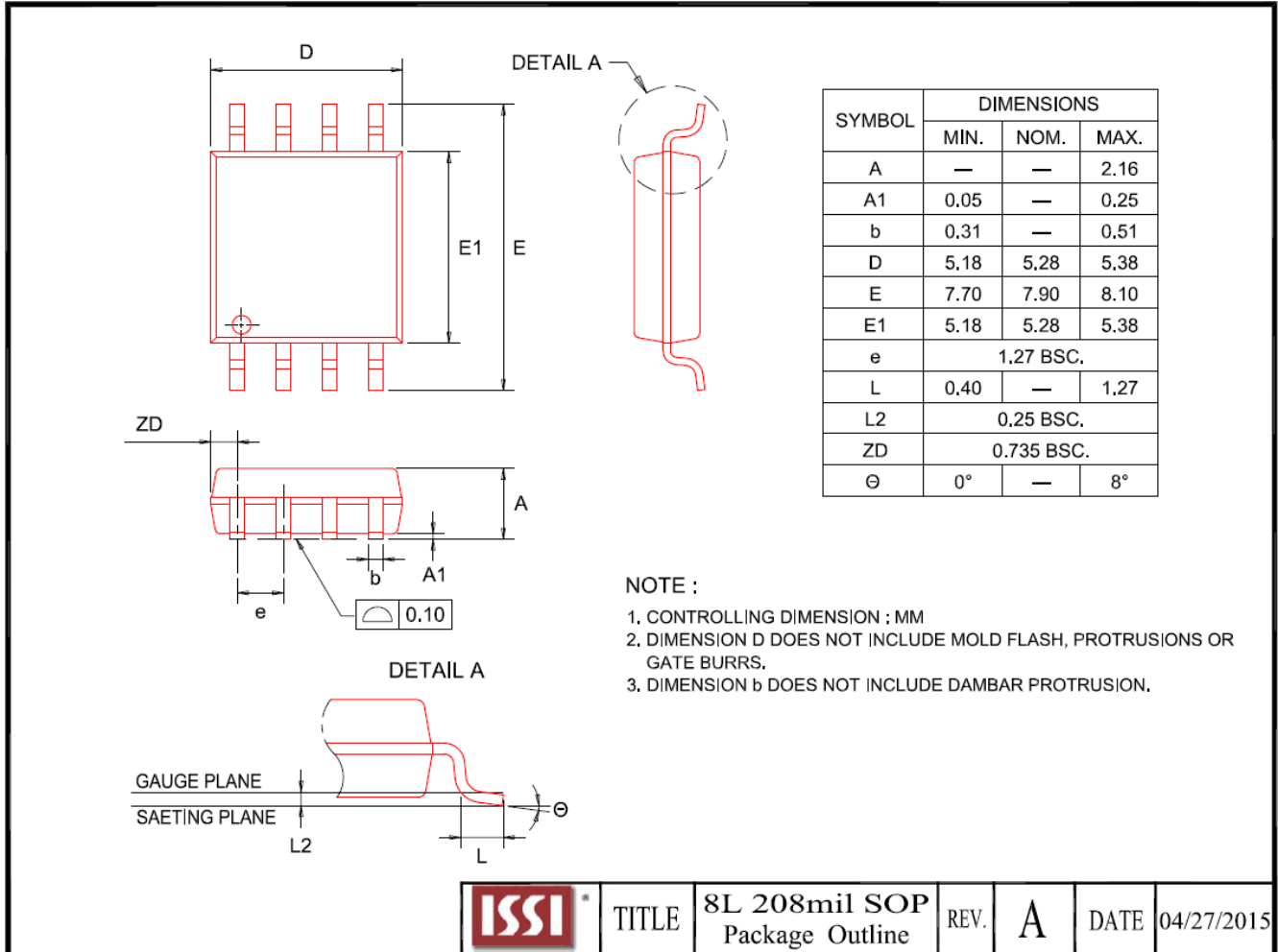
**9.10 RELIABILITY CHARACTERISTICS**

| Parameter      | Min     | Max  | Unit   | Test Method         |
|----------------|---------|------|--------|---------------------|
| Endurance      | 100,000 | -    | Cycles | JEDEC Standard A117 |
| Data Retention | 20      | -    | Years  | JEDEC Standard A117 |
| Latch-Up       | -100    | +100 | mA     | JEDEC Standard 78   |

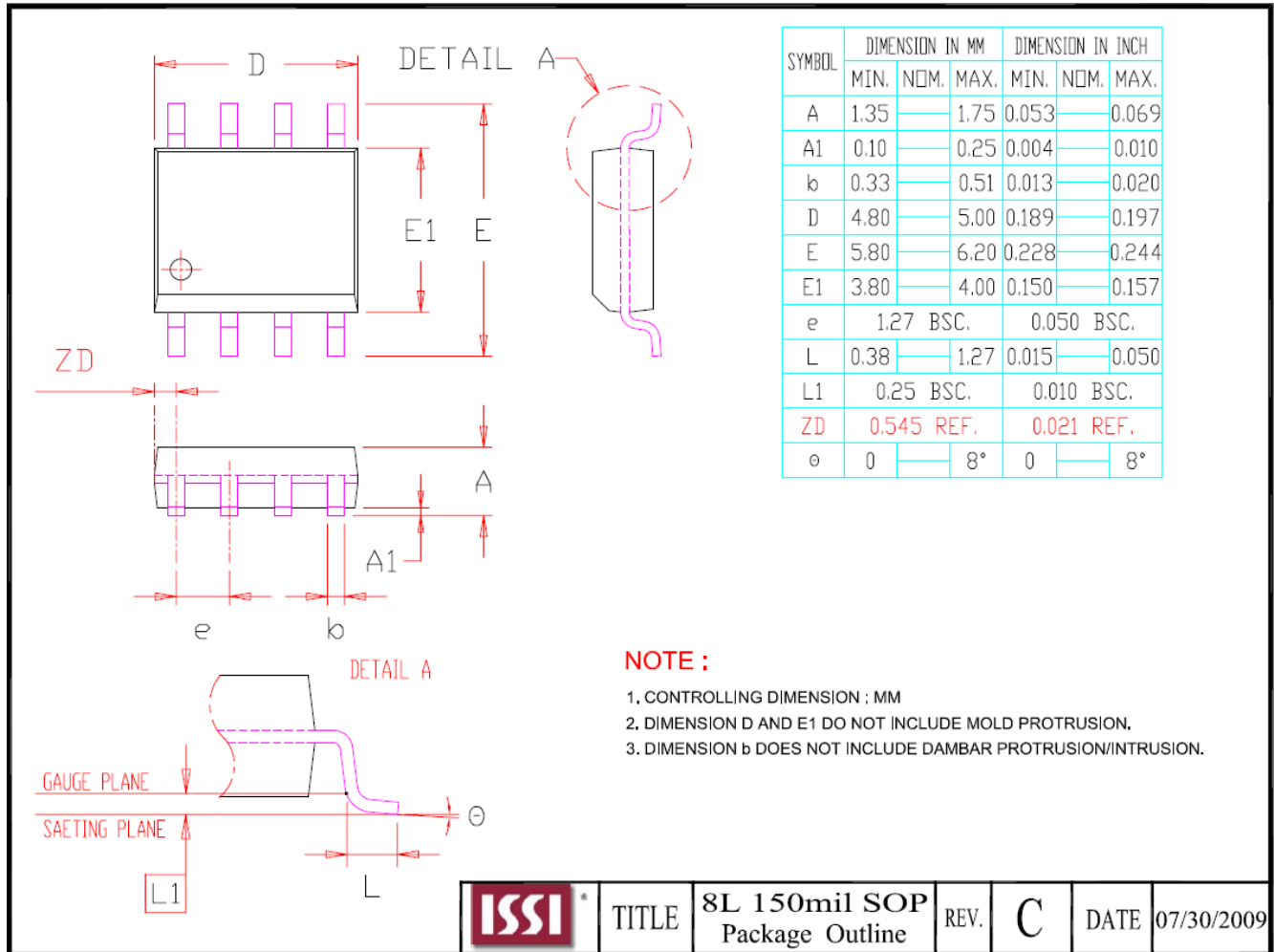
**Note:** These parameters are characterized and not 100% tested.

10. PACKAGE TYPE INFORMATION

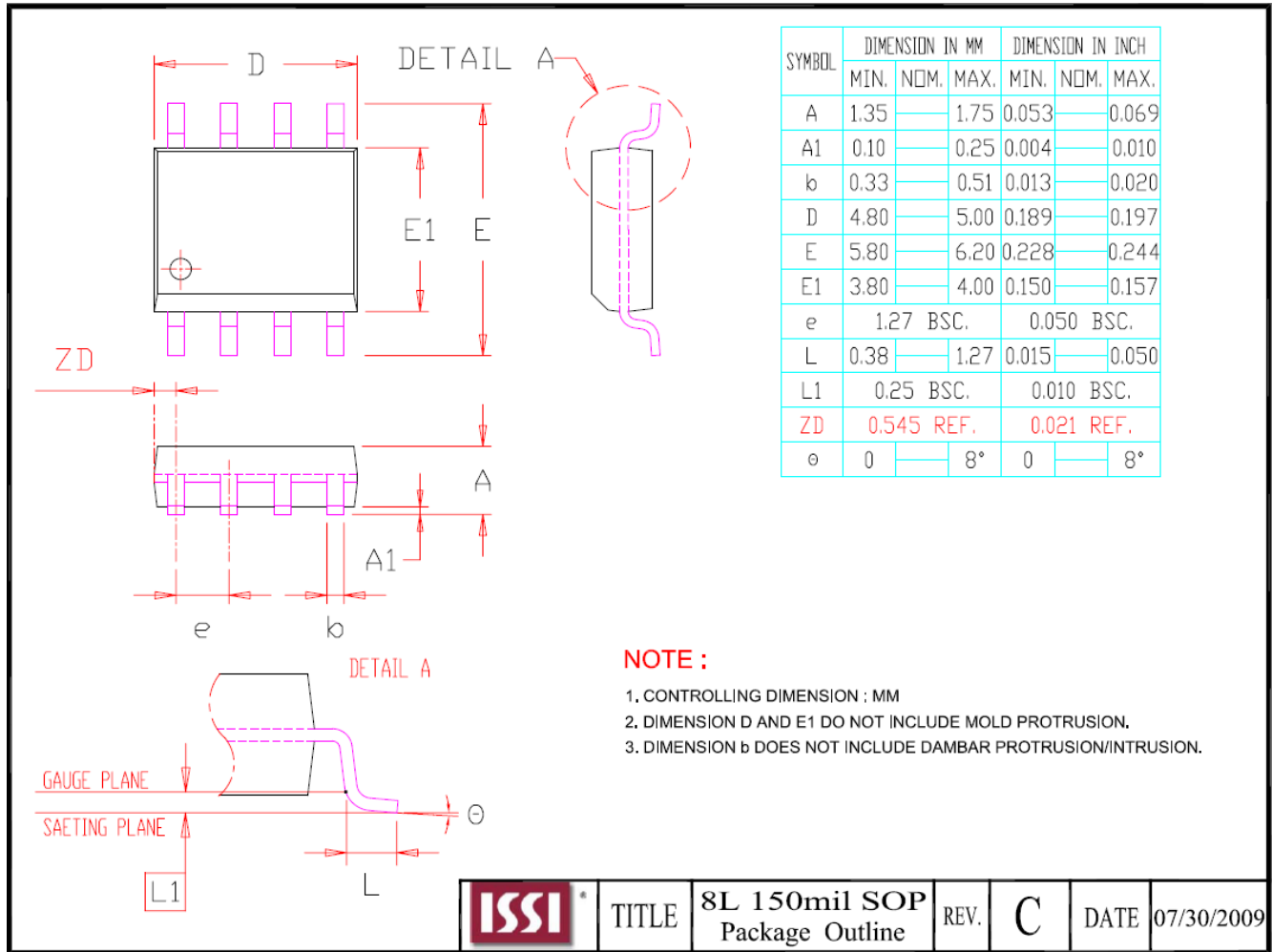
10.1 8-PIN JEDEC 208MIL BROAD SMALL OUTLINE INTEGRATED CIRCUIT (SOIC) PACKAGE (B)



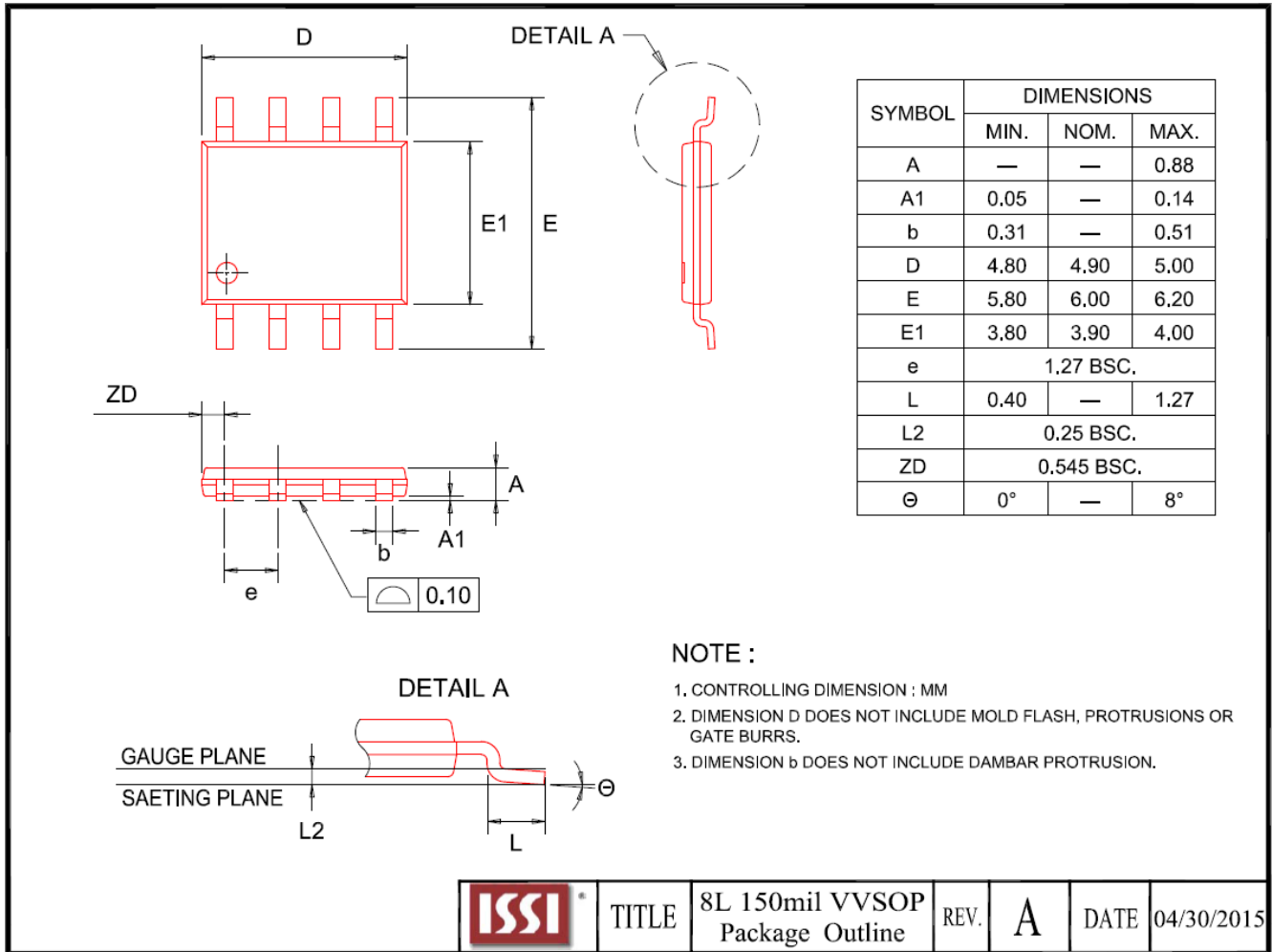
Note: Lead co-planarity is 0.1mm.

**10.2 8-PIN JEDEC 150MIL BROAD SMALL OUTLINE INTEGRATED CIRCUIT (SOIC) PACKAGE (N)**


Note: Lead co-planarity is 0.08mm.

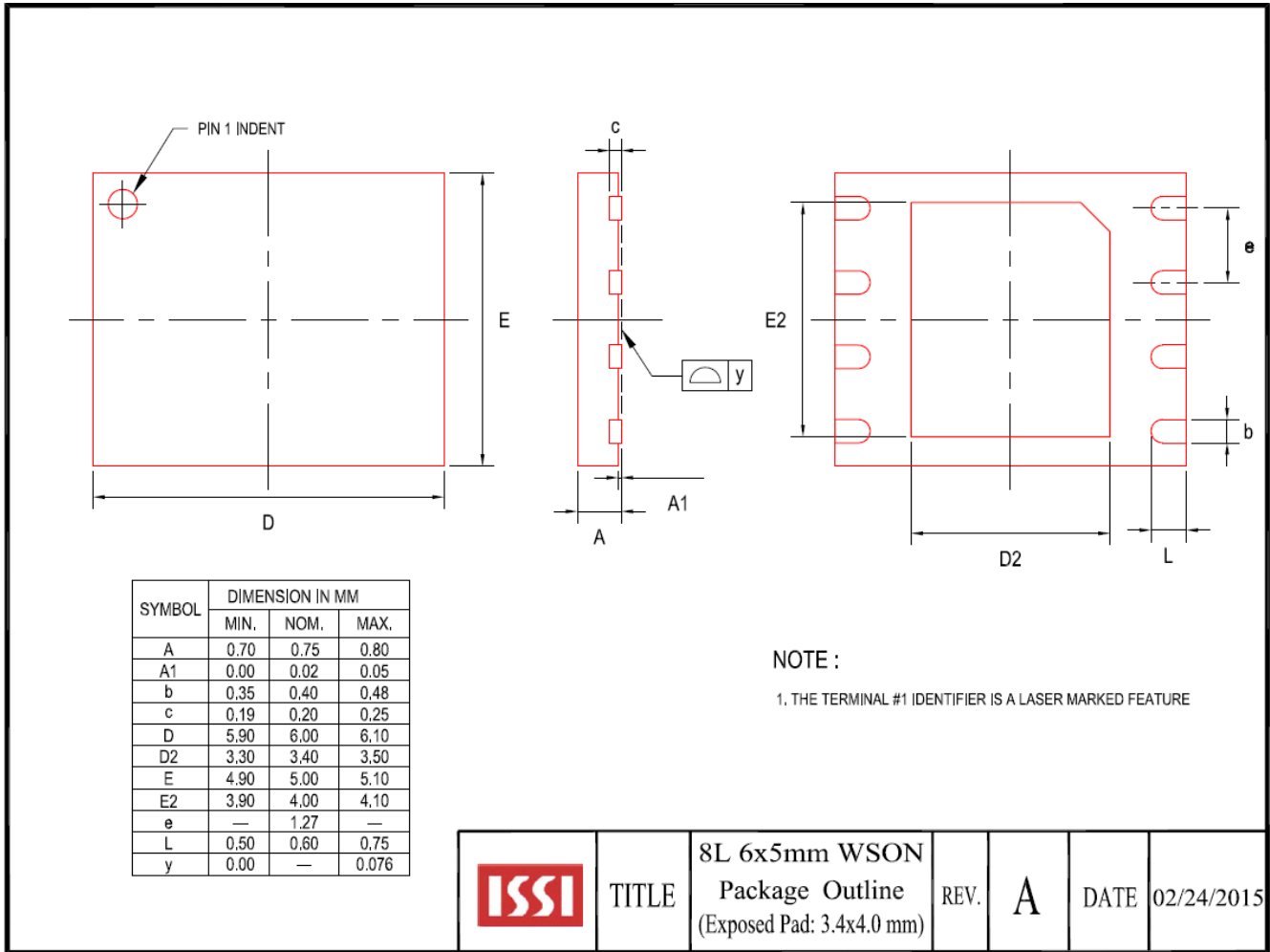
**10.3 8-PIN TSSOP PACKAGE (D)**


Note: Lead co-planarity is 0.08mm.

**10.4 8-PIN 150MIL VVSOP PACKAGE (V)**


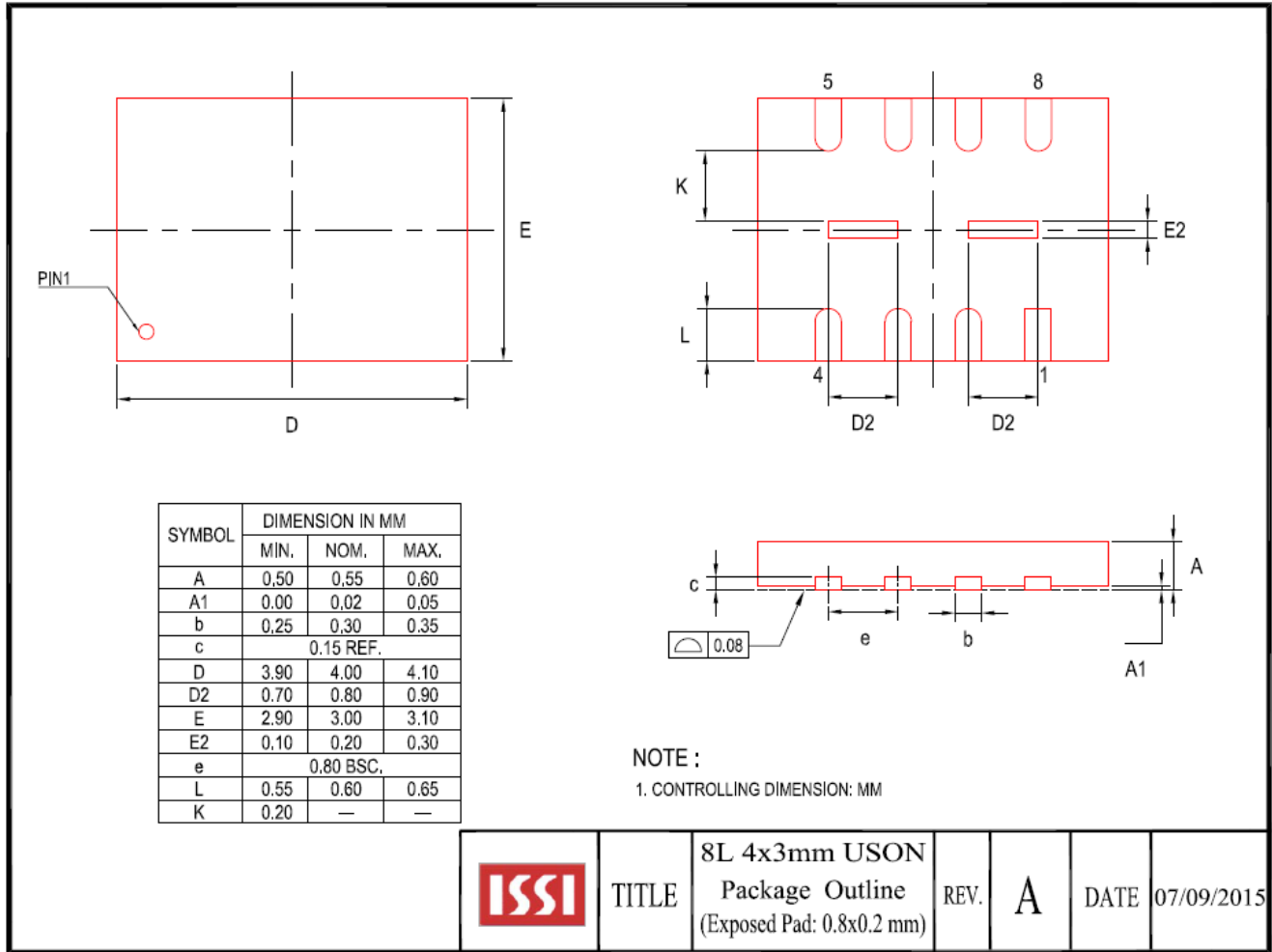
**Note:** Lead co-planarity is 0.08mm.

10.5 8-CONTACT ULTRA-THIN SMALL OUTLINE NO-LEAD (WSON) PACKAGE 6X5MM (K)



Note: Lead co-planarity is 0.08mm.

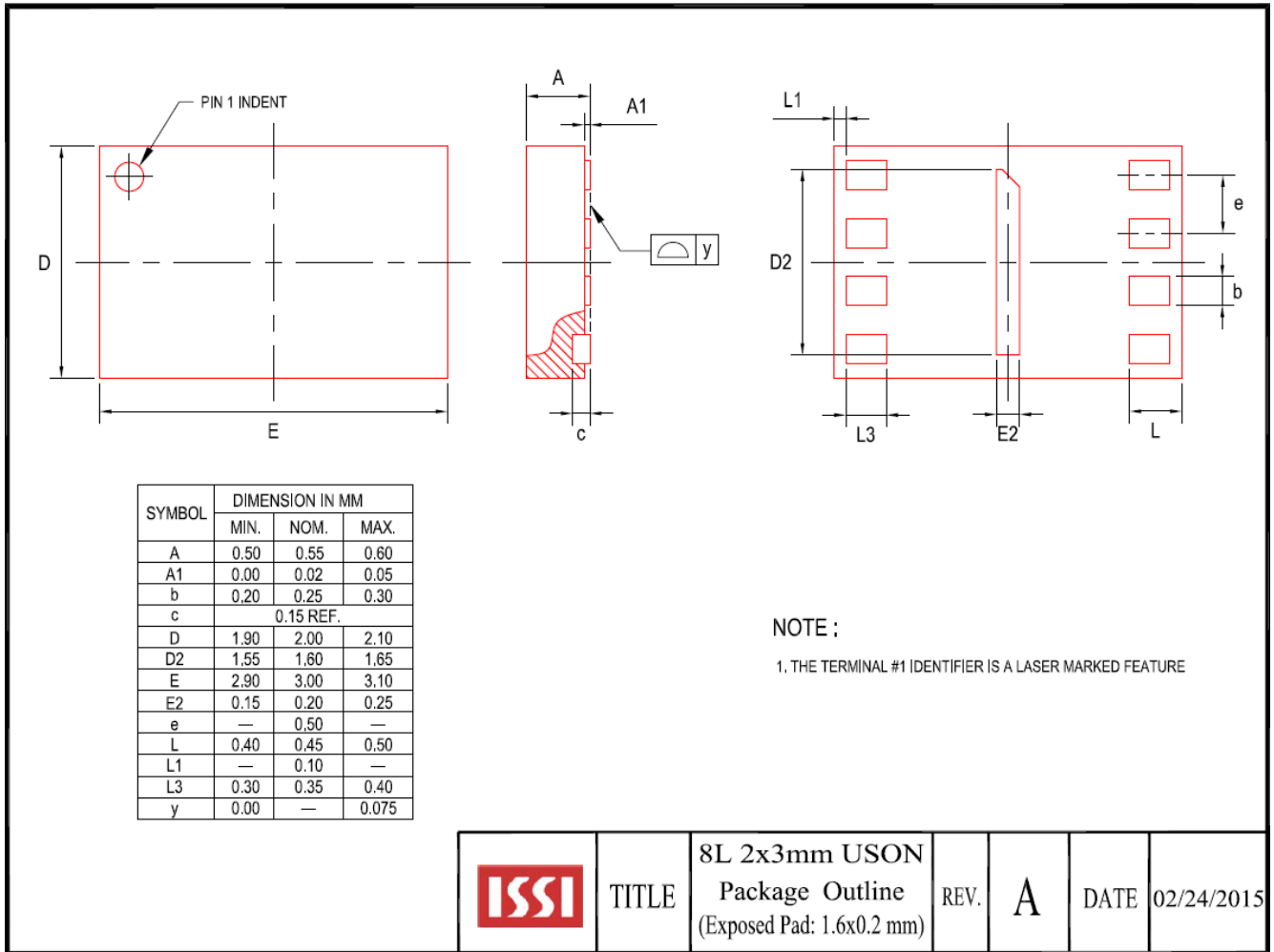
10.6 8-CONTACT ULTRA-THIN SMALL OUTLINE NO-LEAD (USON) PACKAGE 4X3MM (T)



Note: Lead co-planarity is 0.08mm.

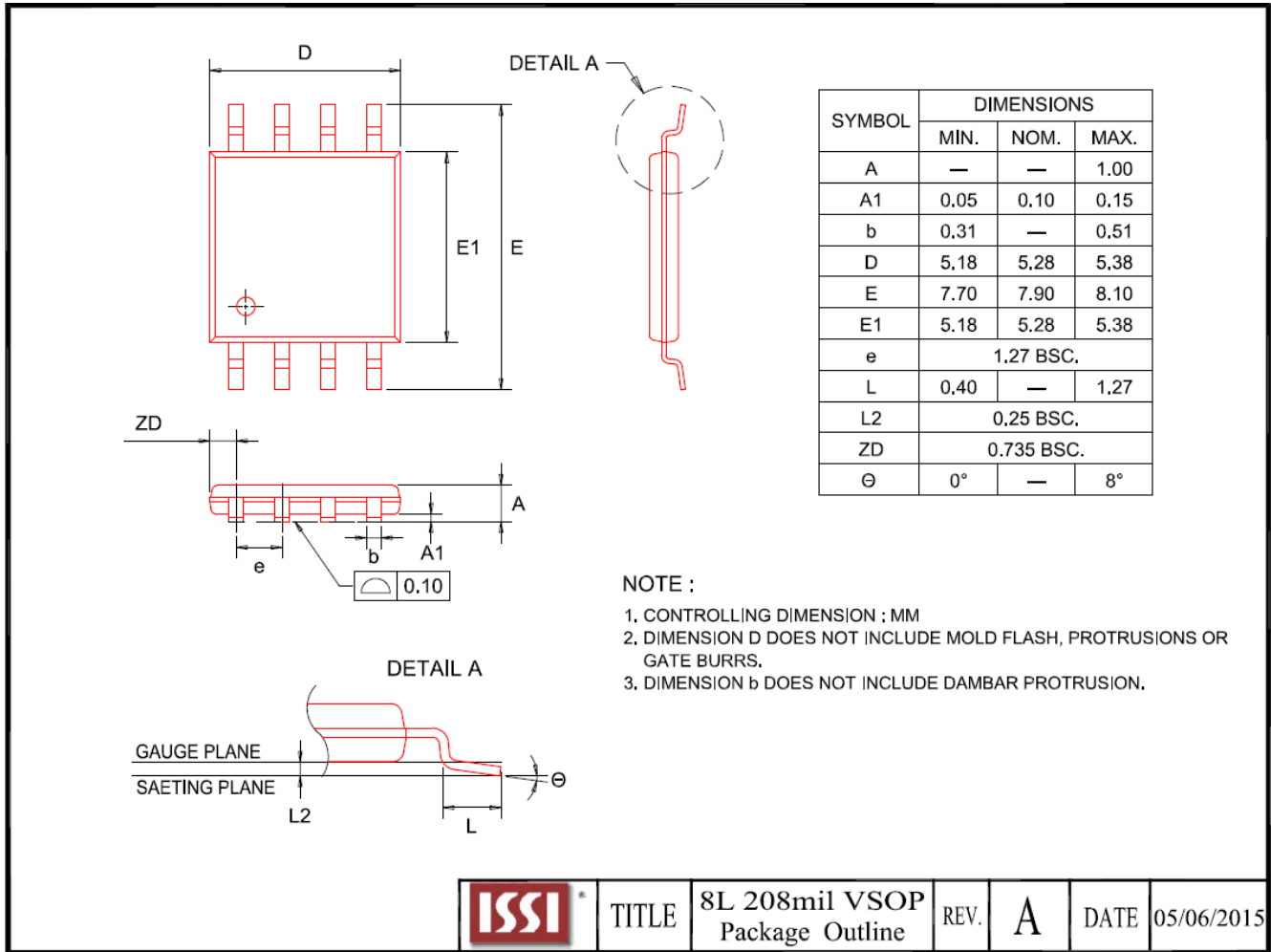


10.7 8-CONTACT ULTRA-THIN SMALL OUTLINE NO-LEAD (USON) PACKAGE 2X3MM (U)



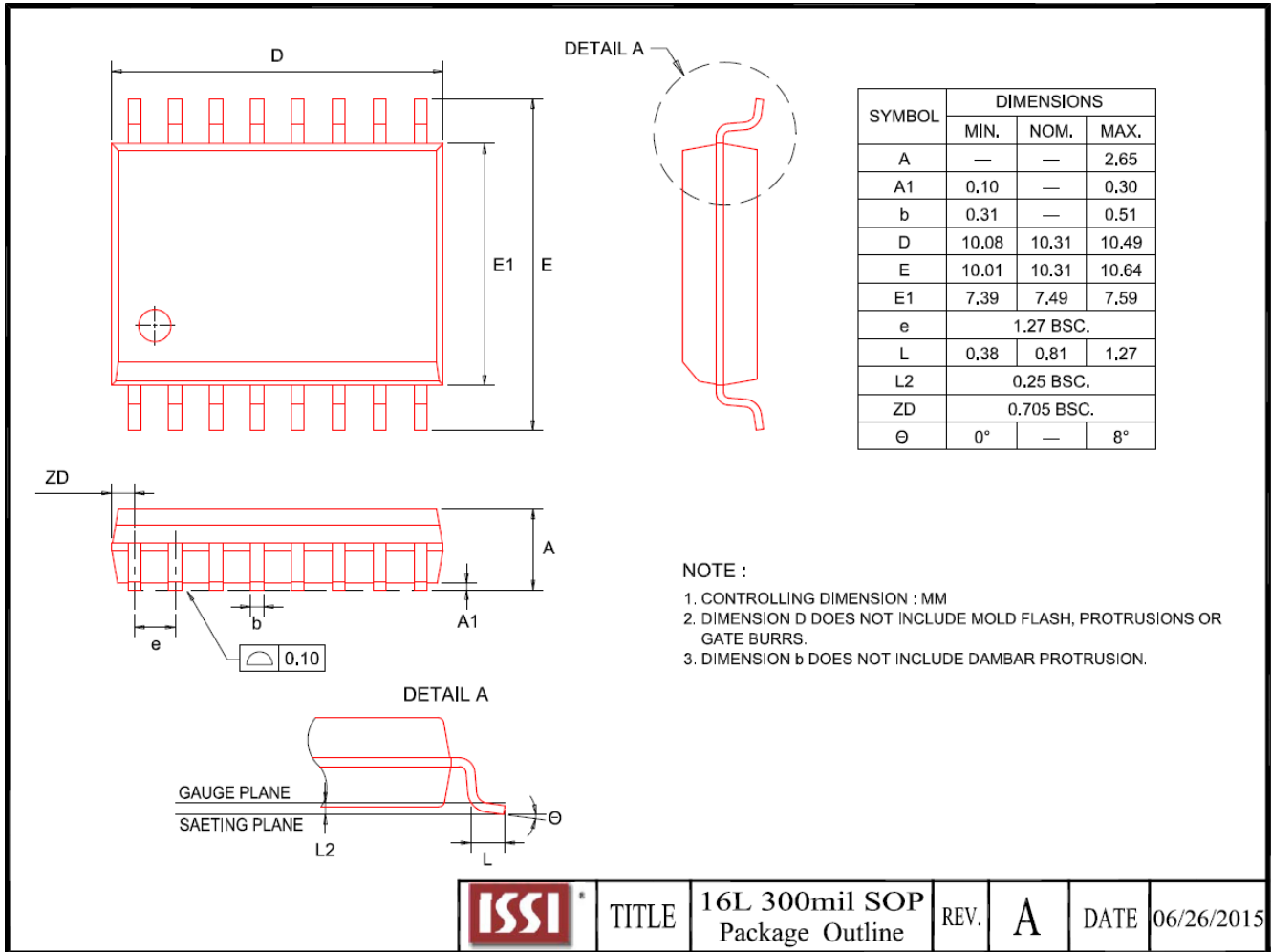
Note: Lead co-planarity is 0.08mm.

10.8 8-PIN 208MIL VSOP PACKAGE (F)



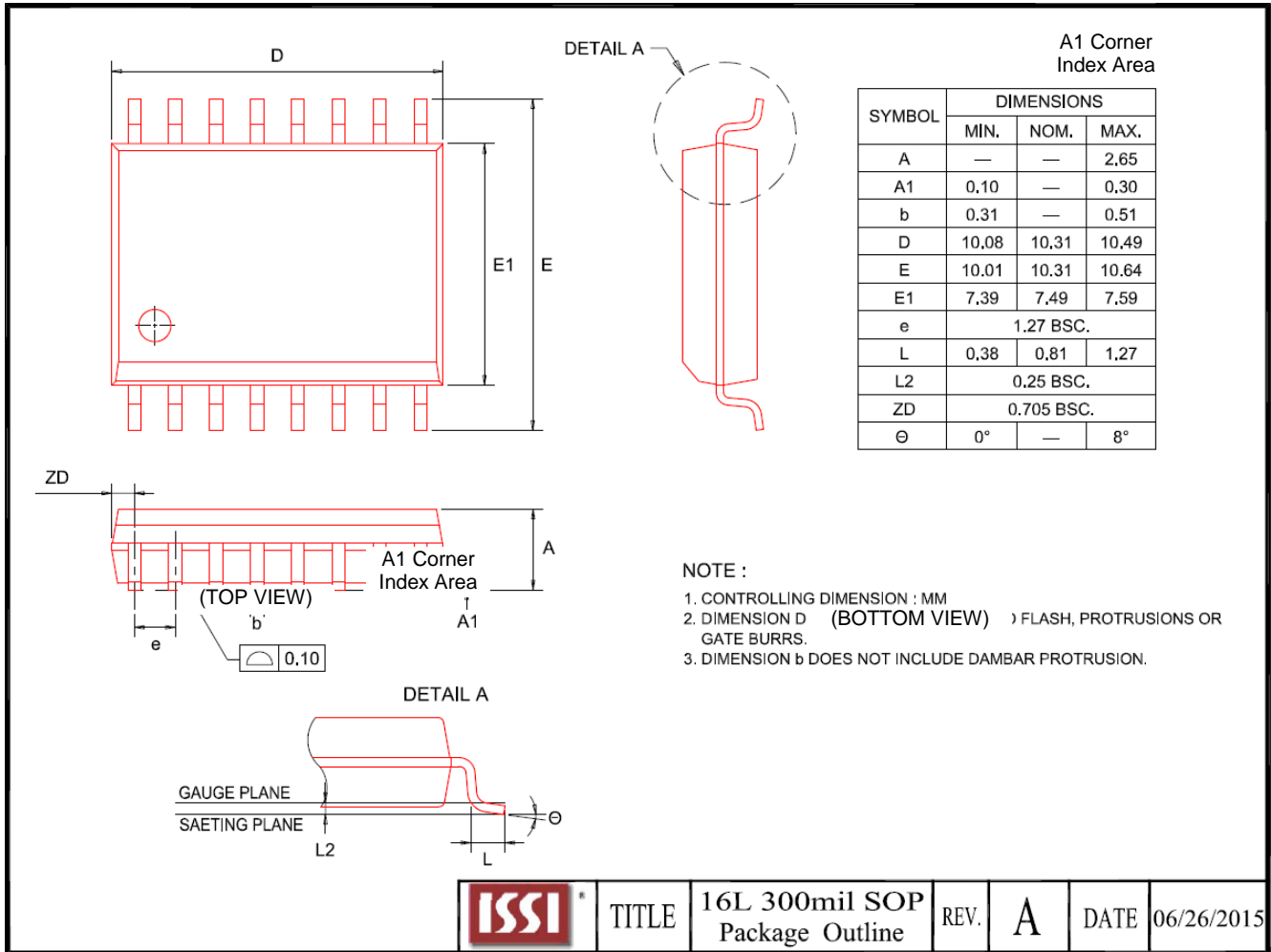
Note: Lead co-planarity is 0.1mm.

10.9 16-LEAD PLASTIC SMALL OUTLINE PACKAGE (300 MILS BODY WIDTH) (M)



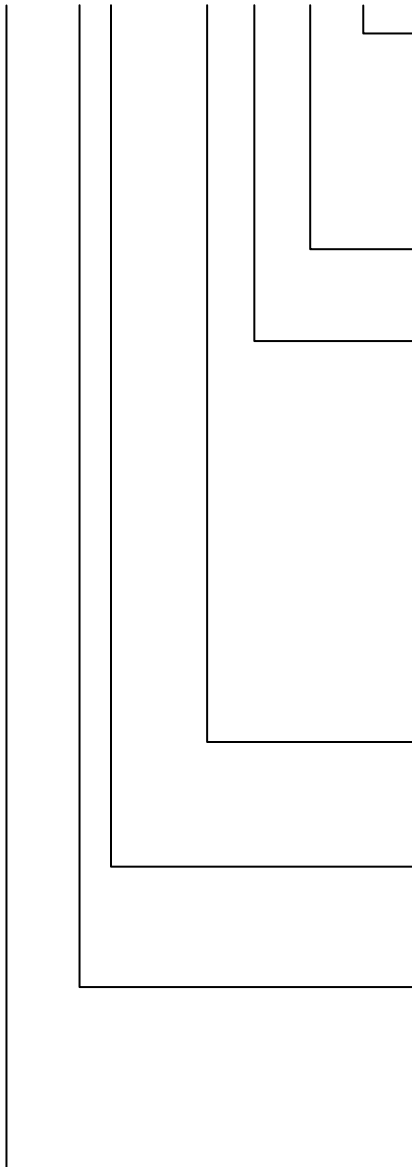
Note: Lead co-planarity is 0.08mm.

10.10 24-BALL THIN PROFILE FINE PITCH BGA 6X8MM (G)



Note: Lead co-planarity is 0.08mm.

|  |       |                                |      |   |      |            |
|--|-------|--------------------------------|------|---|------|------------|
|  | TITLE | 16L 300mil SOP Package Outline | REV. | A | DATE | 06/26/2015 |
|--|-------|--------------------------------|------|---|------|------------|

**11. ORDERING INFORMATION - Valid Part Numbers**
**IS25WP016 - J B L E**

**TEMPERATURE RANGE**

E = Extended (-40°C to +105°C)  
 E1 = Extended+ (-40°C to +125°C)  
 A1 = Automotive Grade (-40°C to +85°C)  
 A2 = Automotive Grade (-40°C to +105°C)  
 A3 = Automotive Grade (-40°C to +125°C)

**PACKAGING CONTENT**

L = RoHS compliant

**PACKAGE Type<sup>(1),(2)</sup>**

B = 8-pin SOIC 208mil  
 N = 8-pin SOIC 150mil  
 D = 8-pin TSSOP  
 V = 8-pin VVSOP 150mil  
 K = 8-contact WSON 6x5mm  
 T = 8-contact USON 4x3mm  
 U = 8-contact USON 2x3mm  
 F = 8-pin VSOP 208mil  
 M = 16-pin SOIC 300mil  
 G = 24-ball TFBGA 6x8mm  
 W = KGD (Call Factory)

**Option**

J = Standard  
 R = Dedicated RESET# pin option for 16-pin SOIC and 24-ball TFBGA

**Die Revision**

Blank = First Revision

**Density**

016 = 16 Megabit  
 080 = 8 Megabit  
 040 = 4 Megabit  
 020 = 2 Megabit

**BASE PART NUMBER**

**IS = Integrated Silicon Solution Inc.**  
 25WP = FLASH, 1.65V ~ 1.95V, QPI

**Notes:**

1. IS25WP016 (not available in D) and IS25WP080/040 (not available in D, M, G) and IS25WP020 (not available in T, F, M, G)
2. Call Factory for WLCSP package or other package options available

| Density         | Frequency (MHz) | Order Part Number <sup>(1)</sup>                 |                 | Package                             |  |
|-----------------|-----------------|--------------------------------------------------|-----------------|-------------------------------------|--|
| 16Mb            | 133             | IS25WP016-JBLE                                   | IS25WP016-JBLE1 | 8-pin SOIC 208mil                   |  |
|                 |                 | IS25WP016-JNLE                                   | IS25WP016-JNLE1 | 8-pin SOIC 150mil                   |  |
|                 |                 | IS25WP016-JVLE                                   | IS25WP016-JVLE1 | 8-pin VVSOP 150mil                  |  |
|                 |                 | IS25WP016-JKLE                                   | IS25WP016-JKLE1 | 8-contact WSON 6x5mm                |  |
|                 |                 | IS25WP016-JTLE                                   | IS25WP016-JTLE1 | 8-contact USON 4x3mm                |  |
|                 |                 | IS25WP016-JULE                                   | IS25WP016-JULE1 | 8-contact USON 2x3mm                |  |
|                 |                 | IS25WP016-JFLE                                   | IS25WP016-JFLE1 | 8-pin VSOP 208mil                   |  |
|                 |                 | IS25WP016-JMLE                                   | IS25WP016-JMLE1 | 16-pin SOIC 300mil                  |  |
|                 |                 | IS25WP016-JGLE                                   | IS25WP016-JGLE1 | 24-ball TFBGA 6x8mm                 |  |
|                 |                 | IS25WP016-RMLE                                   | IS25WP016-RMLE1 | 16-pin SOIC 300mil <sup>(2)</sup>   |  |
|                 |                 | IS25WP016-RGLE                                   | IS25WP016-RGLE1 | 24-ball TFBGA 6x8mm <sup>(2)</sup>  |  |
|                 |                 | IS25WP016-JBLA*                                  |                 | 8-pin SOIC 208mil (Call Factory)    |  |
|                 |                 | IS25WP016-JNLA*                                  |                 | 8-pin SOIC 150mil (Call Factory)    |  |
|                 |                 | IS25WP016-JVLA*                                  |                 | 8-pin VVSOP 150mil (Call Factory)   |  |
|                 |                 | IS25WP016-JKLA*                                  |                 | 8-contact WSON 6x5mm (Call Factory) |  |
|                 |                 | IS25WP016-JTLA*                                  |                 | 8-contact USON 4x3mm (Call Factory) |  |
|                 |                 | IS25WP016-JULA*                                  |                 | 8-contact USON 2x3mm (Call Factory) |  |
|                 |                 | IS25WP016-JFLA*                                  |                 | 8-pin VSOP 208mil (Call Factory)    |  |
|                 |                 | IS25WP016-JMLA*                                  |                 | 16-pin SOIC 300mil (Call Factory)   |  |
|                 |                 | IS25WP016-JGLA*                                  |                 | 24-ball TFBGA 6x8mm (Call Factory)  |  |
| IS25WP016-RMLA* |                 | 16-pin SOIC 300mil <sup>(2)</sup> (Call Factory) |                 |                                     |  |
| IS25WP016-RGLA* |                 | 24-ball TFBGA 6x8mm <sup>(2)</sup>               |                 |                                     |  |
| IS25WP016-JWLE  |                 | KGD (Call Factory)                               |                 |                                     |  |
| 8Mb             | 133             | IS25WP080-JBLE                                   | IS25WP080-JBLE1 | 8-pin SOIC 208mil                   |  |
|                 |                 | IS25WP080-JNLE                                   | IS25WP080-JNLE1 | 8-pin SOIC 150mil                   |  |
|                 |                 | IS25WP080-JVLE                                   | IS25WP080-JVLE1 | 8-pin VVSOP 150mi                   |  |
|                 |                 | IS25WP080-JKLE                                   | IS25WP080-JKLE1 | 8-contact WSON 6x5mm                |  |
|                 |                 | IS25WP080-JTLE                                   | IS25WP080-JTLE1 | 8-contact USON 4x3mm                |  |
|                 |                 | IS25WP080-JULE                                   | IS25WP080-JULE1 | 8-contact USON 2x3mm                |  |
|                 |                 | IS25WP080-JFLE                                   | IS25WP080-JFLE1 | 8-pin VSOP 208mil                   |  |
|                 |                 | IS25WP080-JBLA*                                  |                 | 8-pin SOIC 208mil (Call Factory)    |  |
|                 |                 | IS25WP080-JNLA*                                  |                 | 8-pin SOIC 150mil (Call Factory)    |  |
|                 |                 | IS25WP080-JVLA*                                  |                 | 8-pin VVSOP 150mil (Call Factory)   |  |
|                 |                 | IS25WP080-JKLA*                                  |                 | 8-contact WSON 6x5mm (Call Factory) |  |
|                 |                 | IS25WP080-JTLA*                                  |                 | 8-contact USON 4x3mm (Call Factory) |  |
|                 |                 | IS25WP080-JULA*                                  |                 | 8-contact USON 2x3mm (Call Factory) |  |
|                 |                 | IS25WP080-JFLA*                                  |                 | 8-pin VSOP 208mil (Call Factory)    |  |
|                 |                 | IS25WP080-JWLE                                   |                 | KGD (Call Factory)                  |  |

| Density        | Frequency (MHz) | Order Part Number <sup>(1)</sup> |                 | Package                             |
|----------------|-----------------|----------------------------------|-----------------|-------------------------------------|
| 4Mb            | 133             | IS25WP040-JBLE                   | IS25WP040-JBLE1 | 8-pin SOIC 208mil                   |
|                |                 | IS25WP040-JNLE                   | IS25WP040-JNLE1 | 8-pin SOIC 150mil                   |
|                |                 | IS25WP040-JVLE                   | IS25WP040-JVLE1 | 8-pin VVSOP 150mi                   |
|                |                 | IS25WP040-JKLE                   | IS25WP040-JKLE1 | 8-contact WSON 6x5mm                |
|                |                 | IS25WP040-JTLE                   | IS25WP040-JTLE1 | 8-contact USON 4x3mm                |
|                |                 | IS25WP040-JULE                   | IS25WP040-JULE1 | 8-contact USON 2x3mm                |
|                |                 | IS25WP040-JFLE                   | IS25WP040-JFLE1 | 8-pin VSOP 208mil                   |
|                |                 | IS25WP040-JBLA*                  |                 | 8-pin SOIC 208mil (Call Factory)    |
|                |                 | IS25WP040-JNLA*                  |                 | 8-pin SOIC 150mil (Call Factory)    |
|                |                 | IS25WP040-JVLA*                  |                 | 8-pin VVSOP 150mil (Call Factory)   |
|                |                 | IS25WP040-JKLA*                  |                 | 8-contact WSON 6x5mm (Call Factory) |
|                |                 | IS25WP040-JTLA*                  |                 | 8-contact USON 4x3mm (Call Factory) |
|                |                 | IS25WP040-JULA*                  |                 | 8-contact USON 2x3mm (Call Factory) |
|                |                 | IS25WP040-JFLA*                  |                 | 8-pin VSOP 208mil (Call Factory)    |
| IS25WP040-JWLE |                 | KGD (Call Factory)               |                 |                                     |
| 2Mb            | 133             | IS25WP020-JBLE                   | IS25WP020-JBLE1 | 8-pin SOIC 208mil                   |
|                |                 | IS25WP020-JNLE                   | IS25WP020-JNLE1 | 8-pin SOIC 150mil                   |
|                |                 | IS25WP020-JDLE                   | IS25WP020-JDLE1 | 8-pin TSSOP                         |
|                |                 | IS25WP020-JVLE                   | IS25WP020-JVLE1 | 8-pin VVSOP 150mil                  |
|                |                 | IS25WP020-JKLE                   | IS25WP020-JKLE1 | 8-contact WSON 6x5mm                |
|                |                 | IS25WP020-JULE                   | IS25WP020-JULE1 | 8-contact USON 2x3mm                |
|                |                 | IS25WP020-JBLA*                  |                 | 8-pin SOIC 208mil (Call Factory)    |
|                |                 | IS25WP020-JNLA*                  |                 | 8-pin SOIC 150mil (Call Factory)    |
|                |                 | IS25WP020-JDLA*                  |                 | 8-pin TSSOP (Call Factory)          |
|                |                 | IS25WP020-JVLA*                  |                 | 8-pin VVSOP 150mil (Call Factory)   |
|                |                 | IS25WP020-JKLA*                  |                 | 8-contact WSON 6x5mm (Call Factory) |
|                |                 | IS25WP020-JULA*                  |                 | 8-contact USON 2x3mm (Call Factory) |
|                |                 | IS25WP020-JWLE                   |                 | KGD (Call Factory)                  |

**Notes:**

1. A\* = A1, A2, A3: Meets AEC-Q100 requirements with PPAP, E1= Extended+ non-Auto qualified

Temp Grades: E= -40 to 105°C, E1= -40 to 125°C, A1= -40 to 85°C, A2= -40 to 105°C, A3= -40 to 125°C

2. The dedicated parts have additional RESET# pin on pin3.