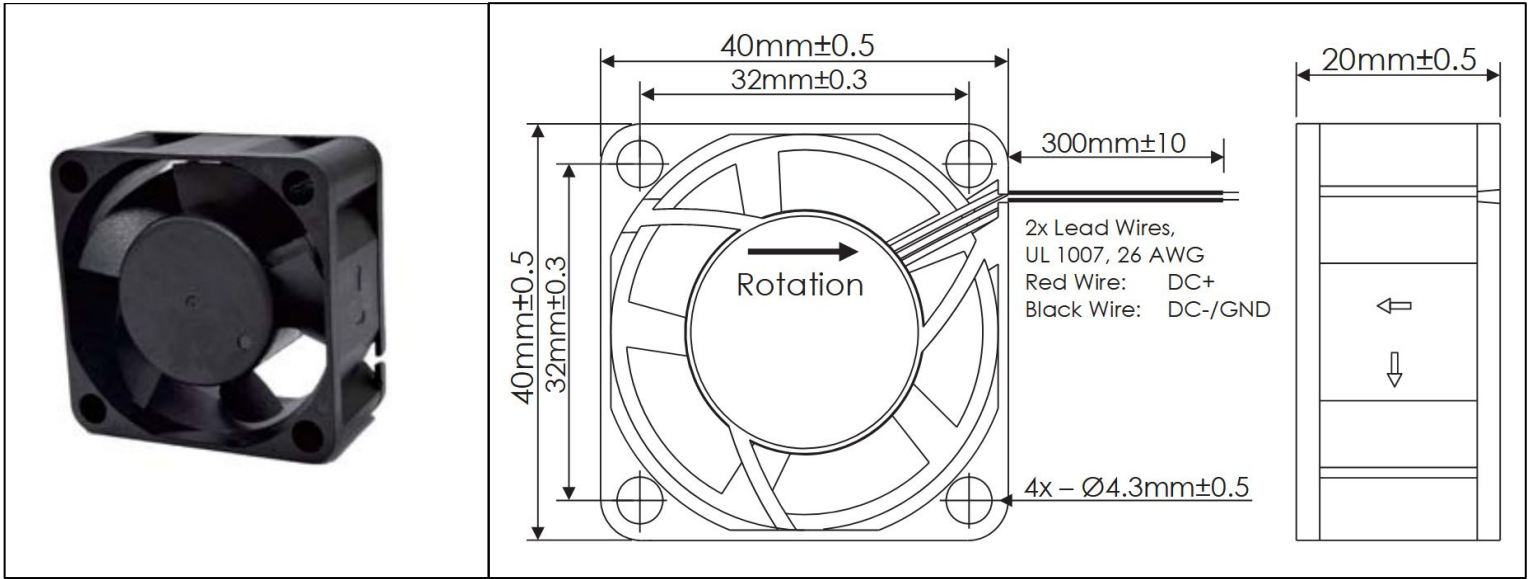


# OD4020 Sealed Sleeve Series



DC Fans - 5, 12, 24V  
40mm x 20mm (1.58" x 0.79")



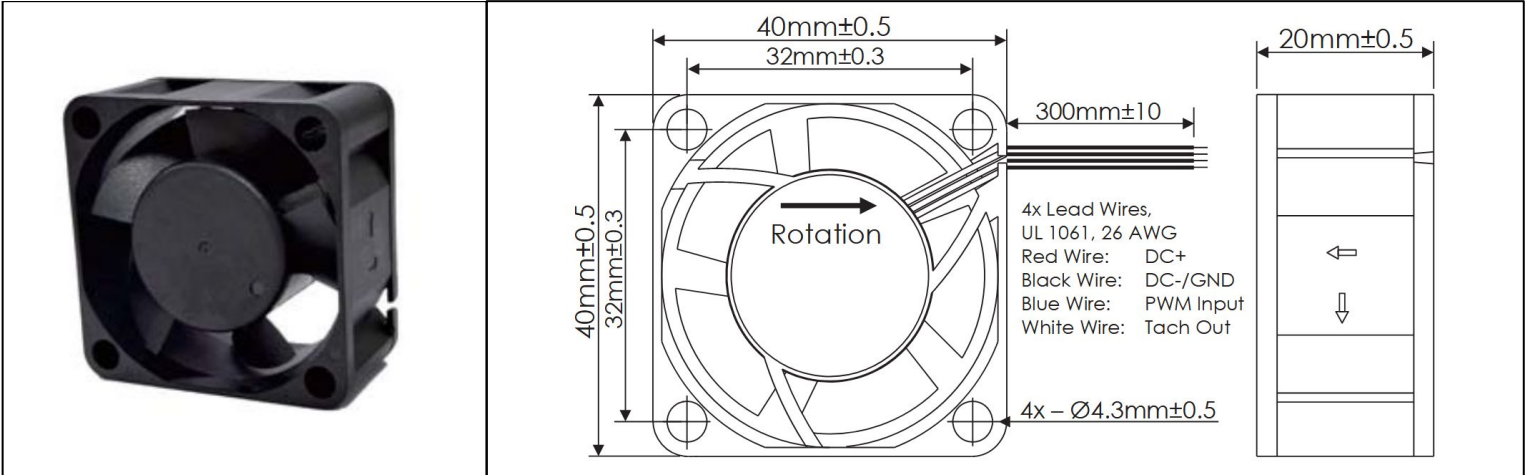
<b>Frame</b>	PBT, UL94 V-0 Plastic	<b>Operating Temperature</b> -20°C ~ +65°C	
<b>Impeller</b>	PBT, UL94 V-0 Plastic		
<b>Connection</b>	2x Wire Leads, 26 AWG	<b>Storage Temperature</b> -20°C ~ +75°C	
<b>Motor</b>	Brushless DC, Auto Cutoff, Auto Restart, Electronically Protected, Polarity Protected	<b>Life Expectancy</b> 50,000 Hours (L10 at 45°C)	
<b>Bearing System</b>	Sealed Sleeve	<b>Available Options</b> Tachometer Output Alarm Output IP Ratings	
<b>Dielectric Strength</b>	500VDC/min, <1mA	<b>Weight:</b> 0.07 lbs	
<b>Insulation Resistance</b>	≥10MΩ @ 500V DC		

Part Number	Rated Voltage (Volts DC)	Voltage Range (Volts DC)	Input Power (Watts)	Rated Current (Amps)	Rated Speed (RPM)	Max Airflow (CFM)	Noise Level (dBA)	Max Static Pressure ("H <sub>2</sub> O)
OD4020-05HSS	5	4.5 ~ 5.5	1.60	0.23 ~ 0.32	7780	8.7	32.1	0.32
OD4020-05MSS	5	4.5 ~ 5.5	1.20	0.20 ~ 0.23	6475	7.5	30.3	0.17
OD4020-05LSS	5	4.5 ~ 5.5	0.90	0.16 ~ 0.18	5150	6.5	24.1	0.14
OD4020-12HSS	12	8 ~ 13.8	1.30	0.10 ~ 0.21	8190	8.7	32.1	0.32
OD4020-12MSS	12	8 ~ 13.8	1.20	0.08 ~ 0.10	6475	7.5	30.3	0.17
OD4020-12LSS	12	8 ~ 13.8	0.98	0.06 ~ 0.08	5150	6.5	24.1	0.14
OD4020-24HSS	24	14 ~ 26.4	1.72	0.07 ~ 0.09	8190	8.7	32.1	0.32
OD4020-24MSS	24	14 ~ 26.4	1.70	0.05 ~ 0.07	6475	7.5	30.3	0.17
OD4020-24LSS	24	14 ~ 26.4	1.20	0.04 ~ 0.05	5150	6.5	24.1	0.14

# OD4020 Sealed Sleeve Series with PWM and Tach

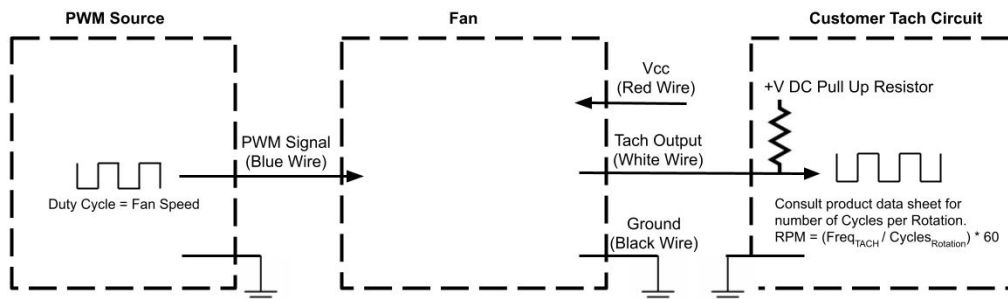


DC Fans - 5, 12, 24V  
40mm x 20mm (1.58" x 0.79")



<b>Frame</b>	PBT, UL94 V-0 Plastic	<b>Operating Temperature</b> -20°C ~ +65°C
<b>Impeller</b>	PBT, UL94 V-0 Plastic	
<b>Connection</b>	4x Wire Leads, 26 AWG	<b>Storage Temperature</b> -20°C ~ +75°C
<b>Motor</b>	Brushless DC, Auto Cutoff, Auto Restart, Electronically Protected, Polarity Protected	
<b>Bearing System</b>	Sealed Sleeve	<b>Life Expectancy</b> 50,000 Hours (L10 at 45°C)
<b>Dielectric Strength</b>	500VDC/min, <1mA	
<b>Insulation Resistance</b>	≥10MΩ @ 500V DC	<b>Installed Options</b> PWM Speed Control Input Open Collector Tach Output
		<b>Weight:</b> 0.07 lbs

Part Number	Rated Voltage (Volts DC)	Voltage Range (Volts DC)	Input Power (Watts)	Rated Current (Amps)	Rated Speed (RPM)	Max Airflow (CFM)	Noise Level (dBA)	Max Static Pressure ("H2O)
OD4020-05HSS10A	5	4.5 ~ 5.5	1.60	0.23 ~ 0.32	7780	8.7	32.1	0.32
OD4020-05MSS10A	5	4.5 ~ 5.5	1.20	0.20 ~ 0.23	6475	7.5	30.3	0.17
OD4020-05LSS10A	5	4.5 ~ 5.5	0.90	0.16 ~ 0.18	5150	6.5	24.1	0.14
OD4020-12HSS10A	12	8 ~ 13.8	1.30	0.10 ~ 0.21	8190	8.7	32.1	0.32
OD4020-12MSS10A	12	8 ~ 13.8	1.20	0.08 ~ 0.10	6475	7.5	30.3	0.17
OD4020-12LSS10A	12	8 ~ 13.8	0.98	0.06 ~ 0.08	5150	6.5	24.1	0.14
OD4020-24HSS10A	24	14 ~ 26.4	1.72	0.07 ~ 0.09	8190	8.7	32.1	0.32
OD4020-24MSS10A	24	14 ~ 26.4	1.70	0.05 ~ 0.07	6475	7.5	30.3	0.17
OD4020-24LSS10A	24	14 ~ 26.4	1.20	0.04 ~ 0.05	5150	6.5	24.1	0.14

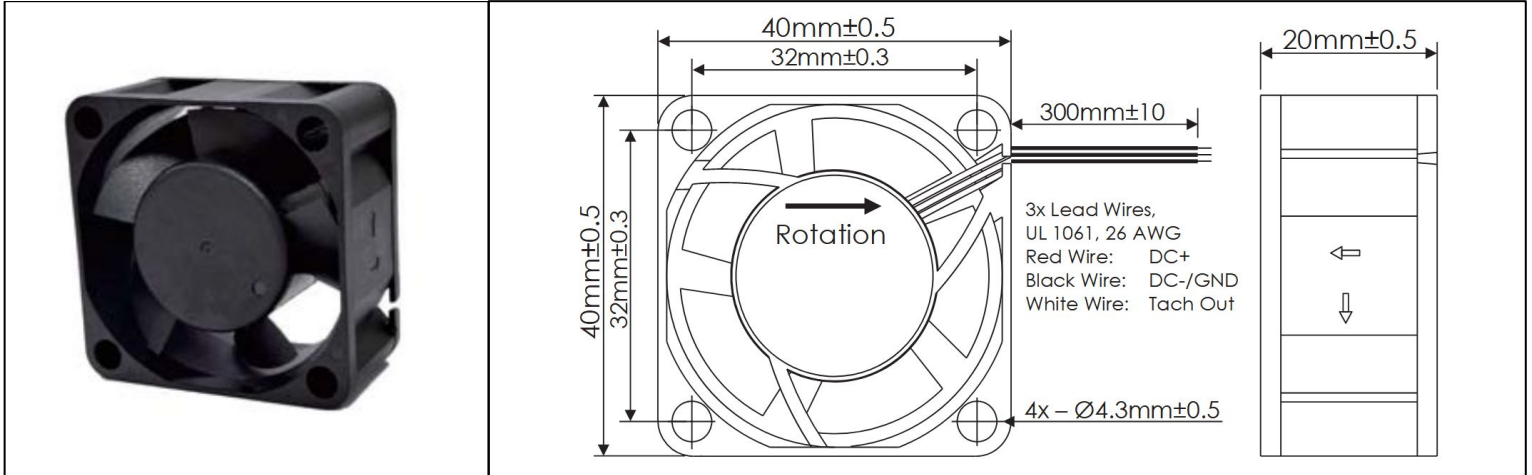


PWM Max High Voltage: 5V  
 PWM Max Sink Current: 5mA  
 PWM Frequency Range: 1KHz-40KHz  
 PWM Typical Frequency: 25KHz  
 RPM at 0% Duty Cycle: 0 RPM  
 RPM will be full speed if PWM input is disconnected.  
 RPM will be 0 RPM if PWM input is grounded.  
 Tach Max Pullup Voltage: Fan Vcc  
 Tach Max Sink Current: 5mA  
 Tach Cycles per Rotation: 2

# OD4020 Sealed Sleeve Series with Tach



DC Fans - 5, 12, 24V  
40mm x 20mm (1.58" x 0.79")



Frame	PBT, UL94 V-0 Plastic	<b>Operating Temperature</b> -20°C ~ +65°C
Impeller	PBT, UL94 V-0 Plastic	
Connection	3x Wire Leads, 26 AWG	<b>Storage Temperature</b> -20°C ~ +75°C
Motor	Brushless DC, Auto Cutoff, Auto Restart, Electronically Protected, Polarity Protected	
Bearing System	Sealed Sleeve	<b>Life Expectancy</b> 50,000 Hours (L10 at 45°C)
Dielectric Strength	500VDC/min, <1mA	
Insulation Resistance	≥10MΩ @ 500V DC	<b>Installed Options</b> Open Collector Tach Output
		Weight: 0.07 lbs

Part Number	Rated Voltage (Volts DC)	Voltage Range (Volts DC)	Input Power (Watts)	Rated Current (Amps)	Rated Speed (RPM)	Max Airflow (CFM)	Noise Level (dBA)	Max Static Pressure ("H2O)
OD4020-05HSS01A	5	4.5 ~ 5.5	1.60	0.23 ~ 0.32	7780	8.7	32.1	0.32
OD4020-05MSS01A	5	4.5 ~ 5.5	1.20	0.20 ~ 0.23	6475	7.5	30.3	0.17
OD4020-05LSS01A	5	4.5 ~ 5.5	0.90	0.16 ~ 0.18	5150	6.5	24.1	0.14
OD4020-12HSS01A	12	8 ~ 13.8	1.30	0.10 ~ 0.21	8190	8.7	32.1	0.32
OD4020-12MSS01A	12	8 ~ 13.8	1.20	0.08 ~ 0.10	6475	7.5	30.3	0.17
OD4020-12LSS01A	12	8 ~ 13.8	0.98	0.06 ~ 0.08	5150	6.5	24.1	0.14
OD4020-24HSS01A	24	14 ~ 26.4	1.72	0.07 ~ 0.09	8190	8.7	32.1	0.32
OD4020-24MSS01A	24	14 ~ 26.4	1.70	0.05 ~ 0.07	6475	7.5	30.3	0.17
OD4020-24LSS01A	24	14 ~ 26.4	1.20	0.04 ~ 0.05	5150	6.5	24.1	0.14

