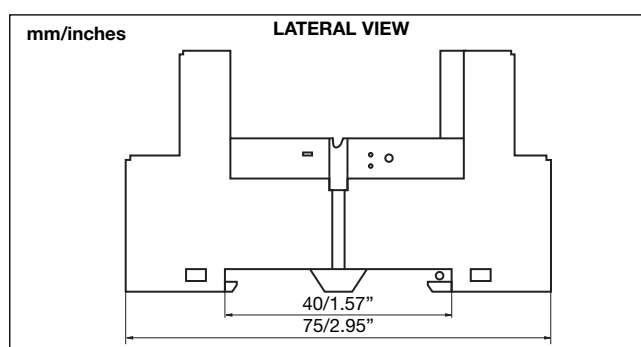
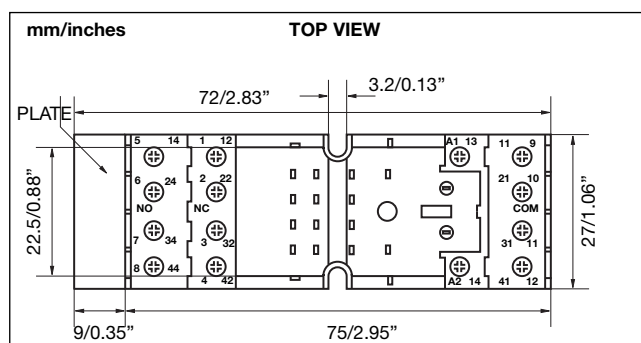


Sockets for RMI Relays

ZMI 2NA - ZMI 4NA



General data

Socket Material	PA66 +GF - V2
Socket colour	RAL 7035 / Pantone 1C
Contact Material	Cu Ni
Contact surface	5µm tin plated
Terminals	8µm zinc plated steel
Terminal type	Screw cage
Screws	5µm nickel plated 8.8 steel
Screw type	M3 with combi head (slotted, Philips Gr.1, Pozi)

Ratings	10A 300VAC
UL Rating	10A x 2 or 5A x 4 @ 300VAC
Operating temp.	-25° to +70°C (-13° to +158°F)
Insulation voltage	>4kV
Creepage and Clearance	Gr.C250, VDE 0110b / 2.79
Maximum Screw torque	1.0N/m
Max Wire section	
Flex / compact wire	2 x 2.5mm ² (14AWG)
Cable End	2 x 1.5mm ² (16AWG)
Terminal Protection degree	IP 20 (EN60529)

Approvals



Ordering code 2 contacts version for RMI A 2 10 xxx with Plastic hold down spring :
 Ordering code 4 contacts version for RMI A 4 5 xxx with Plastic hold down spring :
 Ordering code 2 contacts version for RMI A 2 10 xxx with Metal hold down spring :
 Ordering code 4 contacts version for RMI A 4 5 xxx with Metal hold down spring :

ZMI2NA / ZMI4NA
 ZMI4NA
 ZMI2NA-M / ZMI4NA-M
 ZMI4NA-M

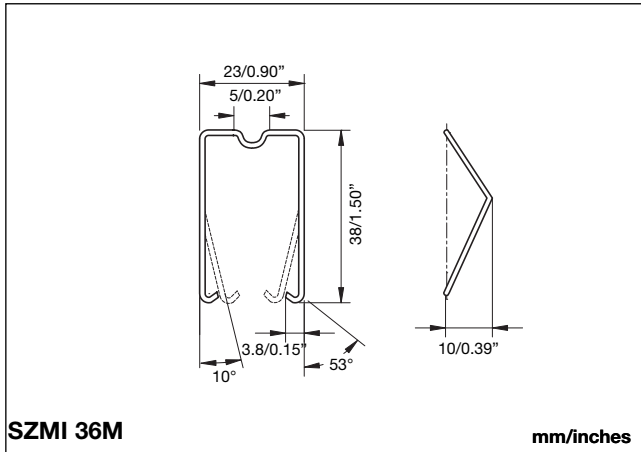
Box content: 10 sockets, 10 labels, 10 Plastic hold down springs
 Box size: (W 155 x D 165 x H 70) mm Weight: 750g
 (W 6.10 x D 6.50 x H 2.75) inches Weight: 26.45oz

Optional Accessories (to be ordered separately if required)

Metal spare hold down Spring	SZMI36M	Labels	6.73.00.61.3
Plastic spare hold down Spring	SZMI35	Bridging bar	ZMI-BB
Plastic spare hold down Spring	6.73.00.61.4	Modules	

Optional Springs for ZMI series

SZMI 36M



General data

Spring material

Stainless steel

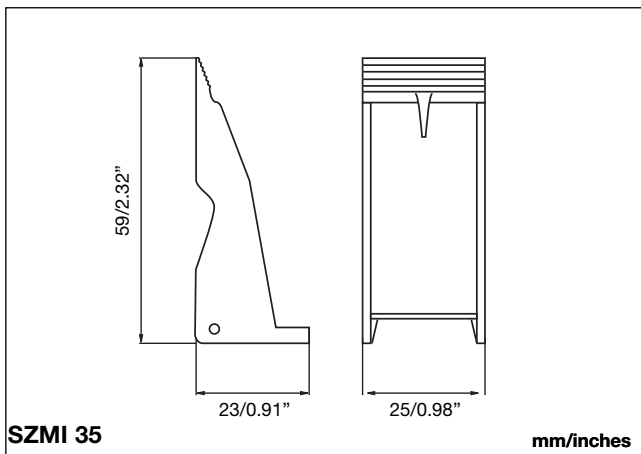
Packaging

Box content: 1 plastic bag, 10pcs.

Weight: ~5g (0.18oz)

RoHS
COMPLIANT

SZMI 35



General data

Spring material

PA66 + GF (V0)

Spring colour

RAL 7035 / Pantone 1C

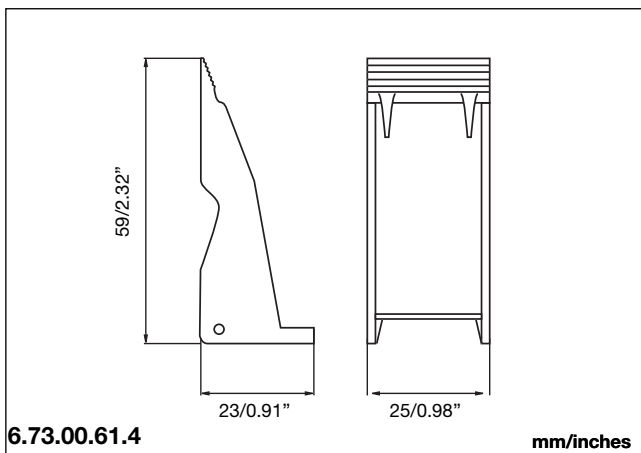
Packaging

Box content: 1 plastic bag, 10pcs.

Weight: ~20g (0.70oz)

RoHS
COMPLIANT

6.73.00.61.4



General data

Spring material

PA6 + GF (V2)

Spring colour

RAL 7035 / Pantone 1C

Packaging

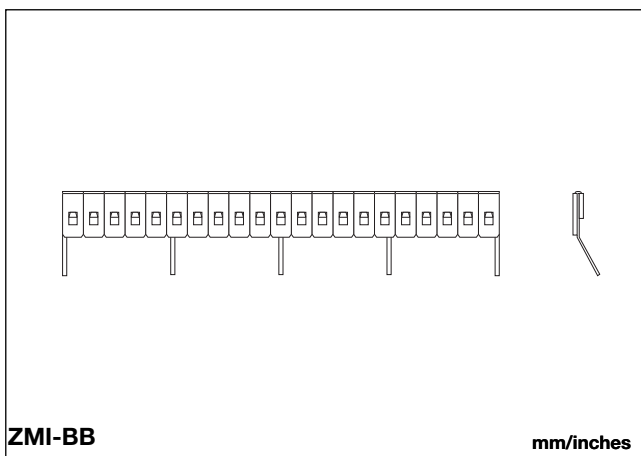
Box content: 1 plastic bag, 10pcs.

Weight: ~20g (0.70oz)

RoHS
COMPLIANT

Optional sockets bridging bars

ZMI-BB



General data

Plastic insulator material	PA66 + GF (V0)
Plastic insulator colour	Black
Metal jumper	Tinned copper

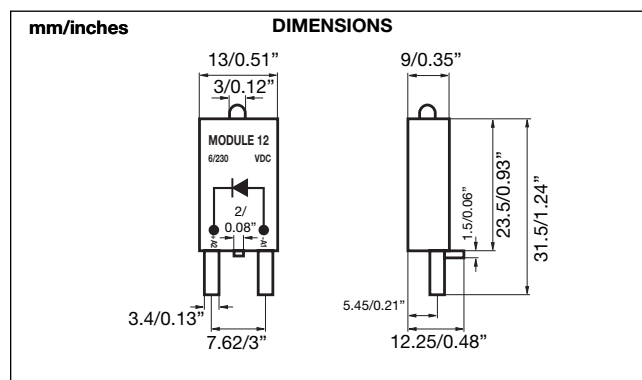
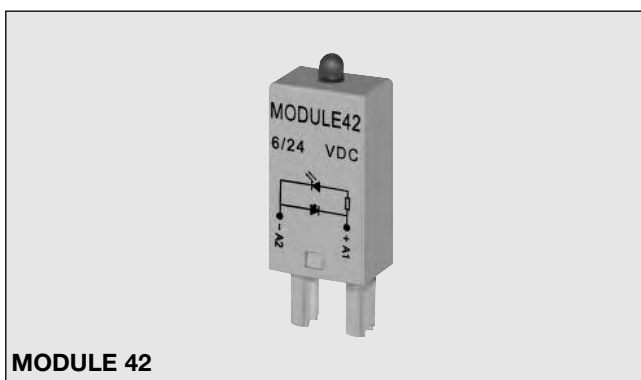
Packaging

Box content: 1 plastic bag, 10pcs.
Weight: ~50g (~1.76oz)



Optional Function Modules

Modules for ZMI and ZD sockets



Approvals



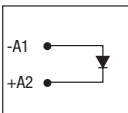
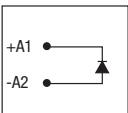
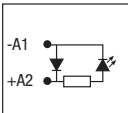
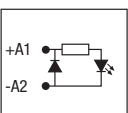
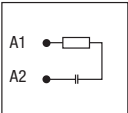
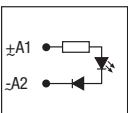
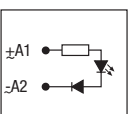
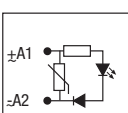
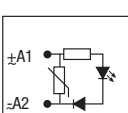
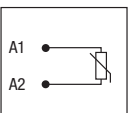
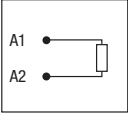
General data

Module material	PA66+GF (V0)
Module colour	RAL 7035 / Pantone 1C

Packaging

Box content: 1 bag, 100pcs.
Box size: W 160 x D 70 x H 80 mm Weight: ~350g
(W 6.30 x D 2.75 x H 3.15) inches Weight: ~12.3oz

Types and electrical configurations

Diagram	Type	Description	Operating voltage	LED Colour	Ordering code		Notes
					ZMI, ZD, ZDM Sockets	ZPD9, ZPD11	
	12	Free wheeling diode A2 +	6 / 230VDC	n.a.	MODULE12	MODULE11	Only for DC relays
	22	Free wheeling diode A1 +	6 / 230VDC	n.a.	MODULE22	MODULE21	
	32	Free wheeling diode A2 +, with LED	6 / 24VDC	Red	MODULE32	n.a.	
			24 / 60VDC		MODULE32B		
			110 / 230VDC		MODULE32C		
			6 / 24VDC	Green**	MODULE32/G		
			24 / 60VDC		MODULE32B/G		
			110 / 230VDC		MODULE32C/G		
	42	Free wheeling diode A1 +, with LED	6 / 24VDC	Red	MODULE42		
			24 / 60VDC		MODULE42B		
			110 / 230VDC		MODULE42C		
			6 / 24VDC	Green**	MODULE42/G		
			24 / 60VDC		MODULE42B/G		
			110 / 230VDC		MODULE42C/G		
	52	RC Filter	110/240VAC	n.a.	MODULE52	MODULE51	Only for AC relays
		RC Filter	6 / 24VAC		MODULE52B	MODULE51B	
		RC Filter	24 / 60VAC		MODULE52D	MODULE51D	
	62	Signalling LED	6 / 24V	Red	MODULE62	n.a.	Can work with AC and DC Relays
	92		24 / 60V		MODULE62E		
			110 / 230V		MODULE92		
	62	Signalling LED	6 / 24V	Green**	MODULE62/G		
	92		24 / 60V		MODULE62E/G		
			110 / 230V		MODULE92/G		
	62	Signalling LED, with Varistor	6 / 24V	Red	MODULE62C		
	92		24 / 60V		MODULE62D		
			110 / 230V		MODULE92C		
	62	Signalling LED, with Varistor	6 / 24V	Green**	MODULE62C/G		
	92		24 / 60V		MODULE62D/G		
			110 / 230V		MODULE92C/G		
	72	Varistor	6 / 24VAC	n.a.	MODULE72	MODULE71	
	82		115VAC		MODULE72A	MODULE71A	
			230VAC		MODULE82	MODULE81	
	102	Resistor	110 / 230VAC	n.a.	MODULE102	n.a.	

** Non standard devices normally not in stock and production upon request

Installation Operations

